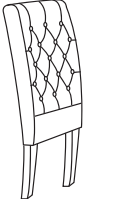








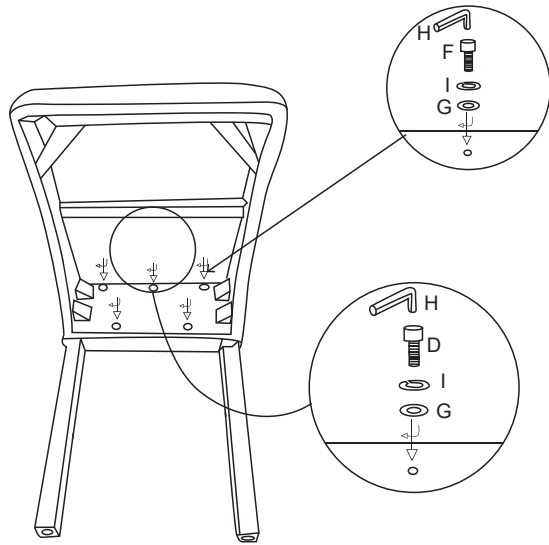


	Ax1 BACK	Bx1 SEAT	Cx2 LONE LEG	Dx1 SCROWS	Ex4 SCROWS	Fx4 SCROWS	Gx9 WASHER	Hx4 SPANNER	Ix9 SPRING
				 M8x55mm	 M8x60mm	 M8x80mm			

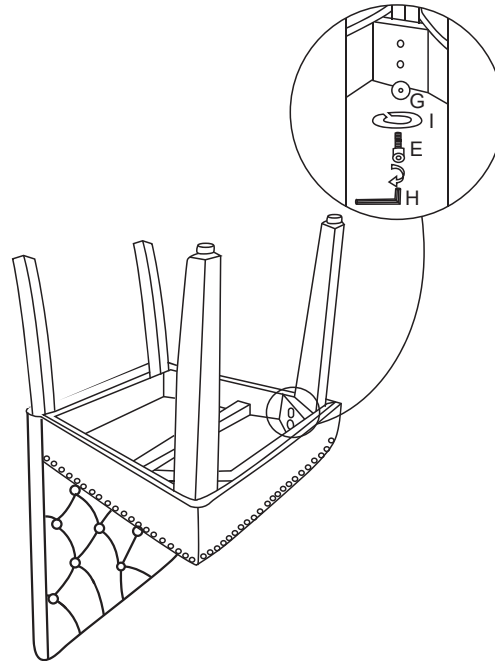
STEP1



Loosely install the center bolt first, then loosely install both sides

STEP2

Firm pressure is required to push legs into the leg pockets



Tighten all bolts properly on even ground

ASSEMBLY INSTRUCTION

