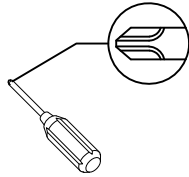


AI-CBN081WH/BK



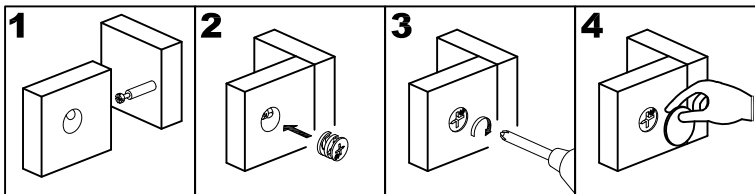
General Assembly Guidelines

- I. Ensure that all parts and hardware are available before beginning assembly.
- II. Follow each step carefully to ensure the proper assembly of this product.
- III. Two people are recommended for ease in the assembly of this product.
- VI. A Phillips head screwdriver is required for the assembly of this product .

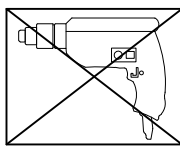


V. HOW THE KNOCK DOWN (KD) ASSEMBLY SYSTEM WORKS

- 1.Screw the Cam Bolt into the pre-drilled hole on the panel. Make sure Cam Bolt goes into the pre-drilled hole on the end of panel for Cam Lock.
- 2.Insert the Cam Lock into the pre-drilled large hole on the panel. Make sure the arrow on the face of Cam Lock points towards Cam Bolt.
- 3.Take a Phillips screwdriver and rotate the Cam Lock clockwise to lock the Cam Bolt.
- 4.Use the sticker to conceal the Cam.

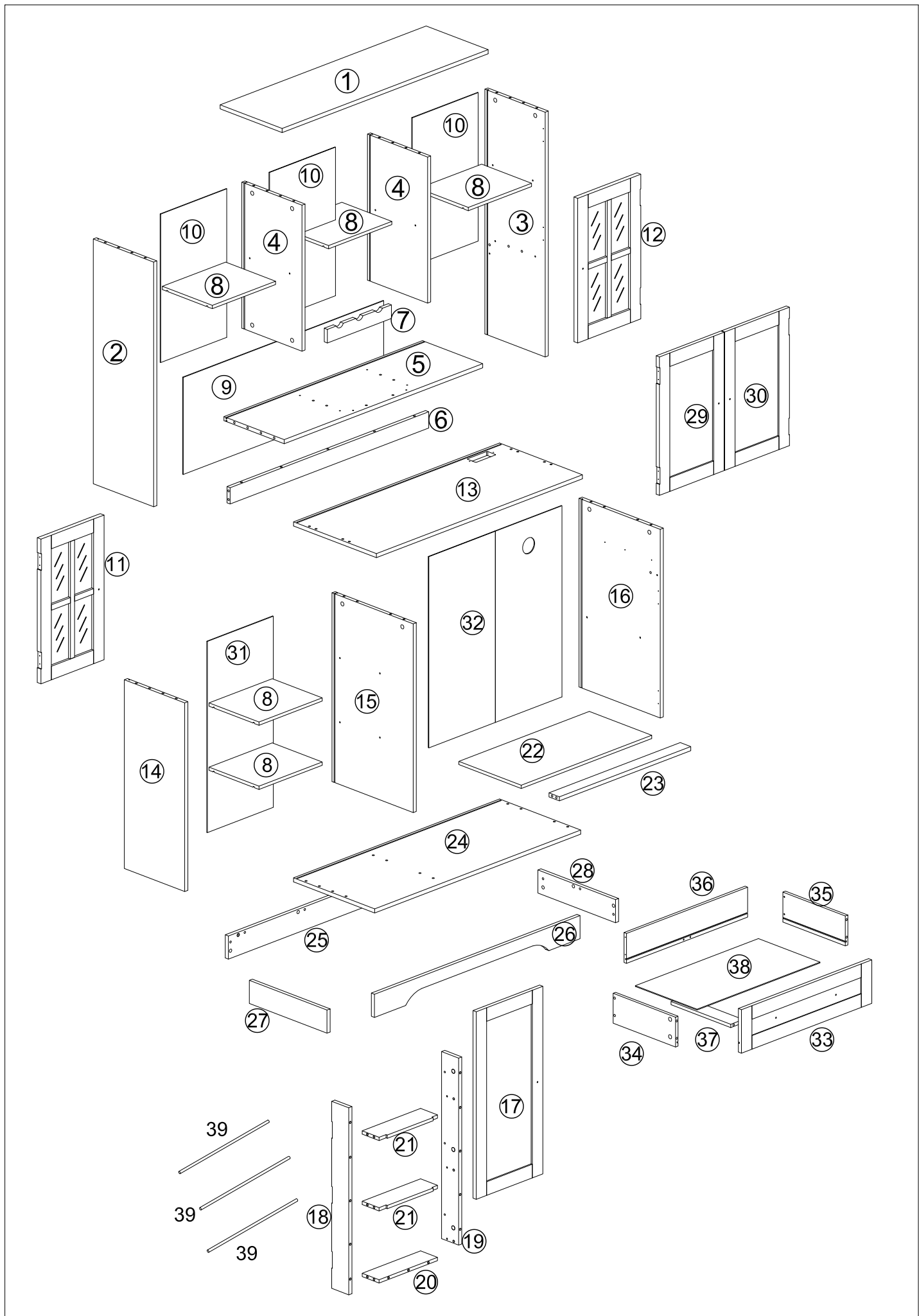


- VI. Power tools should not be used to assemble this product .

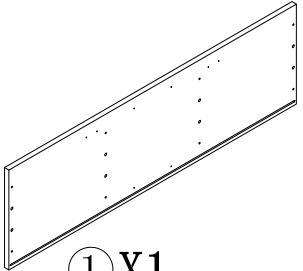
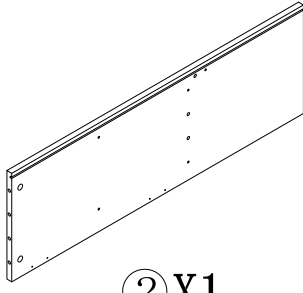
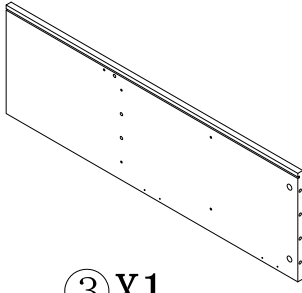
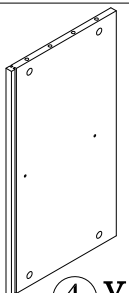
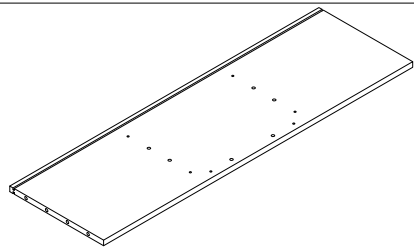
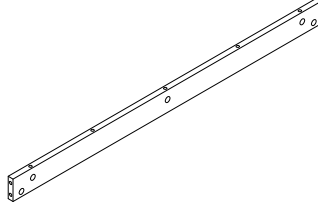
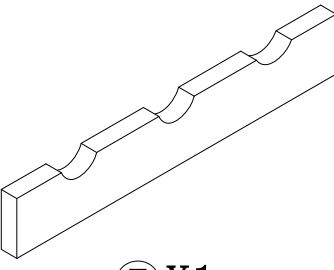
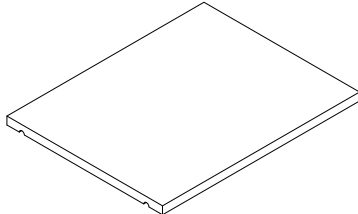
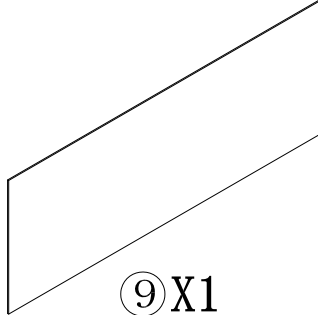
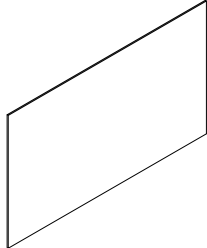
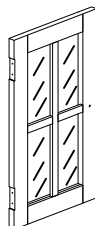
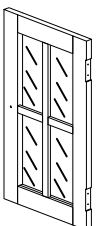
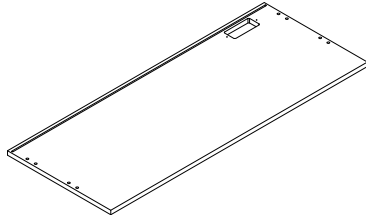

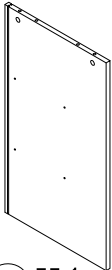

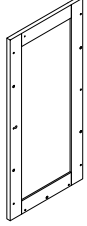
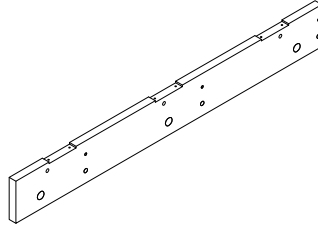


- VII. Two people are required to install this product

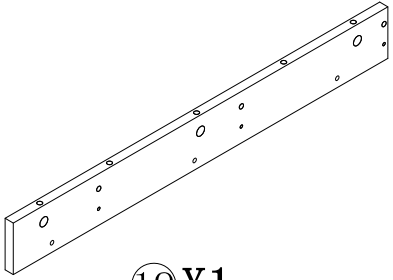
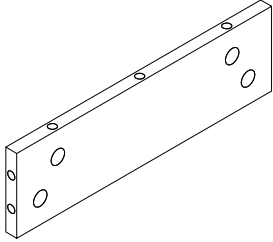
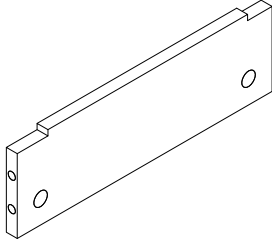
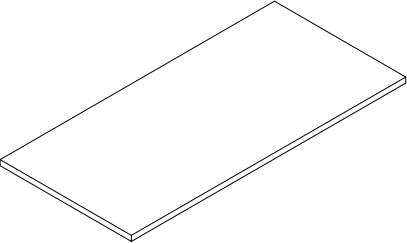
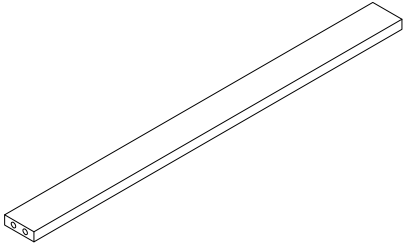
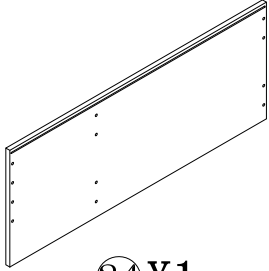
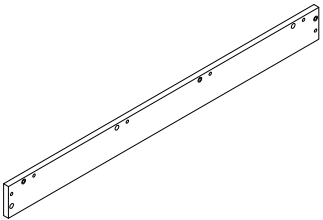
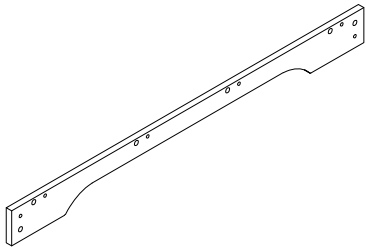
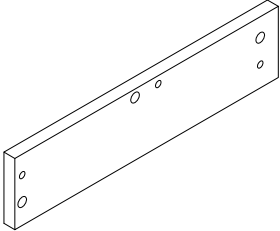
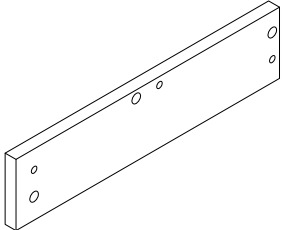
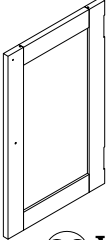
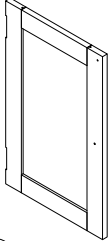

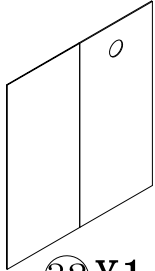
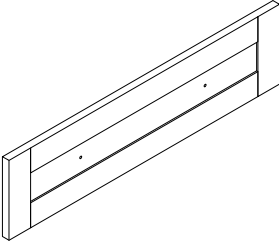
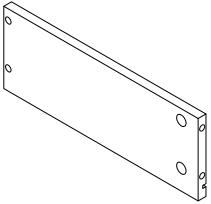
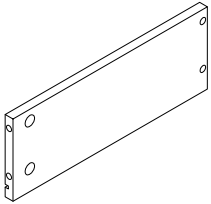
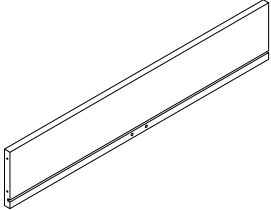




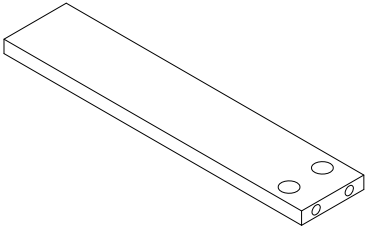
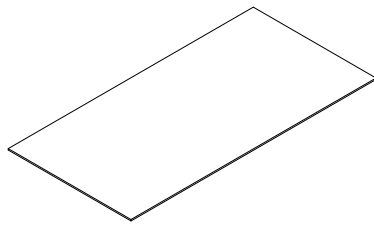
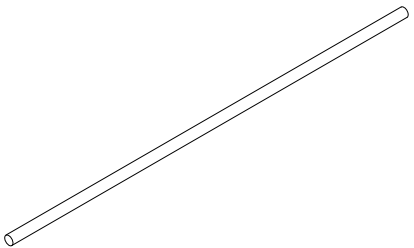
PRODUCT PARTS:

 <p>① X1</p>	 <p>② X1</p>	 <p>③ X1</p>
 <p>④ X2</p>	 <p>⑤ X1</p>	 <p>⑥ X1</p>
 <p>⑦ X1</p>	 <p>⑧ X5</p>	 <p>⑨ X1</p>
 <p>⑩ X3</p>	 <p>⑪ X1</p>	 <p>⑫ X1</p>
 <p>⑬ X1</p>	 <p>⑭ X1</p>	 <p>⑮ X1</p>
 <p>⑯ X1</p>	 <p>⑰ X1</p>	 <p>⑱ X1</p>

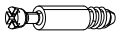



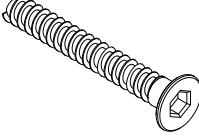

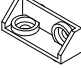

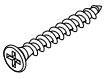
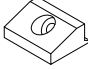
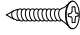


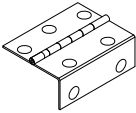
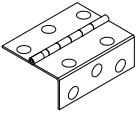



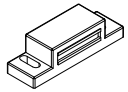
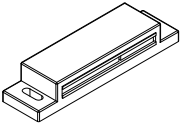
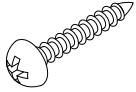
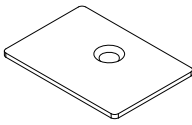
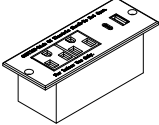
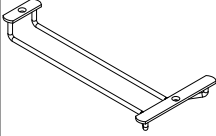
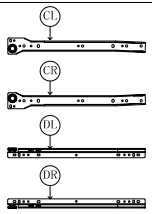
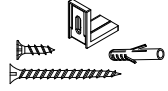
PRODUCT PARTS:

 <p>⑲X1</p>	 <p>⑳X1</p>	 <p>㉑X2</p>
 <p>㉒X1</p>	 <p>㉓X1</p>	 <p>㉔X1</p>
 <p>㉕X1</p>	 <p>㉖X1</p>	 <p>㉗X1</p>
 <p>㉘X1</p>	 <p>㉙X1</p>	 <p>㉚X1</p>
 <p>㉛X1</p>	 <p>㉜X1</p>	 <p>㉝X1</p>
 <p>㉞X1</p>	 <p>㉟X1</p>	 <p>㊱X1</p>

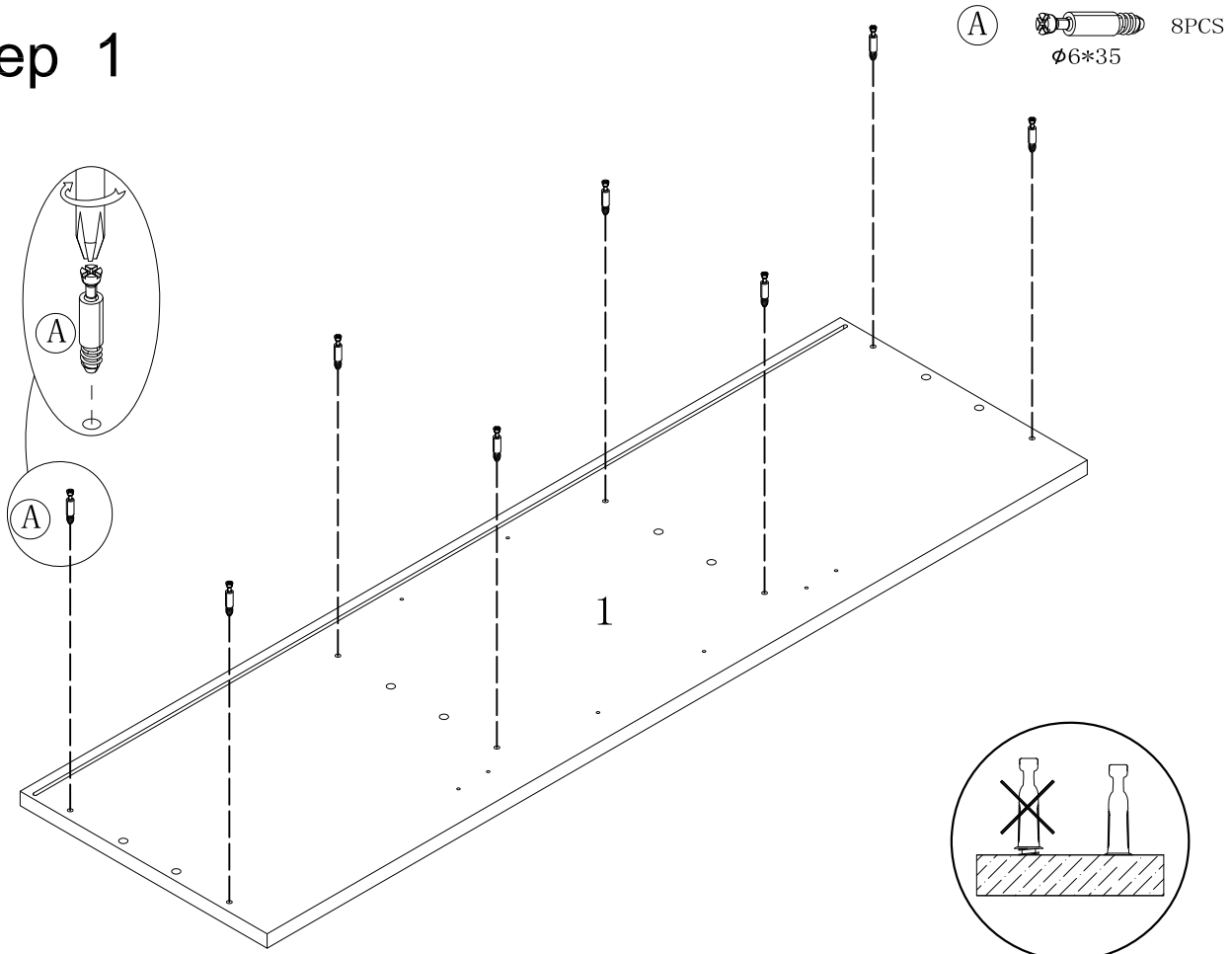
PRODUCT PARTS:

 <p>37 X1</p>	 <p>38 X1</p>	 <p>39 X3</p>
--	--	--

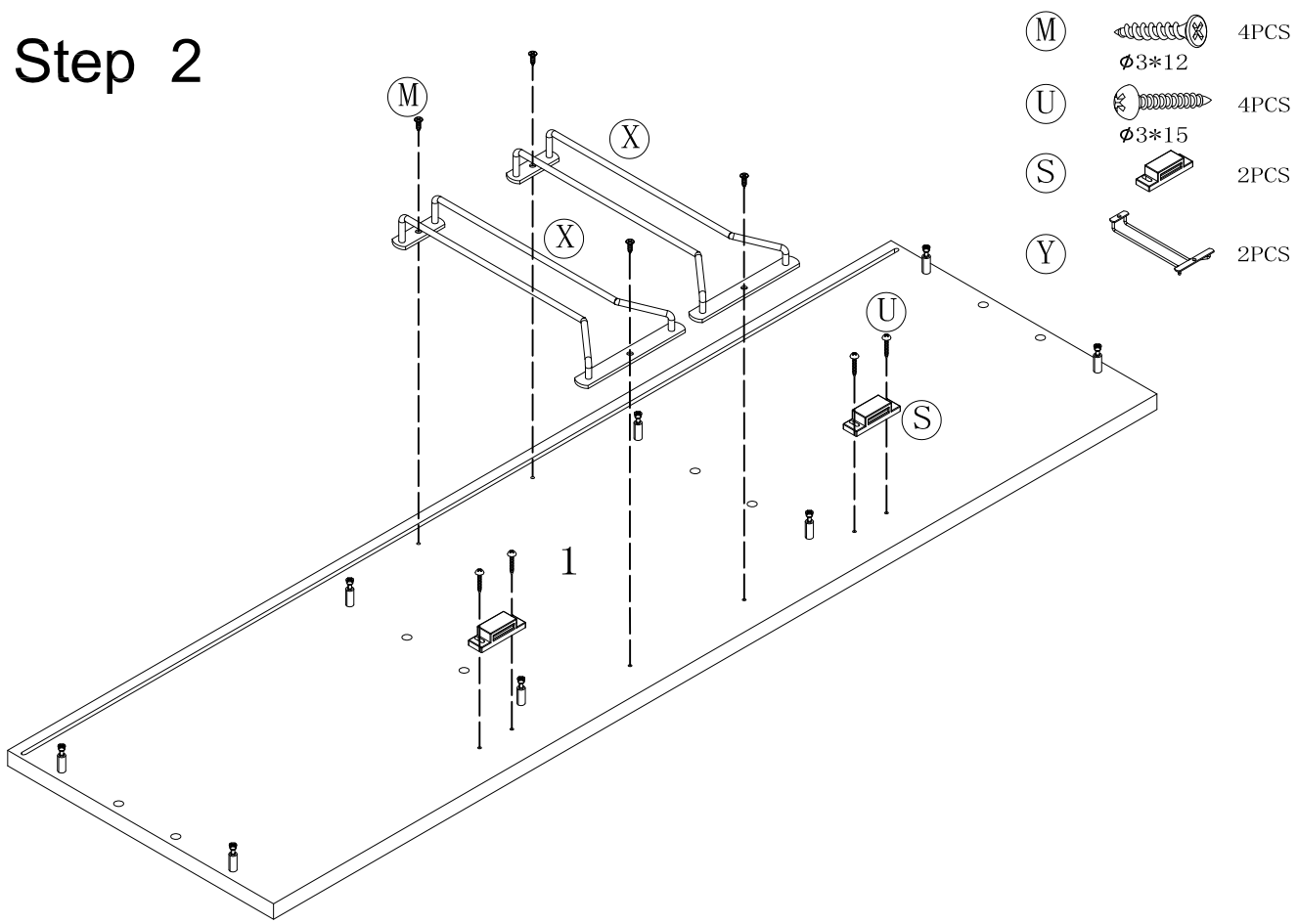
HARDWARE :

A	B	C	D	E	F
 <p>φ6*35</p> <p>51PCS</p>	 <p>φ15*12</p> <p>37PCS</p>	 <p>φ15*10</p> <p>14PCS</p>	 <p>φ8*30</p> <p>51PCS</p>	 <p>φ6*50</p> <p>10PCS</p>	 <p>M4</p> <p>1PC</p>
G	H	I	J	K	L
 <p>14PCS</p>	 <p>M6*12mm</p> <p>28PCS</p>	 <p>φ4*32</p> <p>6PCS</p>	 <p>40PCS</p>	 <p>φ3*17</p> <p>40PCS</p>	 <p>φ5*16</p> <p>24PCS</p>
M	N	O	P	Q	R
 <p>φ3*12</p> <p>67PCS</p>	 <p>4PCS</p>	 <p>7PCS</p>	 <p>M4*22</p> <p>7PCS</p>	 <p>7PCS</p>	 <p>φ30</p> <p>51PCS</p>
S	T	U	V	W	X
 <p>3PCS</p>	 <p>1PCS</p>	 <p>φ3*15</p> <p>8PCS</p>	 <p>5PCS</p>	 <p>1PCS</p>	 <p>2PCS</p>
Y	Z				
 <p>1PCS</p>	 <p>2PCS</p>				

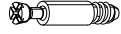
Step 1

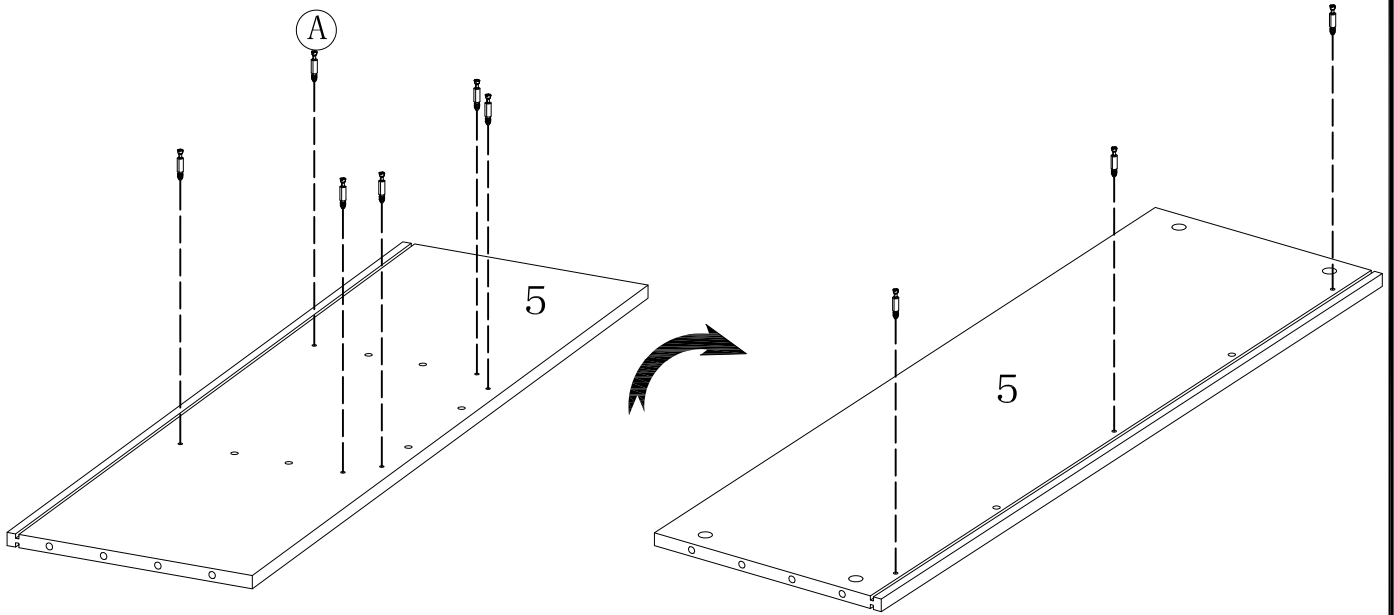


Step 2




Step 3


(A)  9PCS
Ø6*35

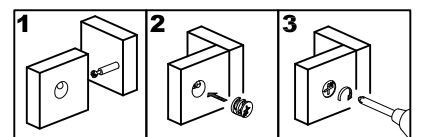
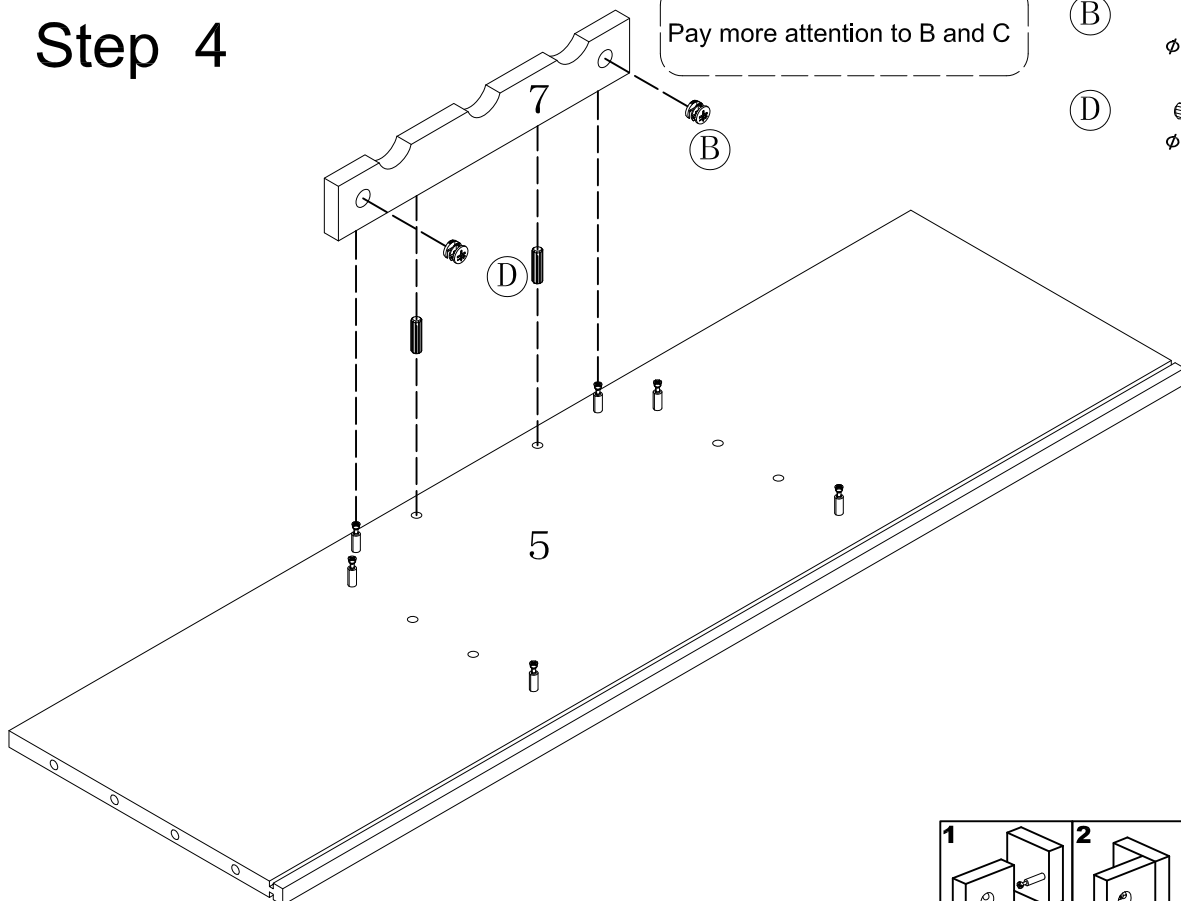


Step 4

Pay more attention to B and C



(B)  2PCS
Ø15*12

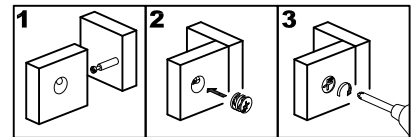
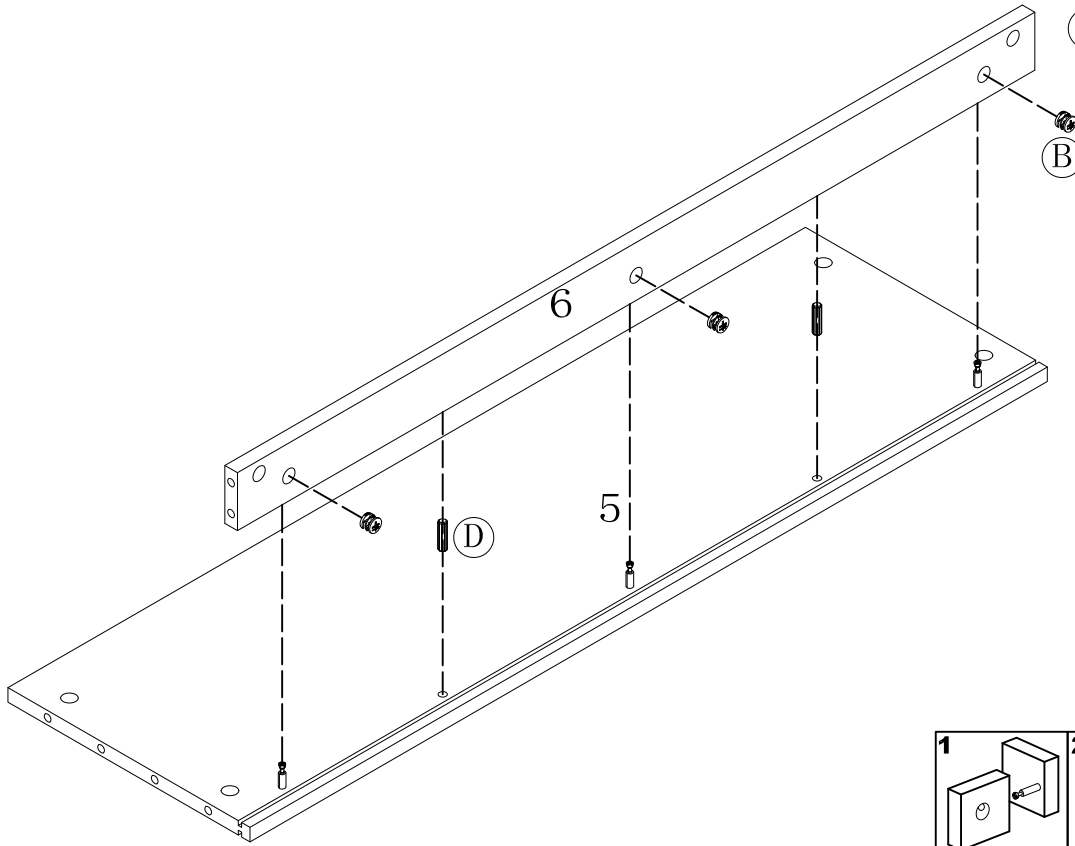
(D)  2PCS
Ø8*30



Step 5



Pay more attention to B and C

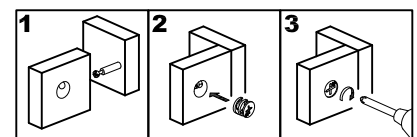
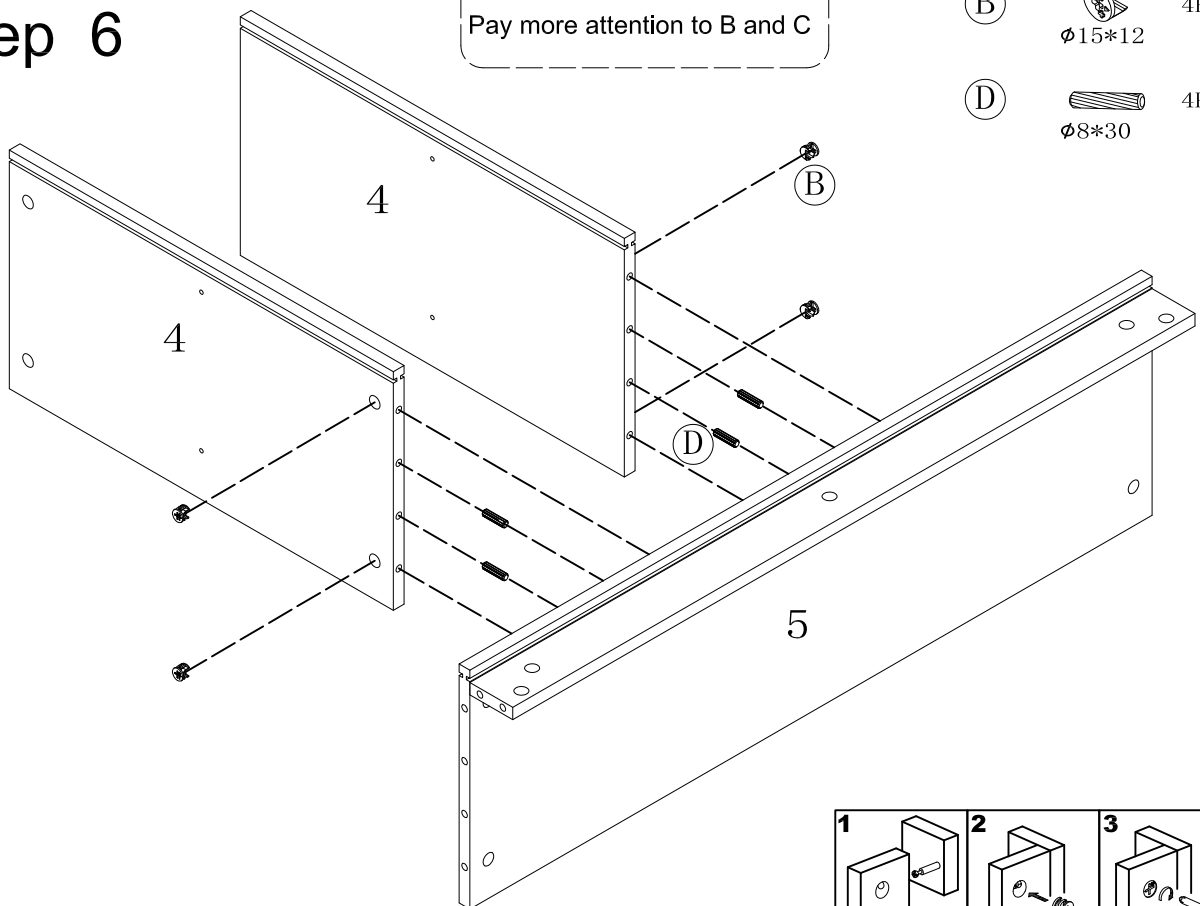
- (B)  3PCS
Ø15*12
- (D)  2PCS
Ø8*30



Step 6

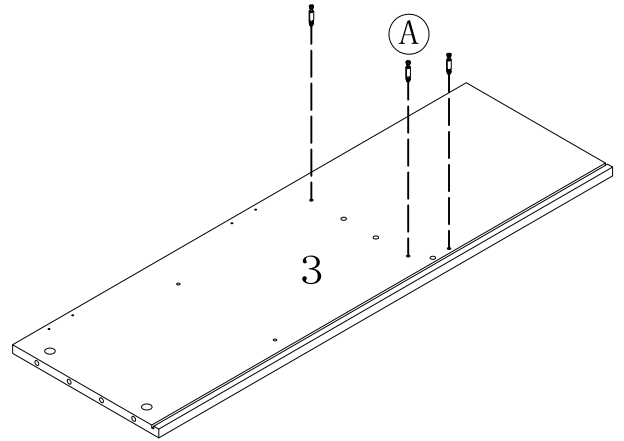
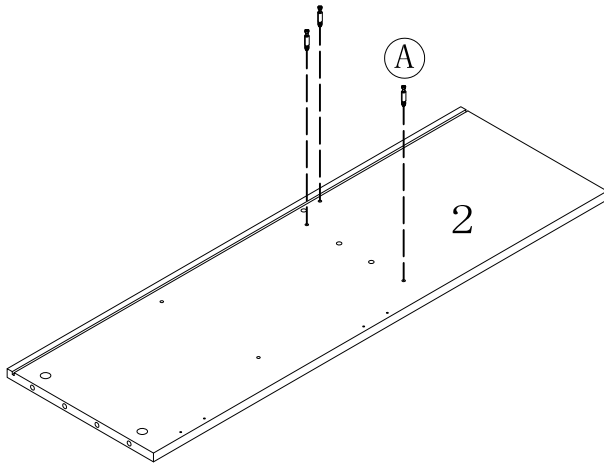
Pay more attention to B and C

- (B)  4PCS
Ø15*12
- (D)  4PCS
Ø8*30





Step 7

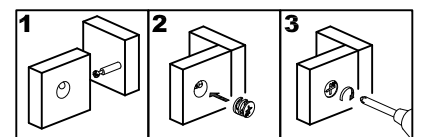
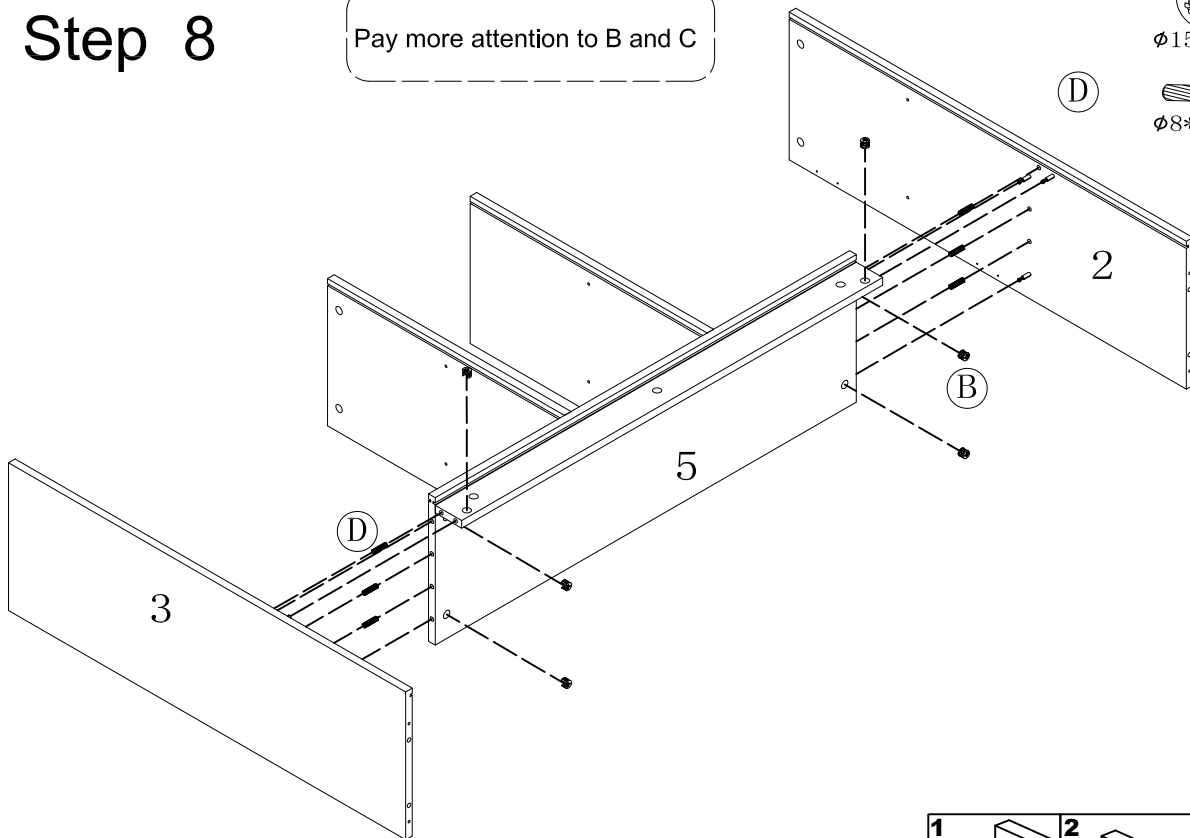
 6PCS
Ø6*35



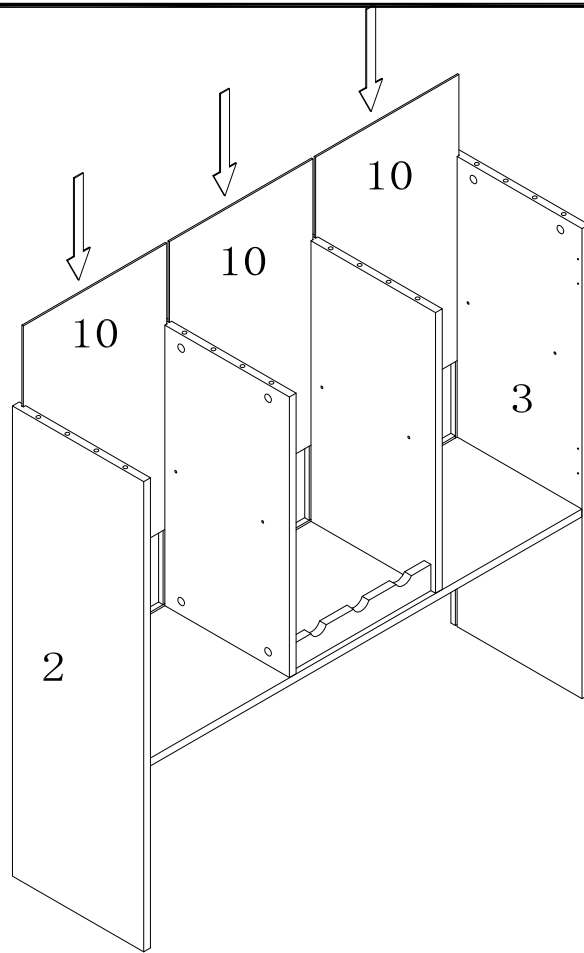
Step 8

Pay more attention to B and C

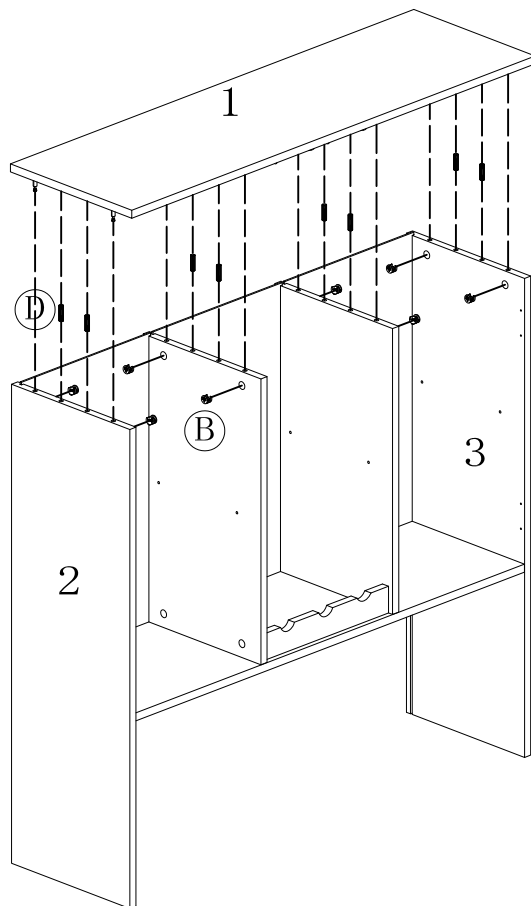
 6PCS
Ø15*12
 6PCS
Ø8*30


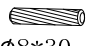


Step 9

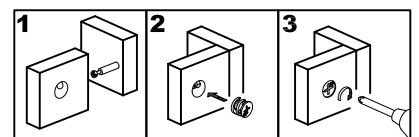


Step 10

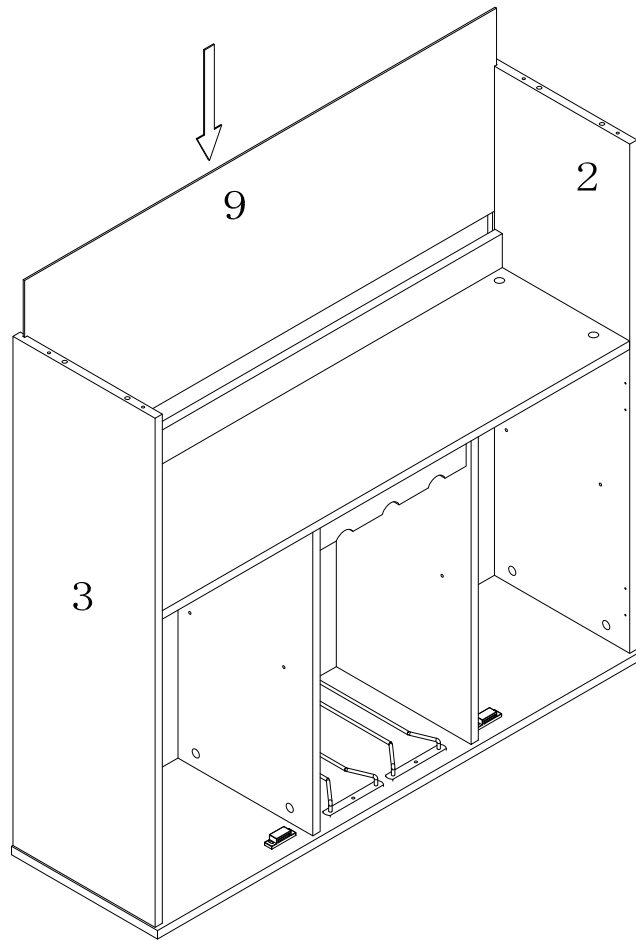


- (B)  8PCS
Ø15*12
- (D)  8PCS
Ø8*30

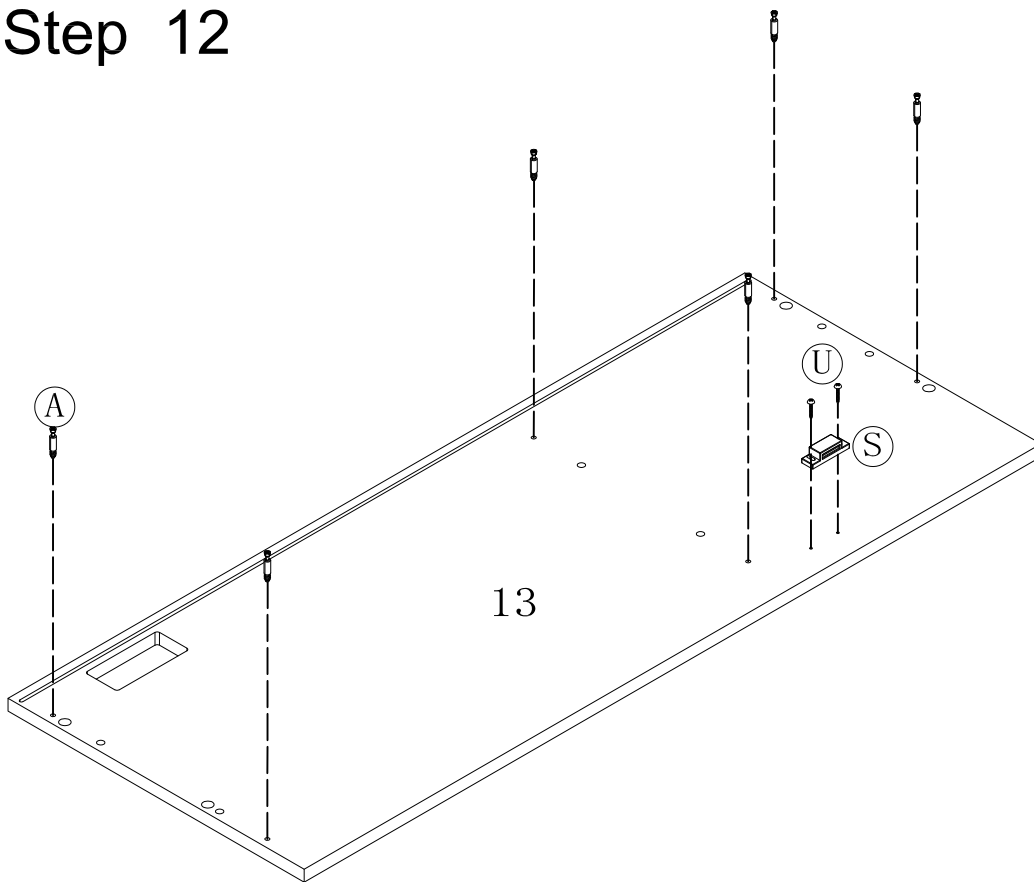
Pay more attention to B and C

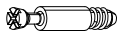




Step 11

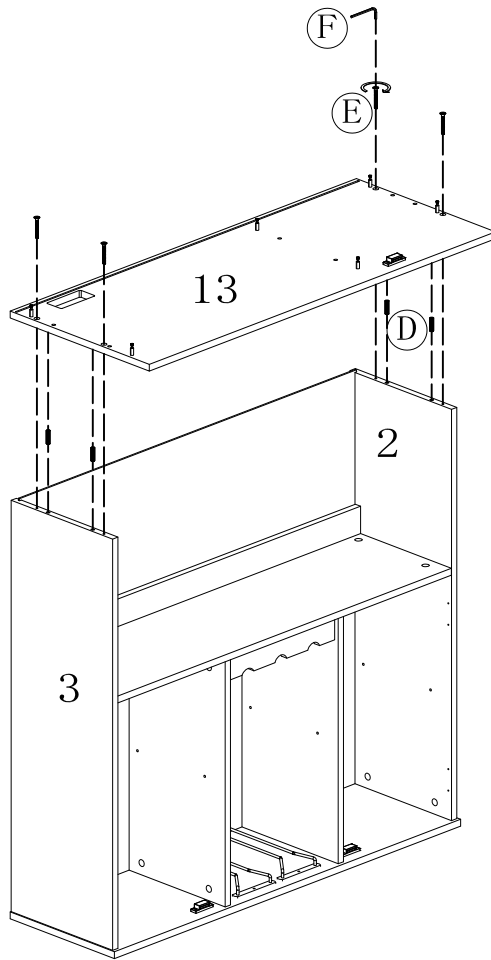





Step 12



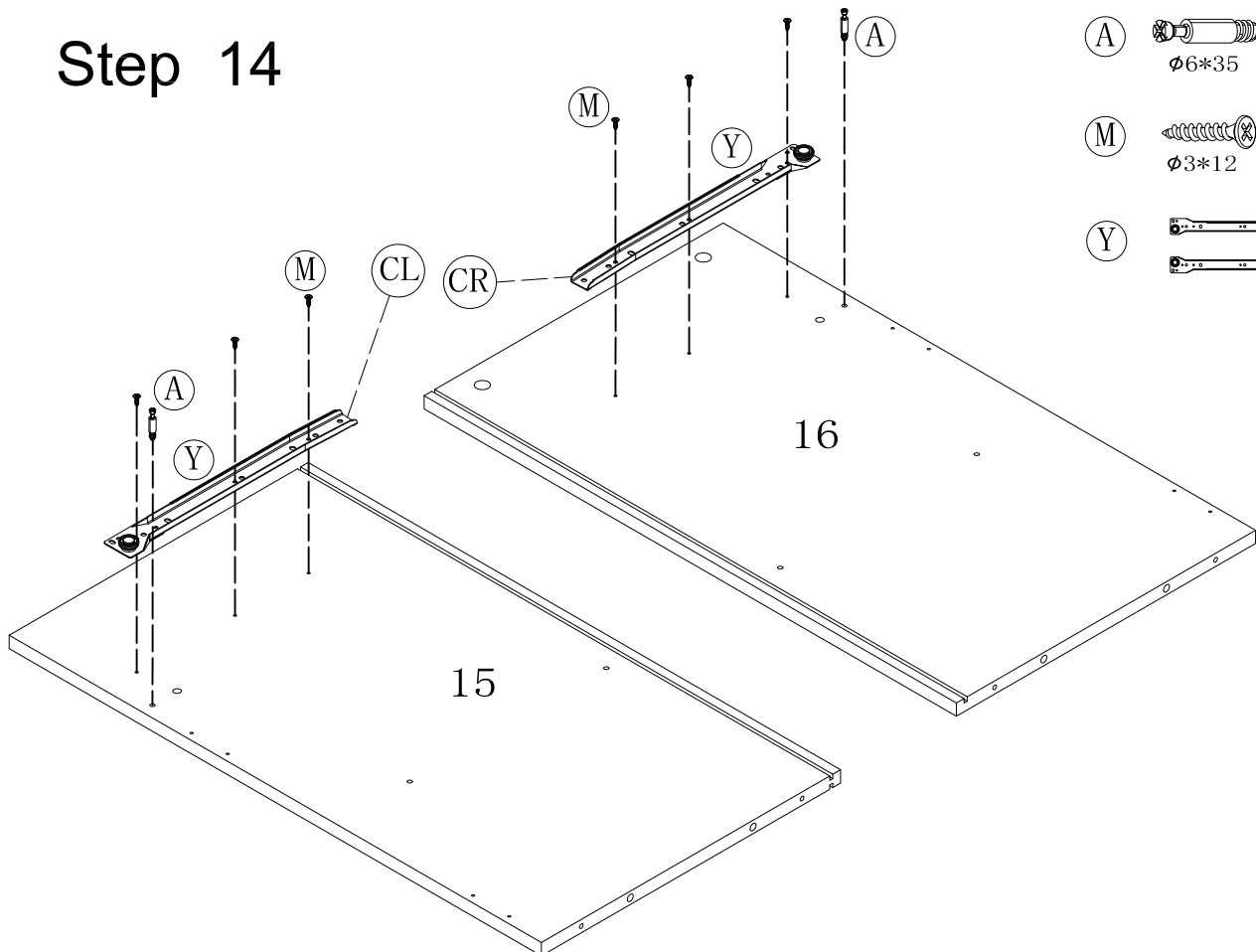
- (A)  6PCS
Ø6*35
- (U)  2PCS
Ø3*15
- (S)  1PCS

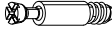



Step 13



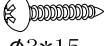
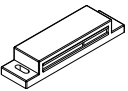
- (D)  4PCS
ø8*30
- (E)  4PCS
ø6*50
- (F)  M4

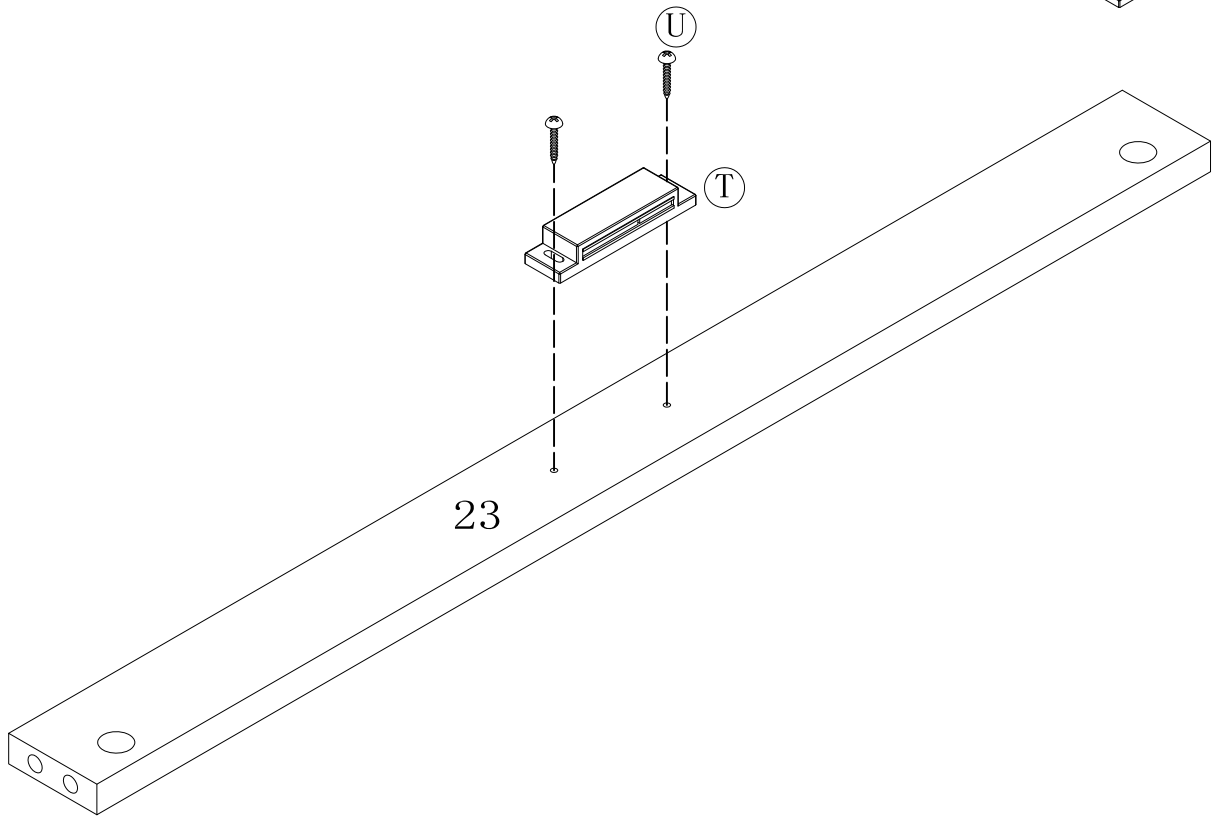
Step 14




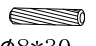
- (A)  2PCS
ø6*35
- (M)  6PCS
ø3*12
- (Y)  (CL)
 (CR)

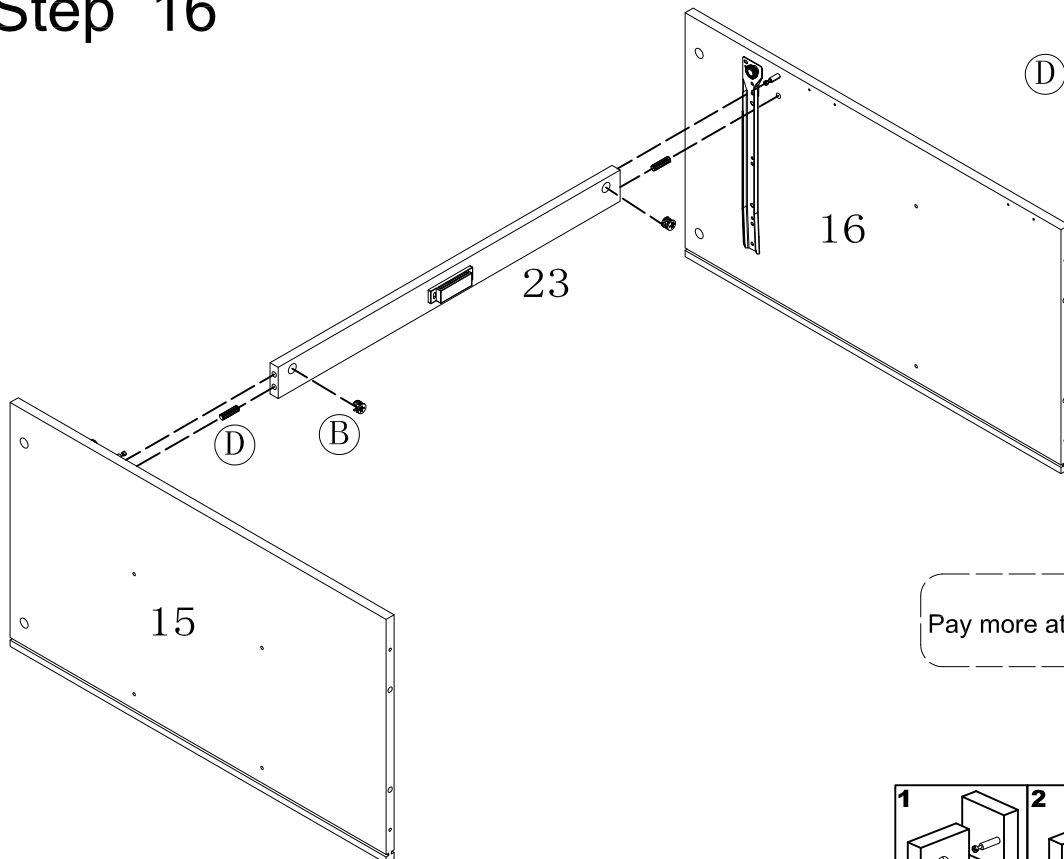
Step 15

- Ⓚ  2PCS
Ø3*15
- Ⓣ  1PCS

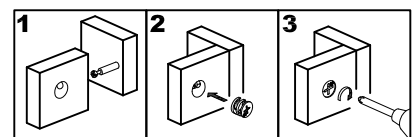


Step 16




- ⓑ  2PCS
Ø15*12
- ⓓ  2PCS
Ø8*30

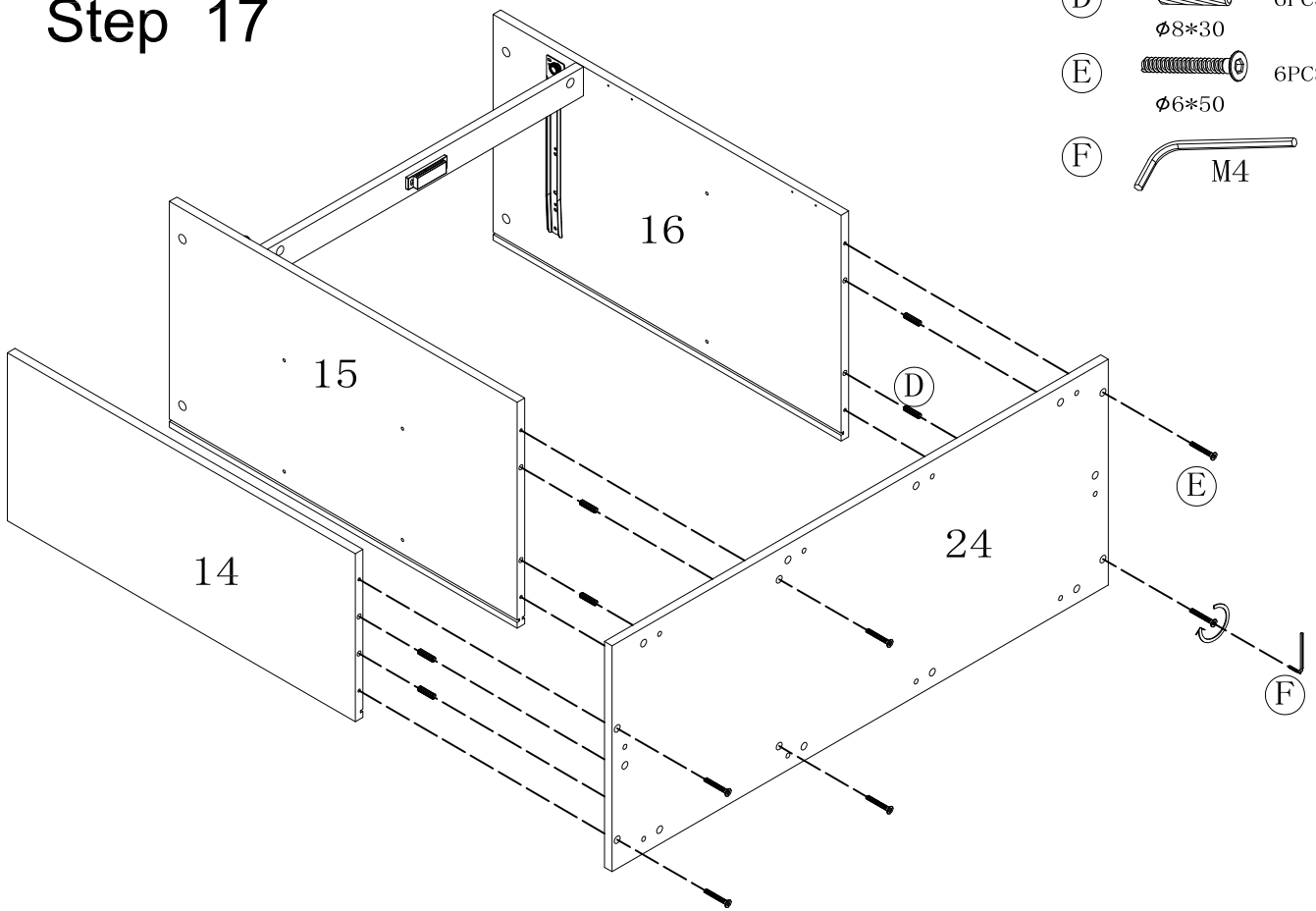


Pay more attention to B and C






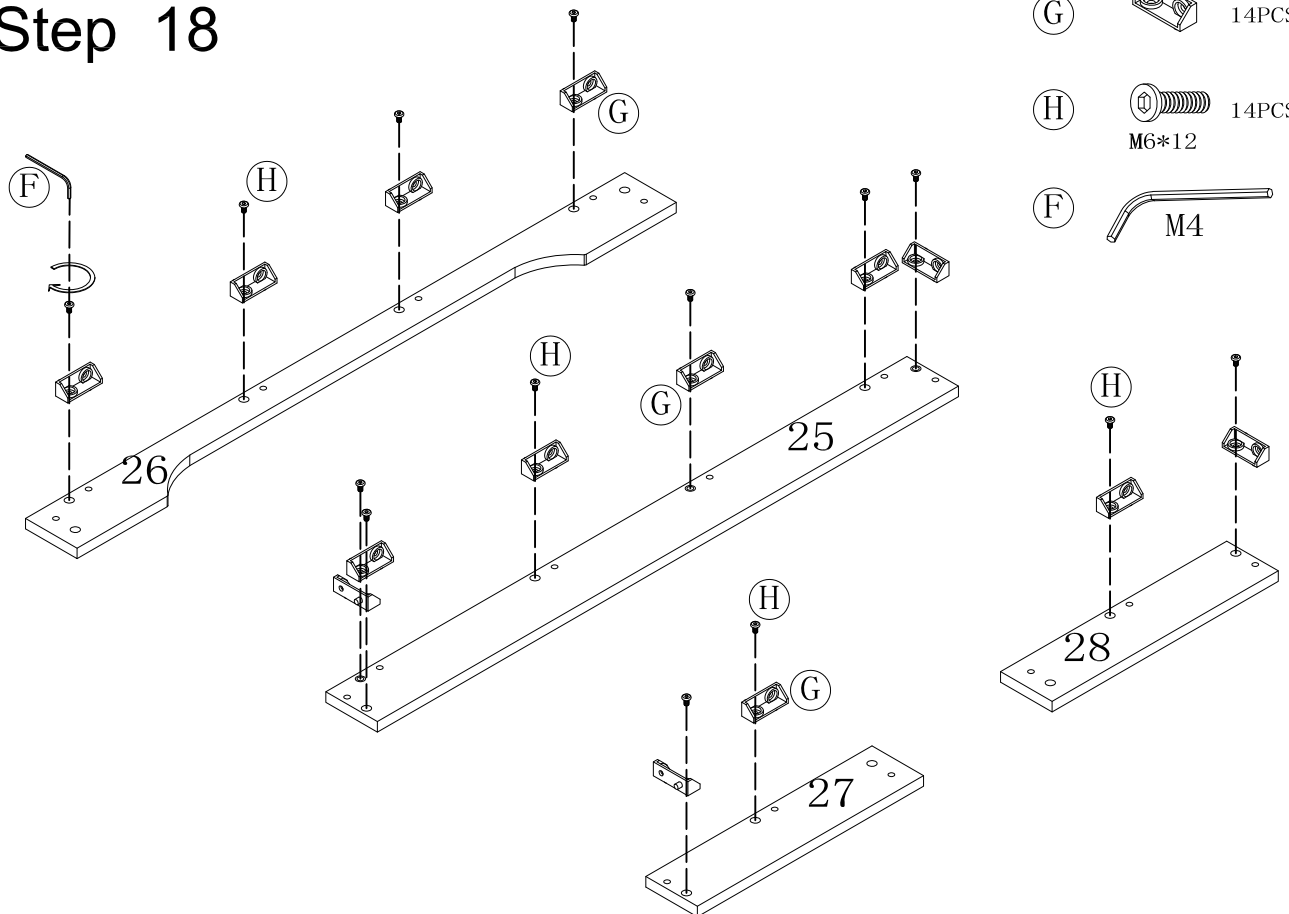
Step 17

- (D)  6PCS
ø8*30
- (E)  6PCS
ø6*50
- (F)  M4



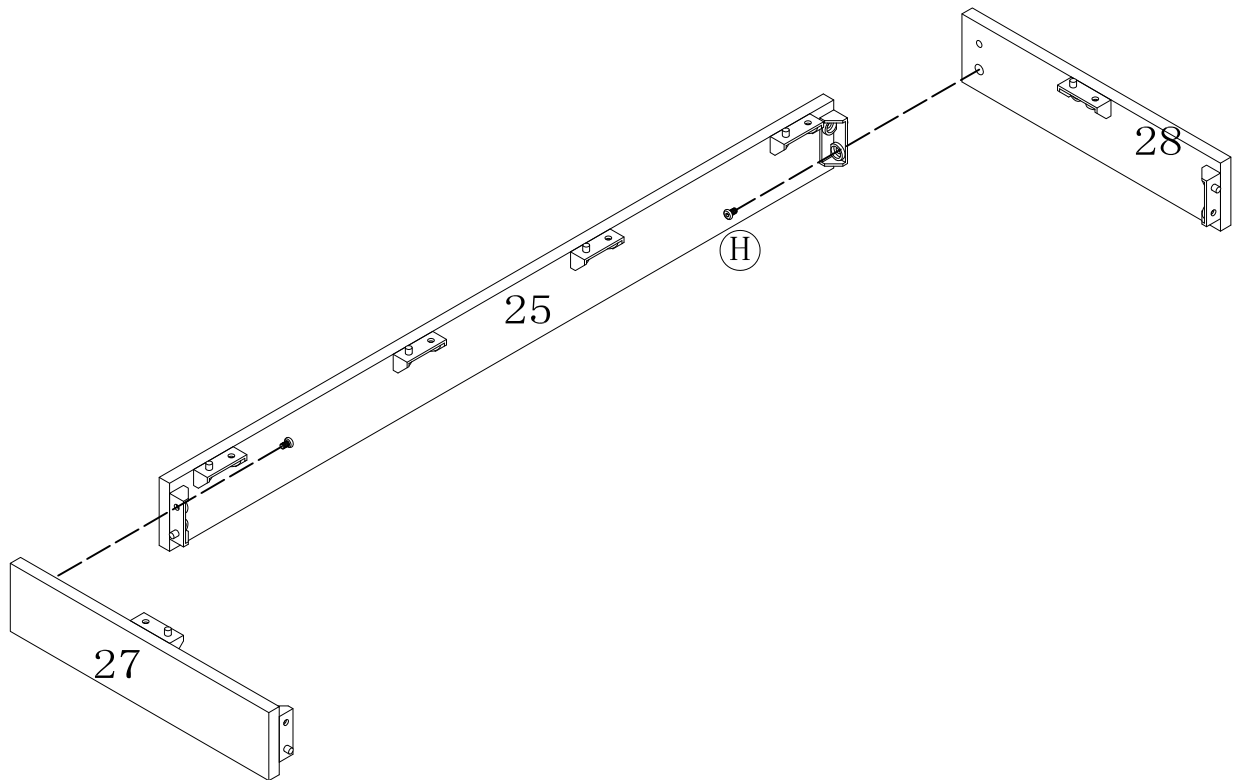
Step 18

- (G)  14PCS
- (H)  14PCS
M6*12
- (F)  M4




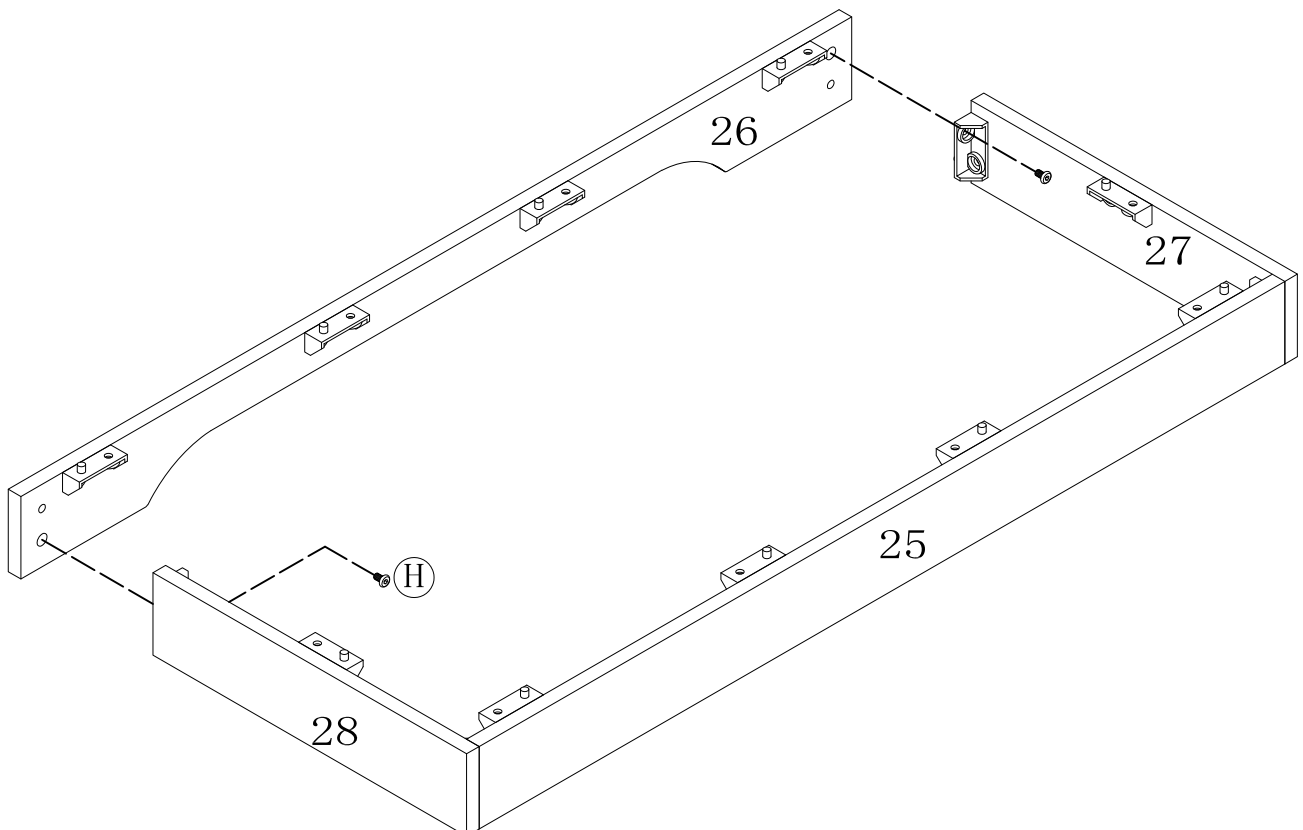
Step 19

(H)  2PCS
M6*12




Step 20

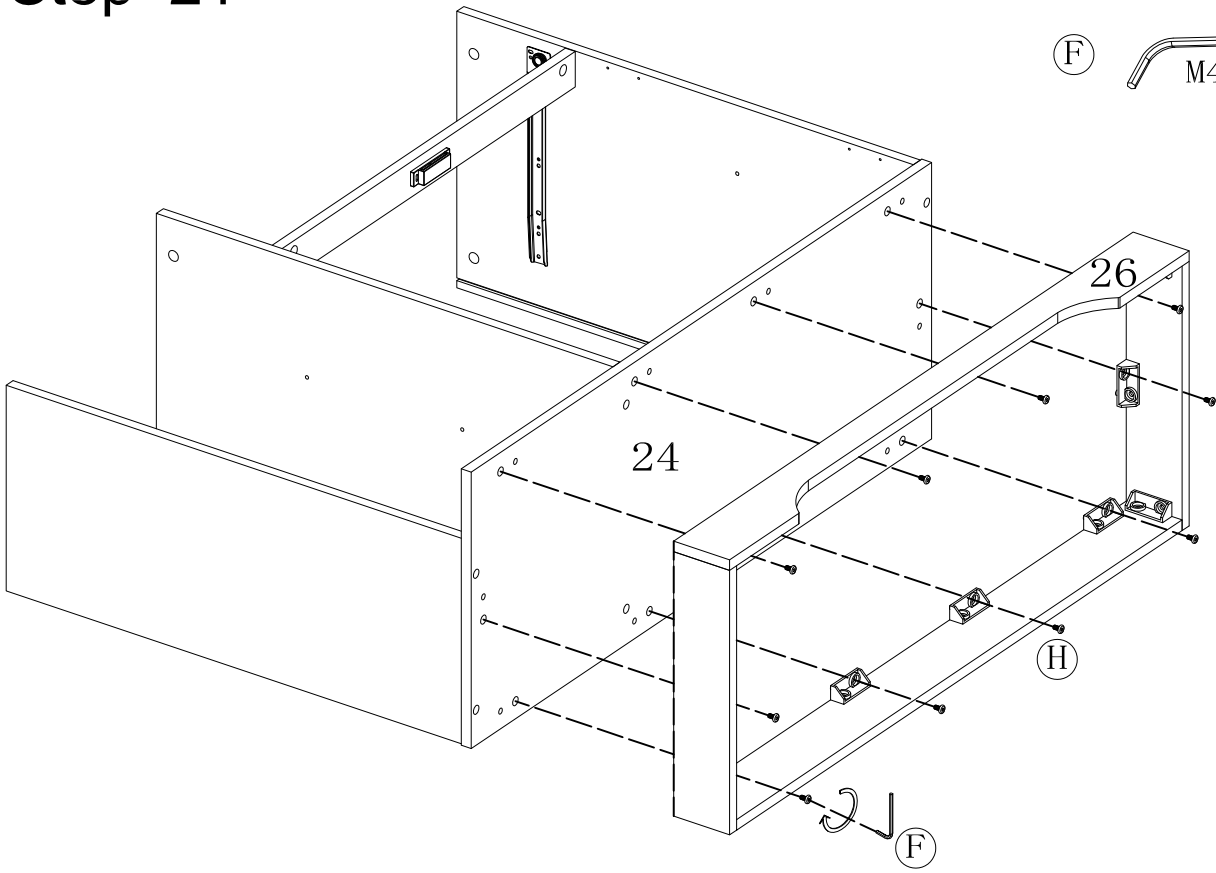
(H)  2PCS
M6*12



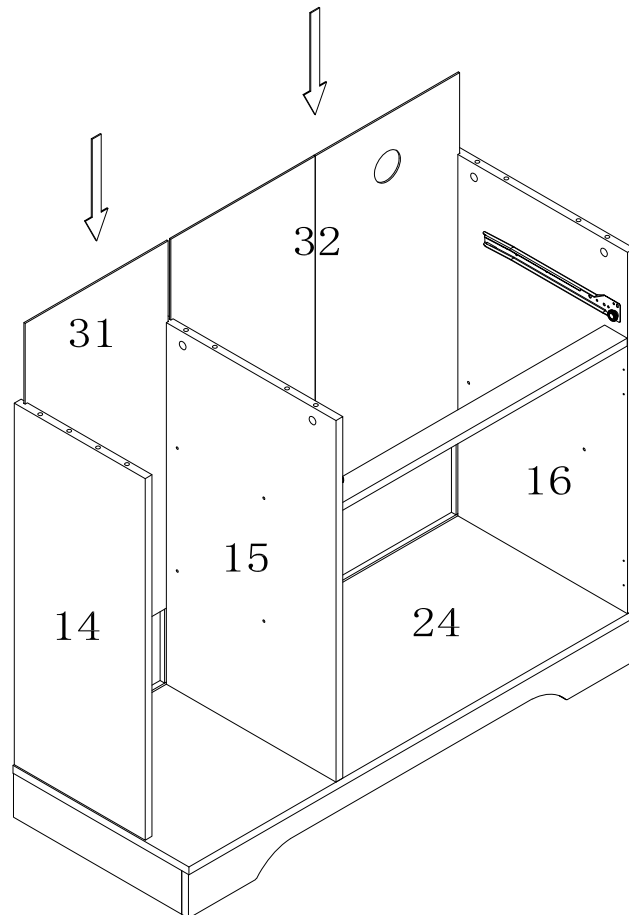
Step 21

(H)  10PCS
M6*12

(F)  M4



Step 22



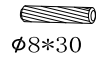
Step 23

ⓑ 6PCS

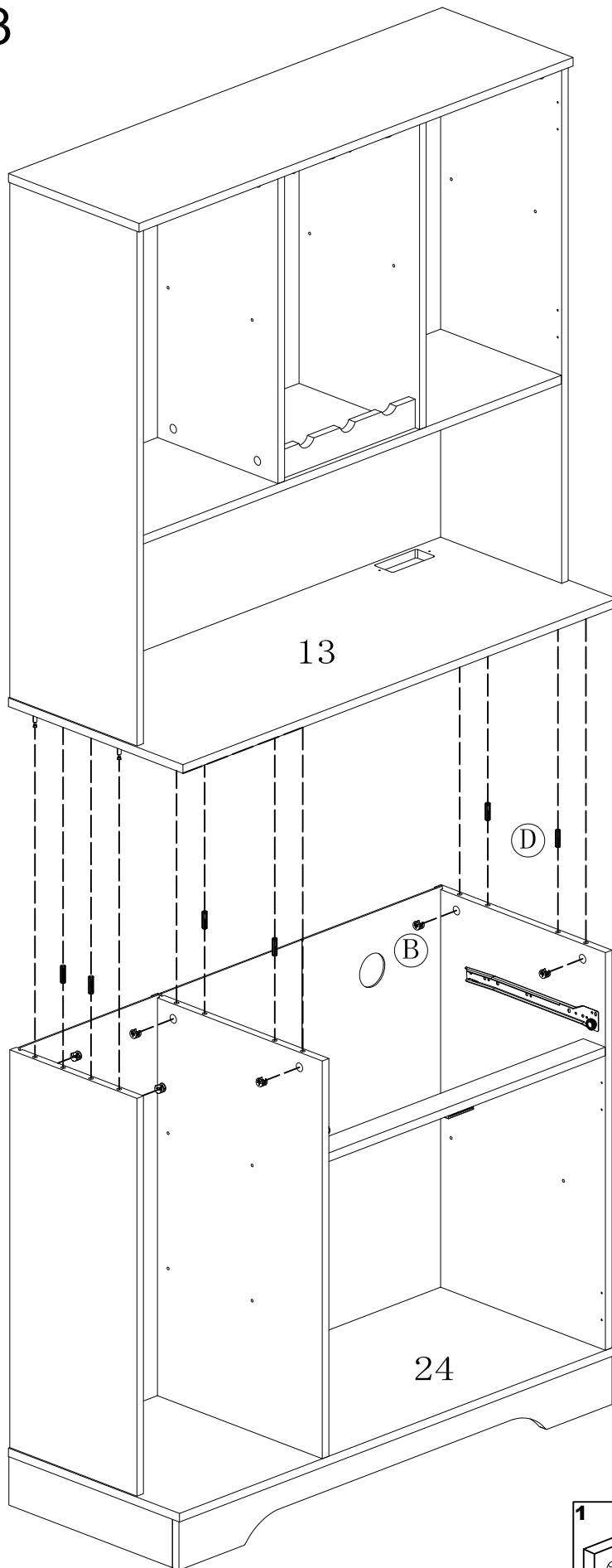


∅15*12

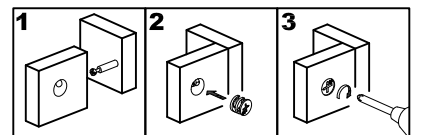
ⓓ 6PCS



∅8*30



Pay more attention to B and C

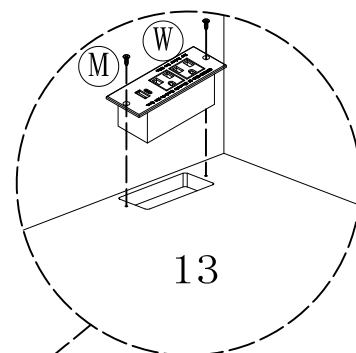
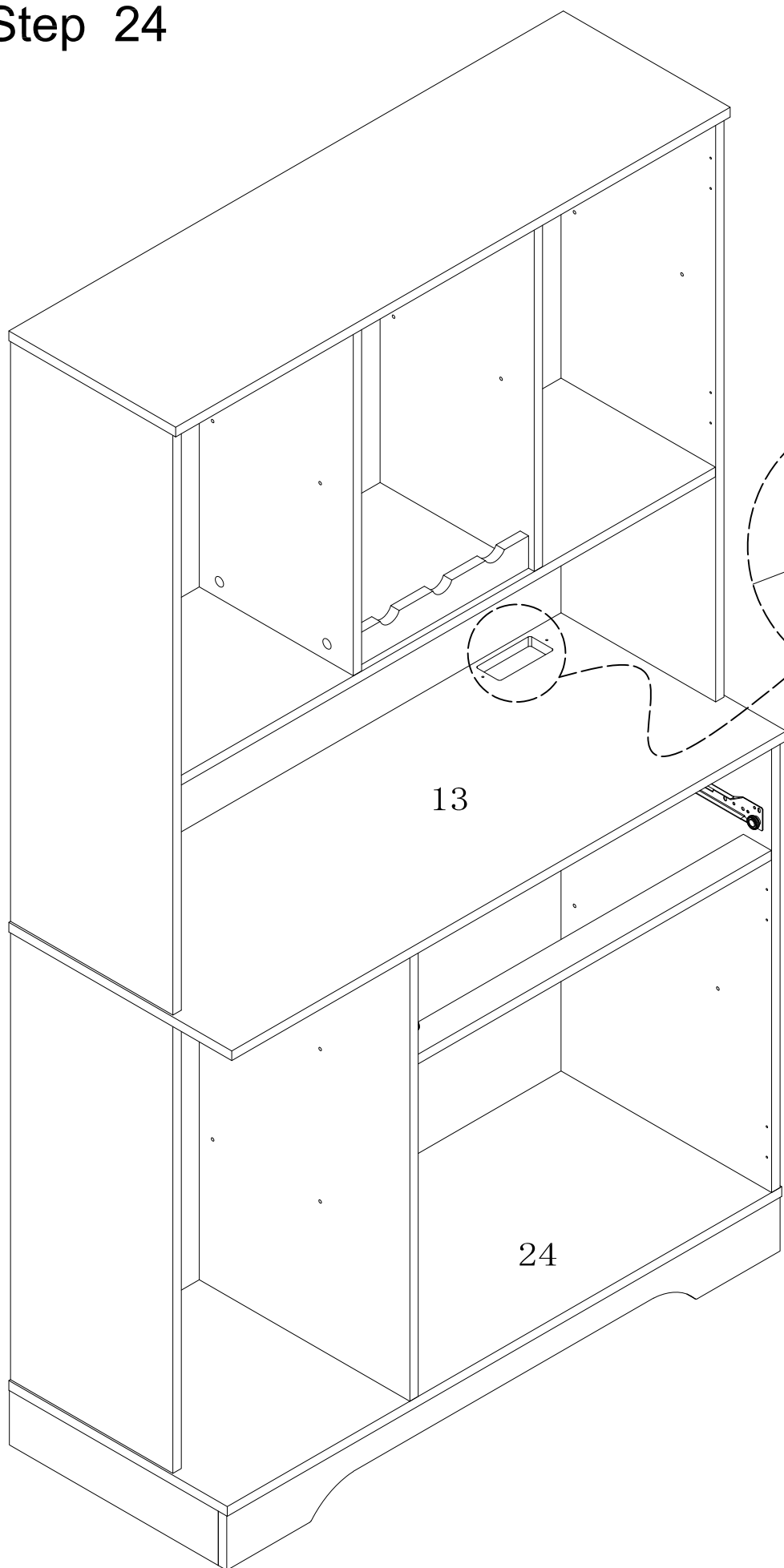


Step 24

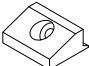
(M)  2PCS

Ø3*12

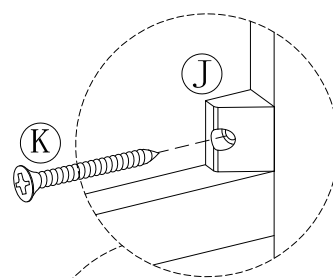
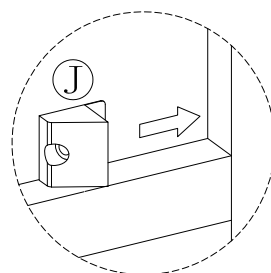
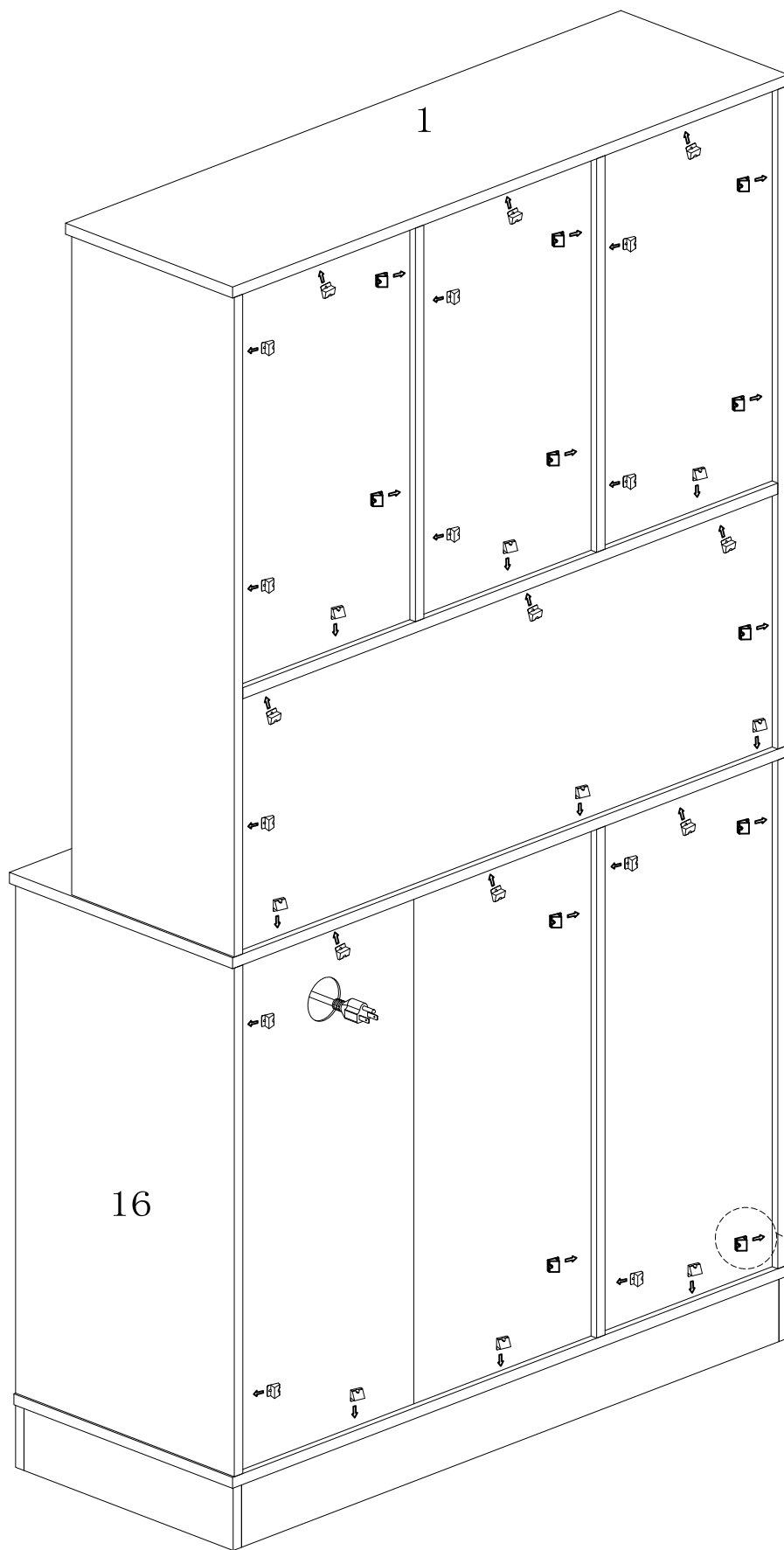
(W) 



Step 25

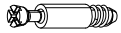
(J)  40PCS

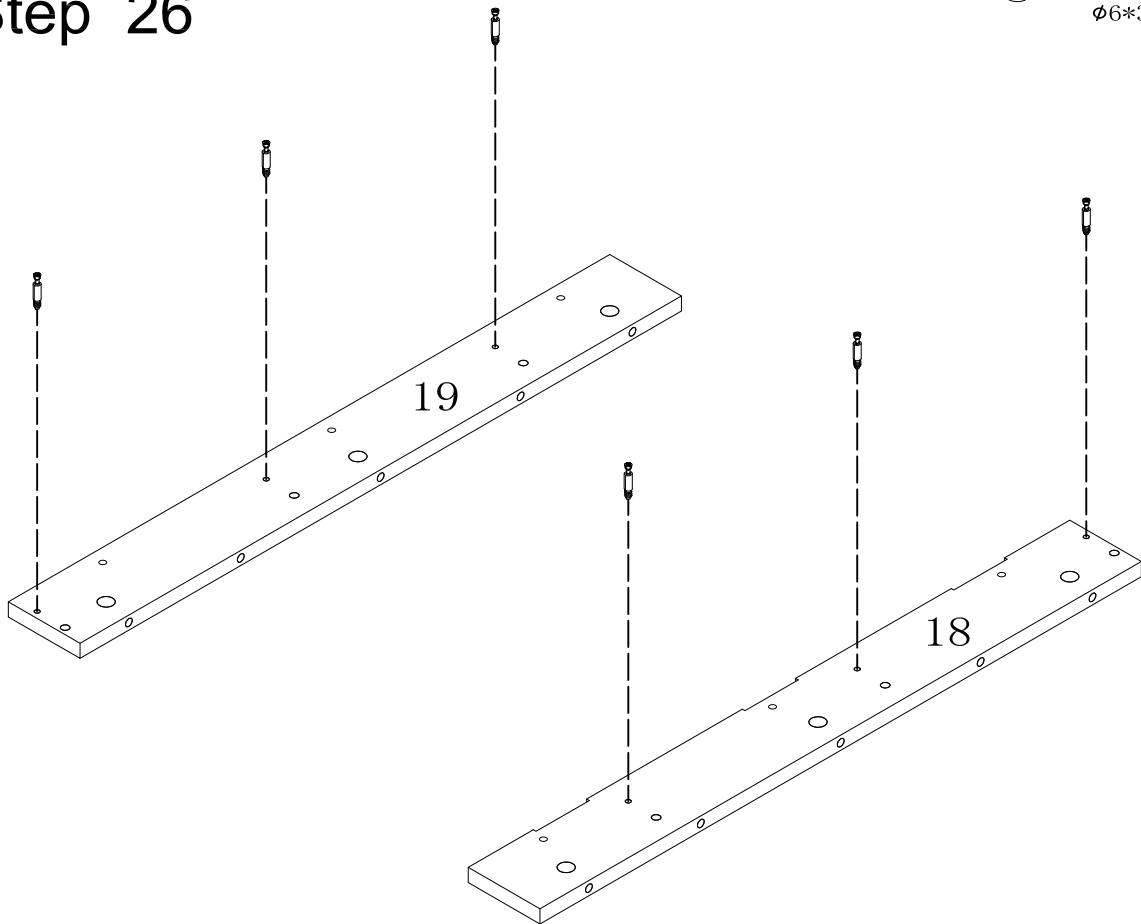
(K)  40PCS
Ø3*17




16


Step 26

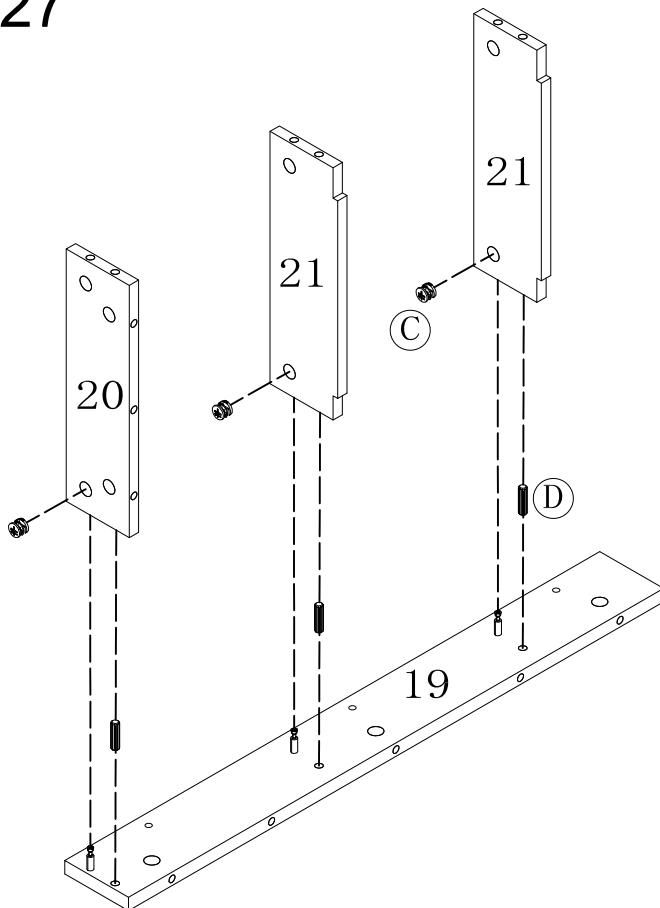
(A)  6PCS
Ø6*35



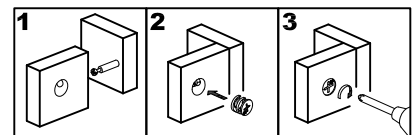
Step 27

(C)  3PCS
Ø15*10

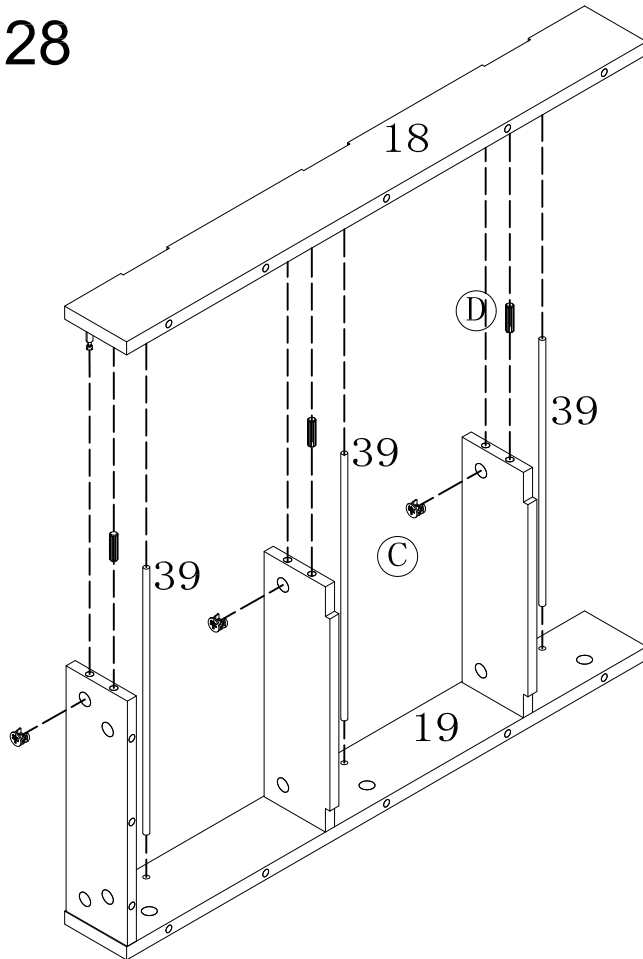
(D)  3PCS
Ø8*30





Pay more attention to B and C

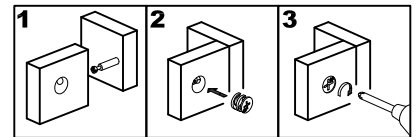


Step 28

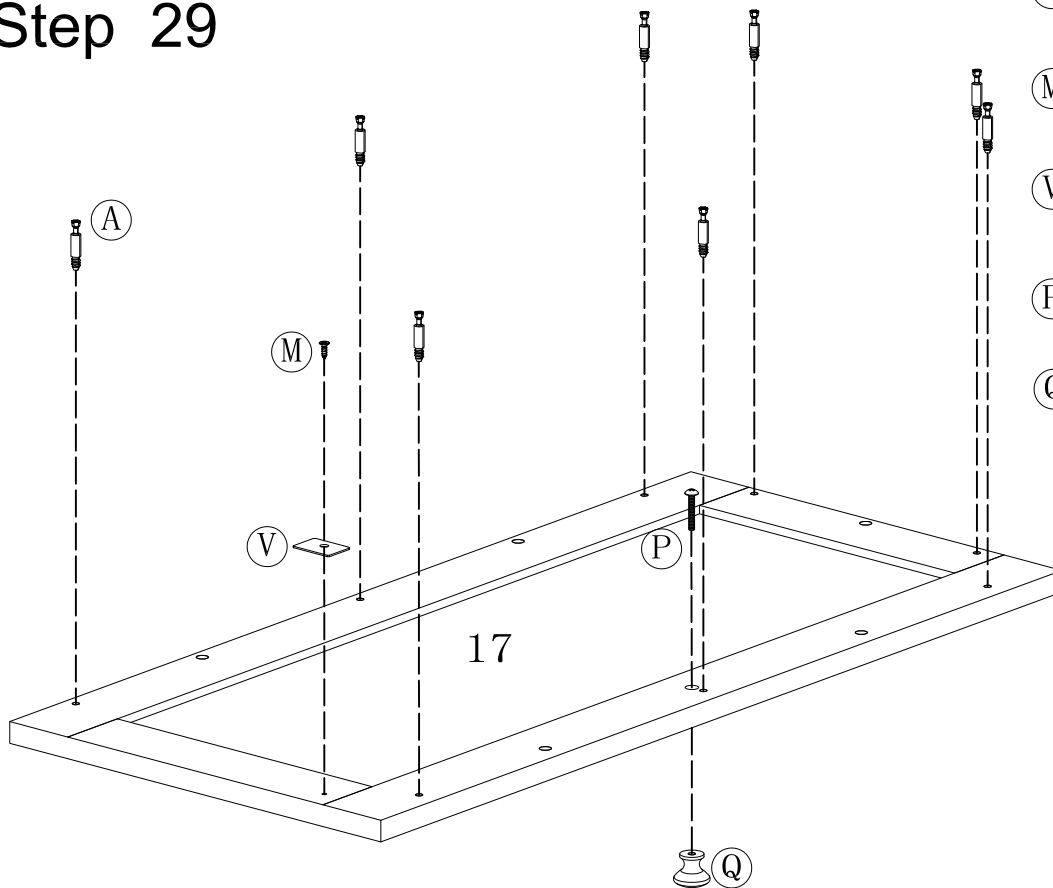


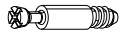
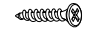



- (C)  3PCS
ø15*10
- (D)  3PCS
ø8*30

Pay more attention to B and C

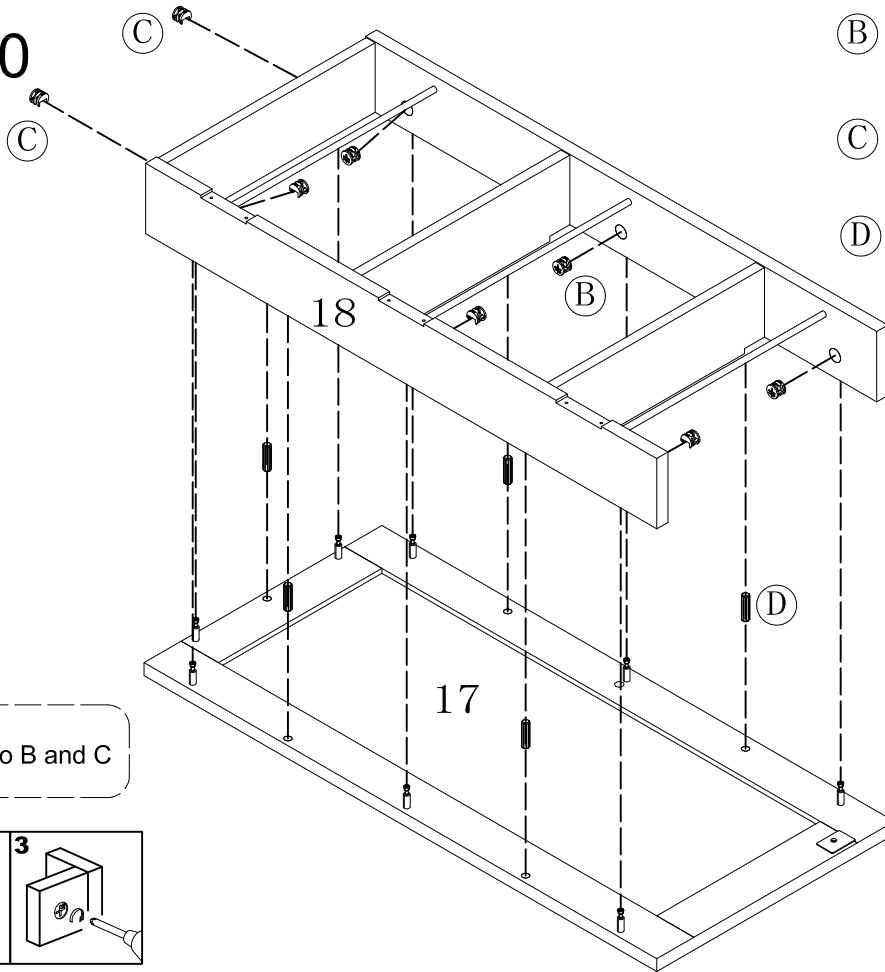





Step 29



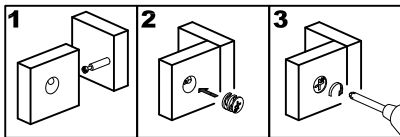
- (A)  8PCS
ø6*35
- (M)  1PCS
ø3*12
- (V)  1PCS
- (P)  1PCS
M4*22
- (Q)  1PCS

Step 30

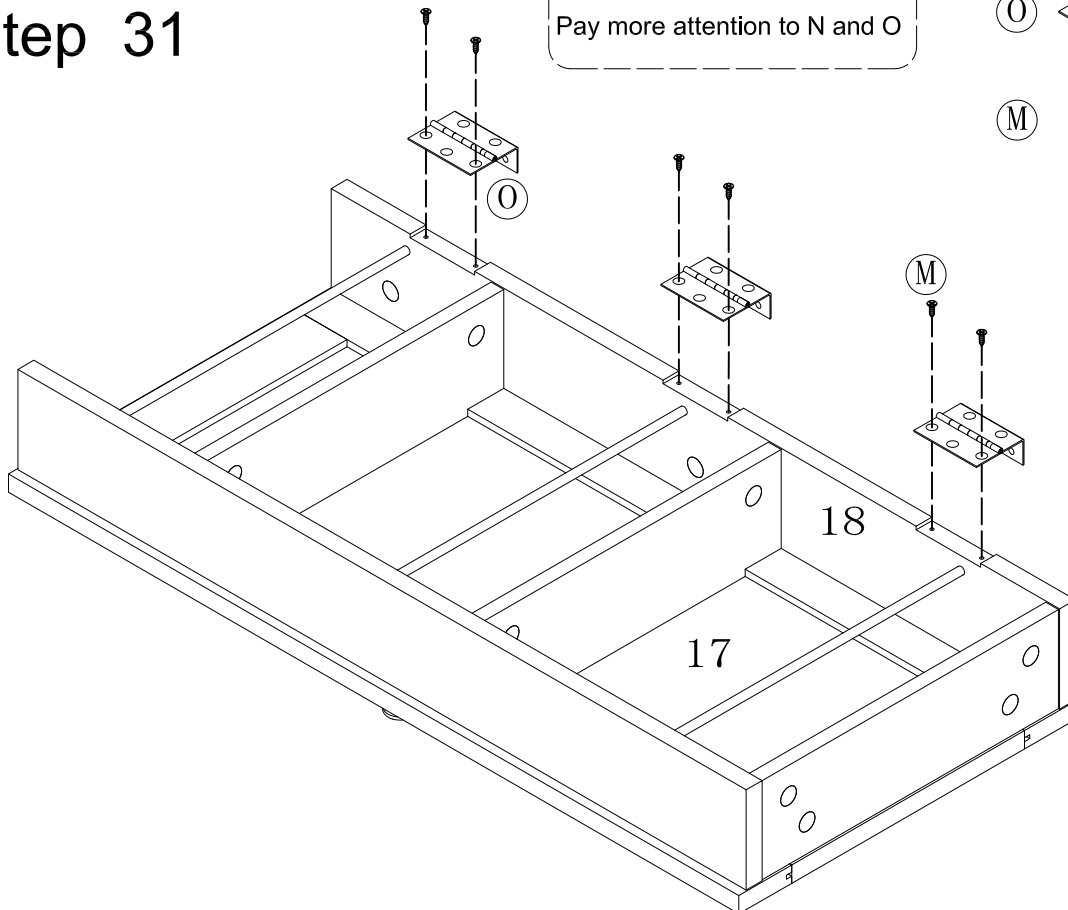


- (B)  6PCS
Ø15*12
- (C)  2PCS
Ø15*10
- (D)  5PCS
Ø8*30

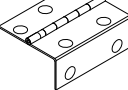
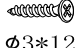
Pay more attention to B and C



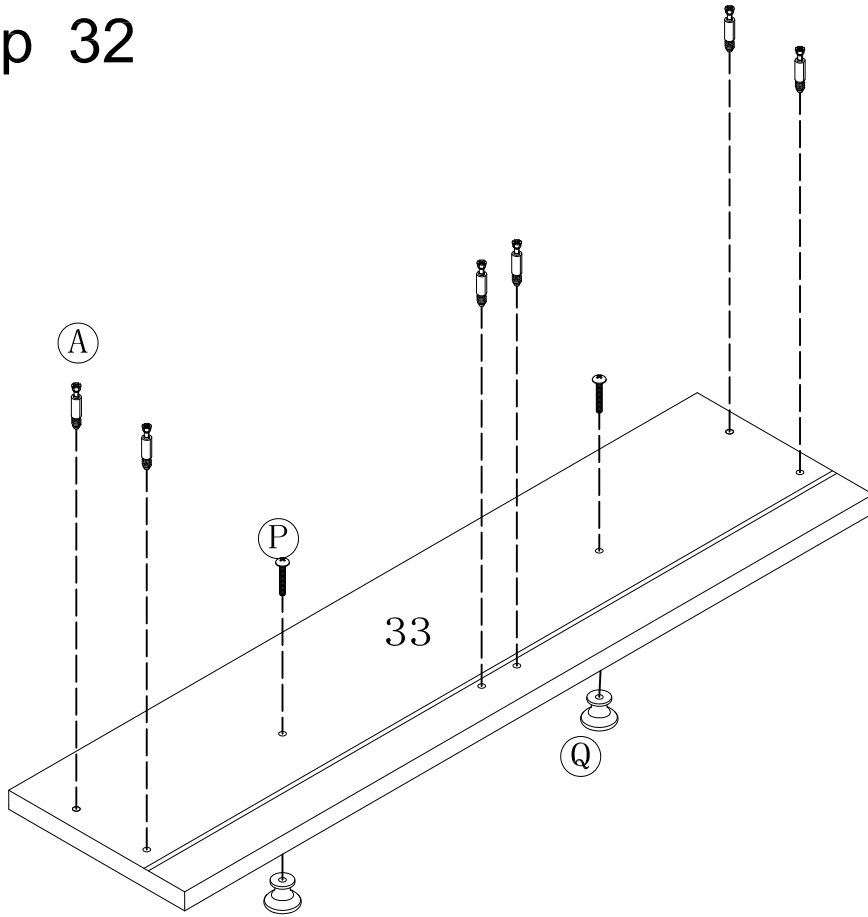
Step 31

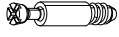




Pay more attention to N and O

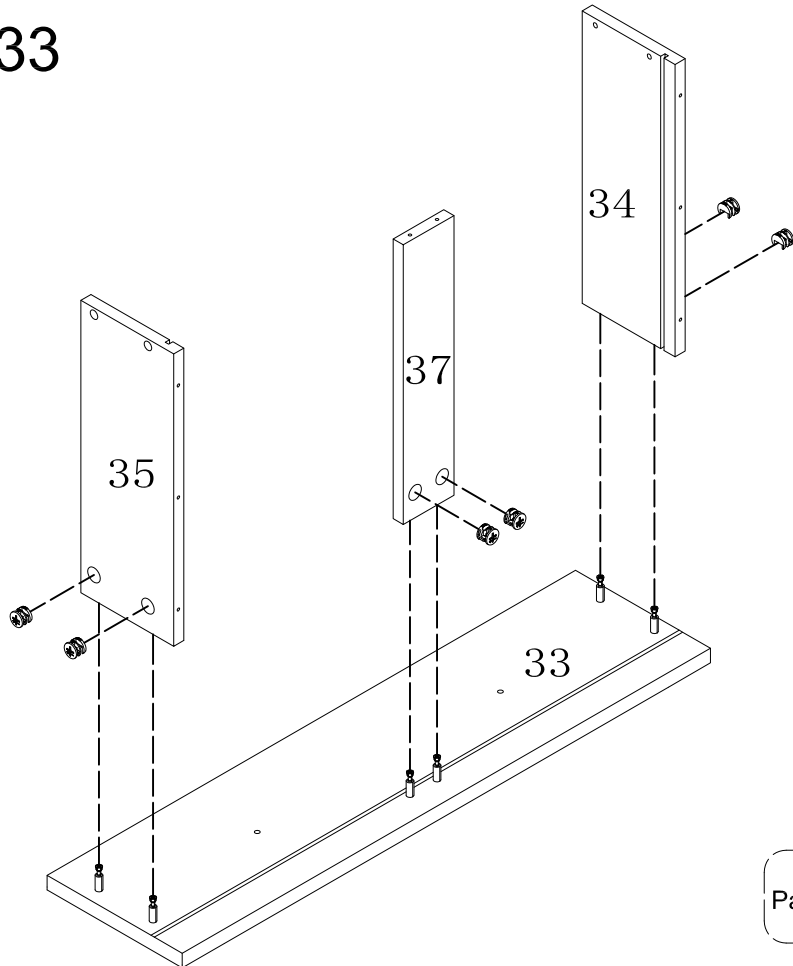
- (O)  3PCS
- (M)  6PCS
Ø3*12

Step 32



- (A)  6PCS
Ø6*35
- (P)  2PCS
M4*22
- (Q)  2PCS

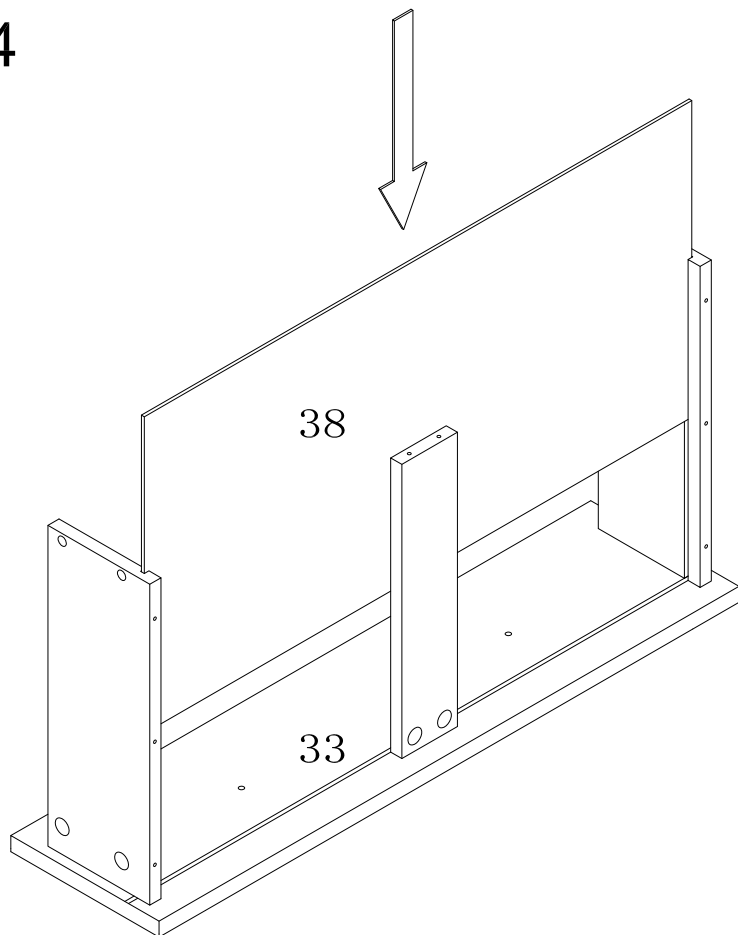
Step 33



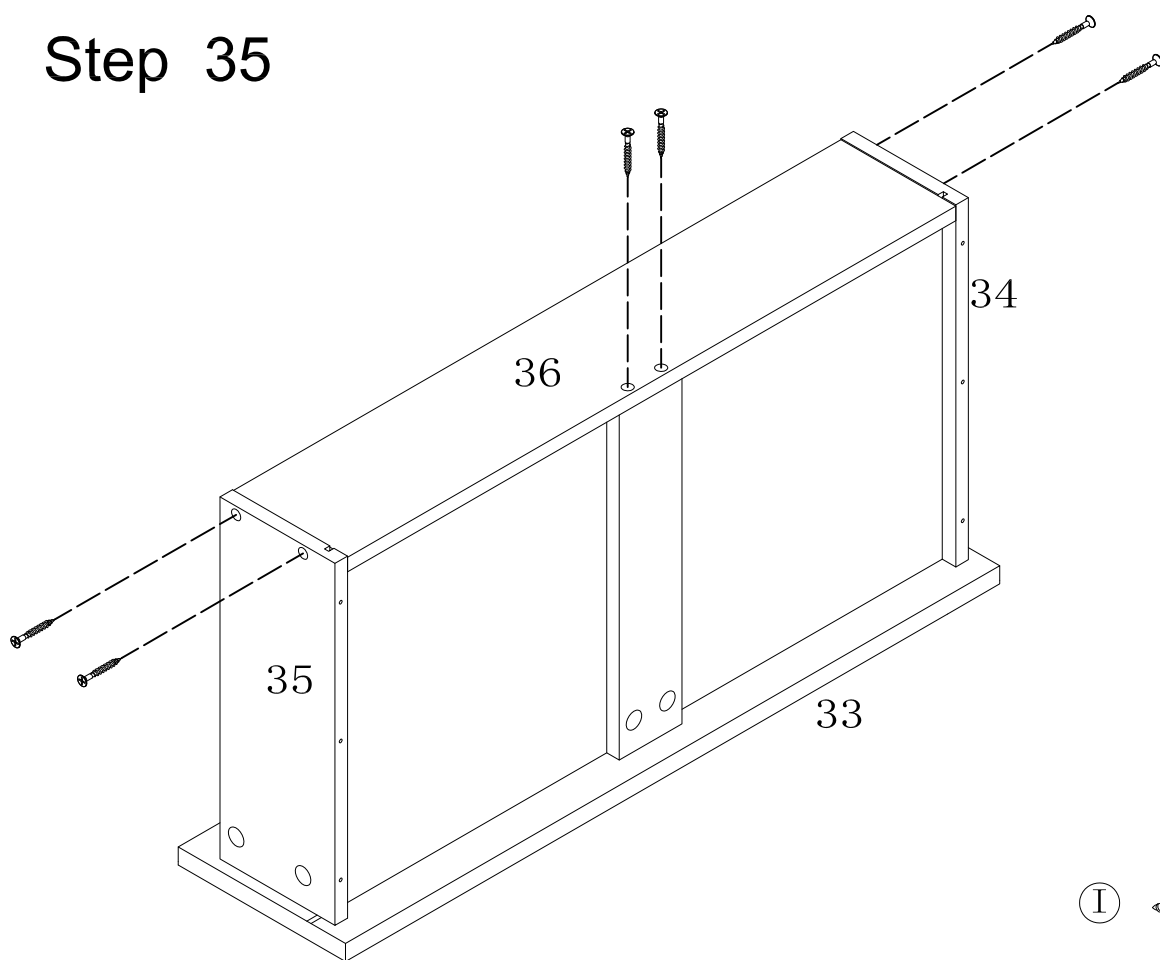
- (C)  6PCS
Ø15*10

Pay more attention to B and C

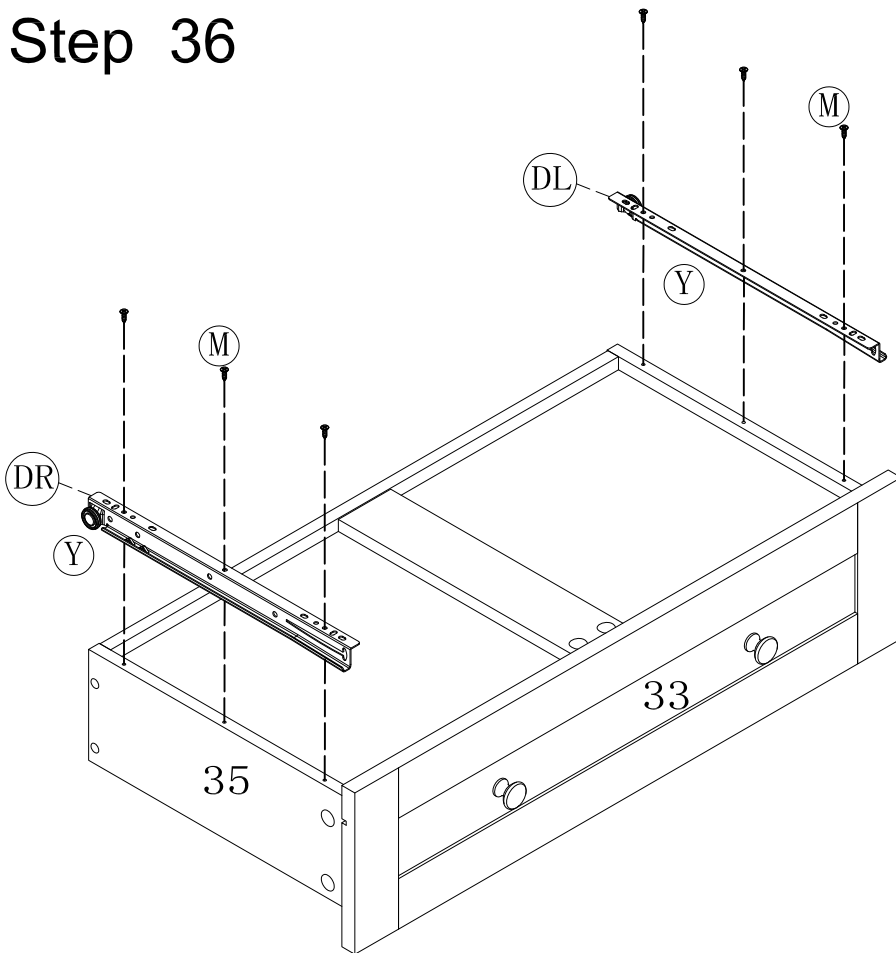
Step 34



Step 35



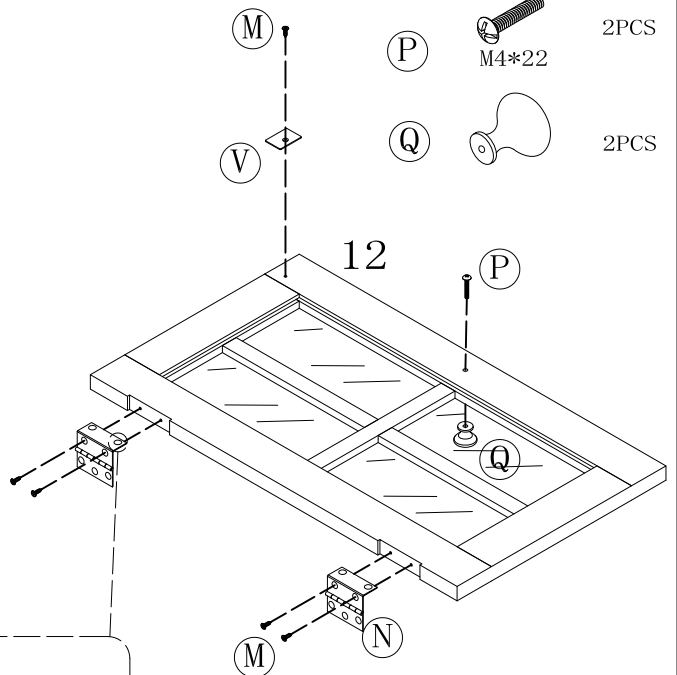
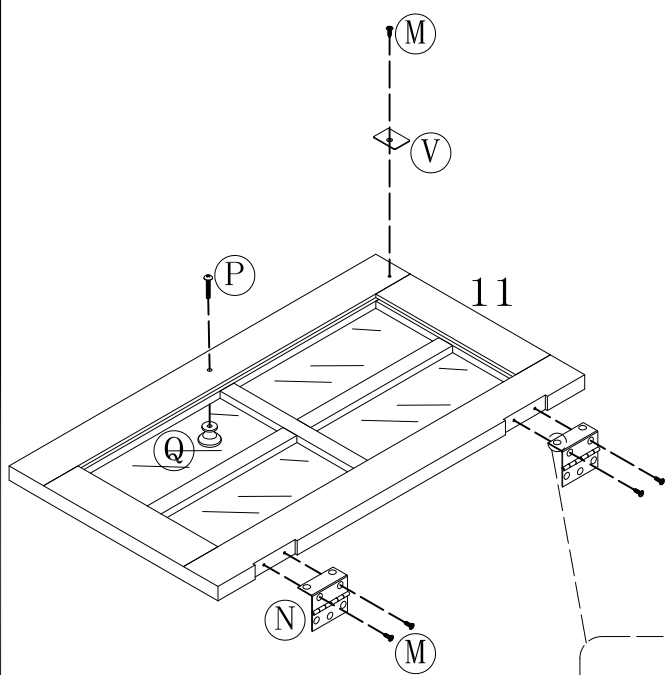
Step 36



- (Y) (DL)
- (DR)
- (M) 6PCS
Ø3*12

Step 37

Pay more attention to N and O

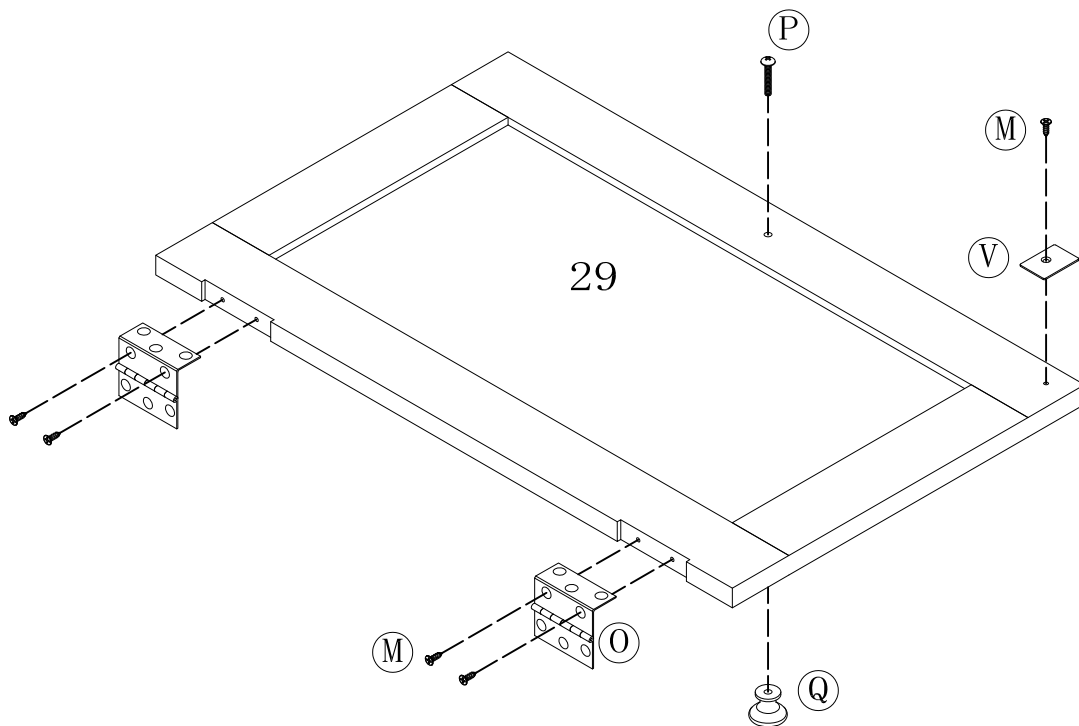






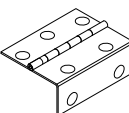
no need to drill holes

- (M) 10PCS
Ø3*12
- (V) 2PCS
- (P) 2PCS
M4*22
- (Q) 2PCS
- (N) 4PCS

Step 38

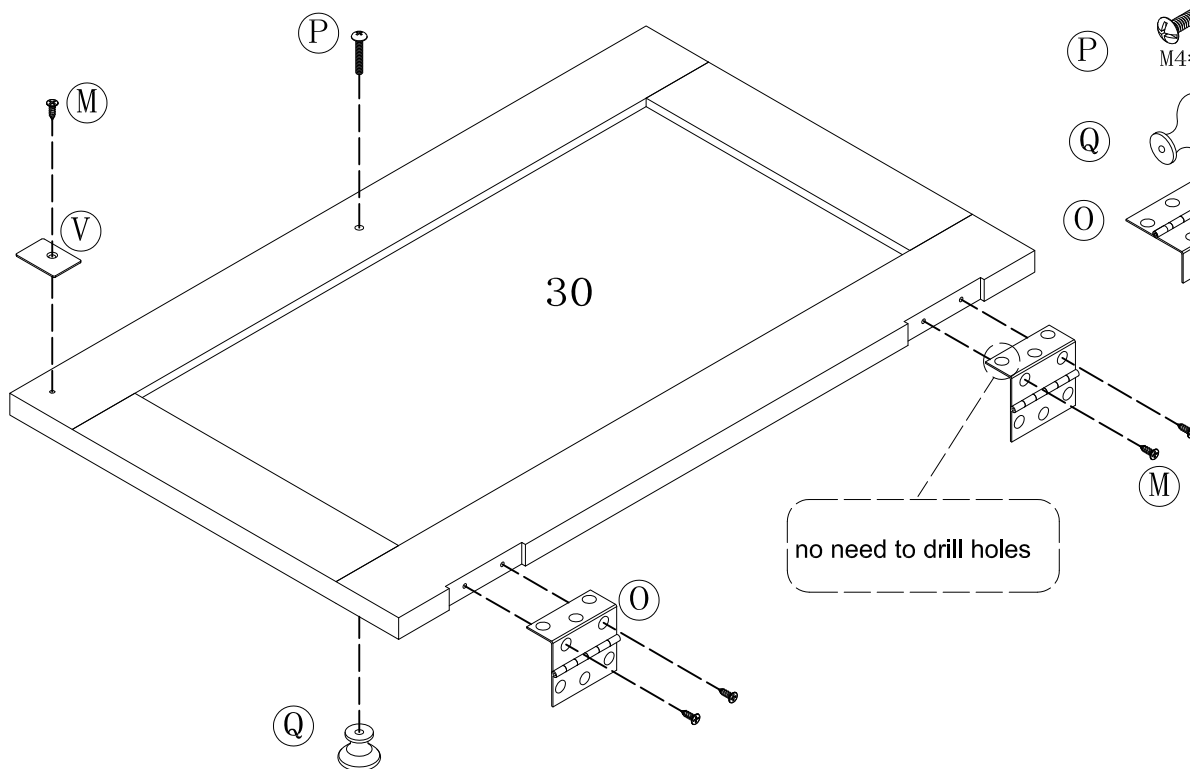
Pay more attention to N and O


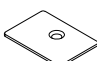


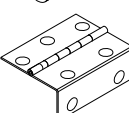


- (M)  5PCS
Ø3*12
- (V)  1PCS
- (P)  1PCS
M4*22
- (R)  1PCS
- (O)  2PCS

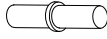
Step 39

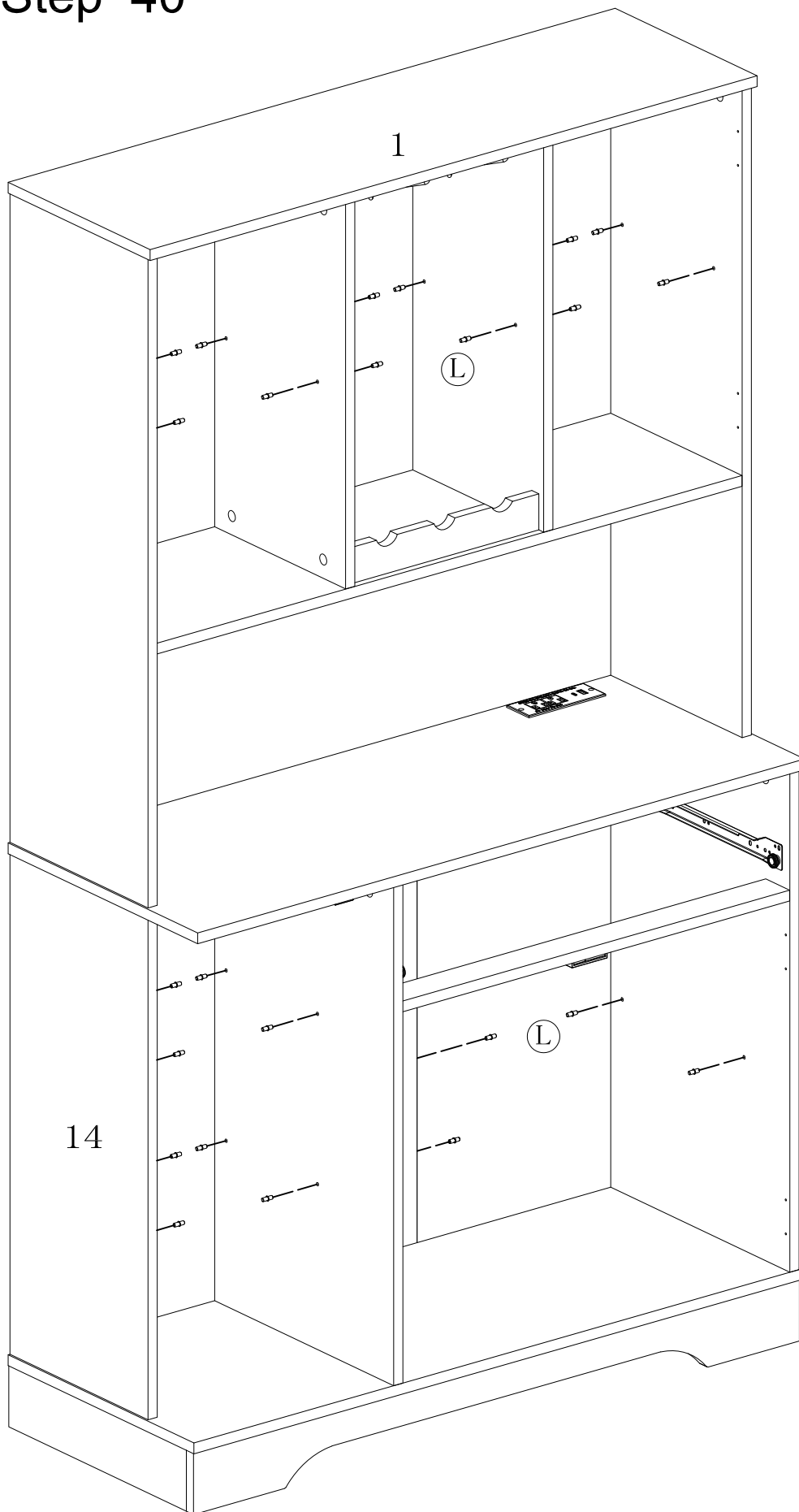
Pay more attention to N and O



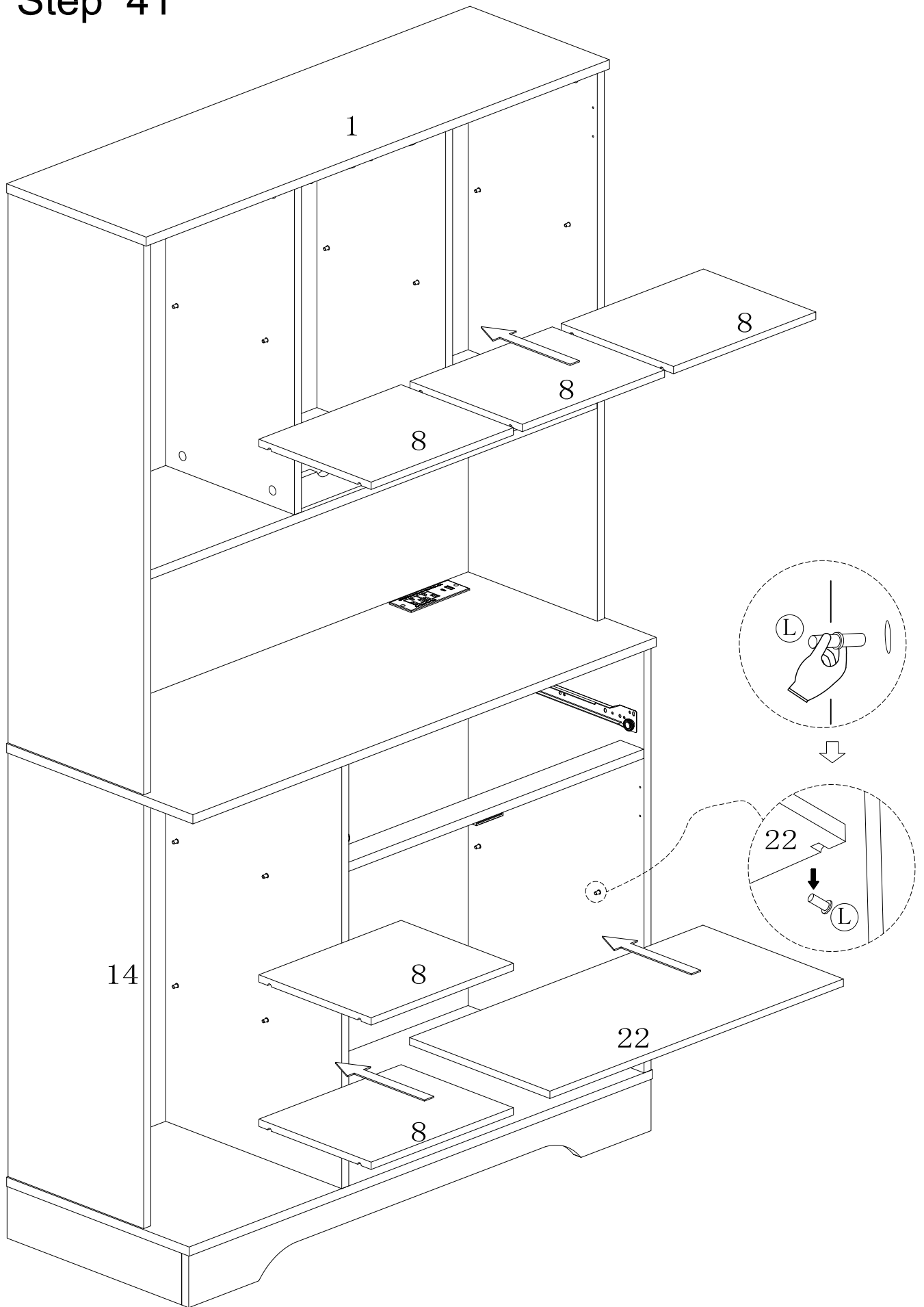
- (M)  5PCS
Ø3*12
- (V)  1PCS
- (P)  1PCS
M4*22
- (Q)  1PCS
- (O)  2PCS

Step 40

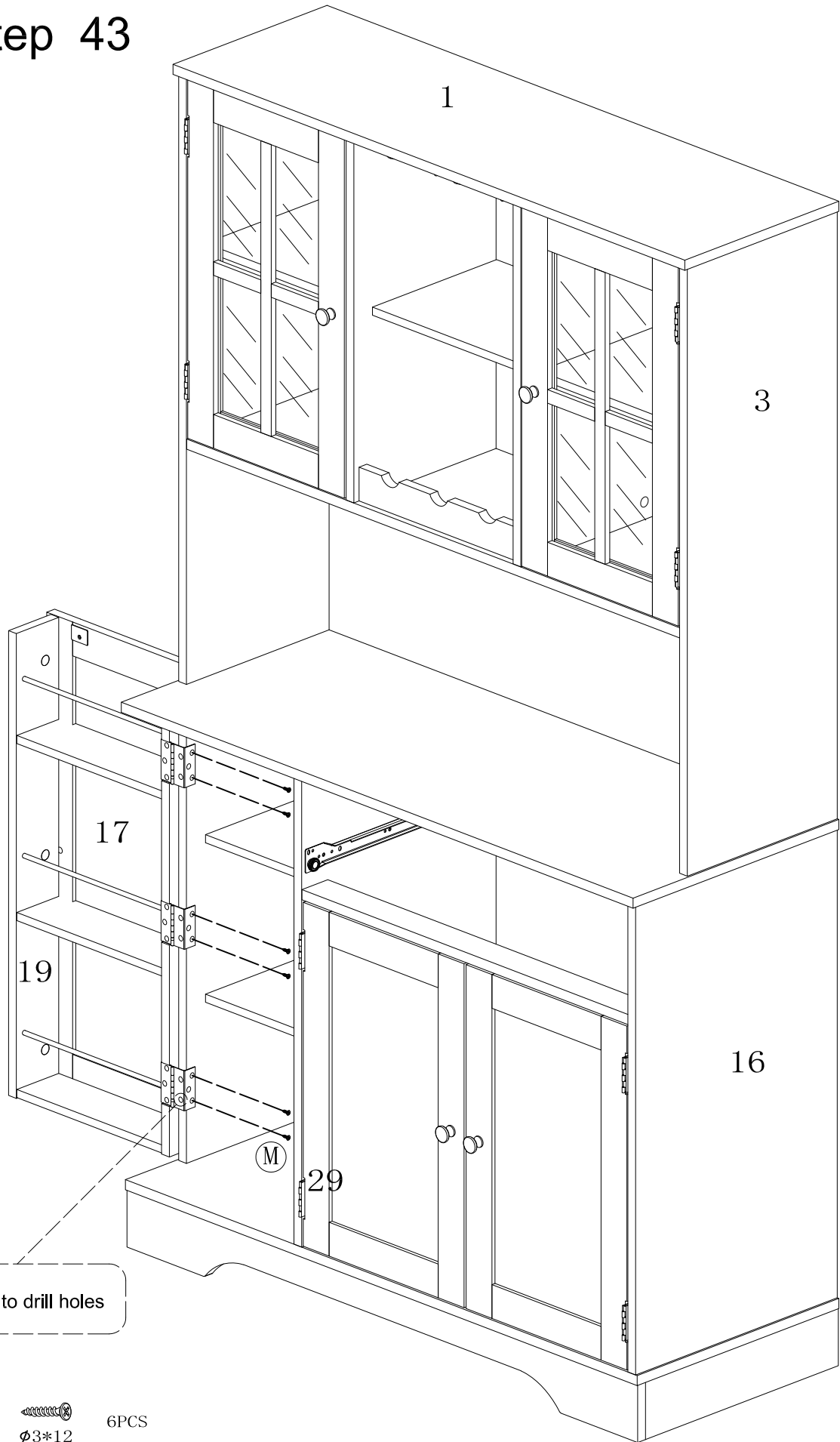
(L)  24PCS
Ø5*16



Step 41



Step 43



no need to drill holes

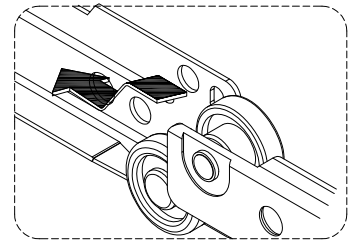
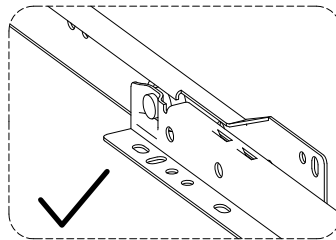
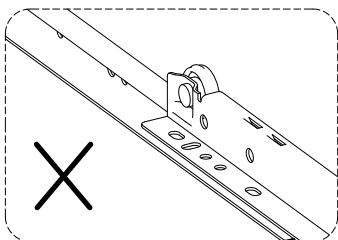
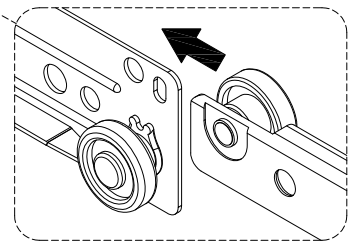
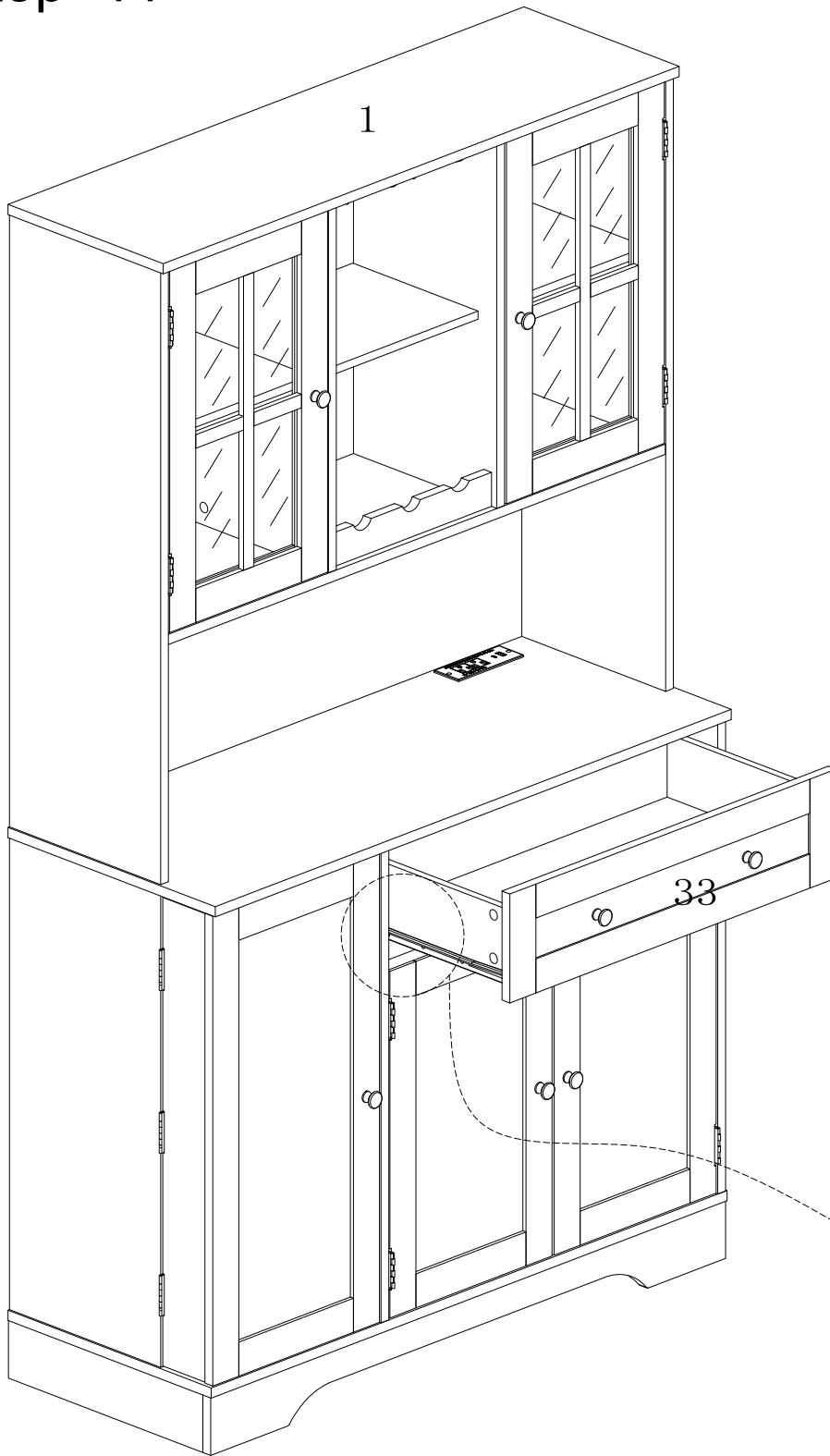
(M)



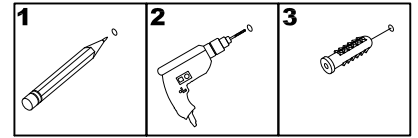
6PCS

Ø3*12

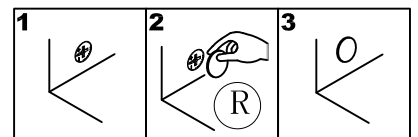
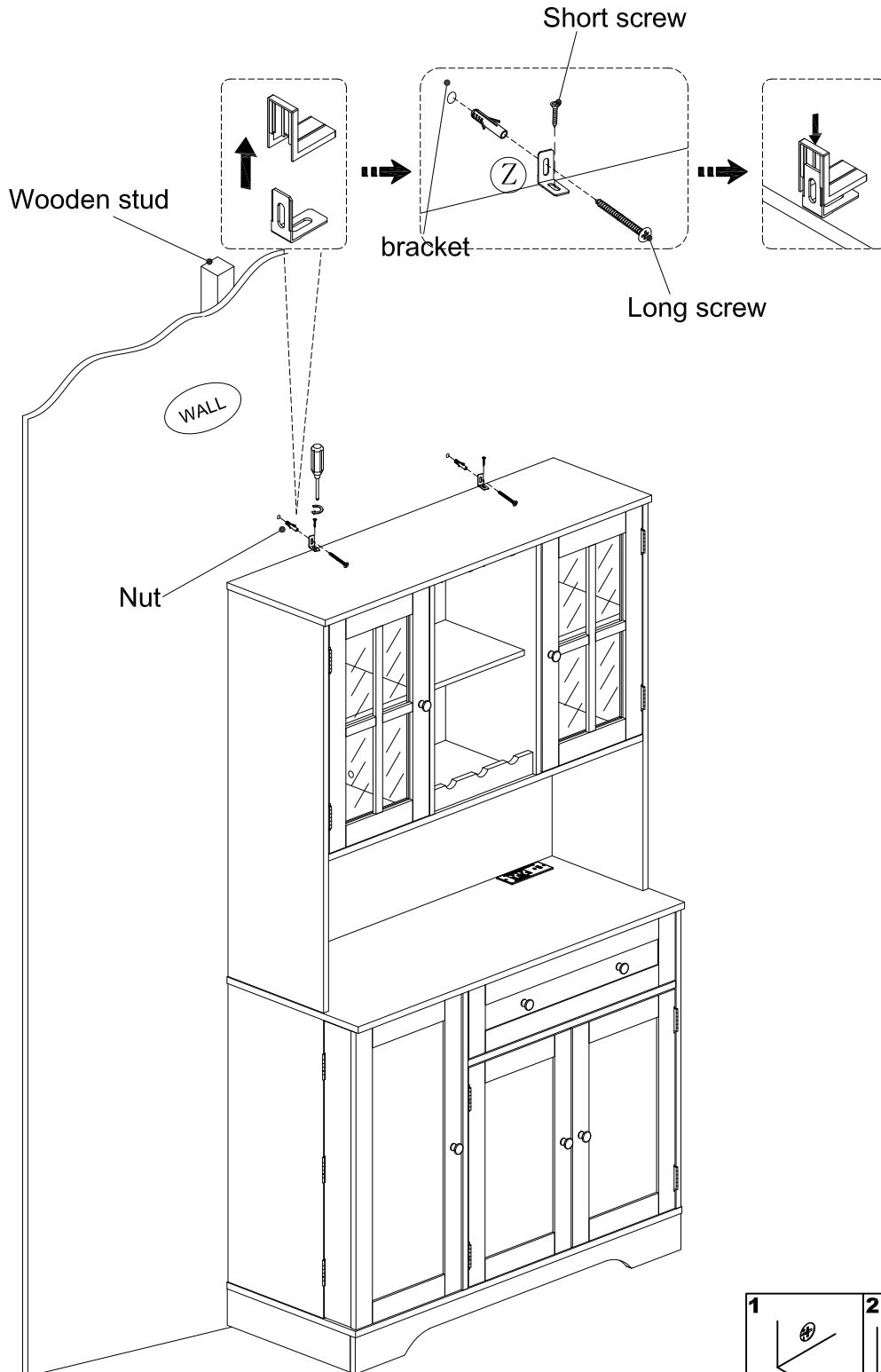
Step 44



Step 45



Serious or fatal injuries can occur from furniture tipping over. To prevent the furniture from tipping over we recommend that it is permanently fixed to the wall. Wall anchor and hardware are included with this product. Please make sure hardware is suitable for your walls before installing, as different wall materials may require different types of anchors.



Step 46



Final Assembly