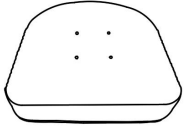


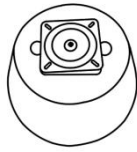
ASSEMBLY INSTRUCTION

<<Before assembling, read all the instruction>>



1PCS

A



1PCS

B



4PCS

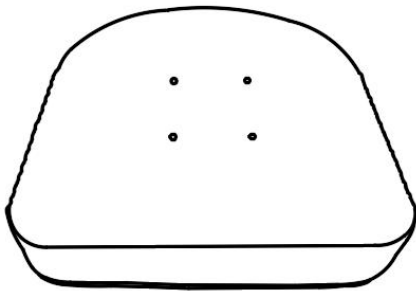
C



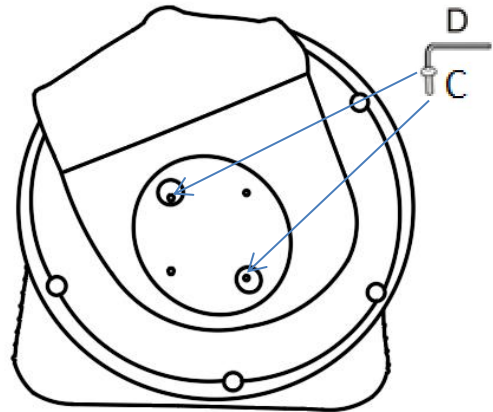
M6

1PCS

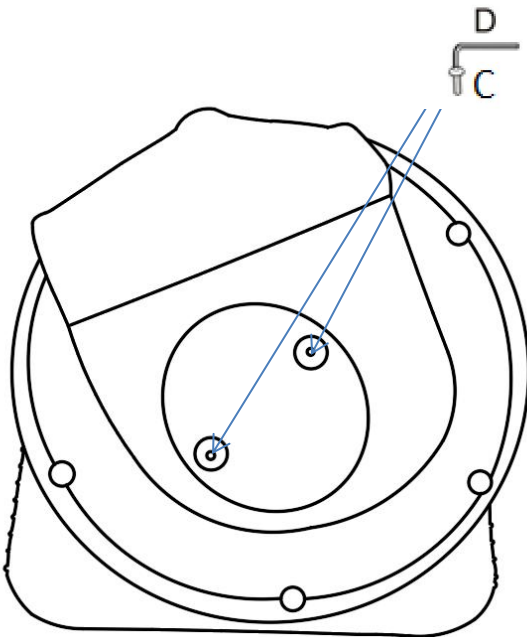
First, open the zipper under the base.



Second, align the base with the screw holes at the bottom of the chair. Only two screw holes can be aligned at a time and then screw the screws.



Thirdly, rotate the base so that the holes in the base align with the other two screw holes at the bottom of the chair.



Finally, zip up the base of the chair and the swivel chair is installed.

