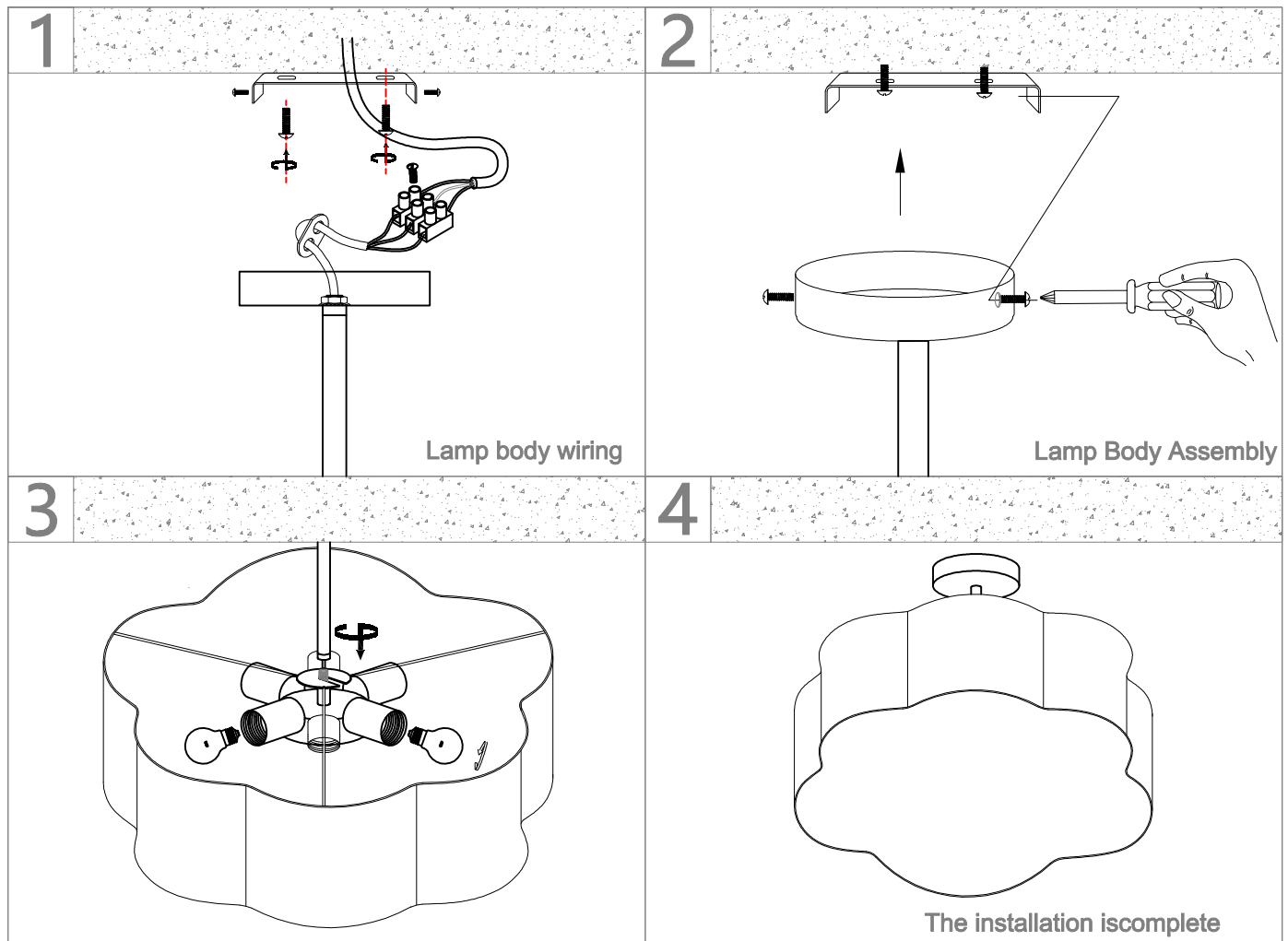


Product Installation Instructions



1. When installing this product, please confirm the installation scheme and the weight that the ceiling or wall can bear;

2. Drive in expansion screws and fix the lamp body on the ceiling with self tapping screws, but ensure that 110V city wires pass through the inlet holes of the lamp body, and ensure that the installation is firm; [As shown in Figure 1]

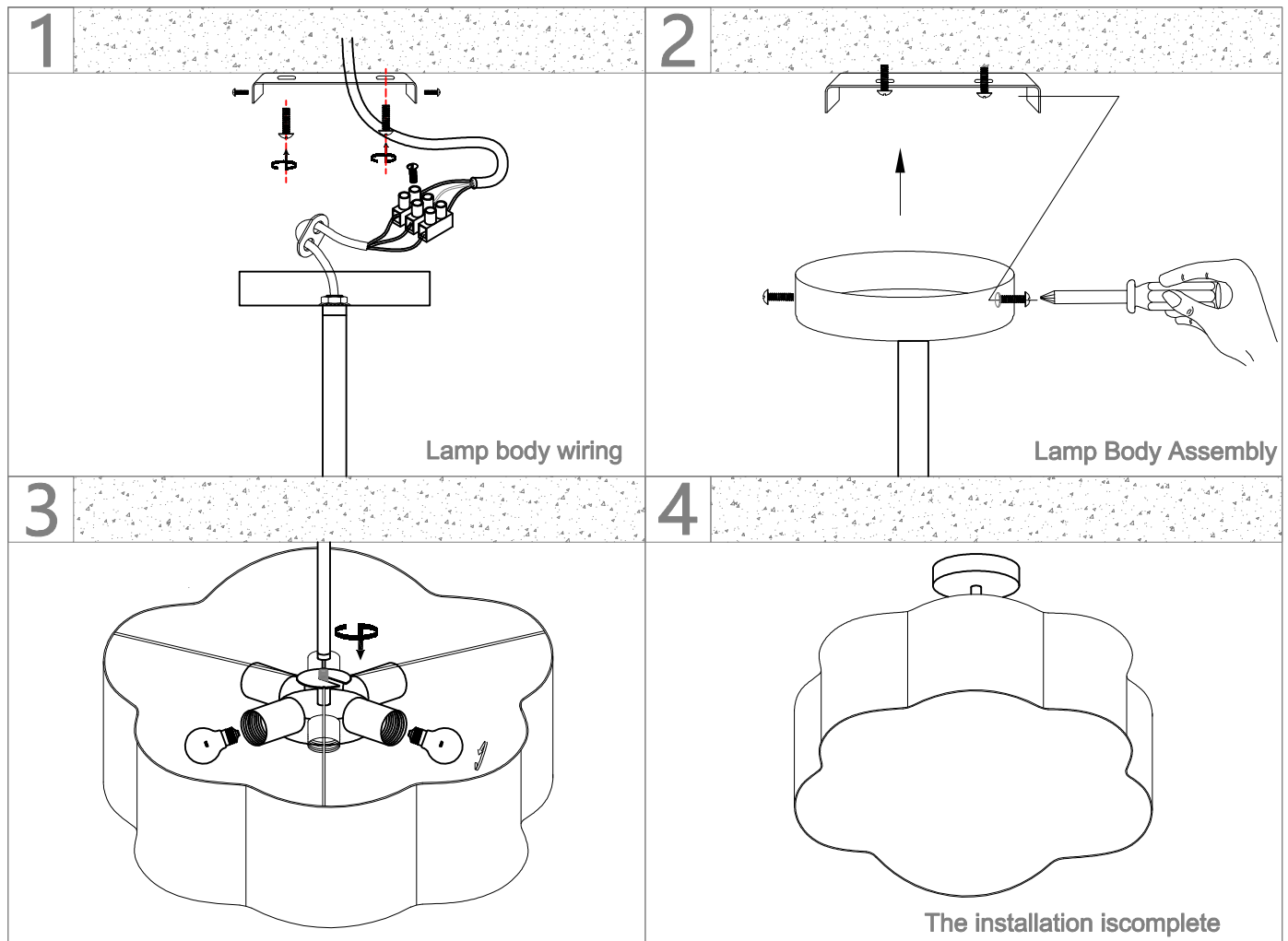
3. Connect the 110V mains power to one end of the terminal block, with the live wire connected to L, the neutral wire connected to N, and the ground wire. When wiring, pay attention to the good contact of the wire, and the copper wire at the tail end is not exposed; [As shown in Figure 2]

4. Connect the power cord, align the hole on the ceiling pan with the hanging plate screw, and then lock the twig nut. Adjust the height of the lamp body. Just press the extension piece of the tension head with your hand to adjust the height! [As shown in Figure 3]

5. After confirming that the installation is correct, the power can be turned on for normal use. [As shown in Figure 4]

Turn off the power when cleaning! Please do not use chemical cleaner when cleaning, just wipe it with dry cloth!

Product Installation Instructions



1. When installing this product, please confirm the installation scheme and the weight that the ceiling or wall can bear;

2. Drive in expansion screws and fix the lamp body on the ceiling with self tapping screws, but ensure that 110V city wires pass through the inlet holes of the lamp body, and ensure that the installation is firm; [As shown in Figure 1]

3. Connect the 110V mains power to one end of the terminal block, with the live wire connected to L, the neutral wire connected to N, and the ground wire. When wiring, pay attention to the good contact of the wire, and the copper wire at the tail end is not exposed; [As shown in Figure 2]

4. Connect the power cord, align the hole on the ceiling pan with the hanging plate screw, and then lock the twig nut. Adjust the height of the lamp body. Just press the extension piece of the tension head with your hand to adjust the height! [As shown in Figure 3]

5. After confirming that the installation is correct, the power can be turned on for normal use. [As shown in Figure 4]

Turn off the power when cleaning! Please do not use chemical cleaner when cleaning, just wipe it with dry cloth!