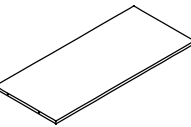
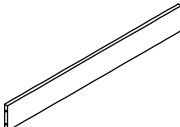
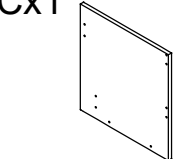
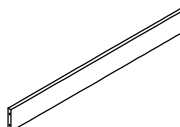
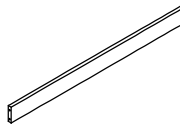



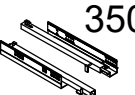
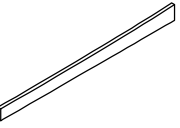
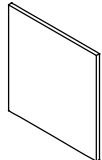

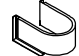


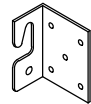


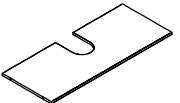
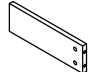
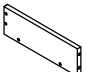
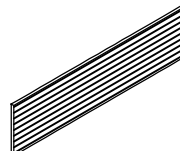
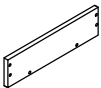




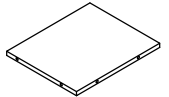
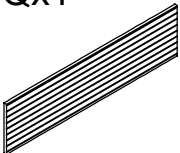
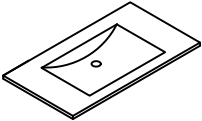


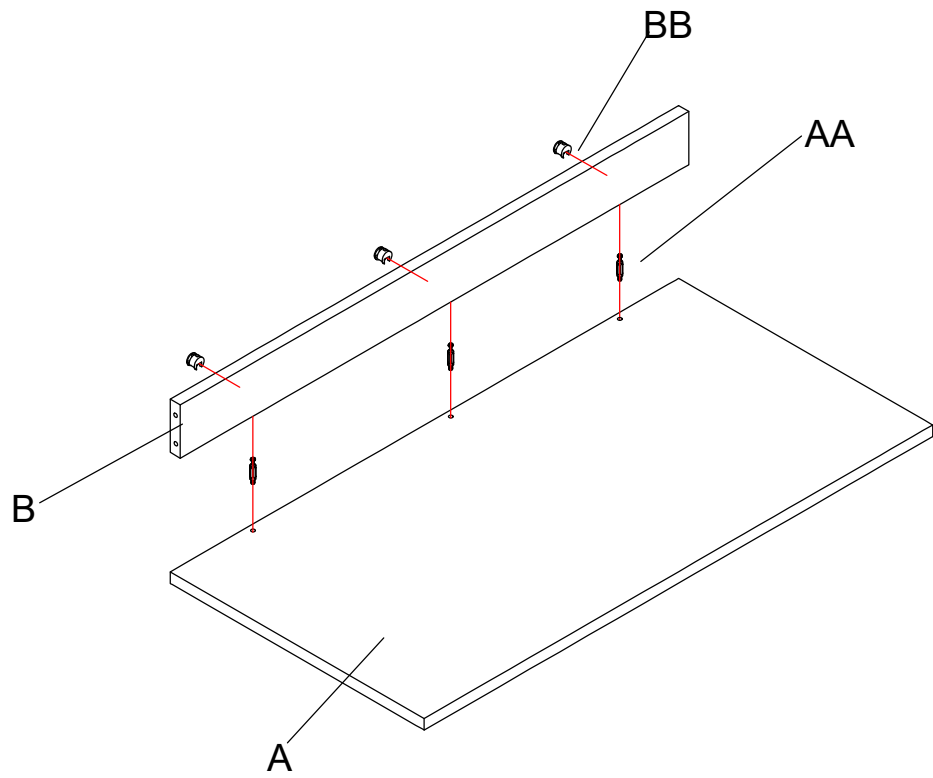


Ax1 	Bx1 	Cx1 	Dx1 	Ex1 	AAx60 	BBx60 	CCx49 	DDx2 
Fx1 	Gx1 	Hx1 	Ix1 	Jx1 	EEx2 	FFx2 	GGx2 	HHx2 
Kx1 	Lx2 	Mx2 	Nx1 	Ox1 	IIx2 	JJx2 	KKx2 	LLx4 
Px1 	Qx1 	Rx1 			MMx1 	NNx1 		

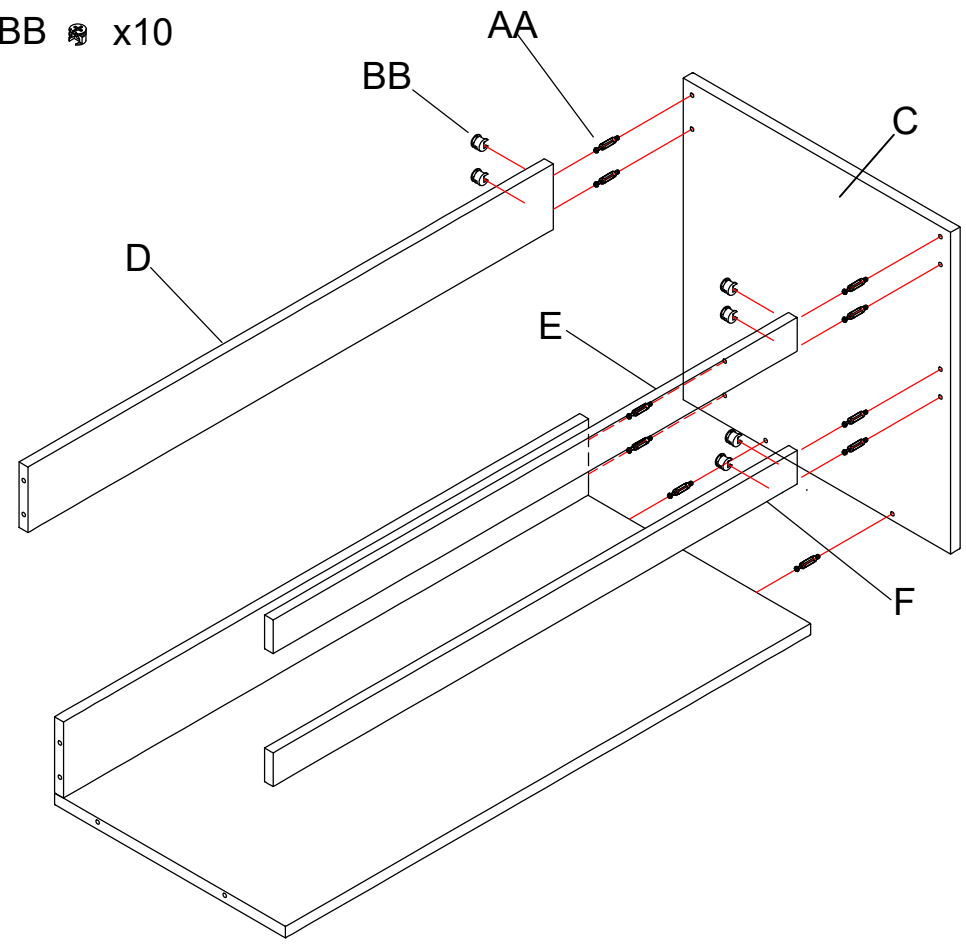
AA  x3

BB  x3



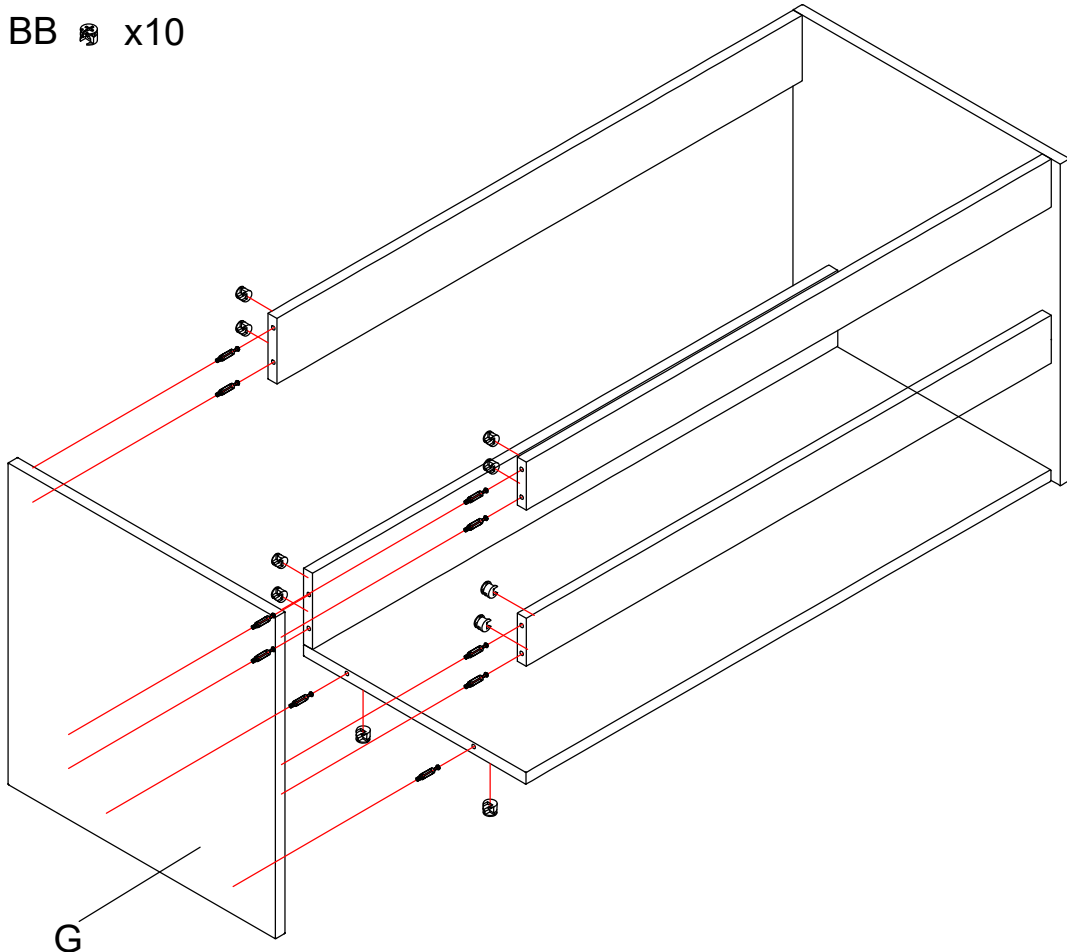
AA  x10

BB  x10




AA  x10

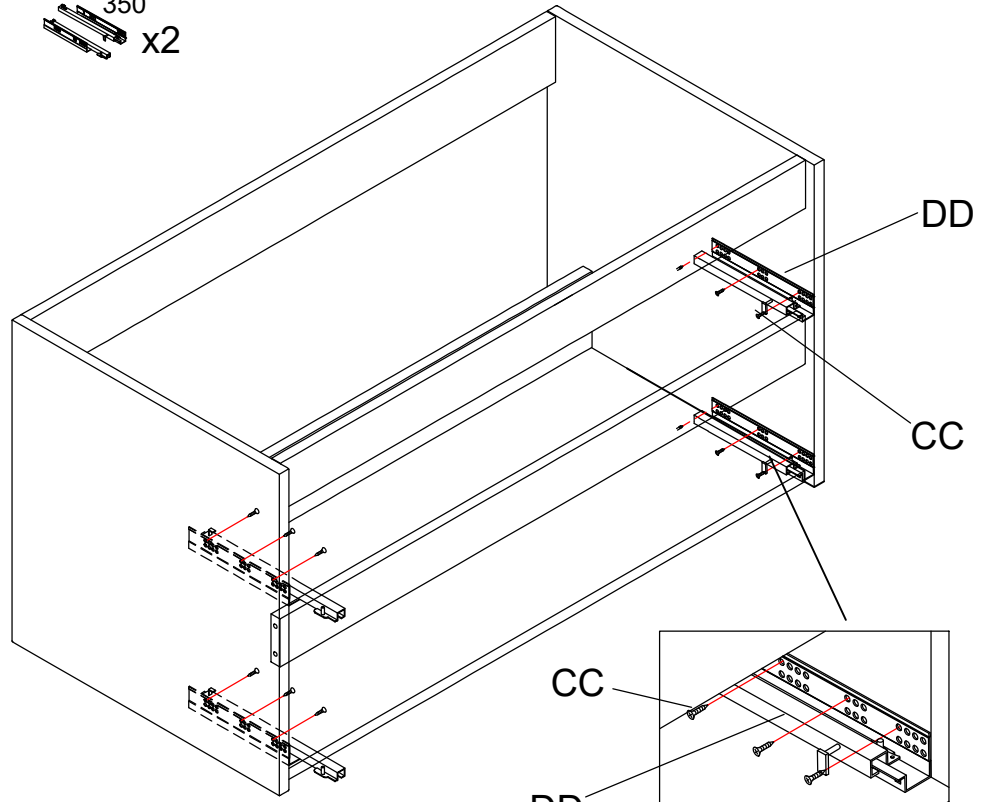
BB  x10



G

CC  x12

DD  350 x2

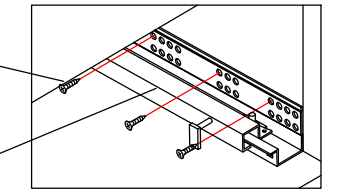


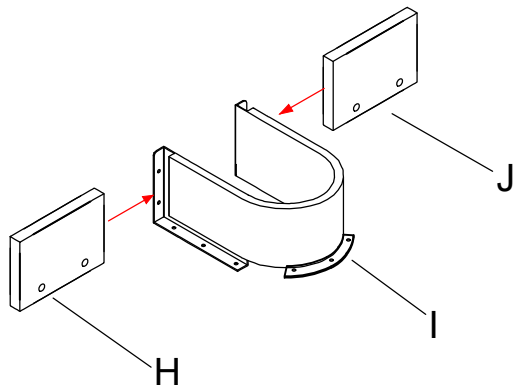
DD

CC

CC

DD

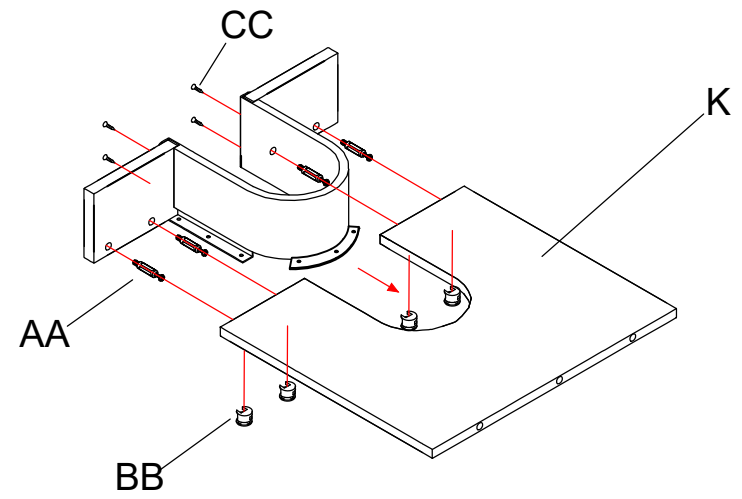




AA  x4

BB  x4

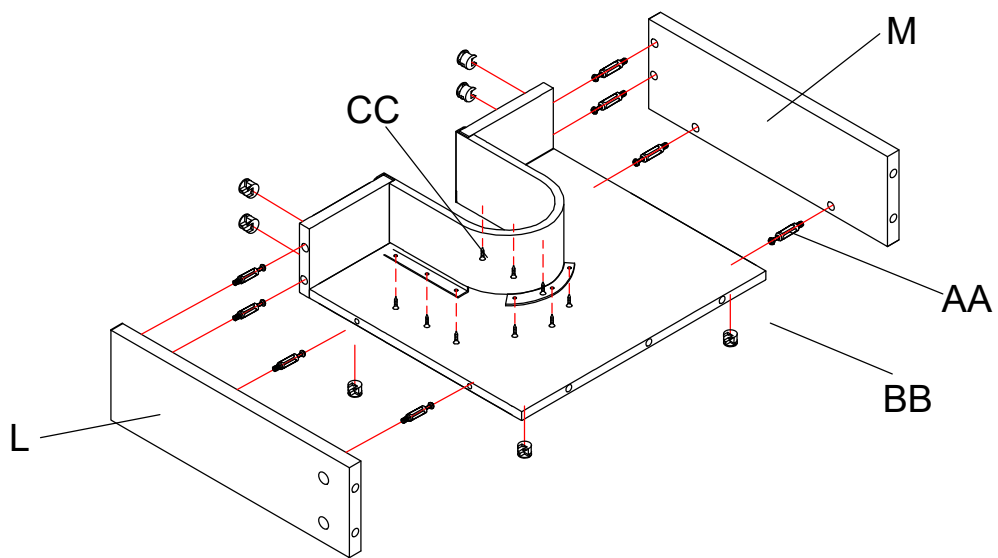
CC  x4



AA  x8

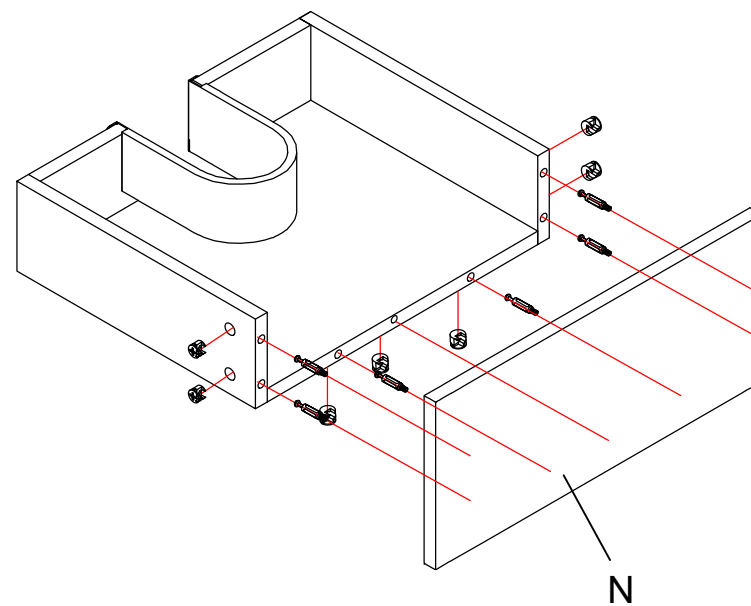
BB  x8

CC  x9



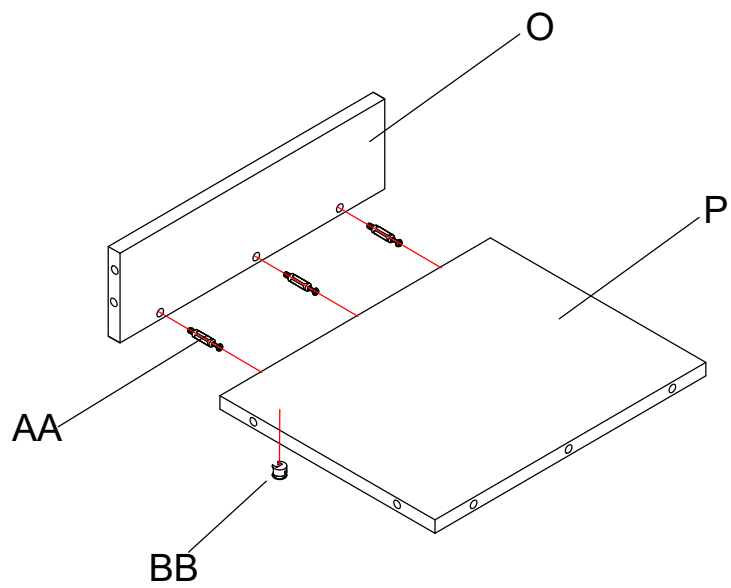
AA  x7

BB  x7



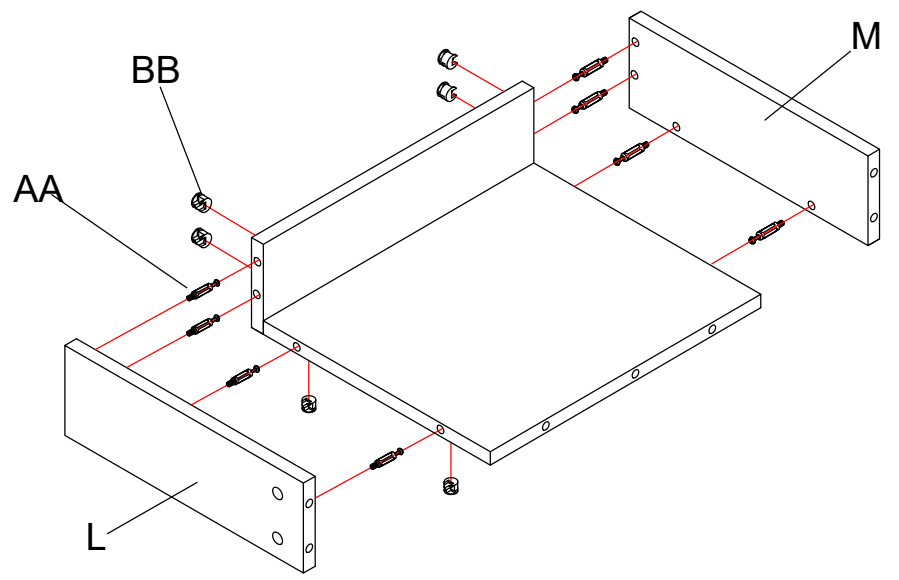
AA  x3

BB  x3

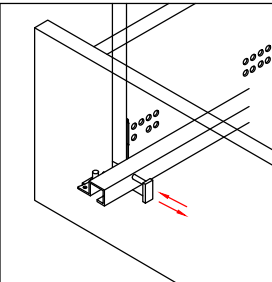
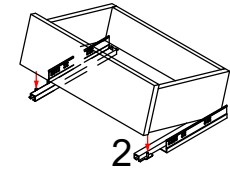
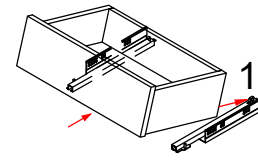
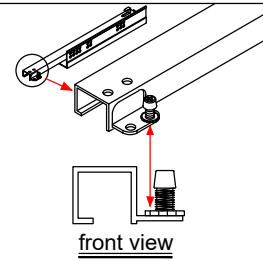
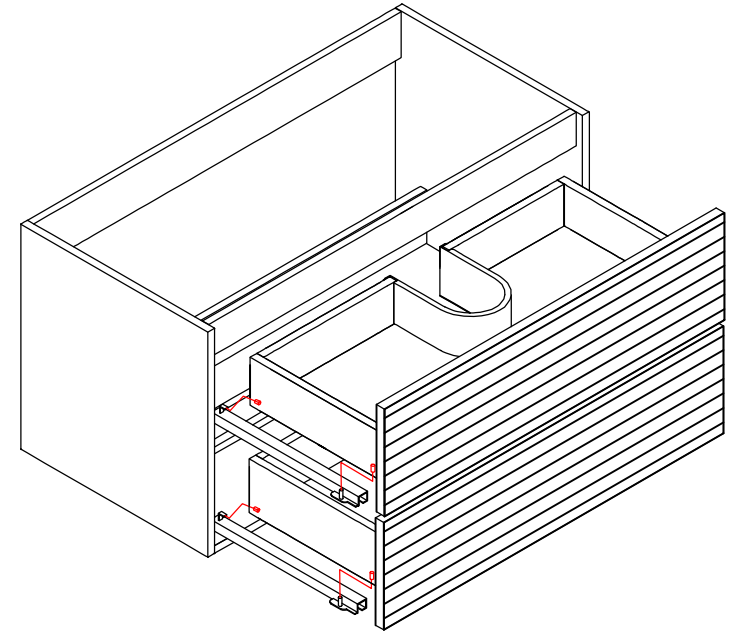
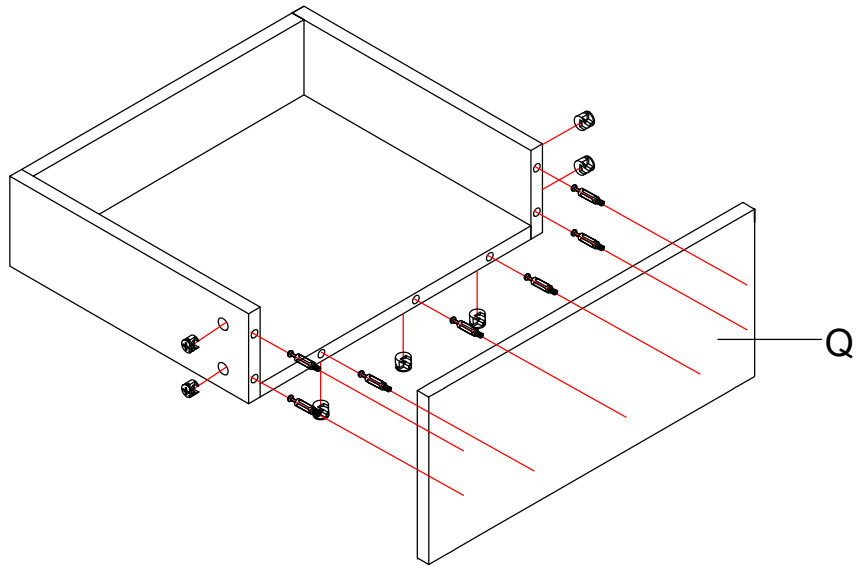


AA  x8

BB  x8



- AA  x7
- BB  x7



1. Check that the nut is screwed to the bottom.

2. Tilt the drawer down, and slide the drawer inside along the rails.

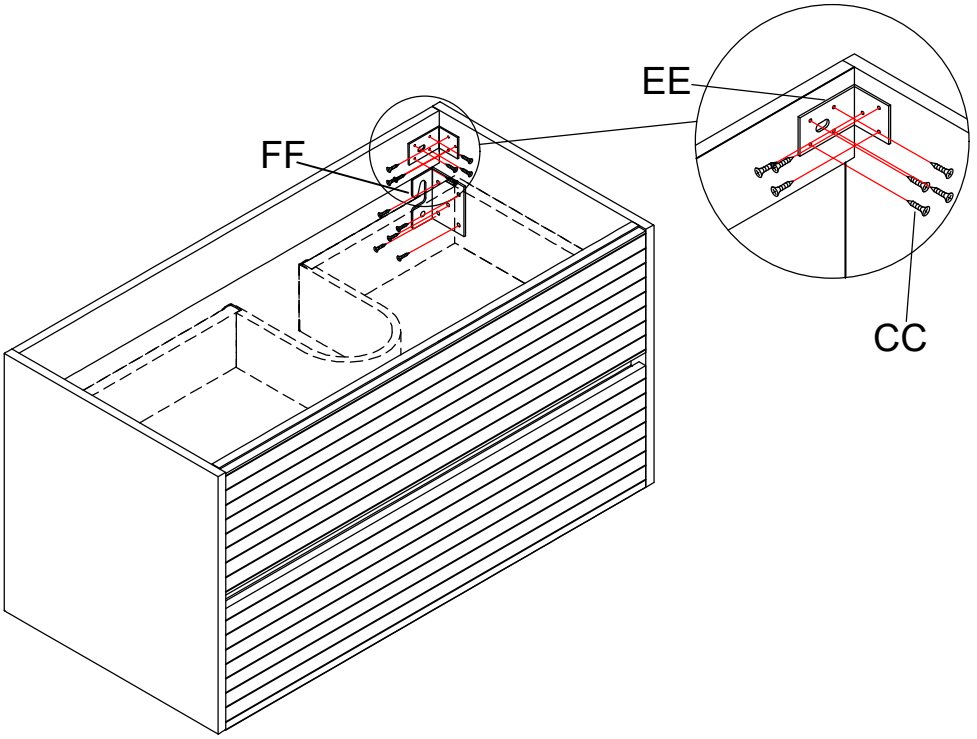
3. Put the drawer down naturally.

4. Push to lock
Pull to unlock

CC  x24

EE  x2

FF  x2




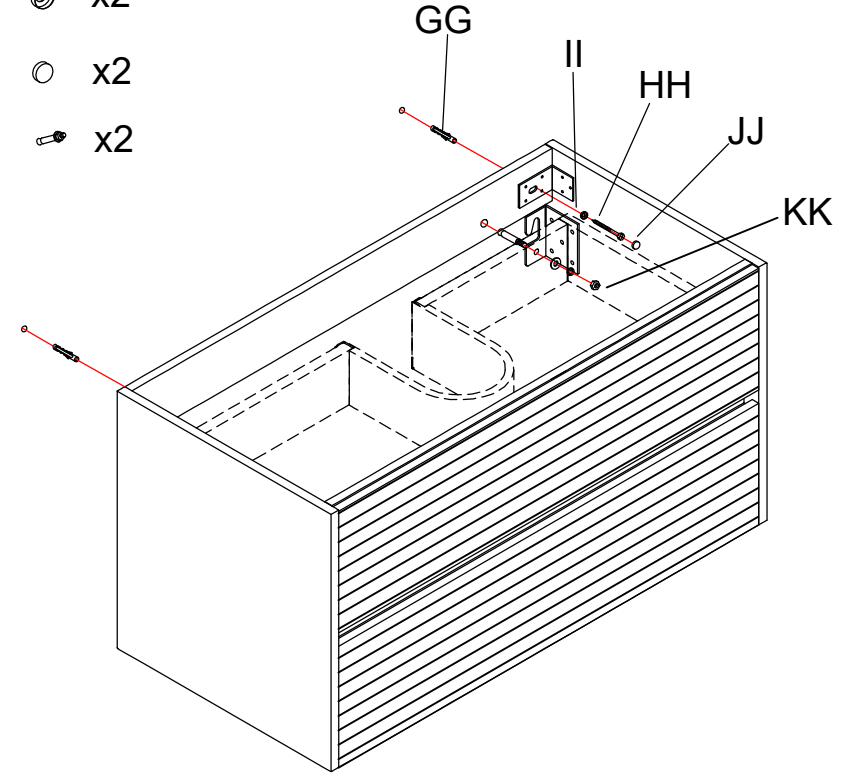
GG  x2

HH  x2

II  x2

JJ  x2

KK  x2



LL  x4

