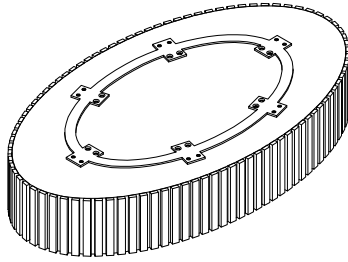
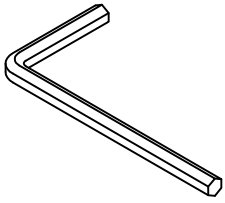


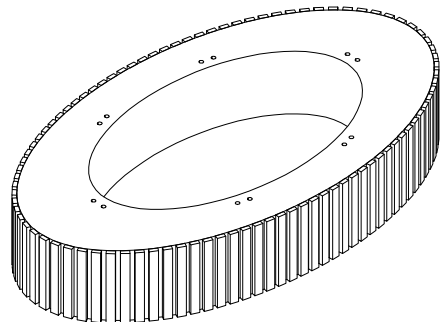
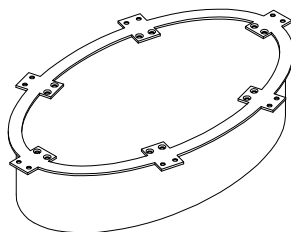
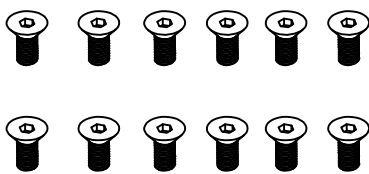
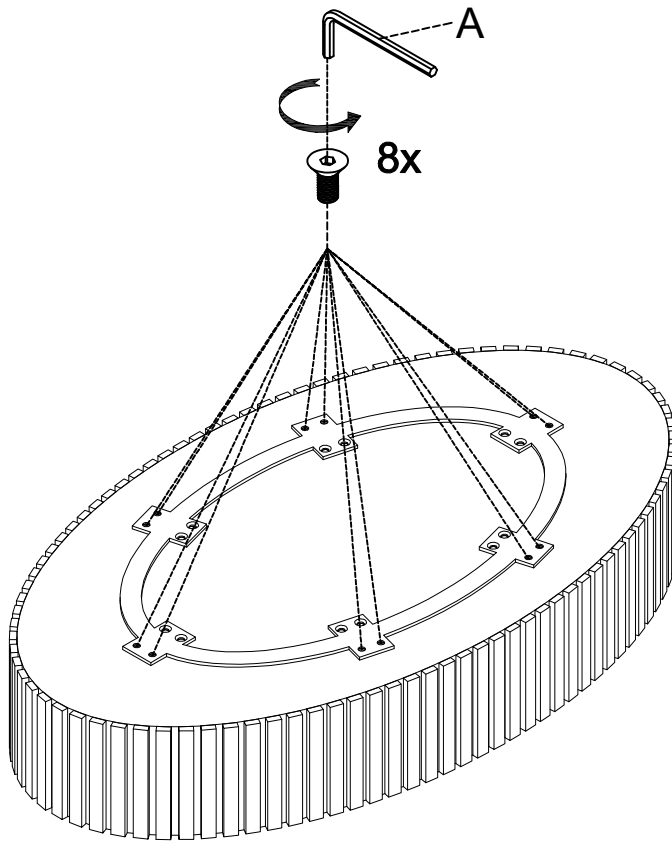
Installation & Assembly

A*1

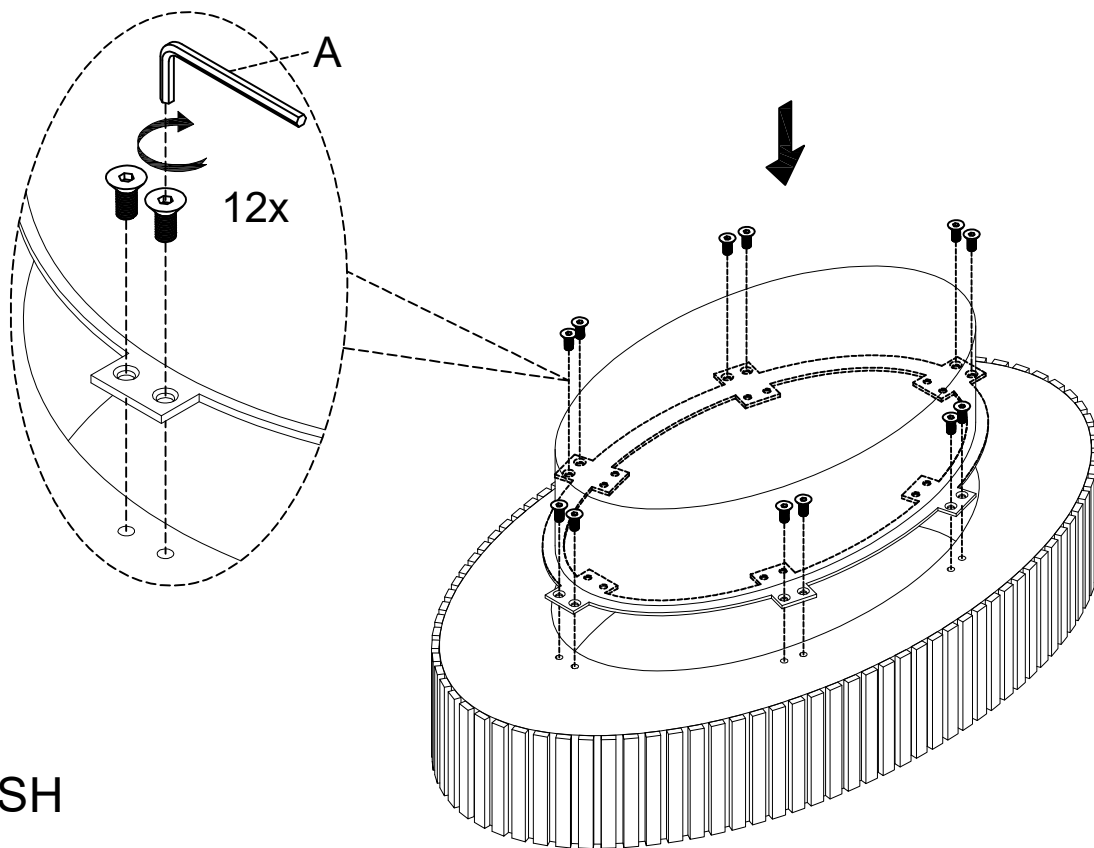
P1*1



STEP 1



STEP 2



FINISH

