

# Instruction Manual

---

## Ergonomic Office Table



## Limited 1-Year Manufacturer Warranty on [ergomaxoffice.com](http://ergomaxoffice.com)

### Manufacturer warranty covers:

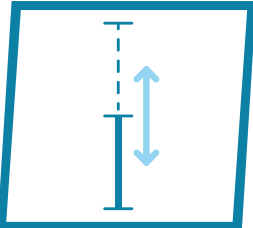
- Parts that are deemed defective within 30 days will be shipped free of charge.
- Any warranty claim after 30 days, will require shipping to be paid by the customer.

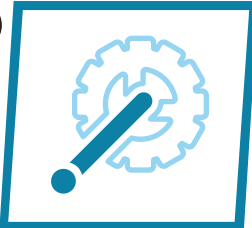
**Purchased your product online?**

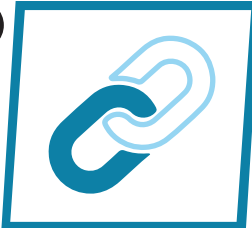
**We would really appreciate it if you can share your experience with others by reviewing our product on the website from which you purchased.**



# Heavy Duty Multi-Function Table

1  Height Adjustable

2  Manual Crank

3  Durable Material



Contents ..... 2

What is included ..... 3

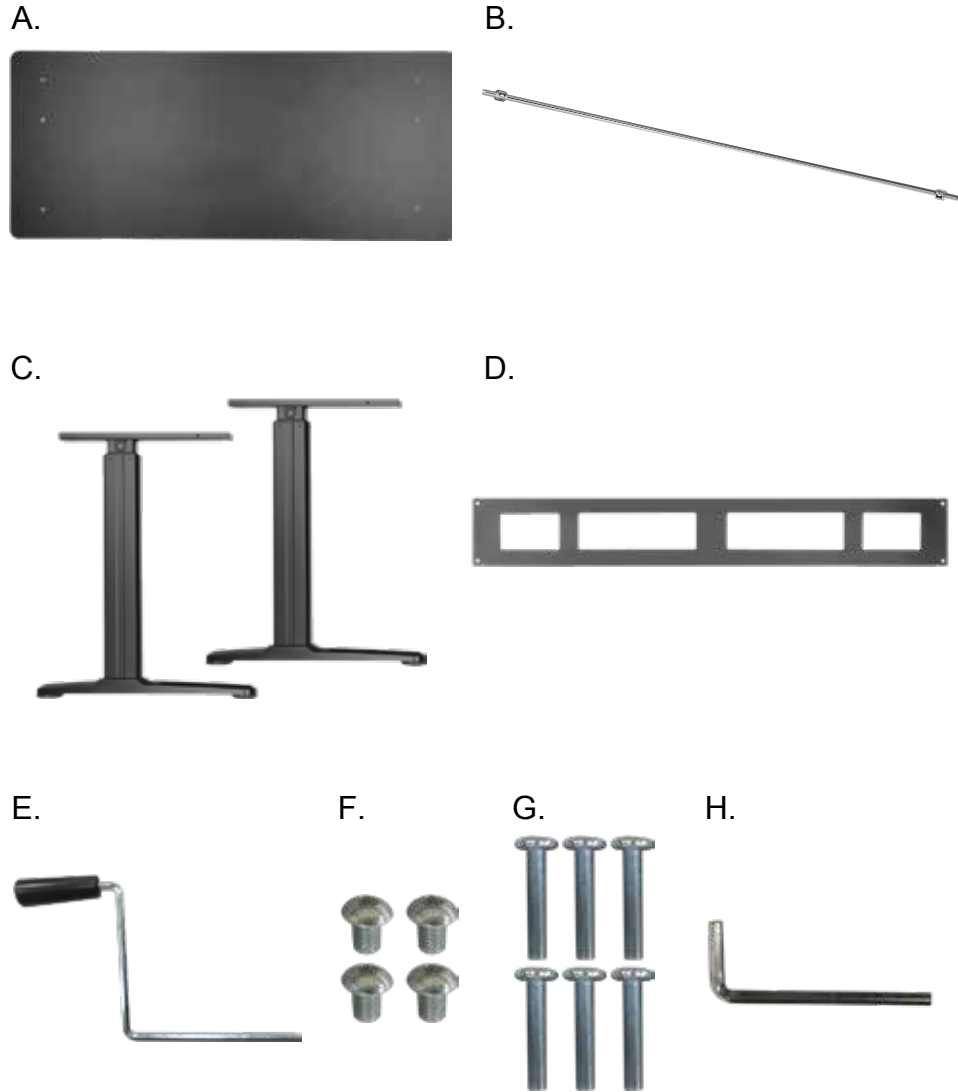
Assembly instructions ..... 4

Video Instructions ..... 5

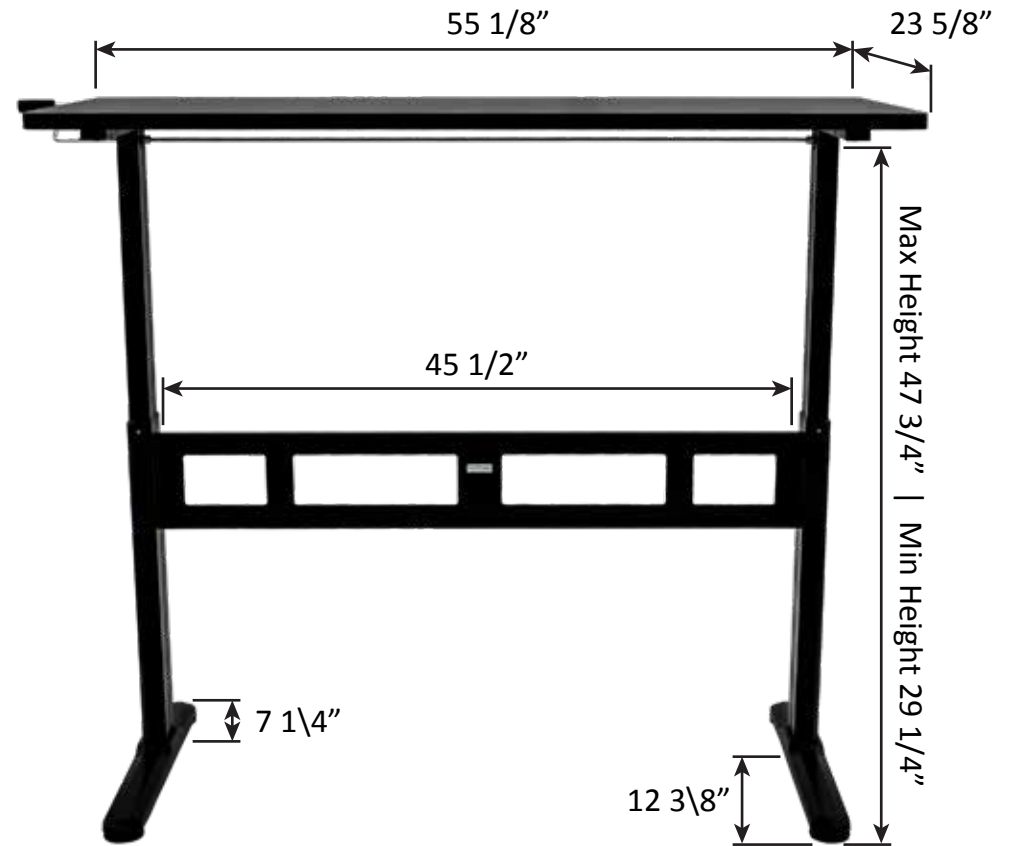
Infographics ..... 6-9

Warranty ..... 10

## What is included



## Dimensions





**Adjustable Height**

Smooth and quick height adjustment.



**Removable Crank**

Easily height adjuster.



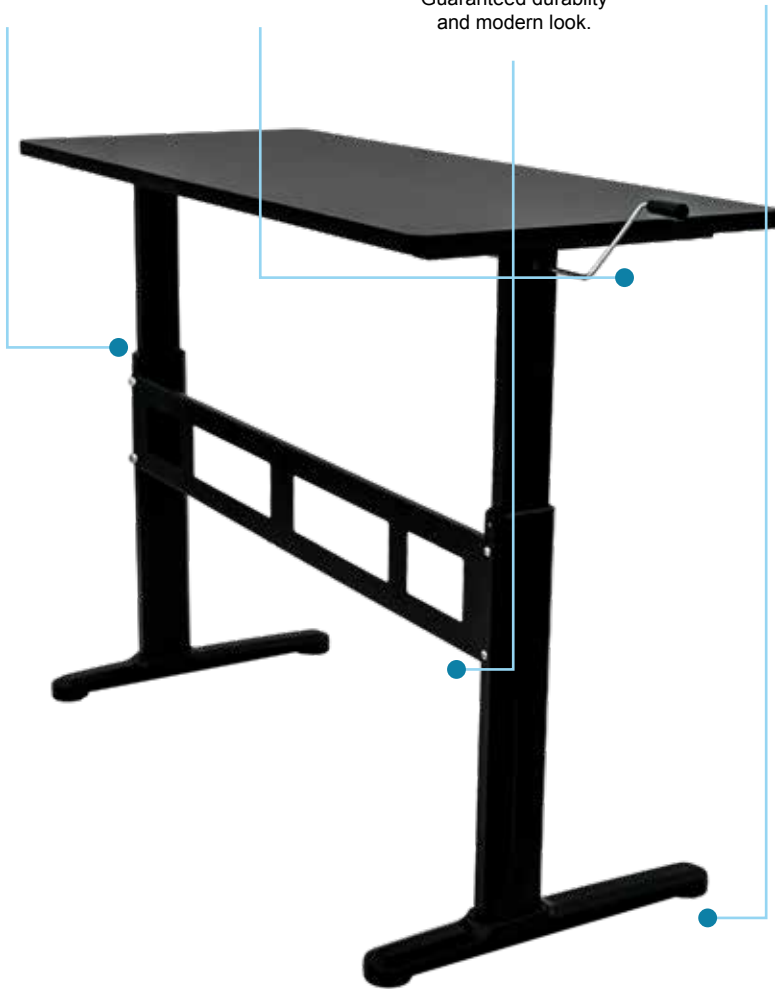
**Steel Frame with Crossbar**

Guaranteed durability and modern look.

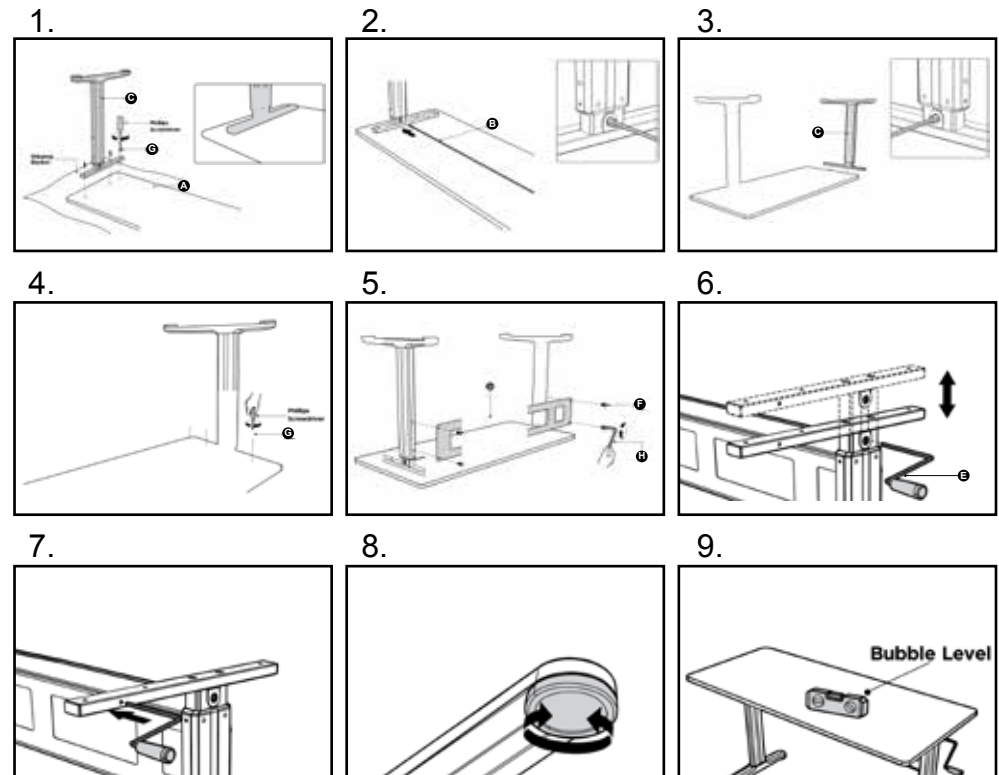
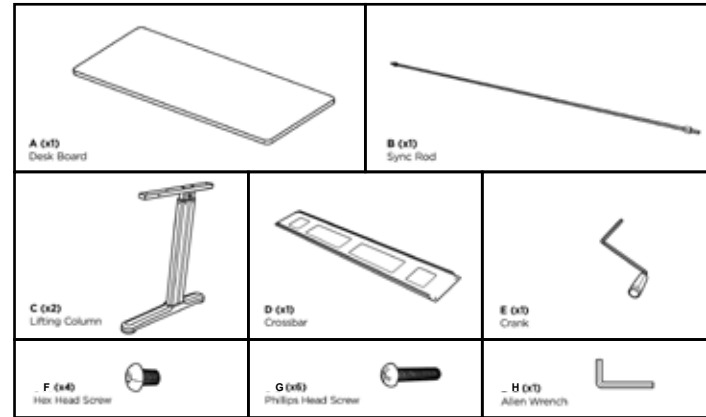


**Sturdy Base**

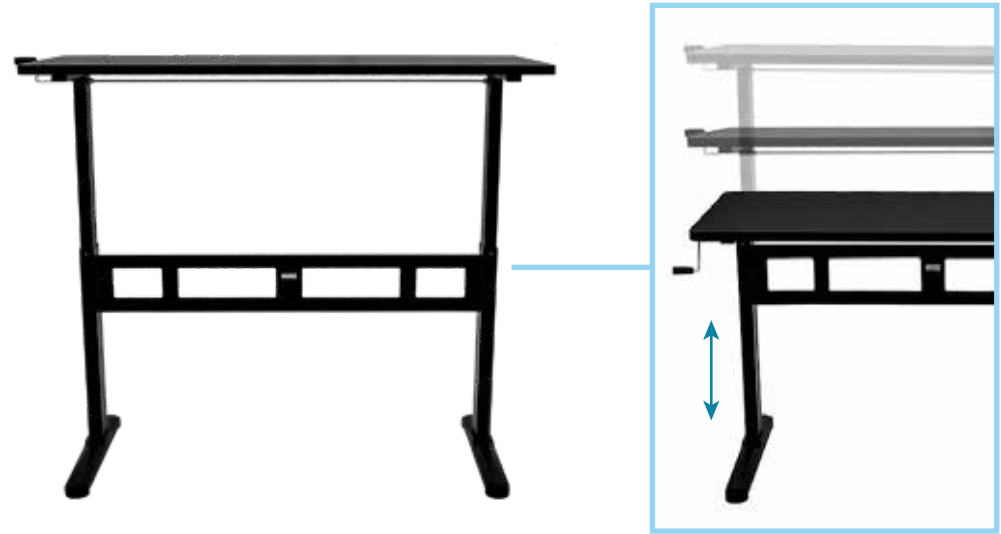
Can support up to 88lbs.



# Assembly Instructions



# Video Instructions



Minimum height of 29 inches and maximum height of 47 inches

