



WARNING!

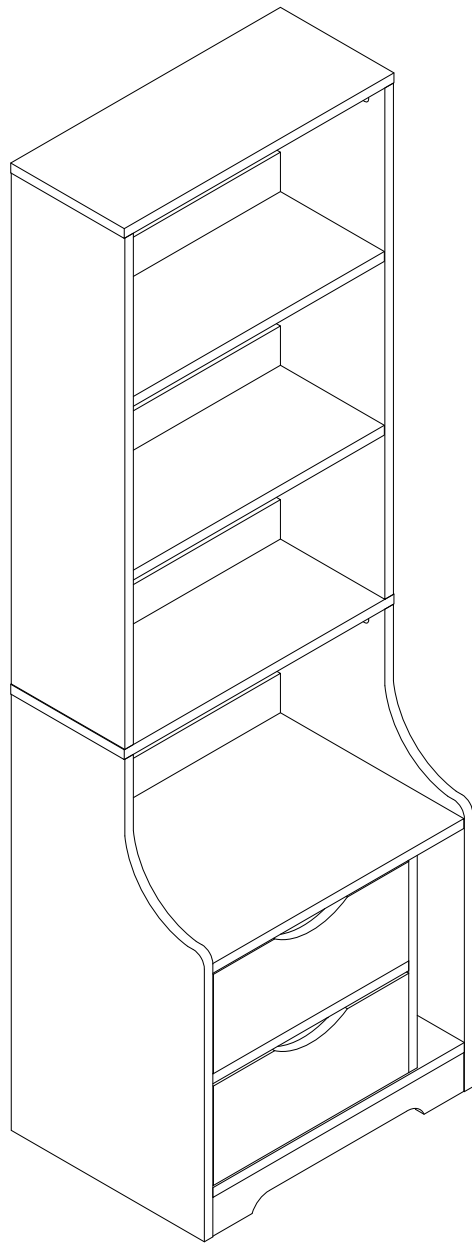
Children have died from furniture tipover. Fixed wall device have been included with this product;you must install the fixed wall device according to these instructions in order to minimize the risk of furniture.If you have any questions about this product or the Fixed wall device , please contact us immediately.

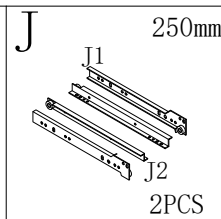
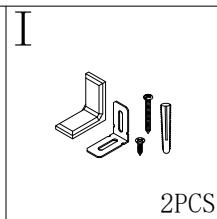
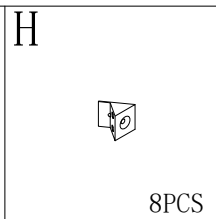
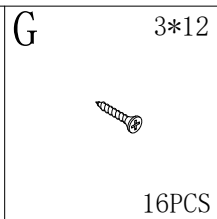
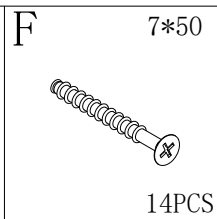
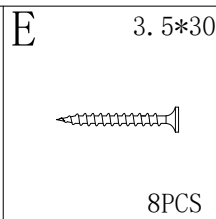
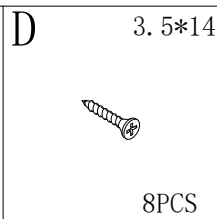
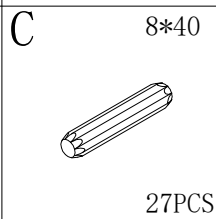
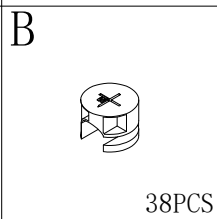
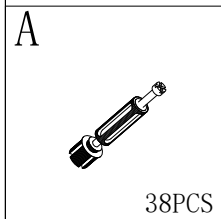
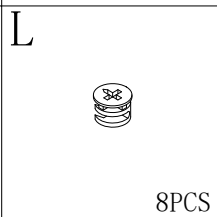
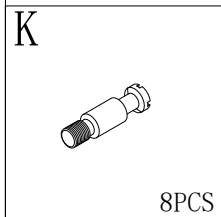
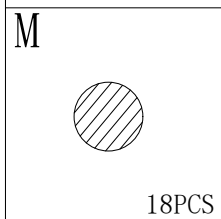
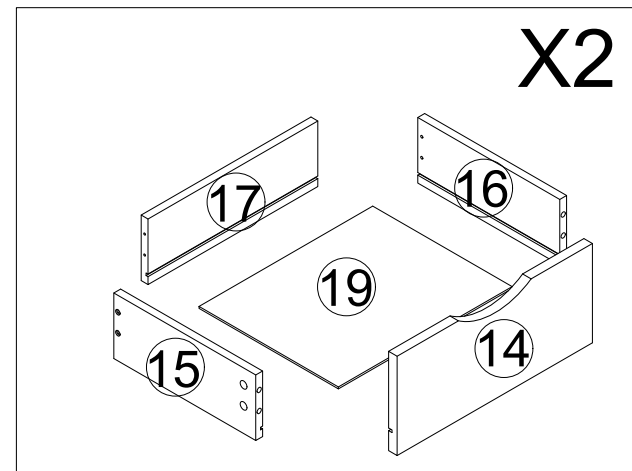
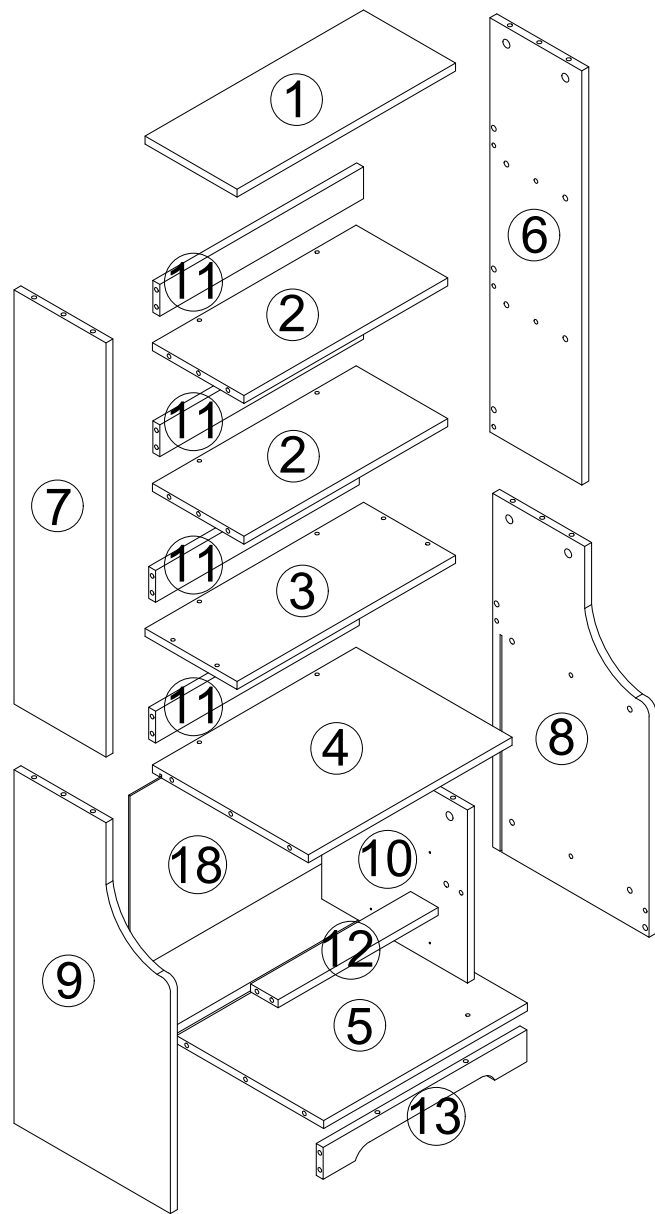
Never allow children to climb or hang on furniture,including drawers or cabiner doors.

In addition to installing the restrains,to help prevent tip-over.

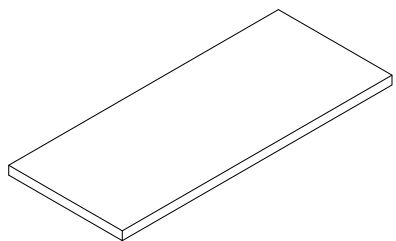
1. Never put a TV or other heavy objects on top of this product.
2. Do not stand on the product.

| ! WARNING | |
|---|--|
|  | <p>Children have died from furniture tipover. To reduce the risk of furniture tipover:</p> <ul style="list-style-type: none">• ALWAYS install tipover restraint provided.• NEVER put a TV on this product.• NEVER allow children to stand, climb or hang on drawers, doors, or shelves.• NEVER open more than one drawer at a time.• Place heaviest items in the lowest drawers.• Do not defeat or remove the drawer interlock system. |
|  | <p><i>This is a permanent label. Do not remove!</i></p> |



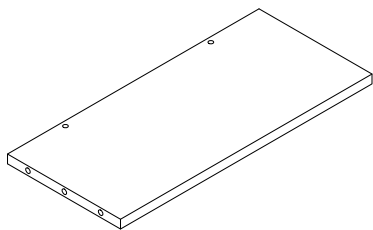


1



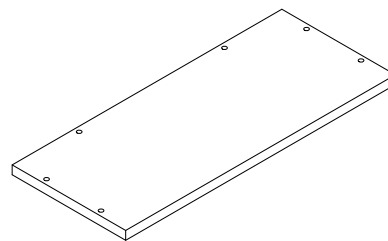
475*200 1PS

2



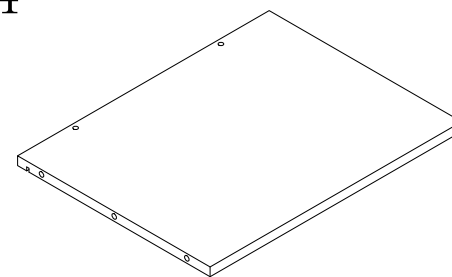
443*199 2PS

3



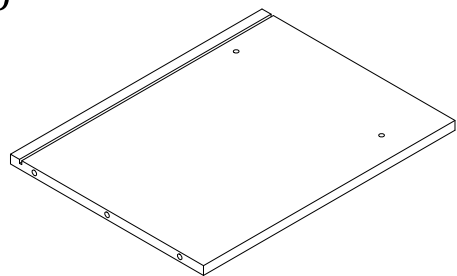
475*200 1PS

4



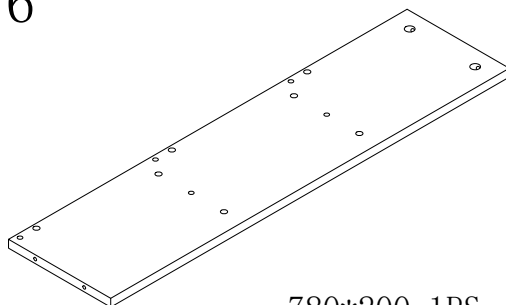
443*339 1PS

5



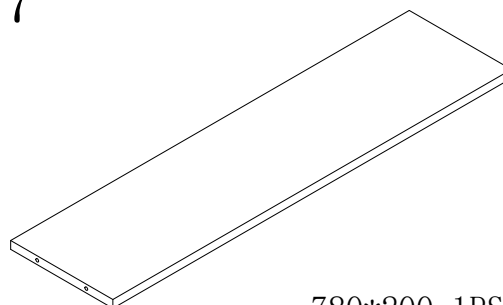
443*340 1PS

6



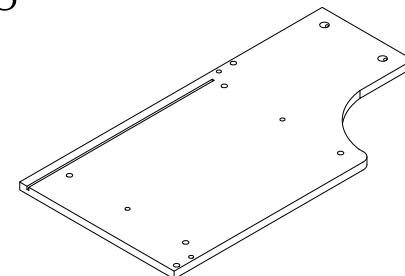
780*200 1PS

7



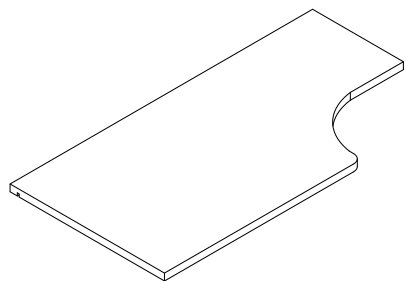
780*200 1PS

8



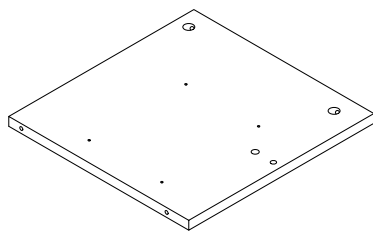
666*340 1PS

9



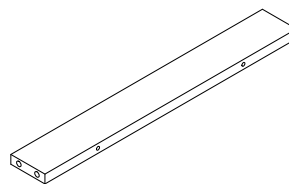
666*340 1PS

10



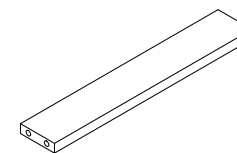
326*317 1PS

11



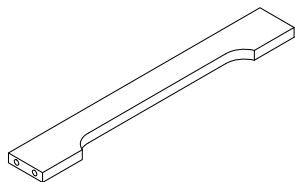
443*60 4PS

12



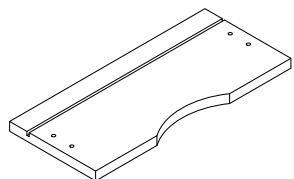
348*60 1PS

13



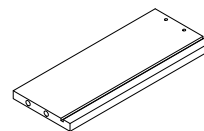
443*60 1PS

14



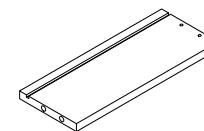
344*151.5 2PS

15



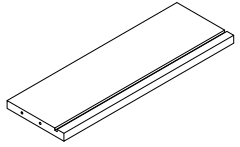
250*100 2PS

16



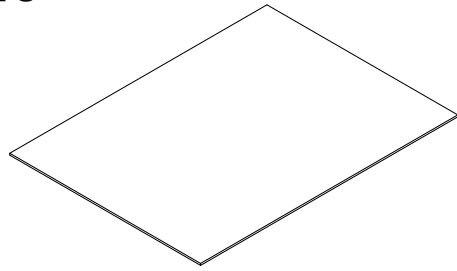
250*100 2PS

17



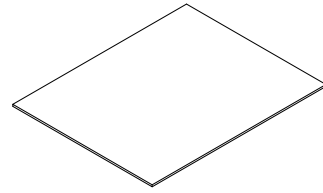
299*100 2PS

18

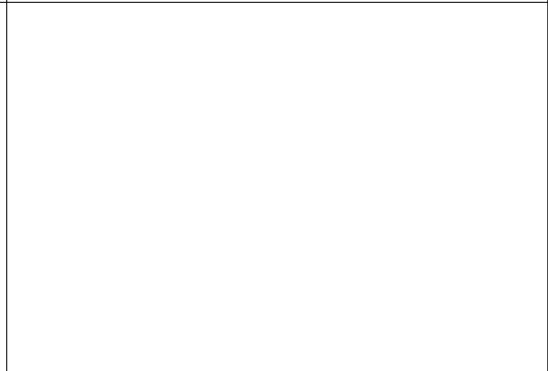
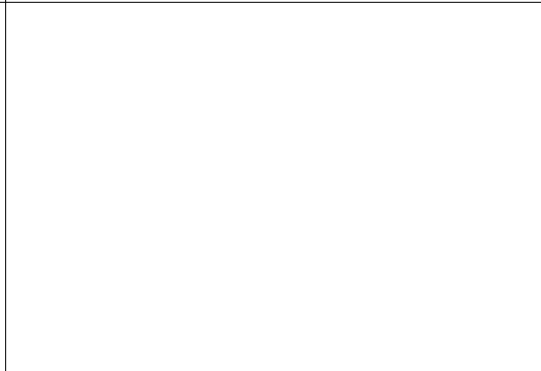
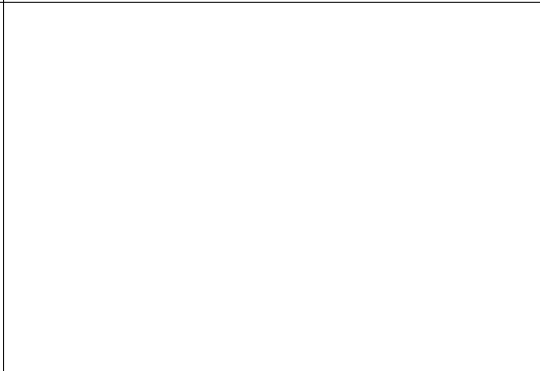
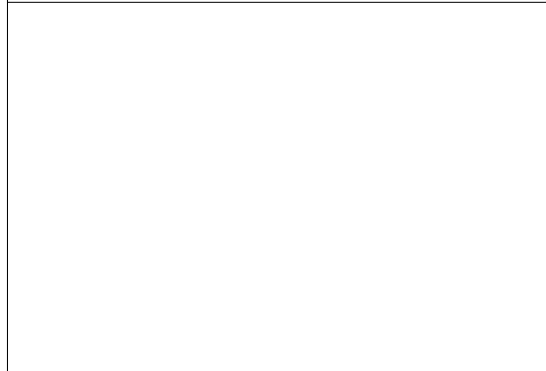
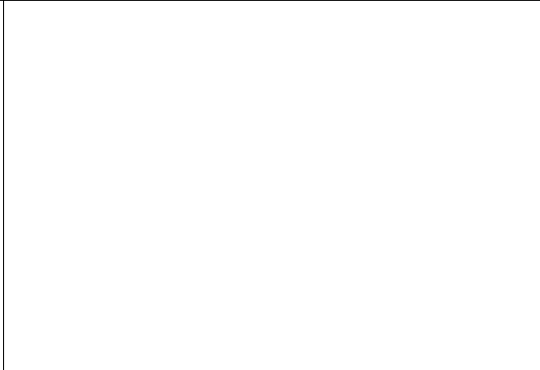
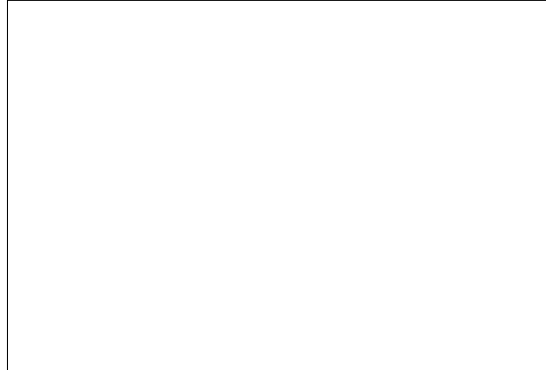
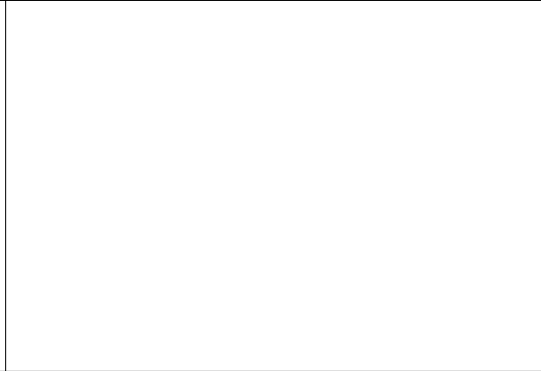


453*336 1PS

19

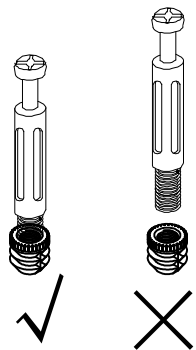


306*245.5 2PS



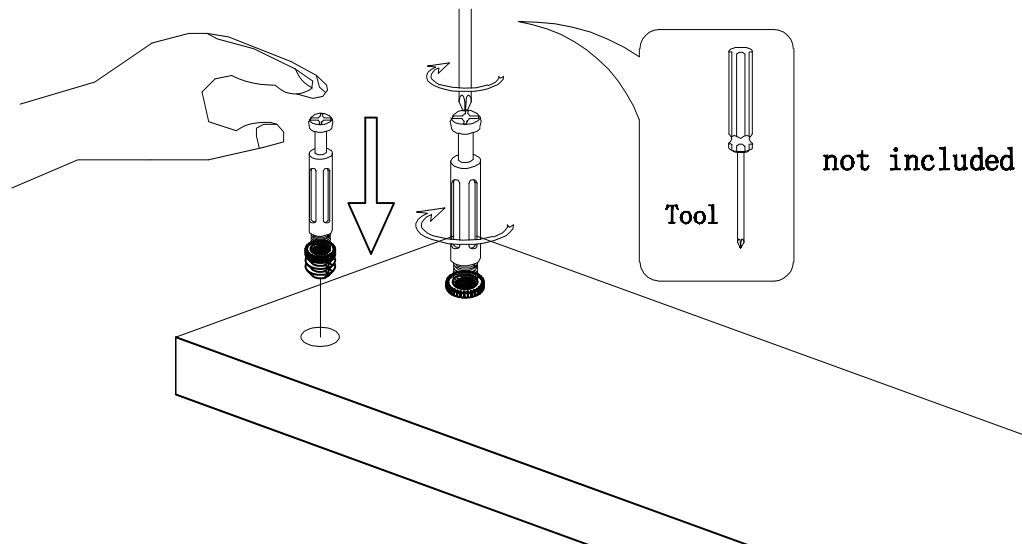
"A" Hardware installation example

I

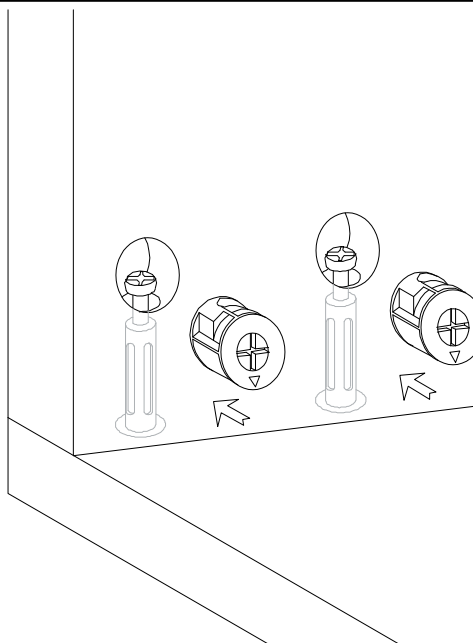


This part cannot be separated,
please install in strict
accordance with the assembly
requirements

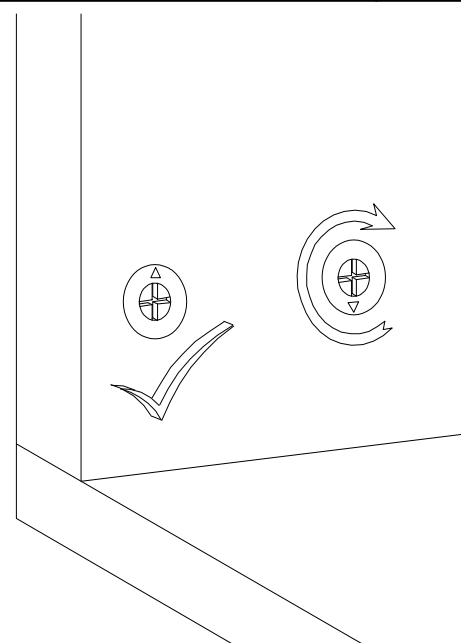
II



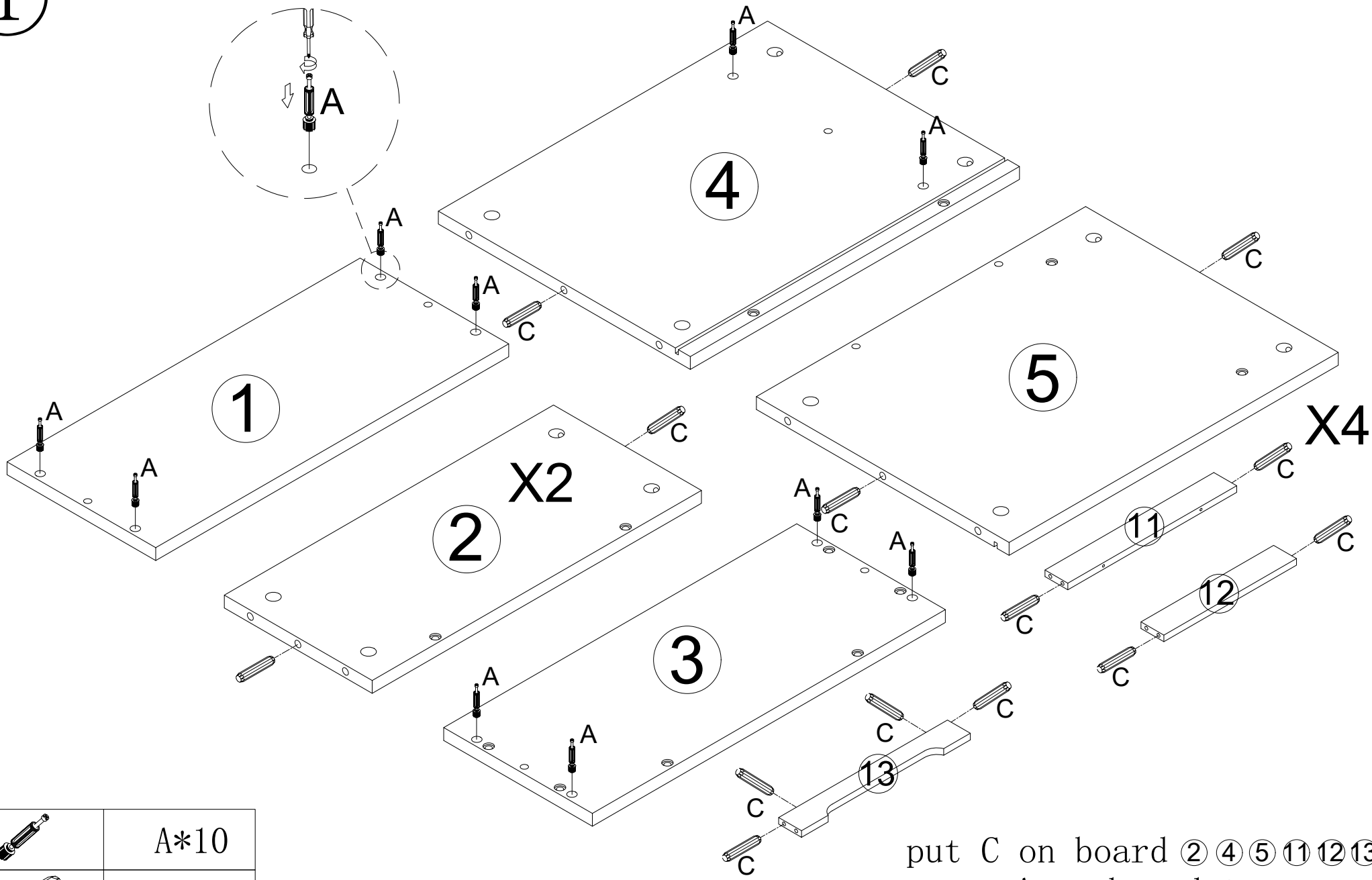
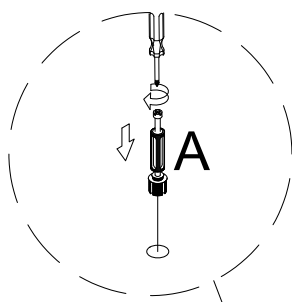
III


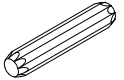


IV



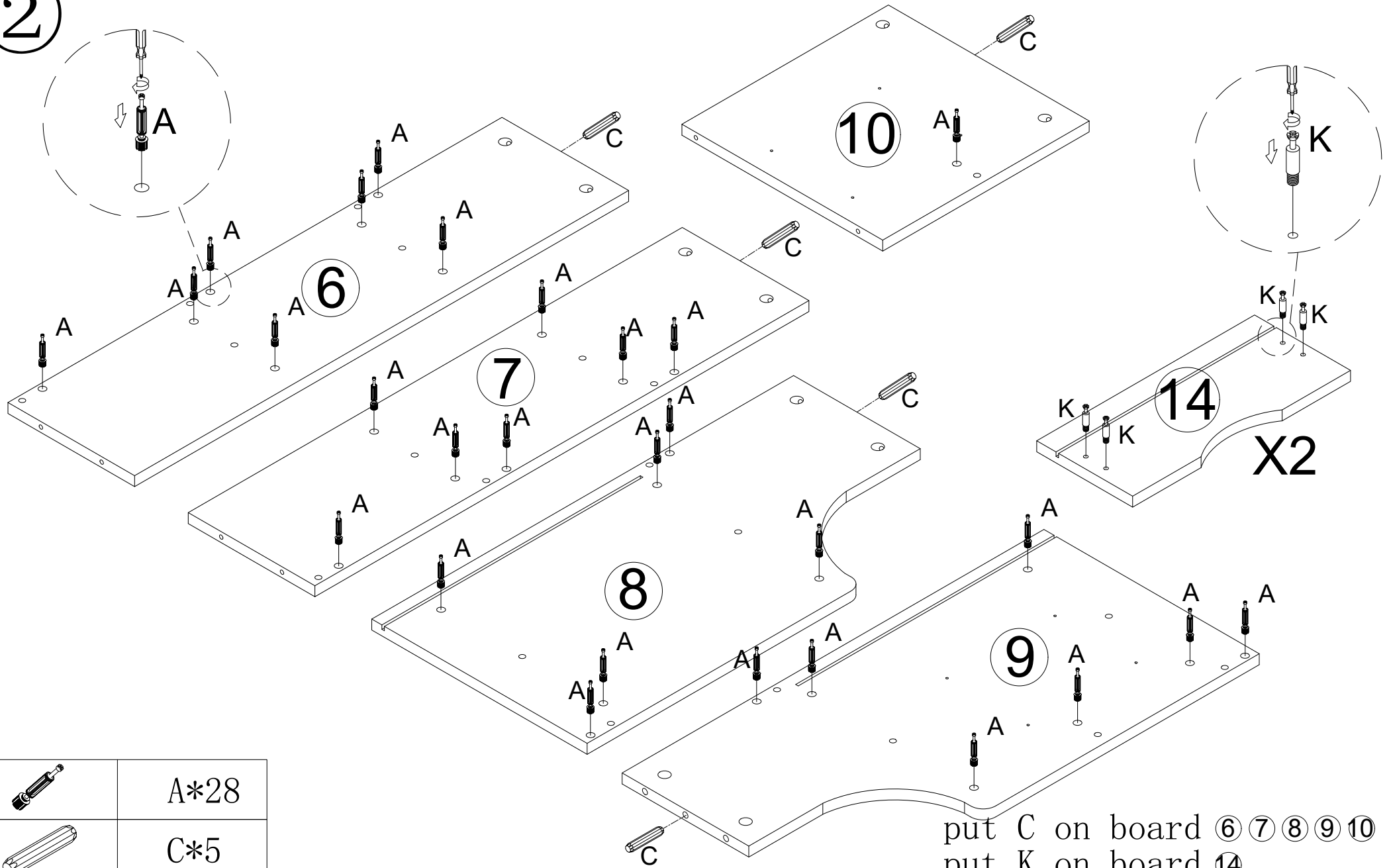
1


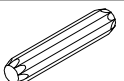
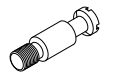


| | |
|---|------|
|  | A*10 |
|  | C*22 |

put C on board ②④⑤⑪⑫⑬
 put A on board ①③④

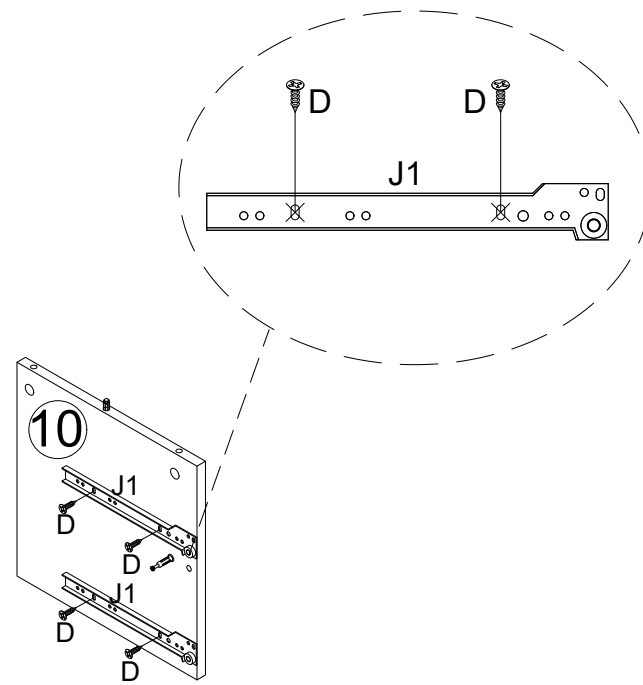
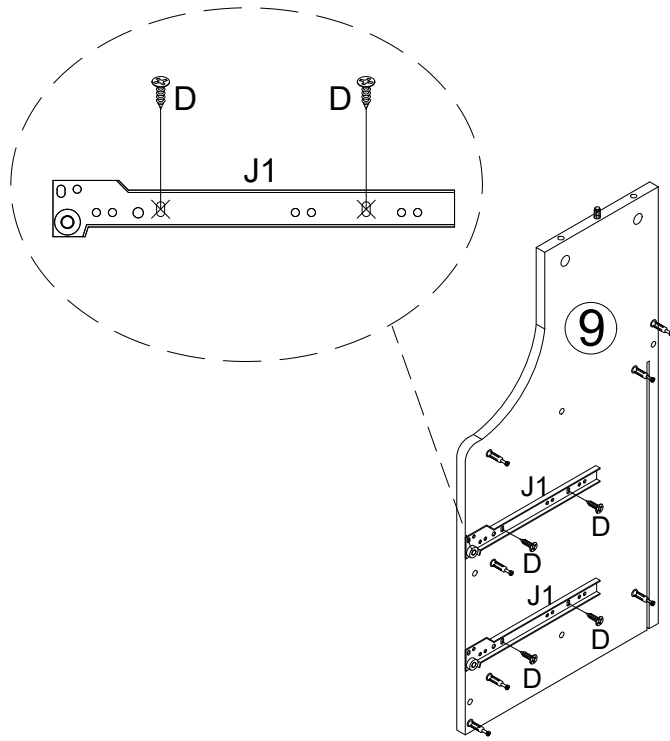
2


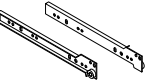


| | |
|---|------|
|  | A*28 |
|  | C*5 |
|  | K*8 |

put C on board ⑥ ⑦ ⑧ ⑨ ⑩
 put K on board ⑭
 put A on board ⑥ ⑦ ⑧ ⑨ ⑩

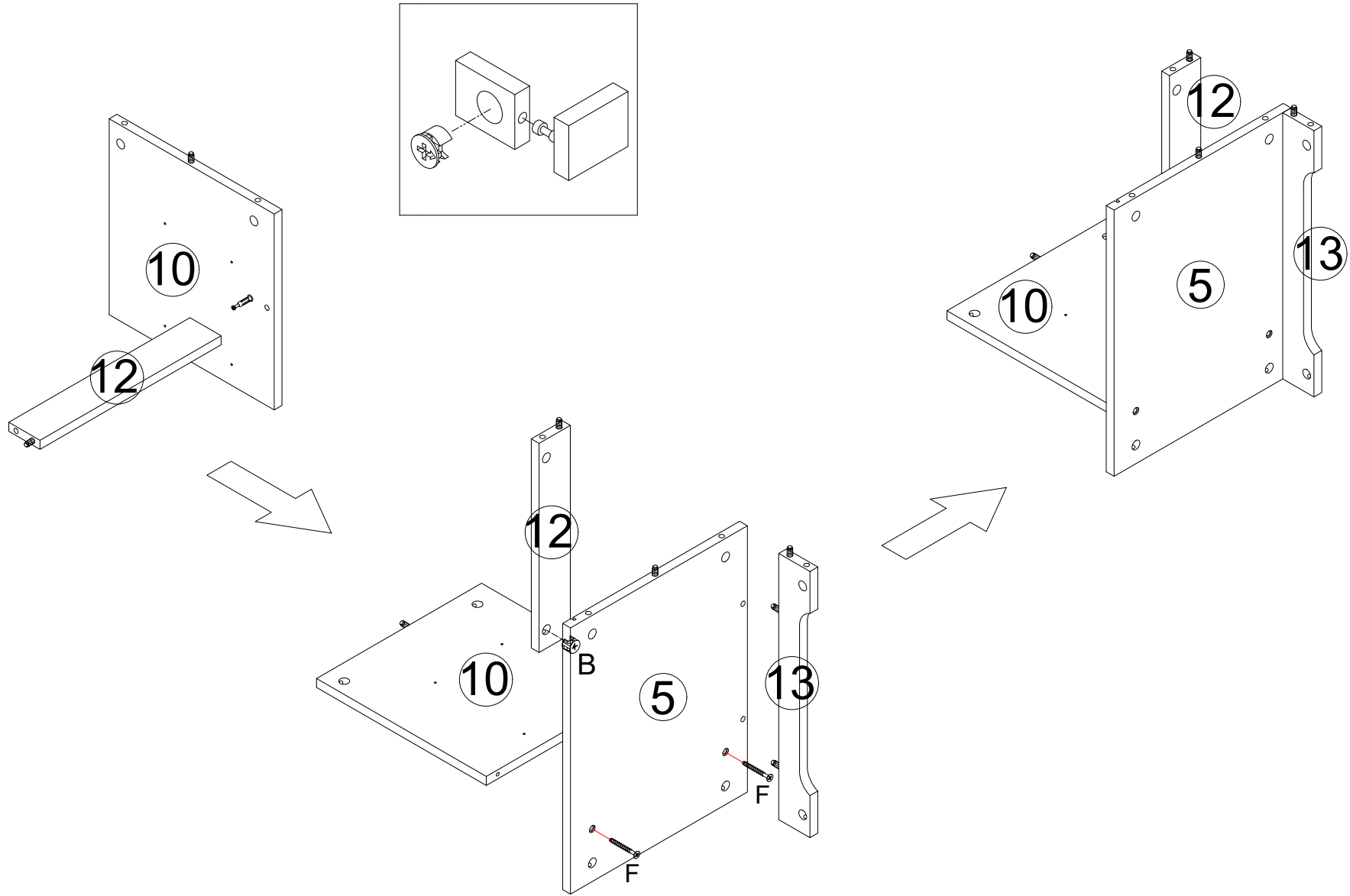
3


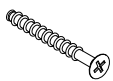


| | |
|---|------|
|  | D*8 |
|  | JI*2 |

4

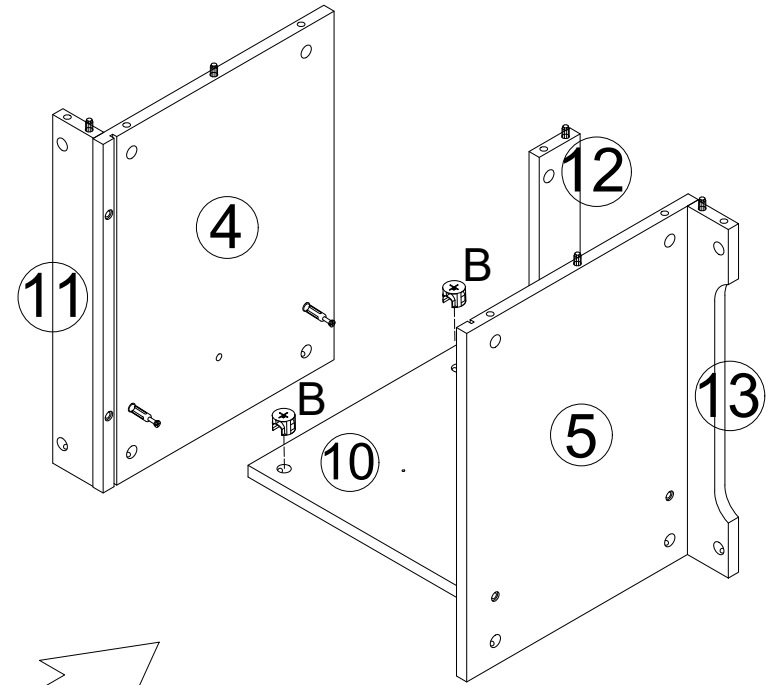
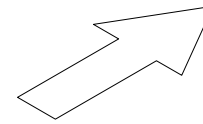
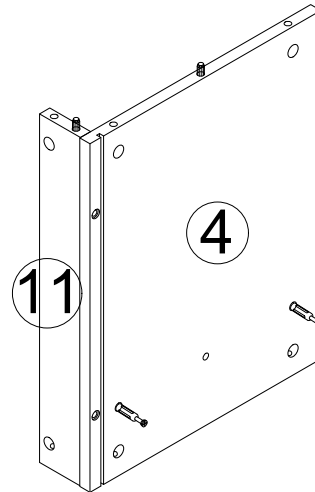
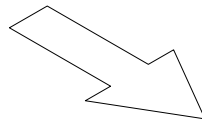
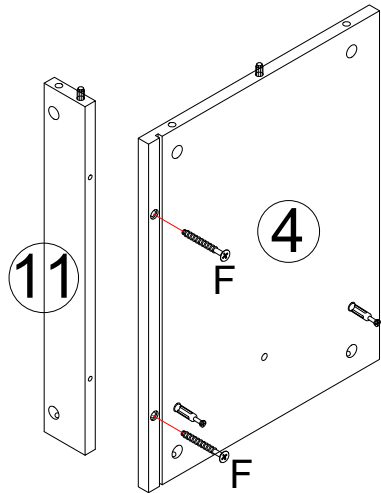
Make sure the arrow on the screw align to the hole on the side.





| | |
|---|-----|
|  | B*1 |
|  | F*2 |

put B on board 12

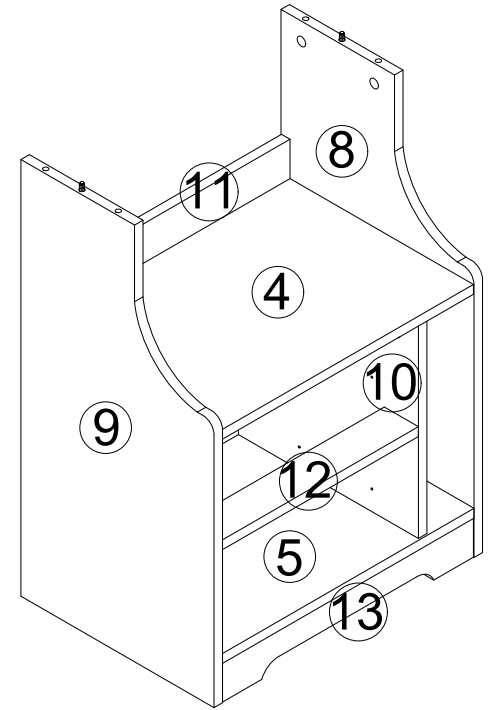
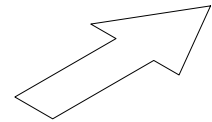
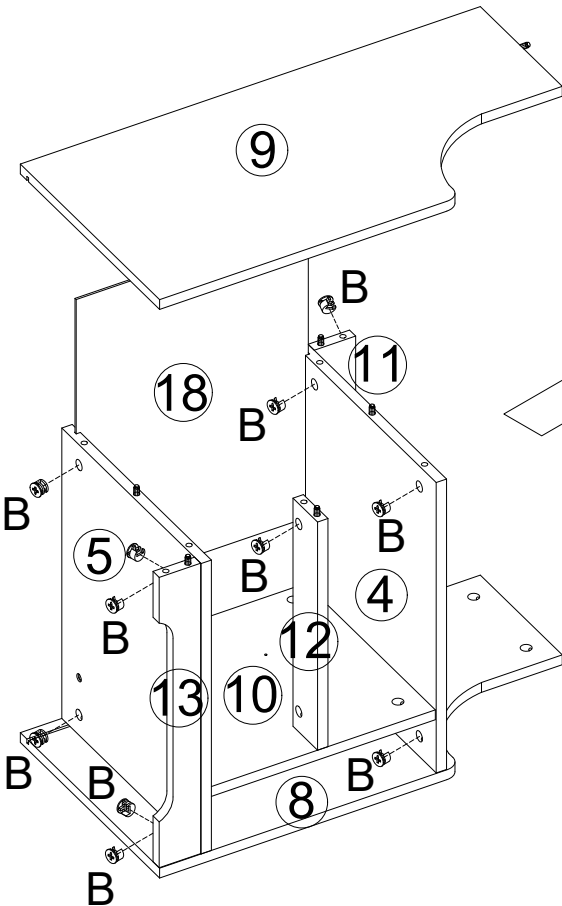
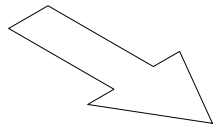
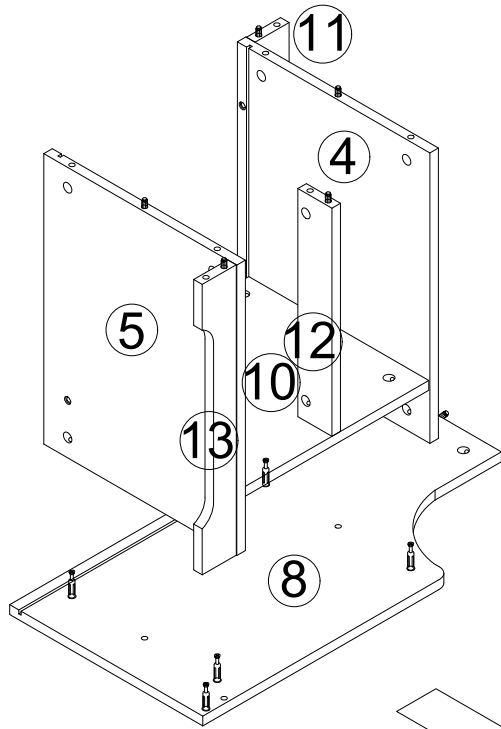
5



| | |
|---|-----|
|  | B*2 |
|  | F*2 |

put B on board ⑫⑬

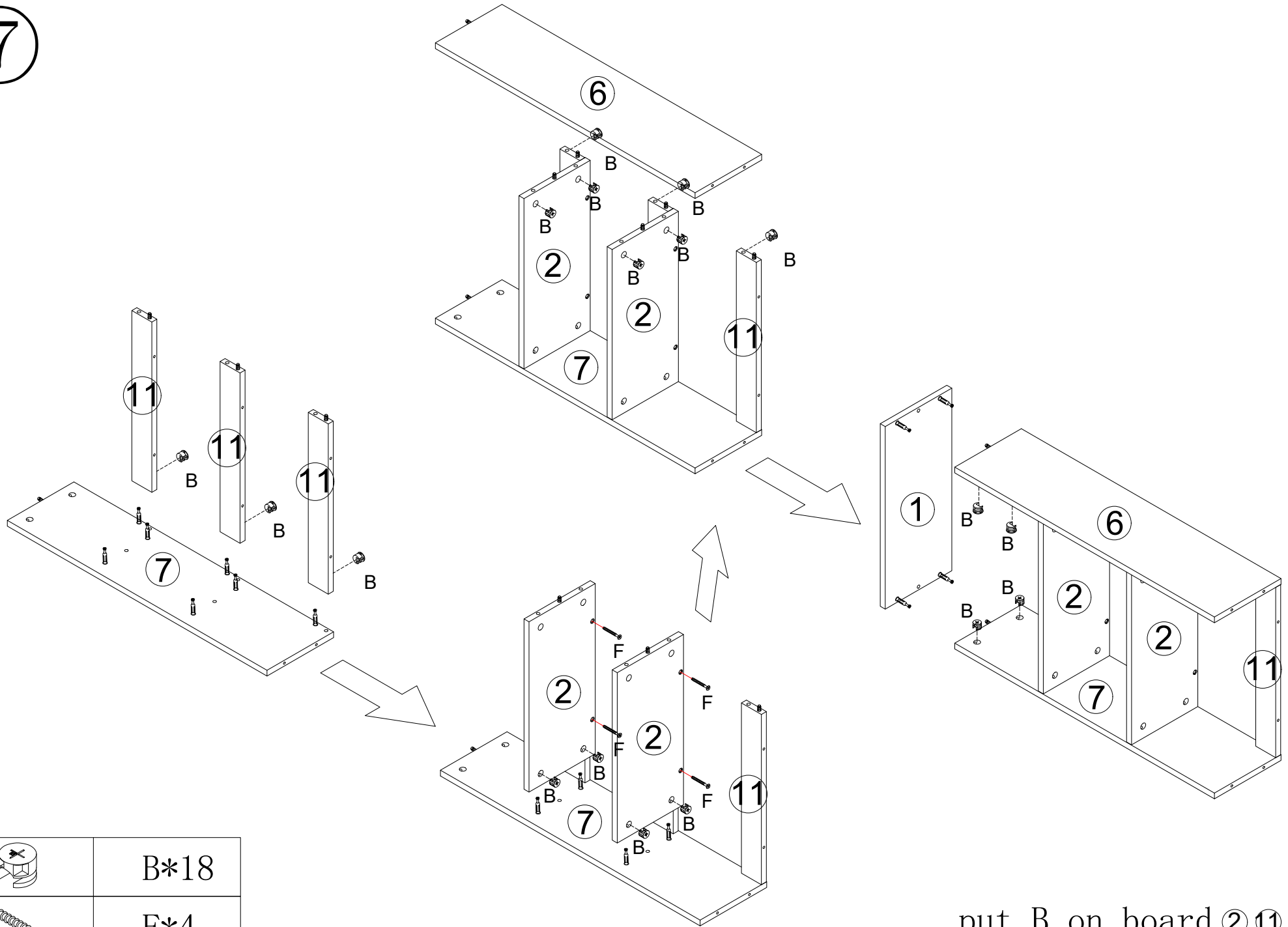
6


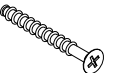


B*13

put B on board ④⑤⑪⑫⑬

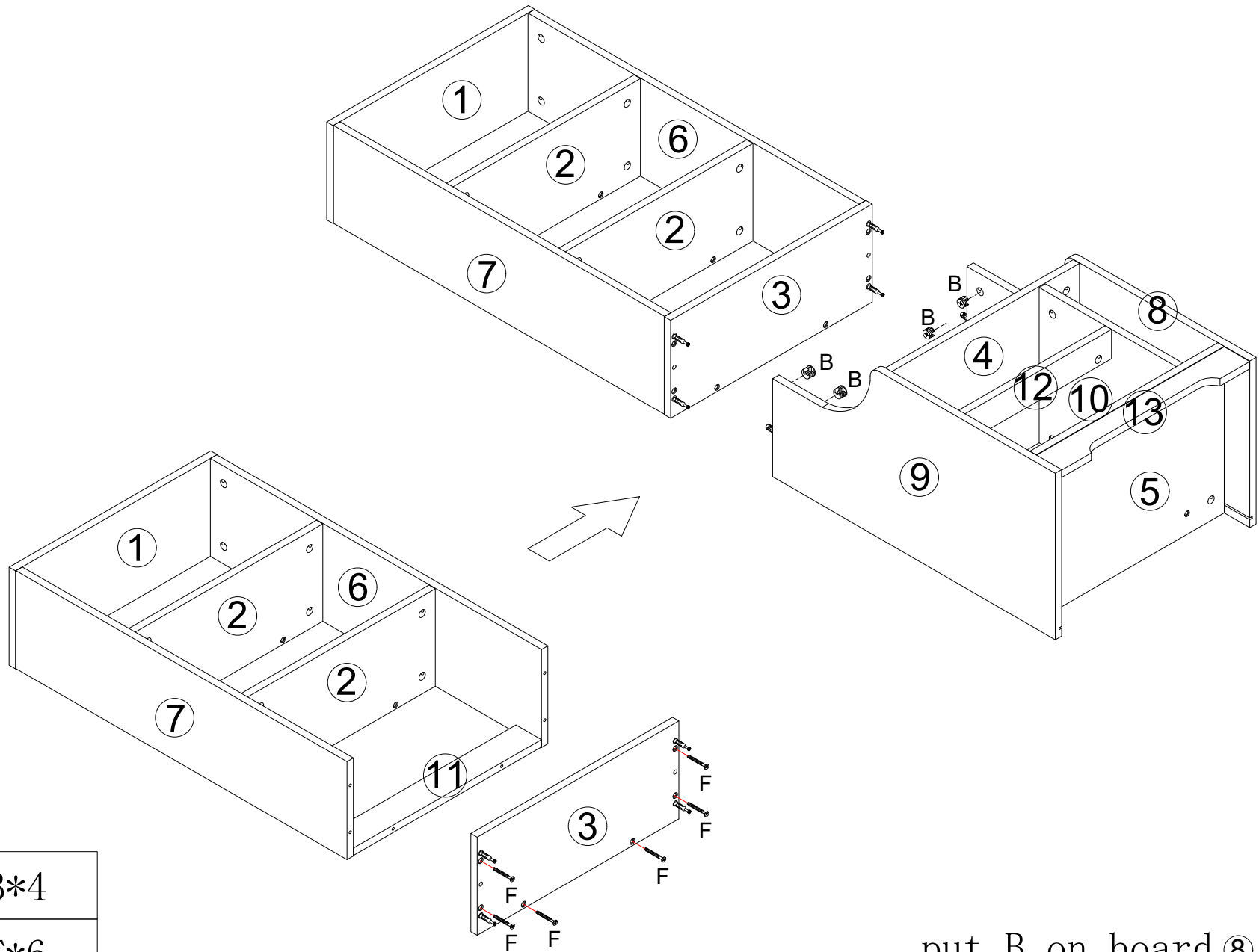
7





| | |
|---|------|
|  | B*18 |
|  | F*4 |

put B on board ② ⑪

8

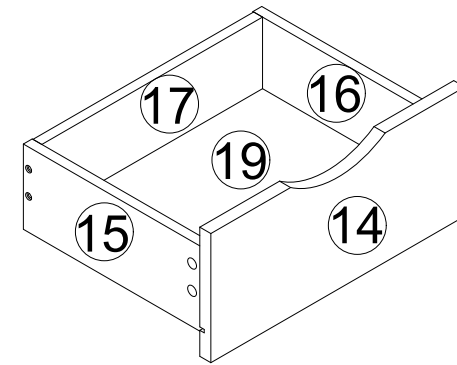
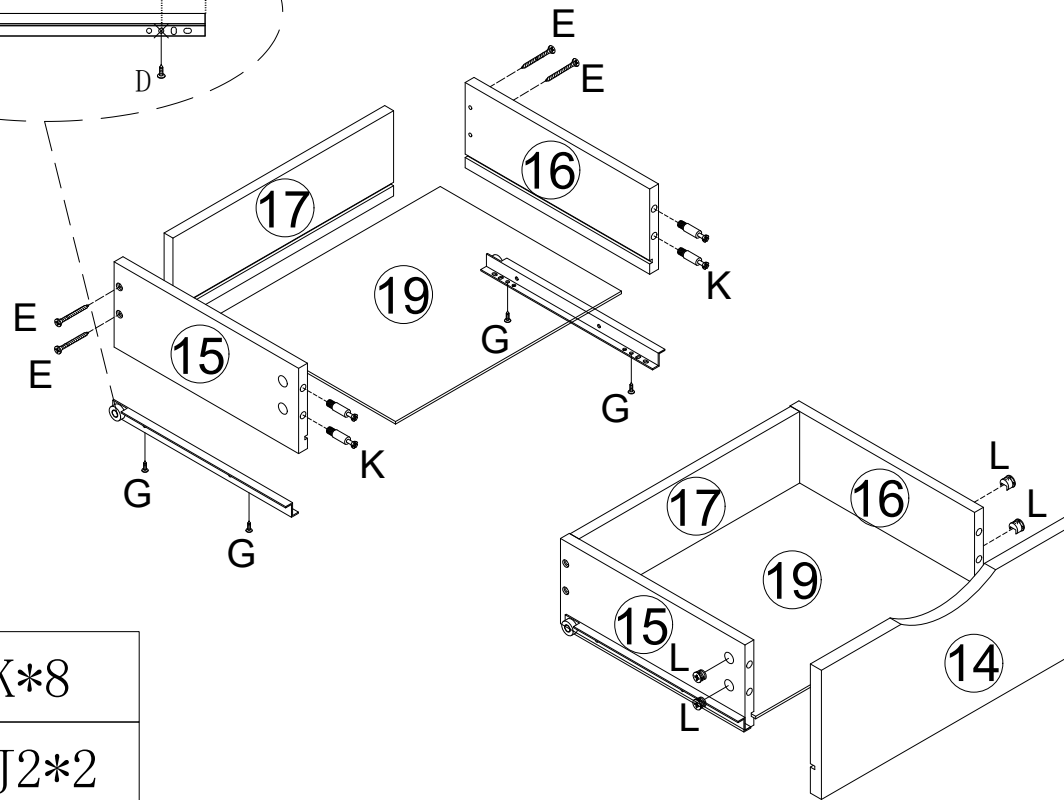
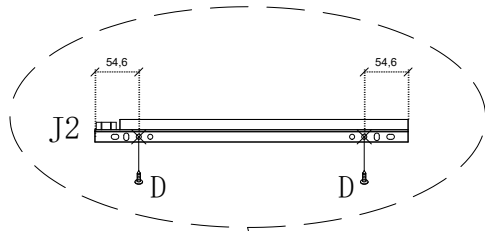


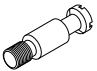
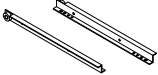


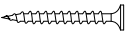
| | |
|---|-----|
|  | B*4 |
|  | F*6 |

put B on board 8 9

9

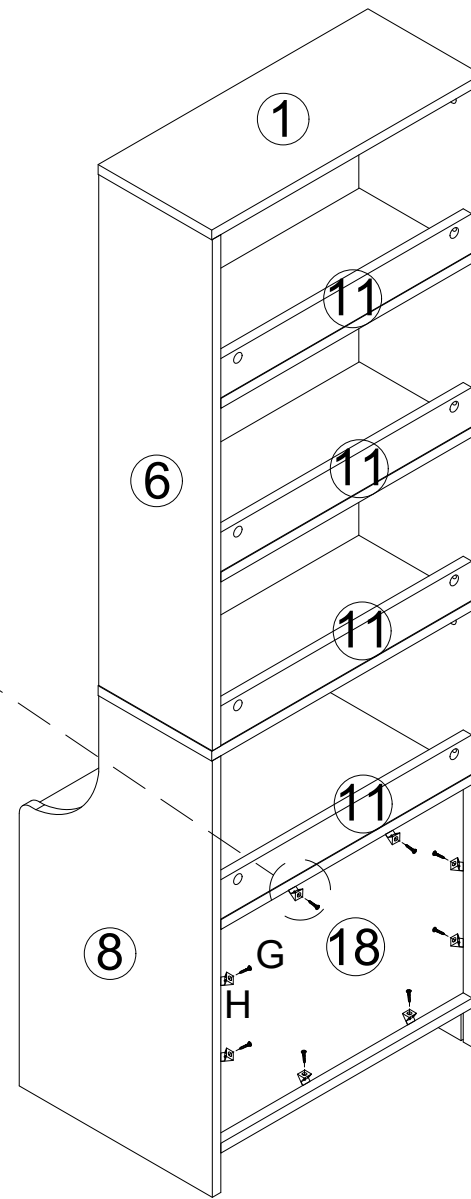
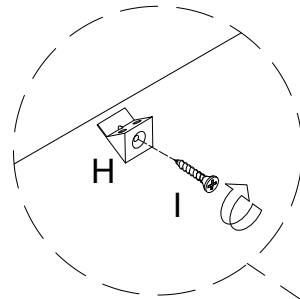
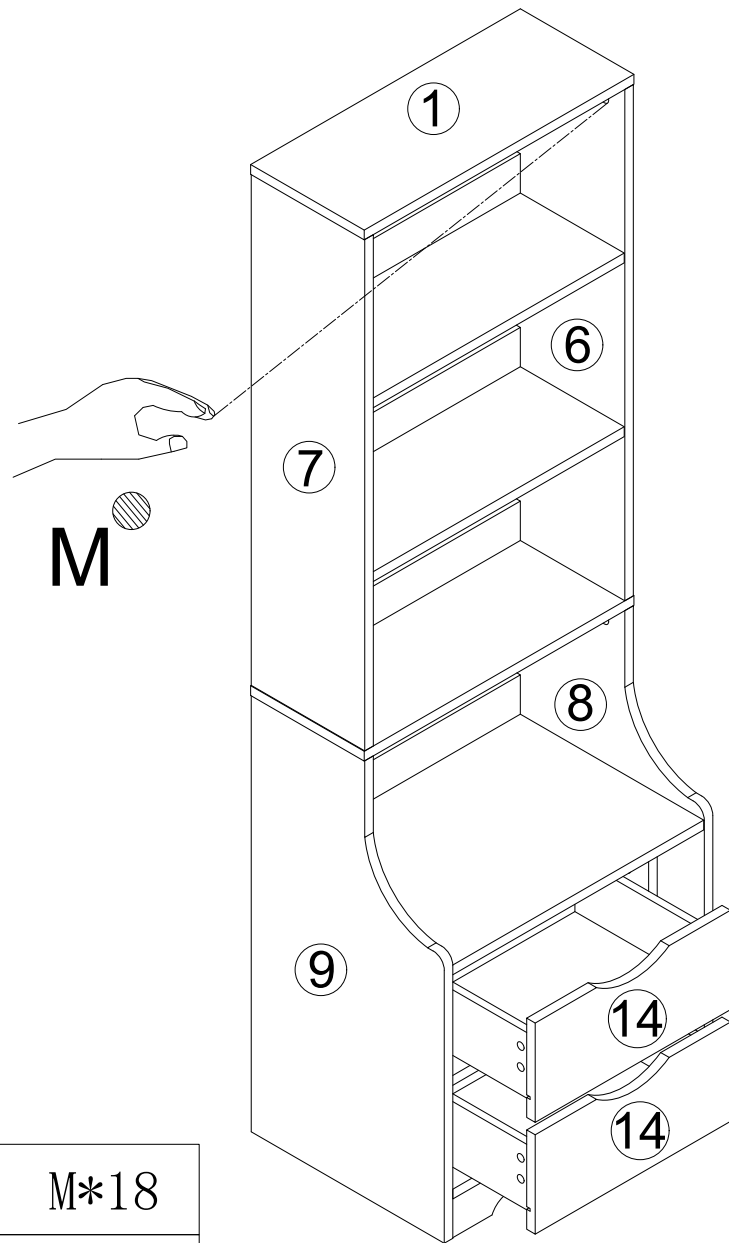
X2






| | |
|---|------|
|  | K*8 |
|  | J2*2 |
|  | L*8 |
|  | G*8 |
|  | E*8 |

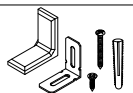
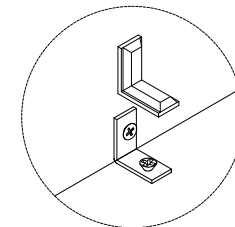
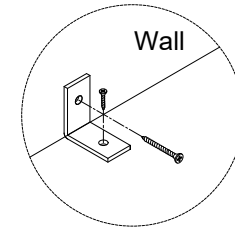
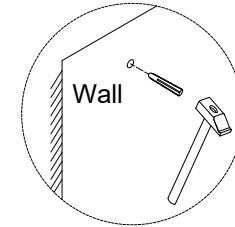
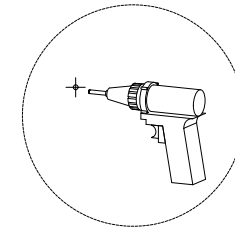
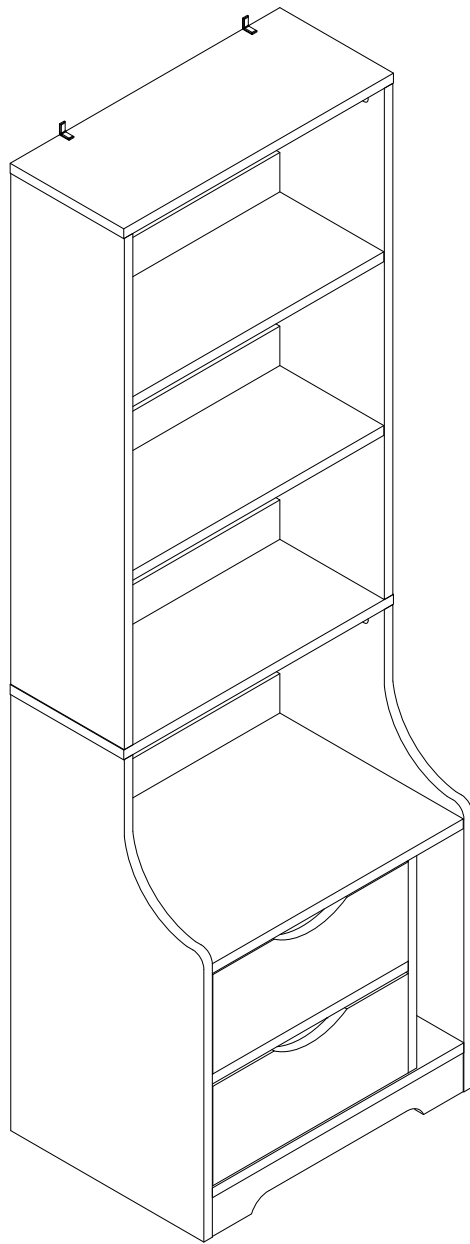
put K on board 15 16
put L on board 15 16

10



| | |
|---|------|
|  | M*18 |
|  | H*8 |
|  | G*8 |

11



I*2

Please install tip-proof fitting.