

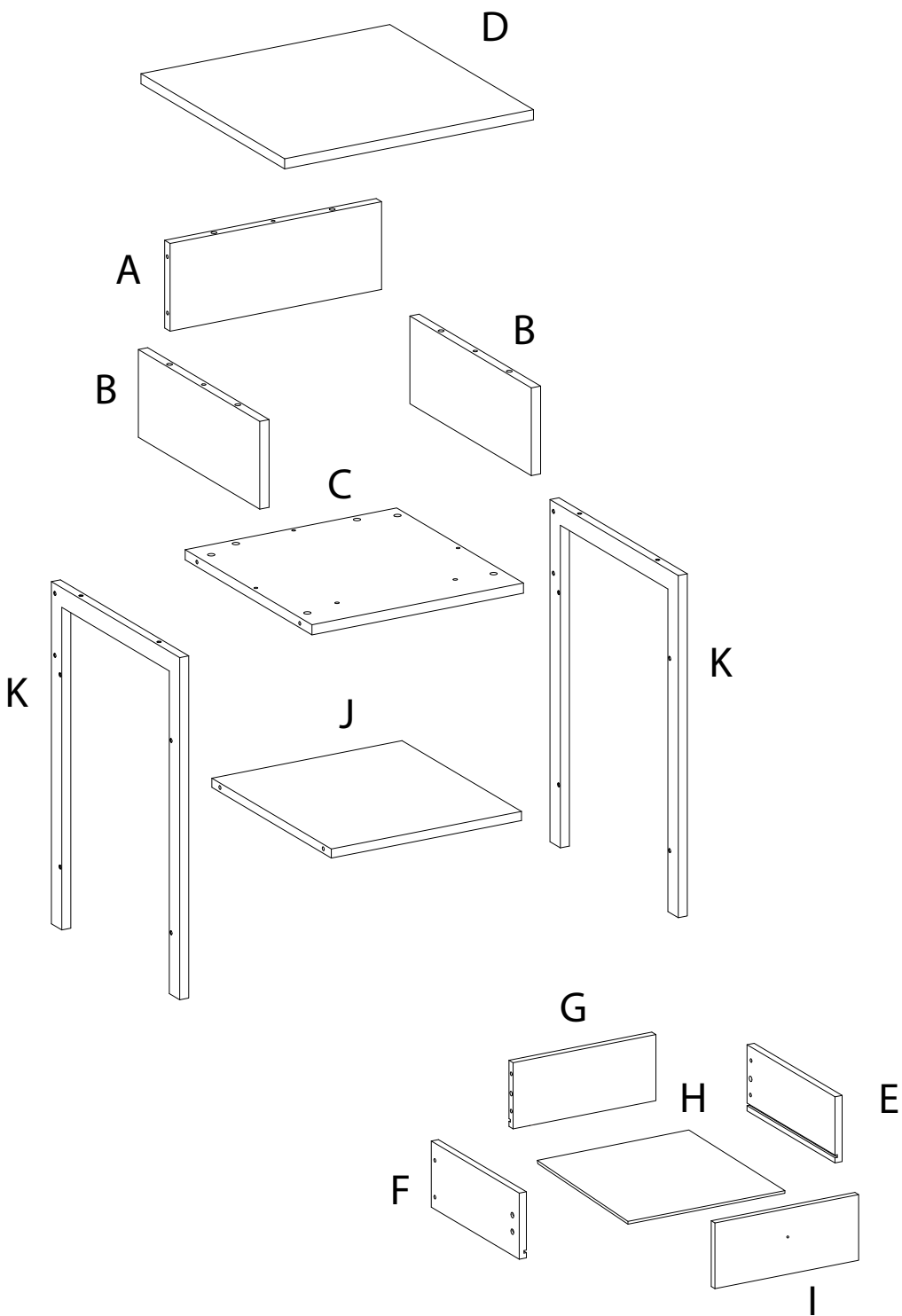
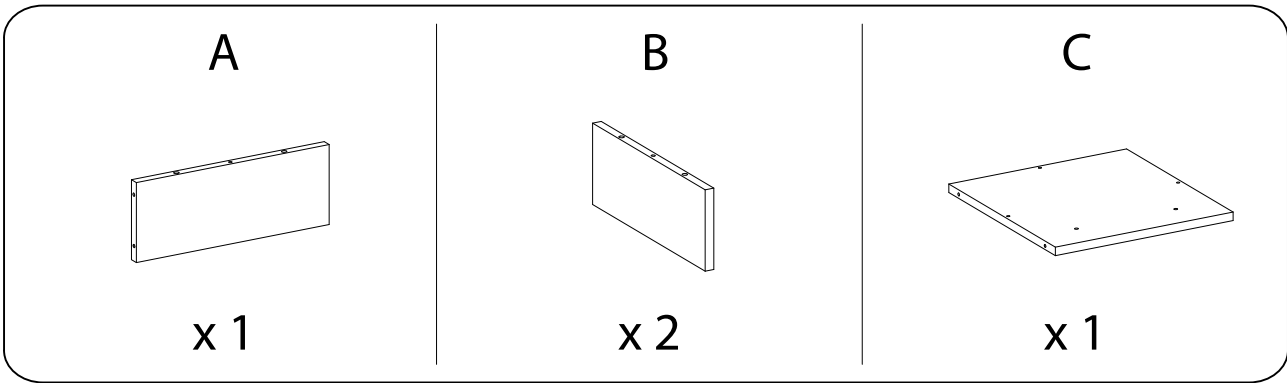
Assembly instructions for the table, including tool requirements, time, and person count.

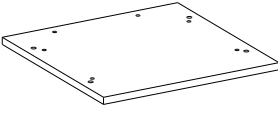
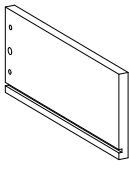
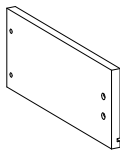
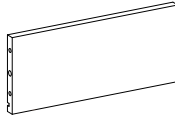
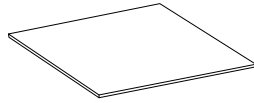
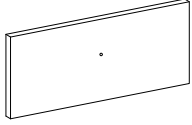
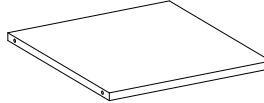

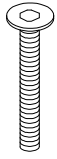
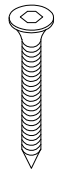
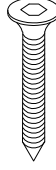
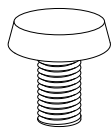
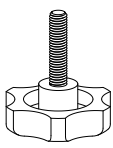

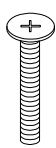

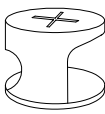
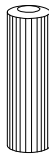
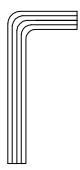

**Tools:** A circular icon contains a screwdriver and an L-shaped hex key. A power drill is shown with a diagonal line through it, indicating it is not required.

**Warning:** A triangle with an exclamation mark points to the tool requirements.

**Time:** A clock icon is shown with the number 30' below it, indicating the estimated assembly time is 30 minutes.

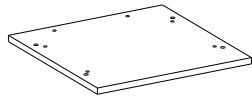
**Person Count:** A stick figure icon is shown with the number 1 below it, indicating that one person is required for assembly.



<p>D</p>  <p>x 1</p>	<p>E</p>  <p>x 1</p>	<p>F</p>  <p>x 1</p>	<p>G</p>  <p>x 1</p>
<p>H</p>  <p>x 1</p>	<p>I</p>  <p>x 1</p>	<p>J</p>  <p>x 1</p>	<p>K</p>  <p>x 2</p>
<p>L</p>  <p>M6 x 40</p> <p>x 4</p>	<p>M</p>  <p>Ø5 x 48</p> <p>x 7</p>	<p>N</p>  <p>Ø7 x 48</p> <p>x 12</p>	<p>O</p>  <p>x 4</p>
<p>P</p>  <p>x 2</p>	<p>Q</p>  <p>x 1</p>	<p>R</p>  <p>M4 x 20</p> <p>x 1</p>	<p>S1</p>  <p>x 4</p>
<p>S2</p>  <p>x 4</p>	<p>T</p>  <p>x 16</p>	<p>U</p>  <p>x 1</p>	<p>V</p>  <p>x 1</p>

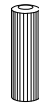
1

D

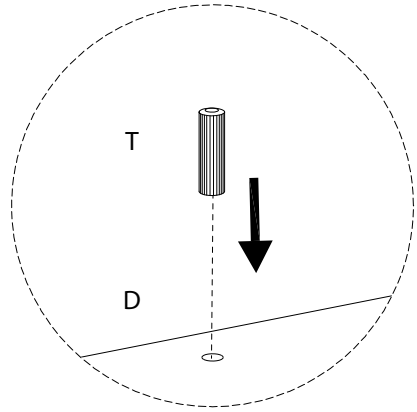
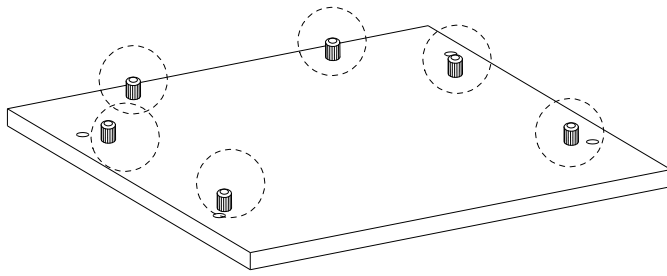


x1

T

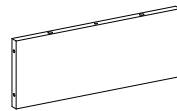


x6

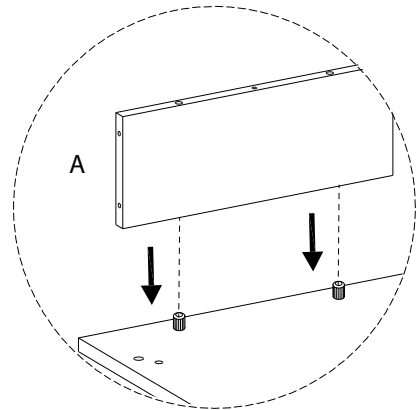
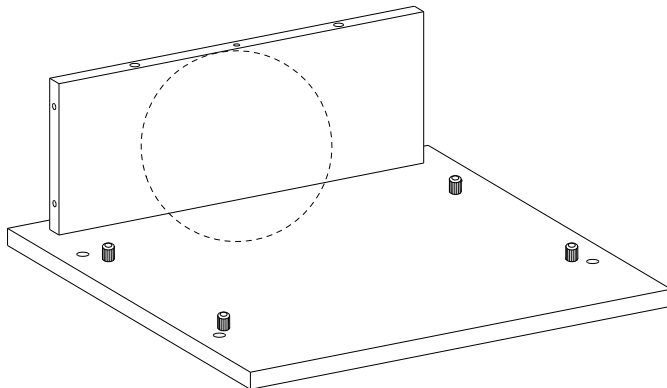


2

A

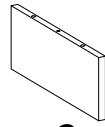


x1

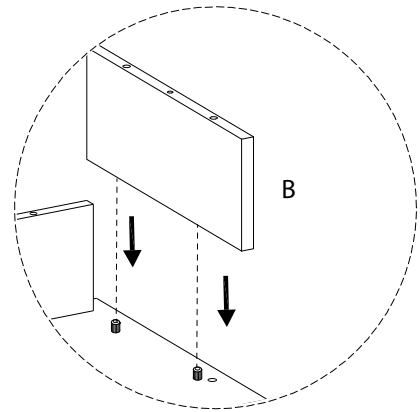
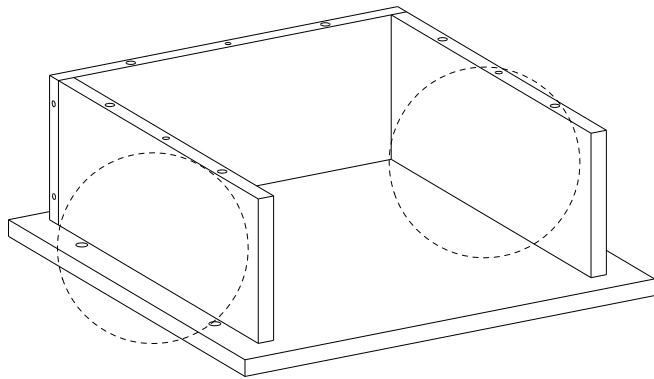


3

B



x2

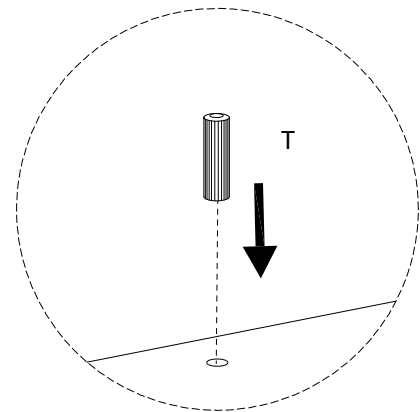
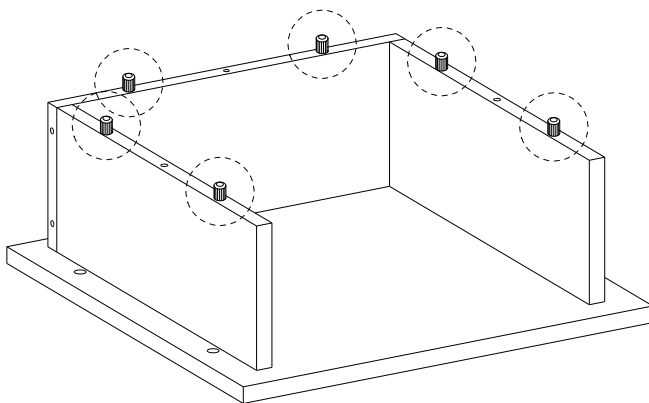


4

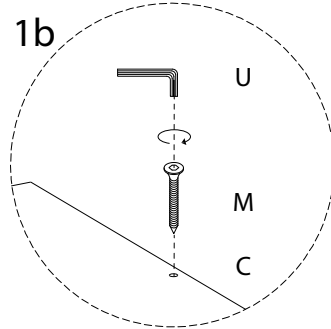
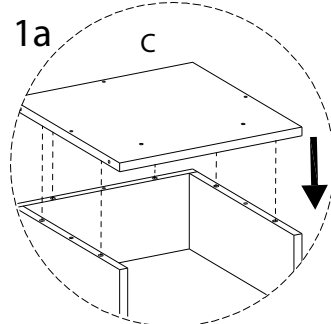
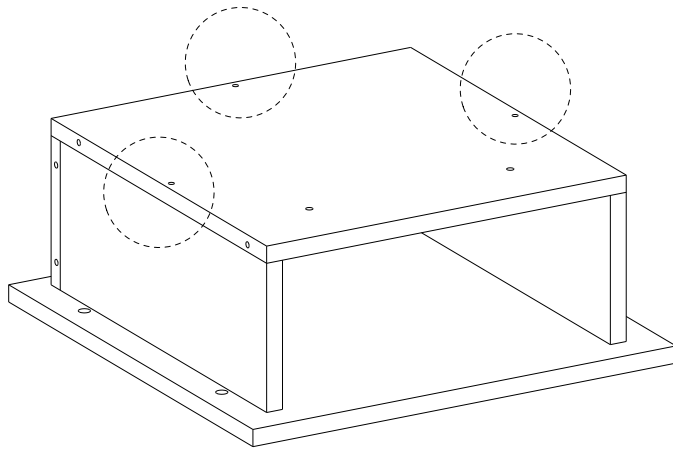
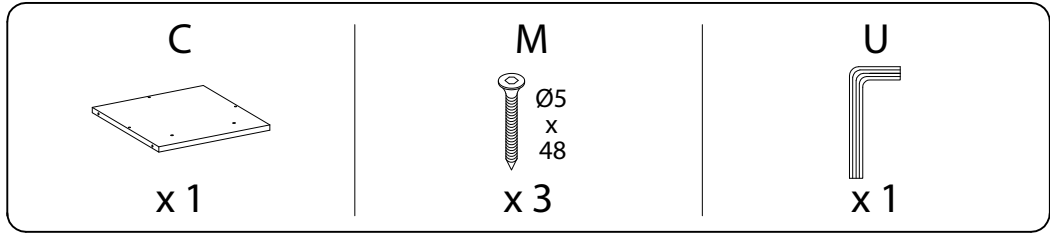
T



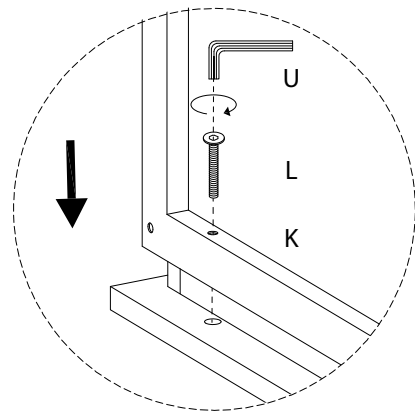
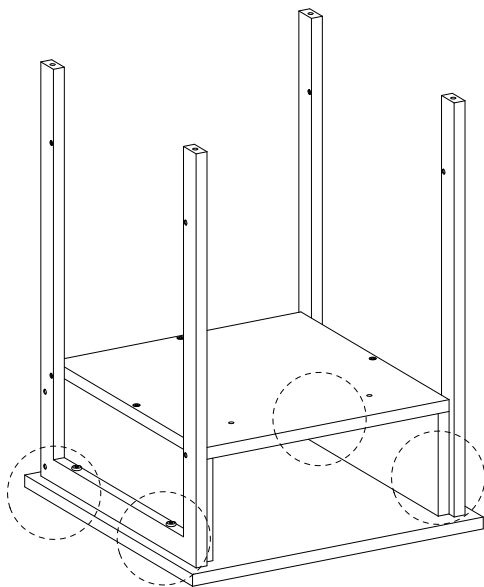
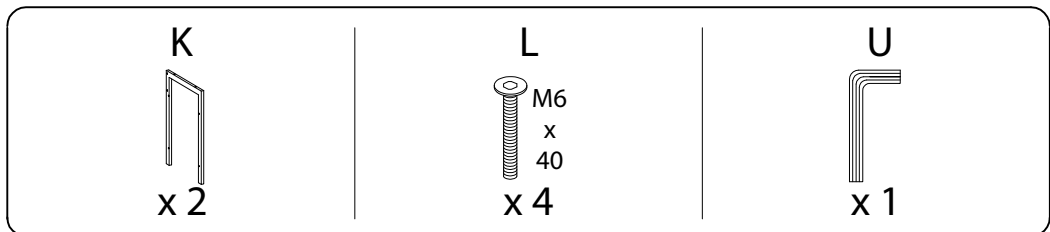
x6



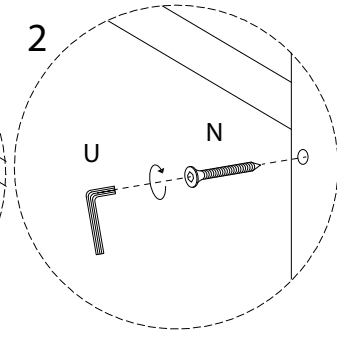
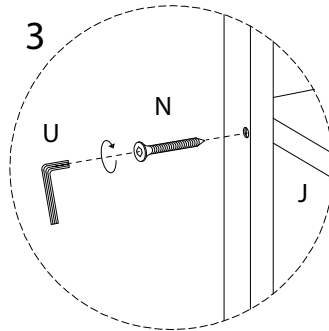
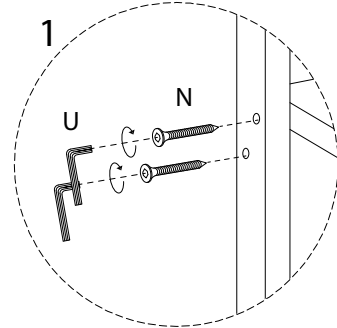
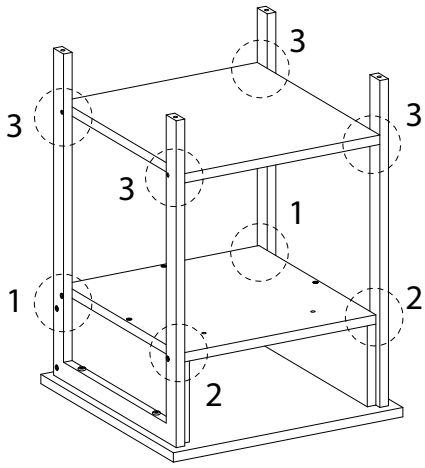
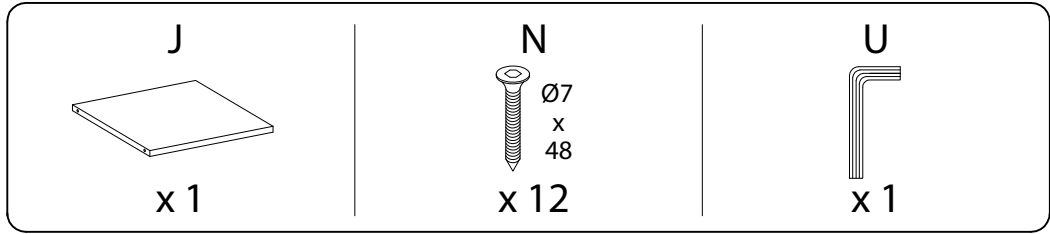
5



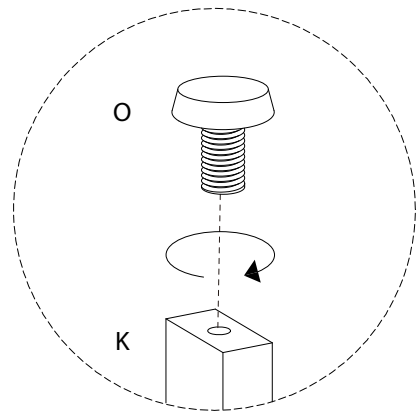
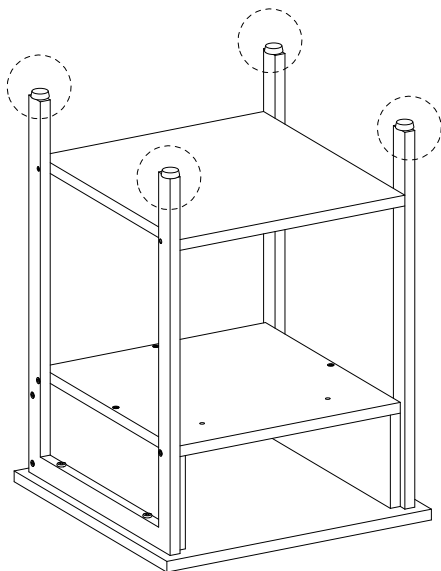
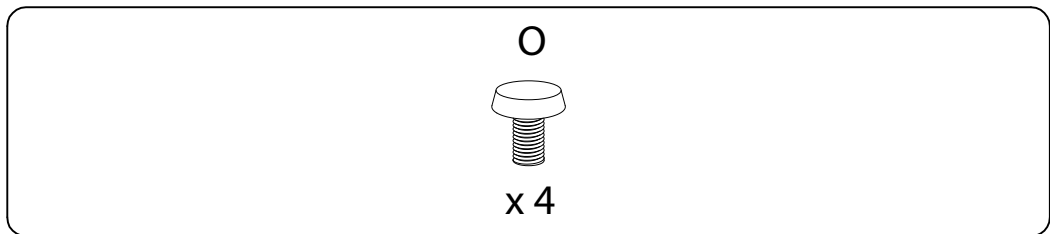
6



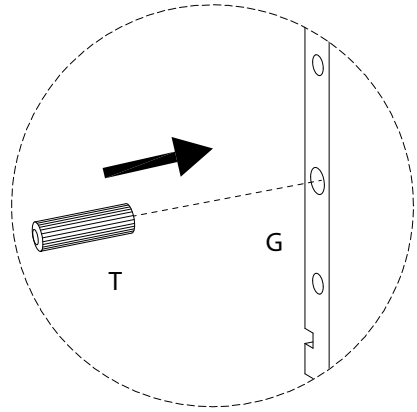
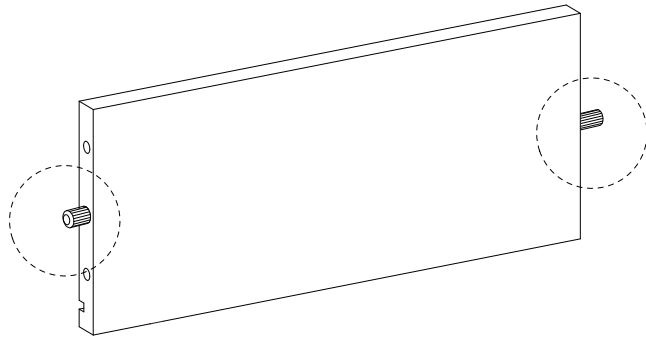
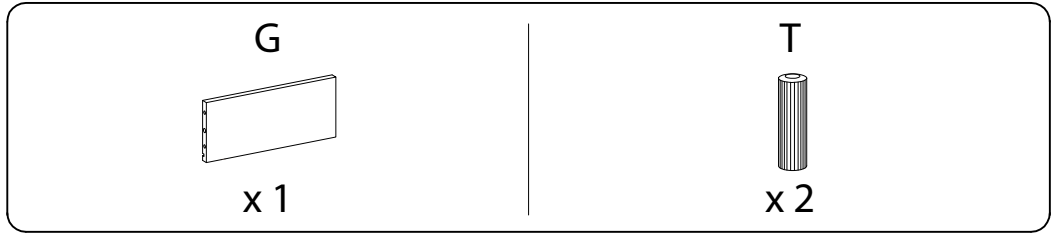
7



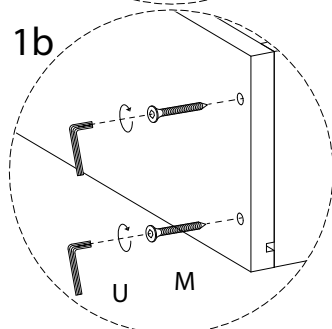
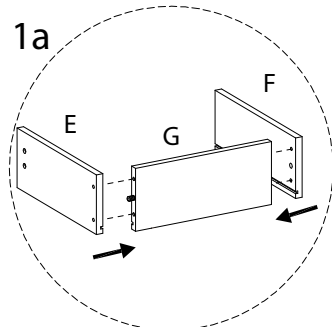
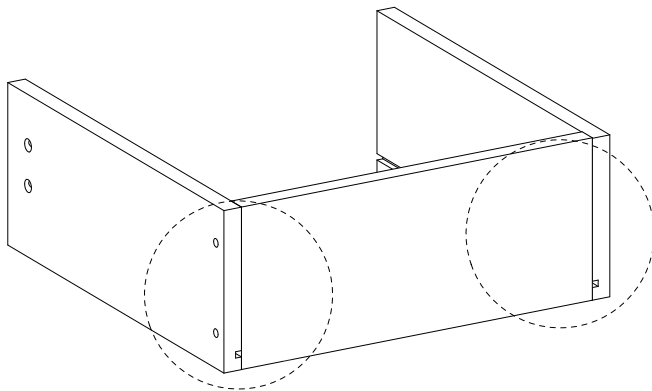
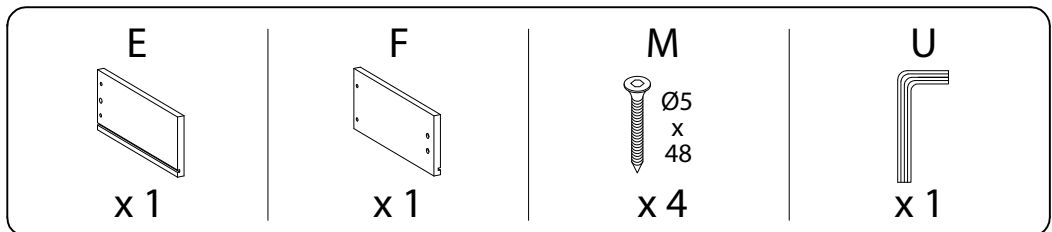
8



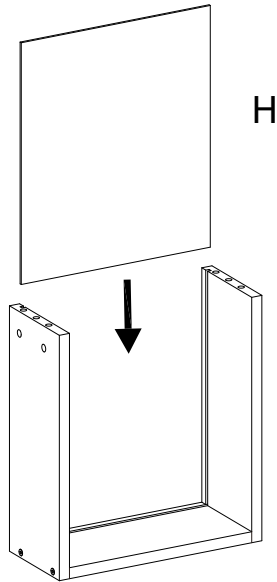
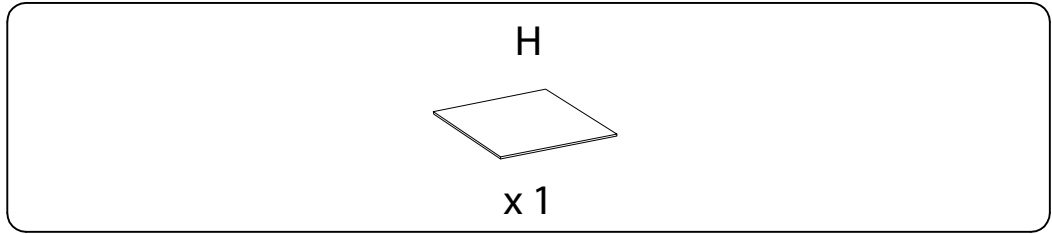
9



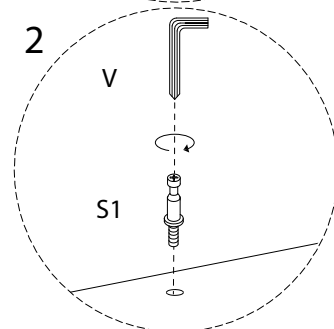
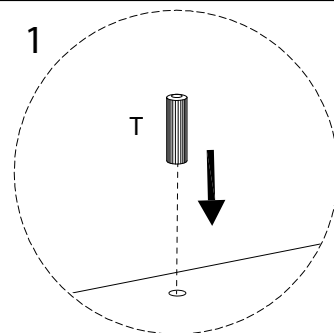
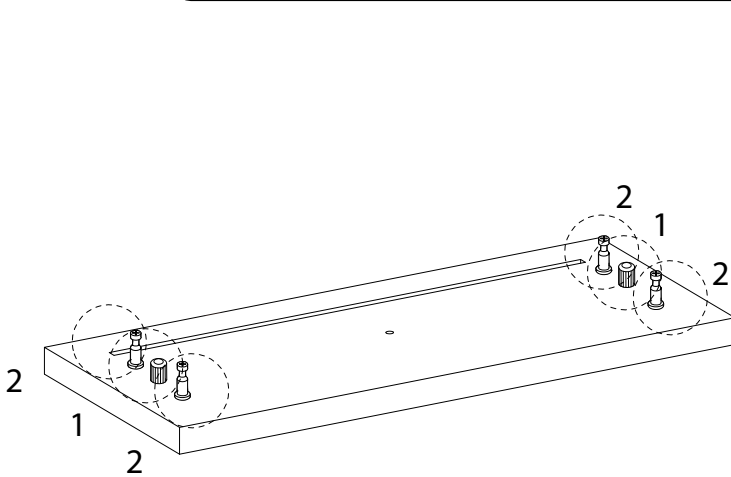
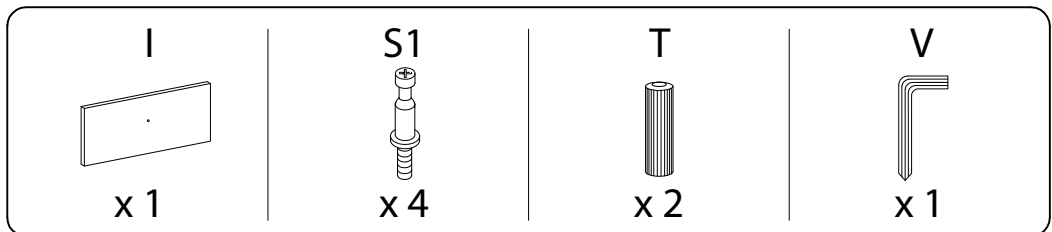
10



11



12



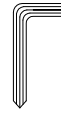
13

S2

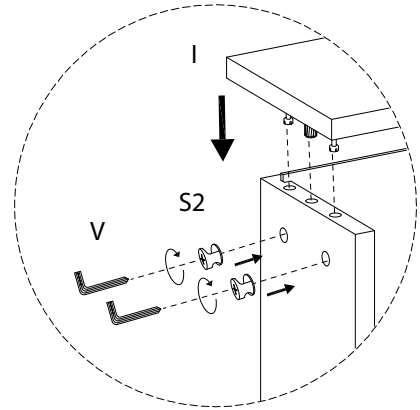
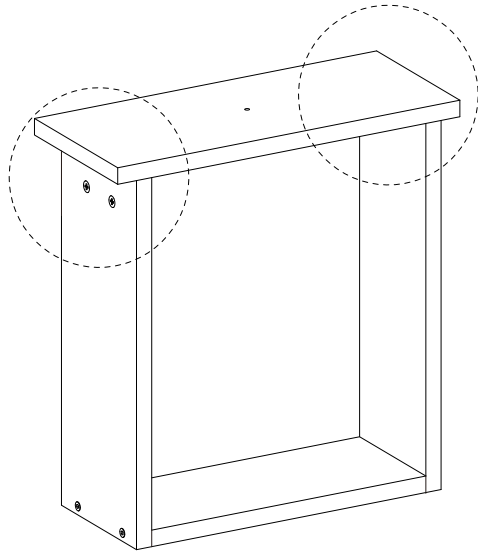


x 4

V



x 1



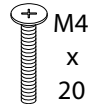
14

Q



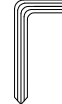
x 1

R

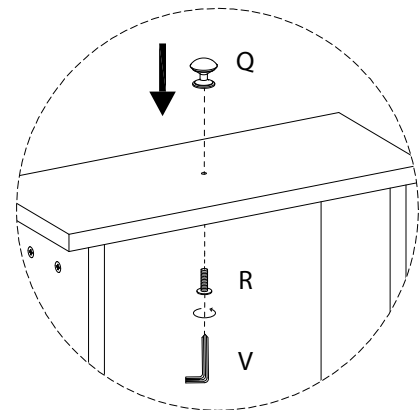
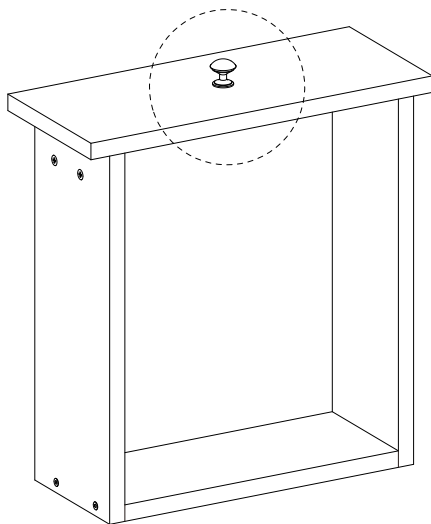


x 1

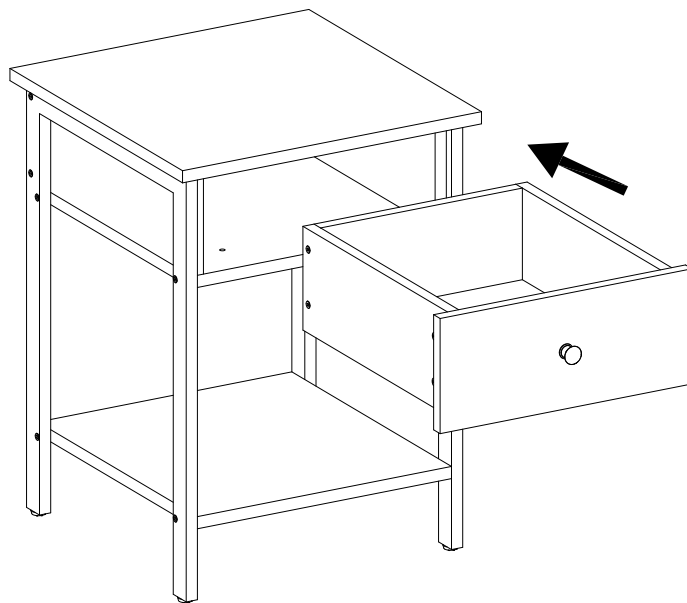
V



x 1



15



16

