

ASSEMBLY INSTRUCTIONS



Fine Furniture for every stage of life

Console Table

ASSEMBLY INSTRUCTIONS

ASSEMBLY TIPS:

1. Remove hardware from box and sort by size.
2. Please check to see that all hardware and parts are present prior to start of assembly.
3. Please follow attached instructions in the same sequence as numbered to assure fast & easy assembly.



WARNING!




1. Don't attempt to repair or modify parts that are broken or defective. Please contact the store immediately.
2. This product is for home use only and not intended for commercial establishments.






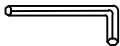
ASSEMBLY TIME

15 MINUTES

PARTS IDENTIFICATION

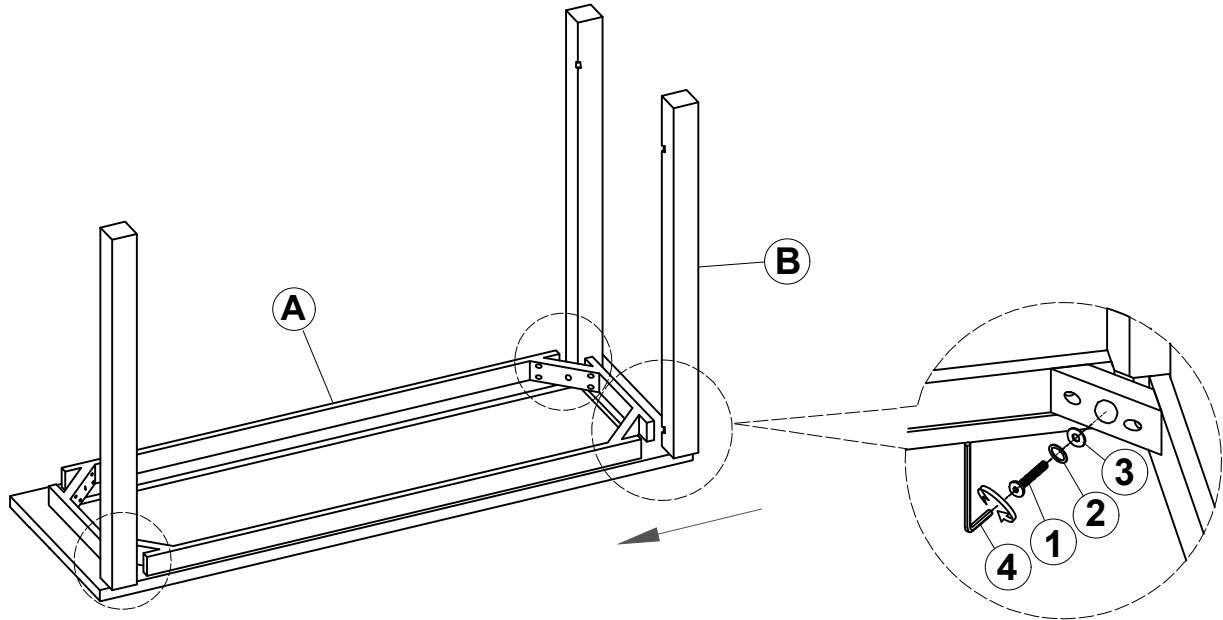
A	TOP		1PC
B	LEG		4PCS
C	BOTTOM SHELF		1PC

HARDWARE IDENTIFICATION

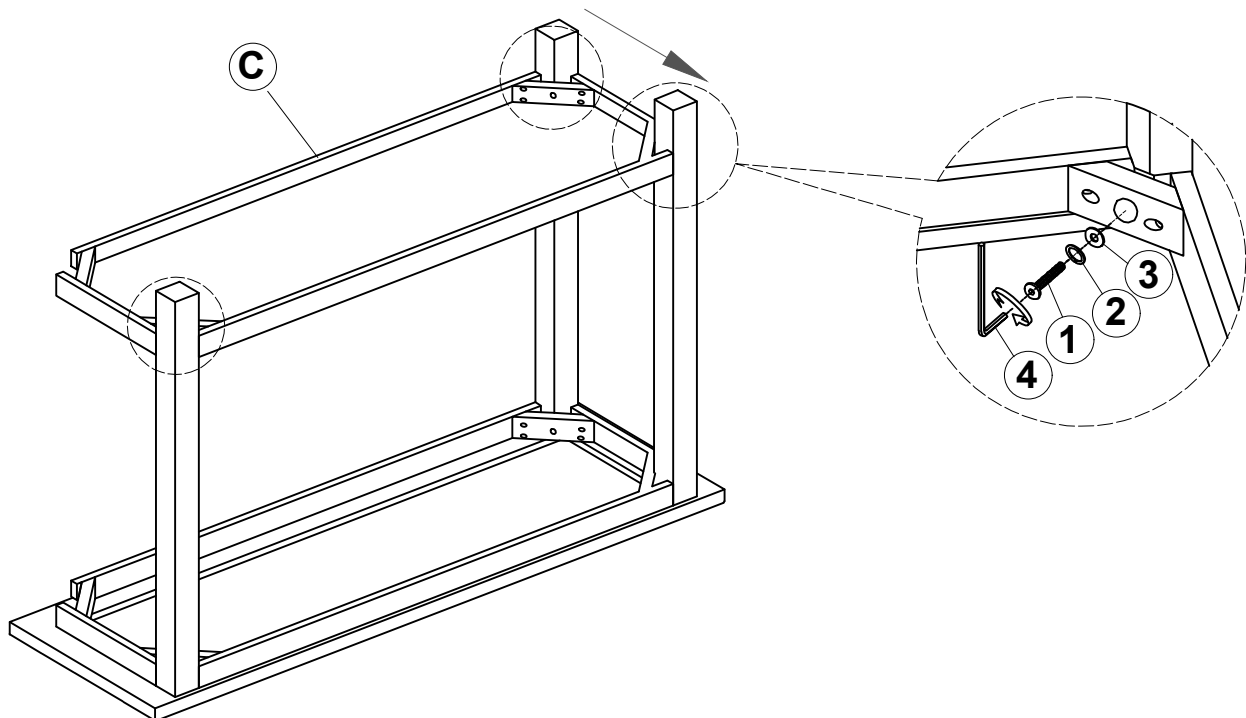
1	BOLT (Ø1/4" x 2-1/4" - BLK)		8PCS
2	LOCK WASHER (1/4 x 16mm - BLK)		8PCS
3	FLAT WASHER (Ø1/4" - BLK)		8PCS
4	ALLEN WRENCH (4mm - BLK)		1PC

ASSEMBLY INSTRUCTIONS

STEP 1

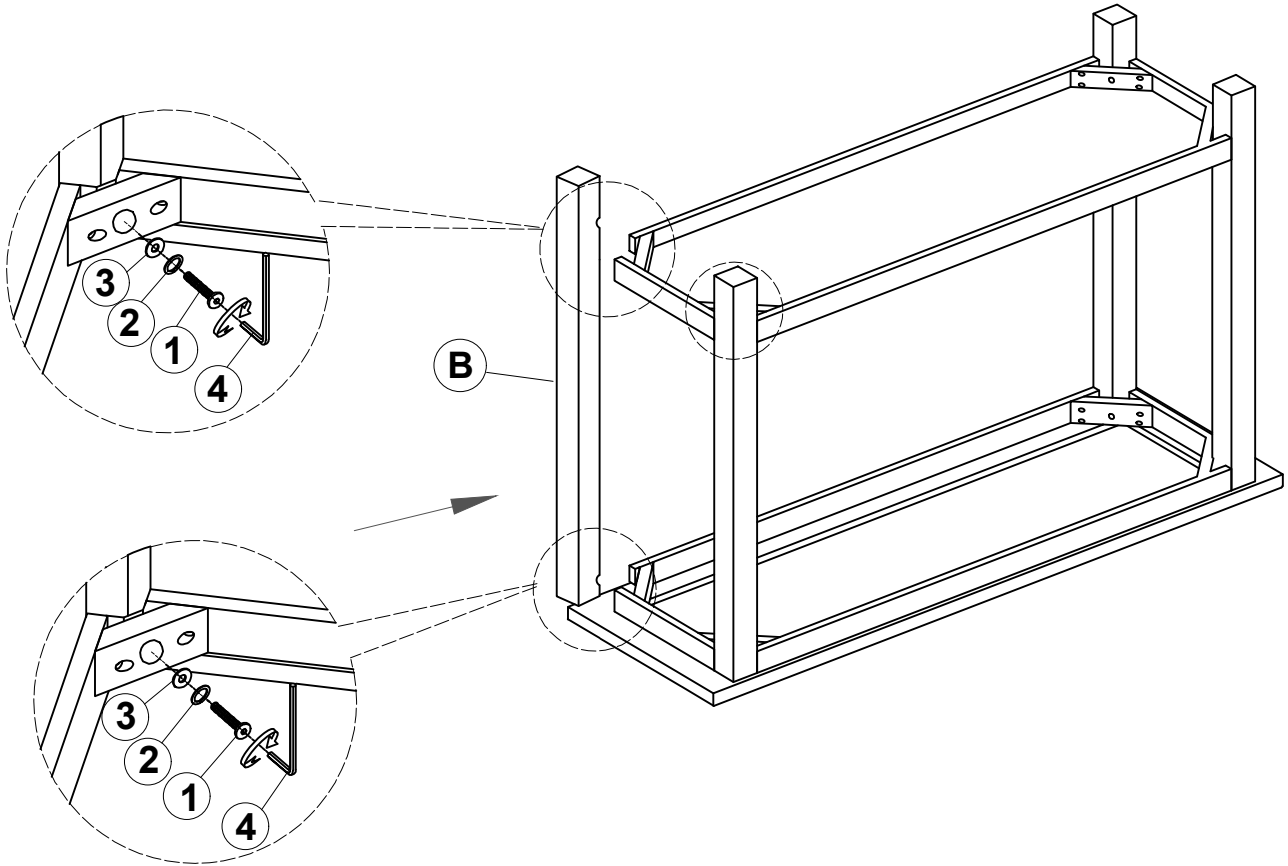


STEP 2

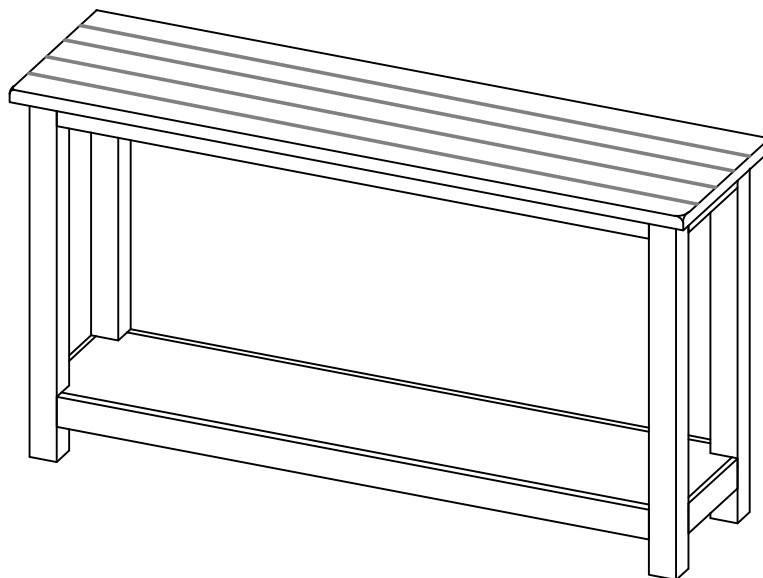


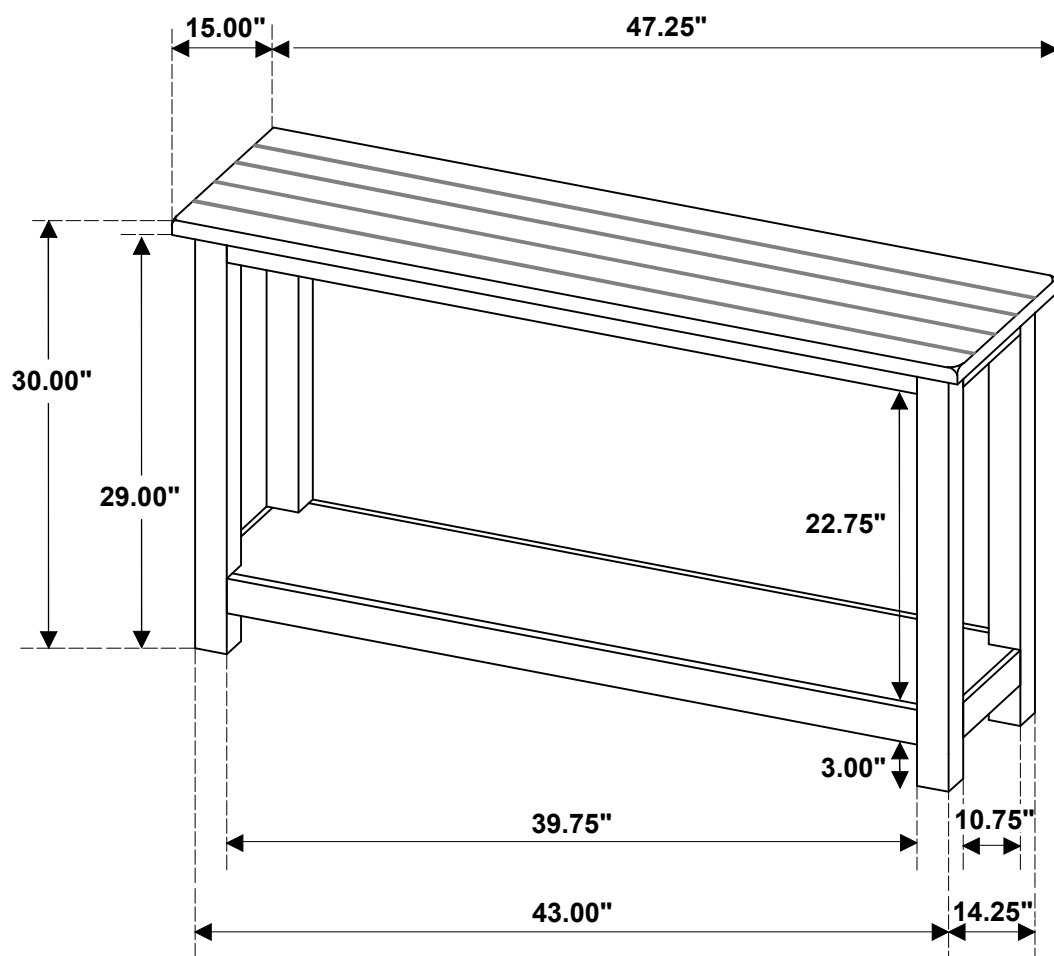
ASSEMBLY INSTRUCTIONS

STEP 3



STEP 4 COMPLETE





Note : Dimension tolerance $\pm 5\%$