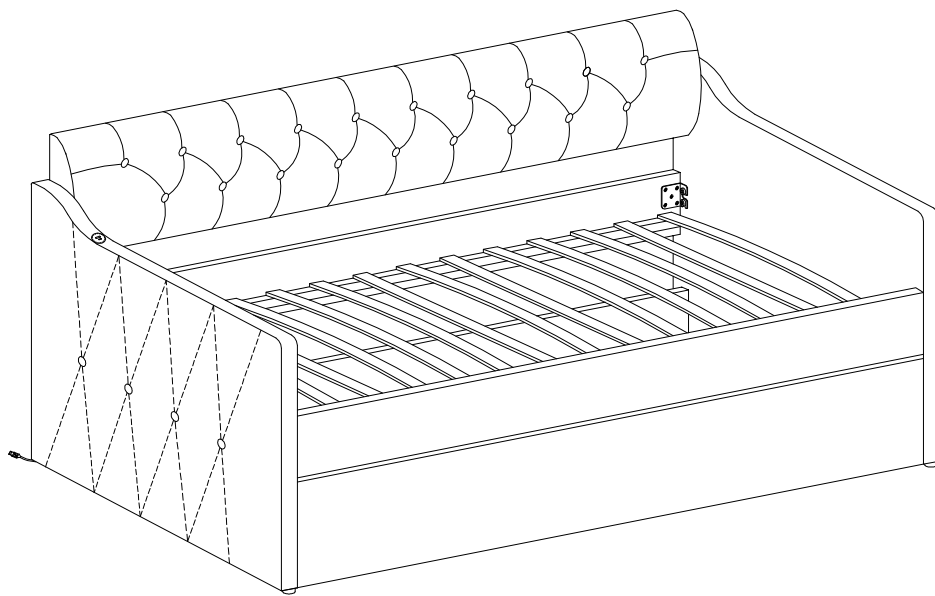
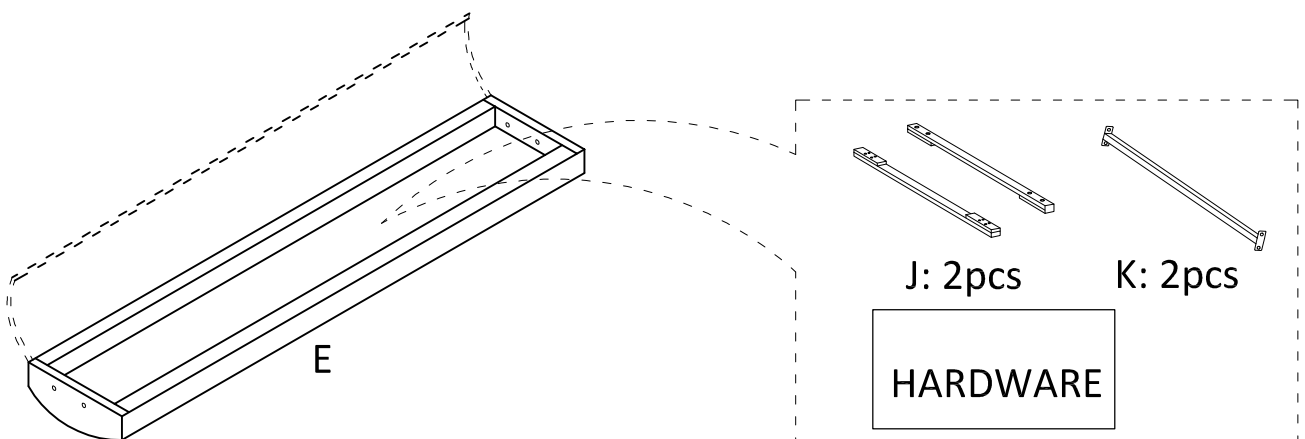


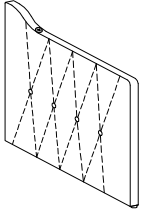
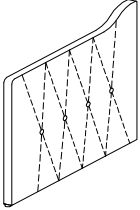
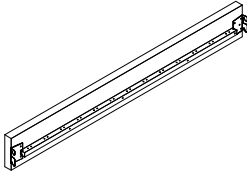
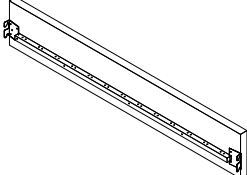
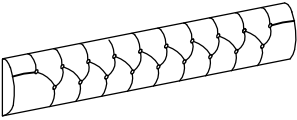
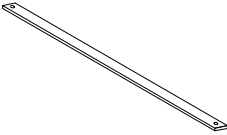
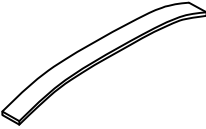

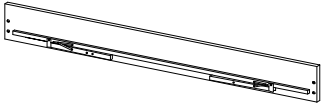
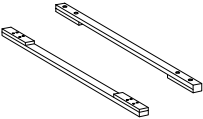
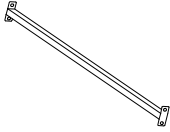
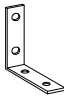

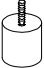

ASSEMBLY INSTRUCTION



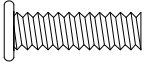
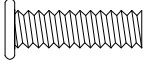
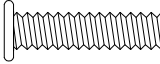
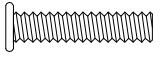

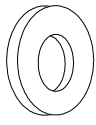


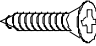




STEP :Packing Details



PARTS LIST

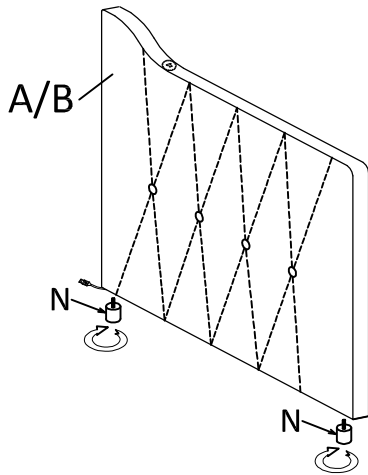
			
A: 1pc	B: 1pc	C: 1pc	D: 1pc
			
E: 1pc	F: 6pcs	G: 18pcs	H: 1pc
			
I: 1pc	J: 2pcs	K: 2pcs	L: 4pcs
			
M: 4pcs	N: 4pcs	O: 36pcs	

HARDWARE LIST:

			
M8*30mm 1: 8pcs	M8*20mm 2: 24pcs	M8*50mm 3: 4pcs	M6*45mm 4: 12pcs
			
M8 5: 36pcs	M8*19mm 6: 36pcs	M6 7: 12pcs	M6*16mm 8: 12pcs
			
8*20mm 9: 16pcs	M8 10: 1pc	M6 11: 1pc	M6 12: 1pc
			
M8 13: 1pc			

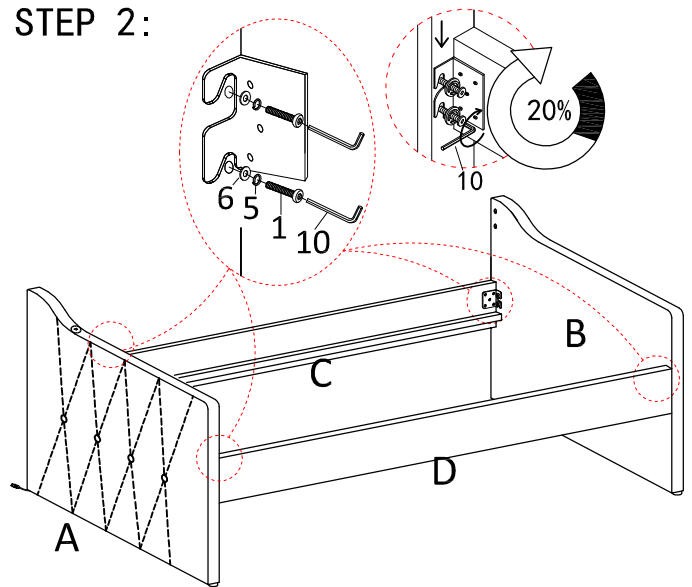
Assembly Steps





STEP 1:



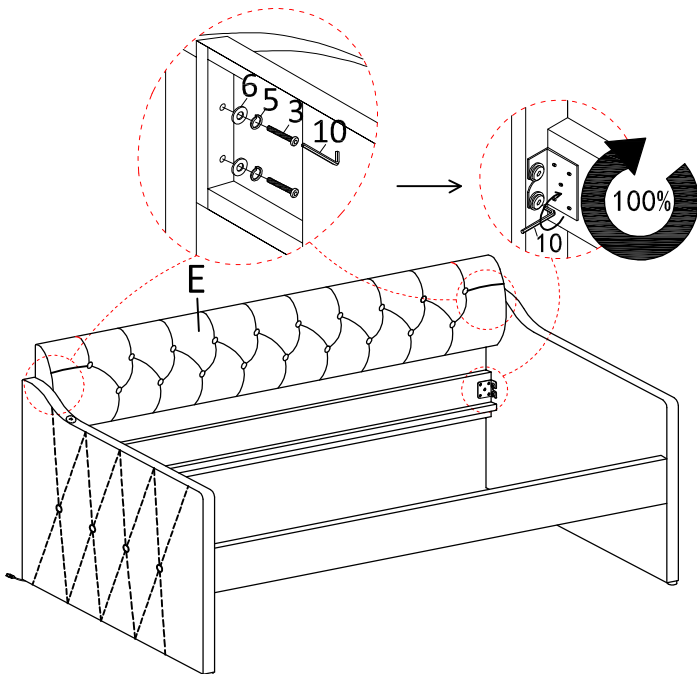

 N: 4pcs





STEP 2:



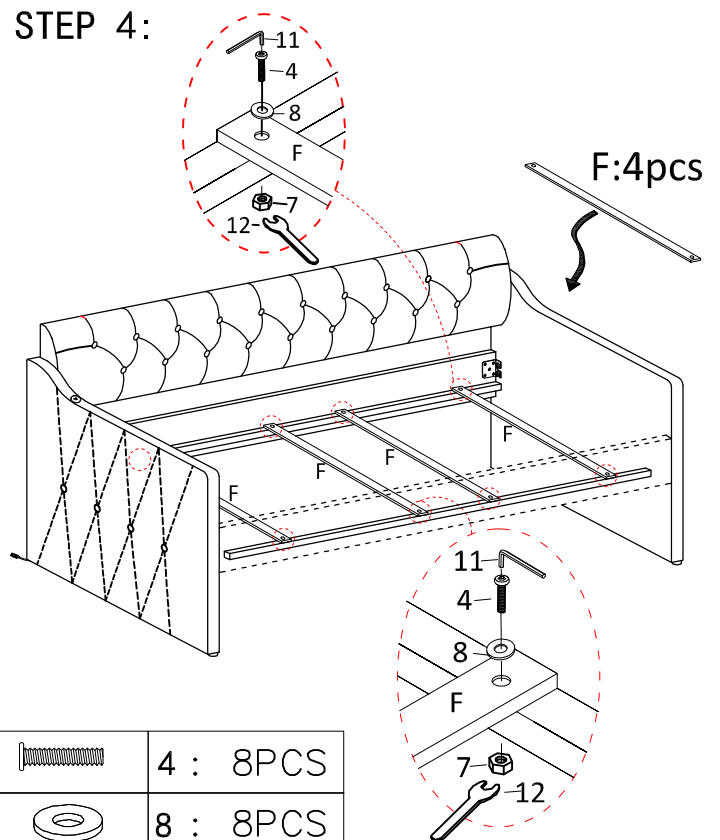
	1 : 8PCS
	10: 1PC
	6 : 8PCS
	5 : 8PCS




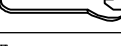

STEP 3:



	3 : 4PCS
	10: 1PC
	6 : 4PCS
	5 : 4PCS

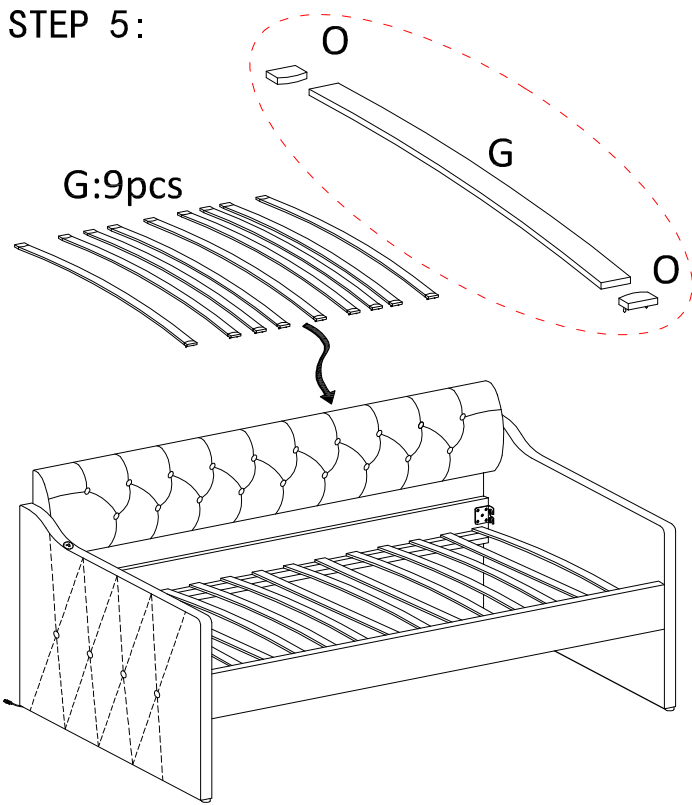
STEP 4:



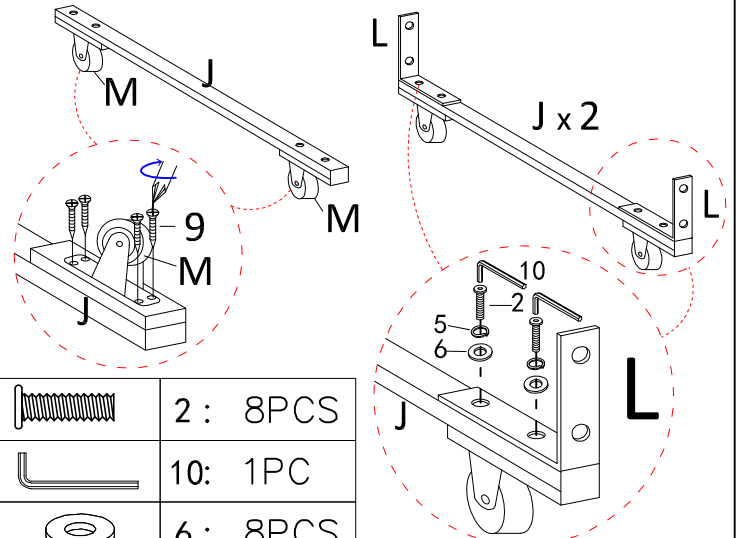
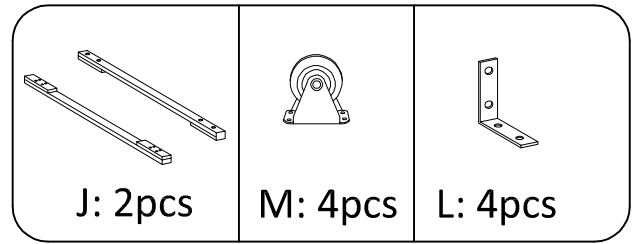
	4 : 8PCS
	8 : 8PCS
	7 : 8PCS
	12: 1PC
	11: 1PC

Assembly Steps

STEP 5:



STEP 6:

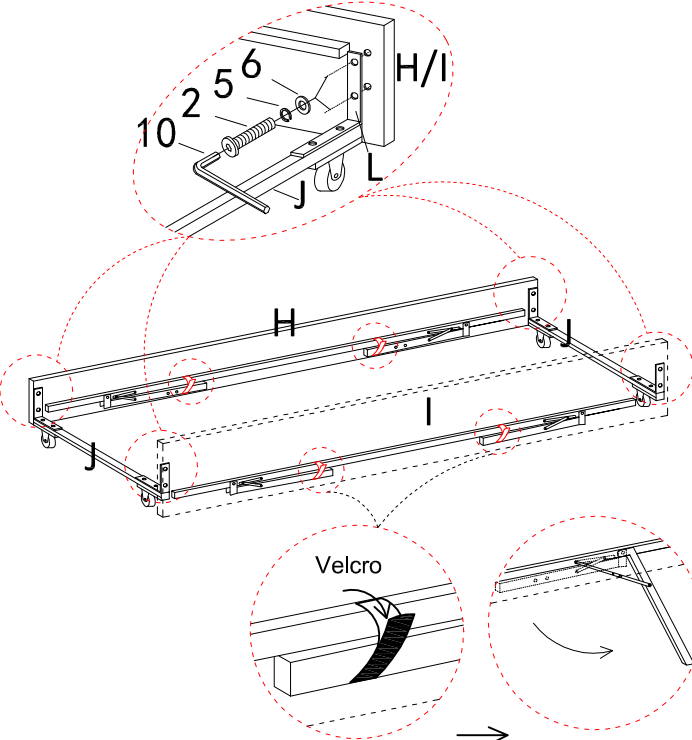


	2 : 8PCS
	10: 1PC
	6 : 8PCS
	5 : 8PCS

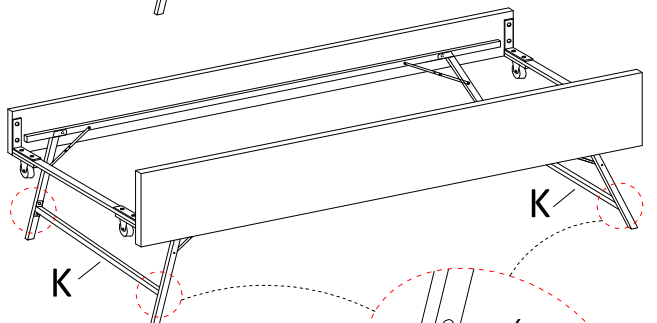
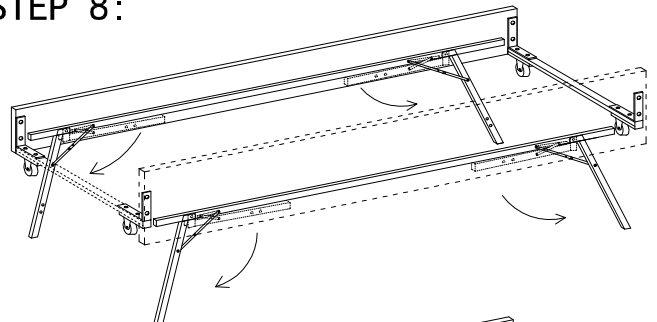
	9 : 16PCS
--	-----------

	0 : 18PCS
--	-----------

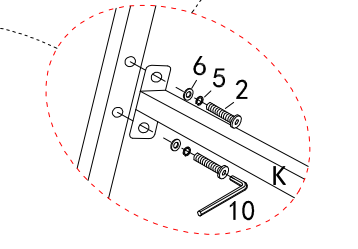
STEP 7:



STEP 8:



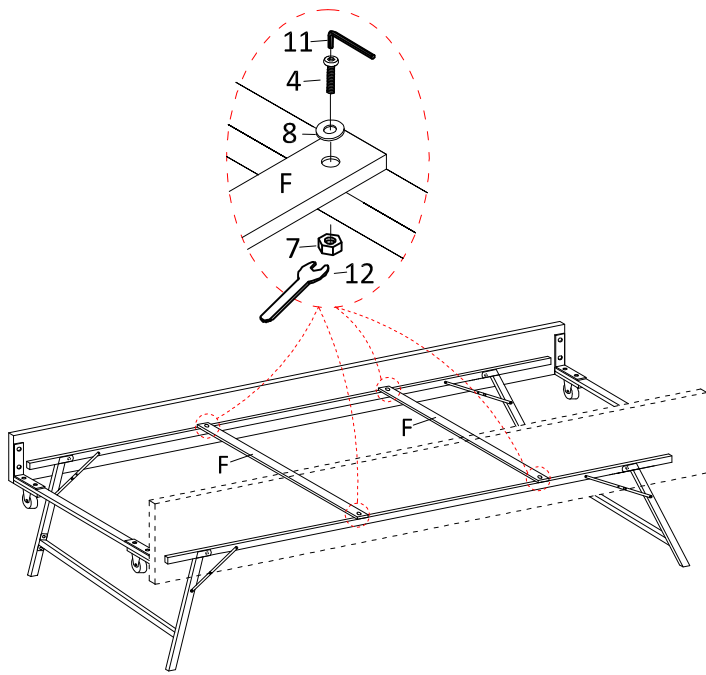
	2 : 8PCS
	10: 1PC
	6 : 8PCS
	5 : 8PCS



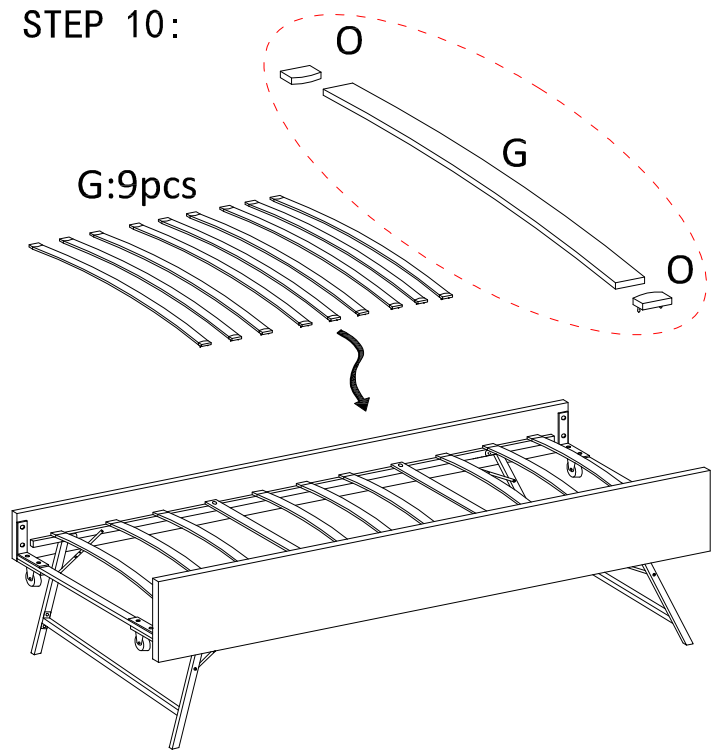
	2 : 8PCS
	10: 1PC
	6 : 8PCS
	5 : 8PCS


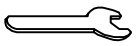



Assembly Steps

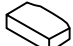
STEP 9:



STEP 10:



	4 : 4PCS		12: 1PC
	8 : 4PCS		11: 1PC
	7 : 4PCS		

	0 : 18PCS
---	-----------

STEP 11:

