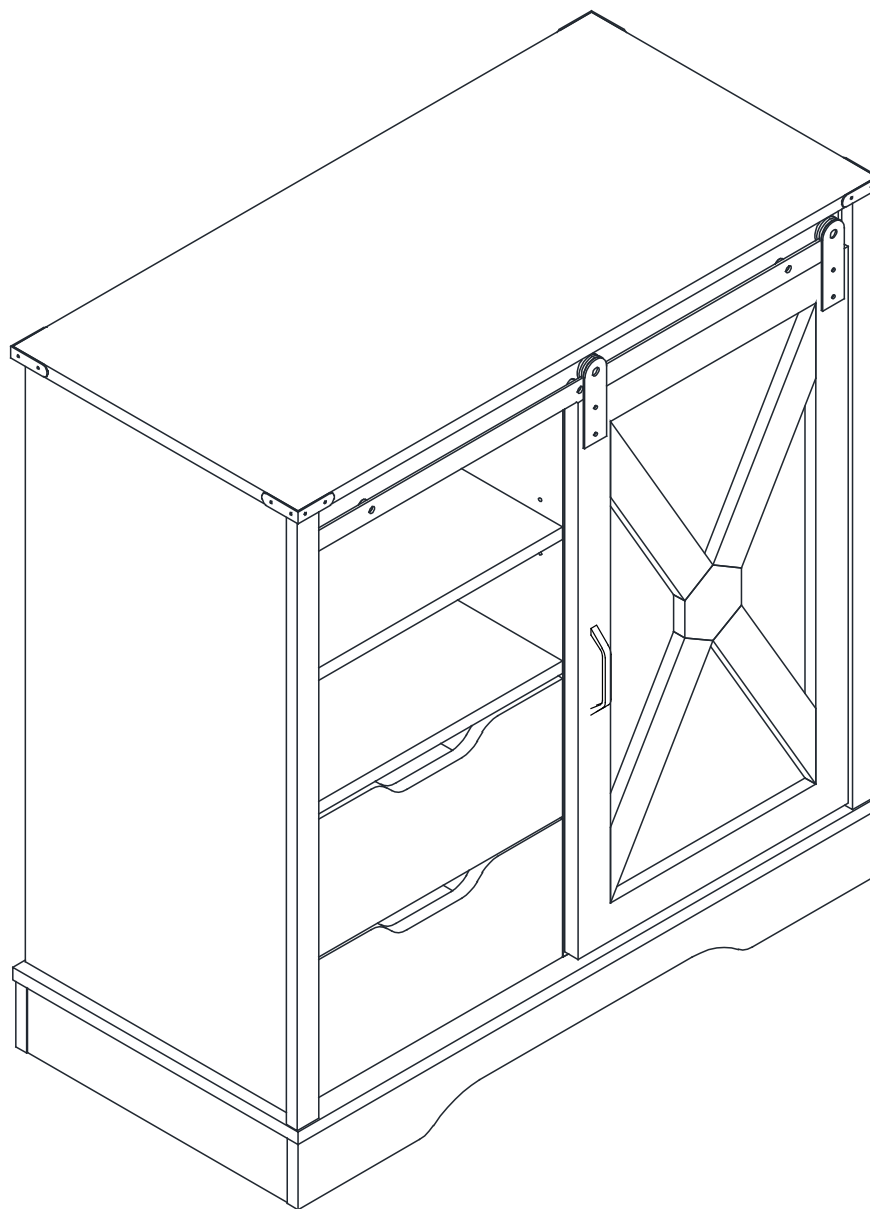
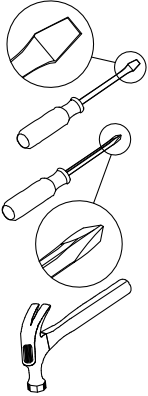

FansaFurn



Before You Start



- ✓ Read through each step carefully and follow the proper order
- ✓ Separate and count all your parts and hardware
- ✓ Give yourself enough room for the assembly process
- ✓ Have the following tools: Flat Head Screwdriver, #2 Phillips Head Screwdriver and Hammer
- ✓ Caution: If using a power drill or power screwdriver for screwing, Please slow down or stop when the screw is tightened. Otherwise it may cause the screws to peel off.

Helpful Hints

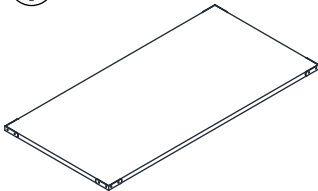
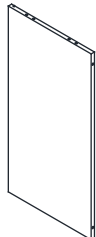
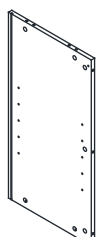

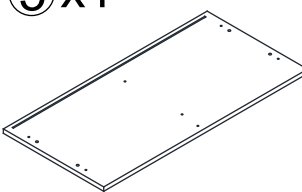
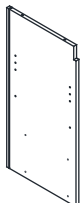
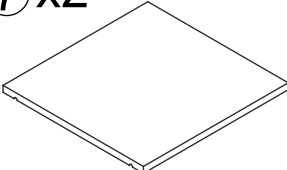
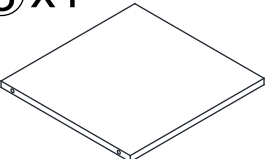
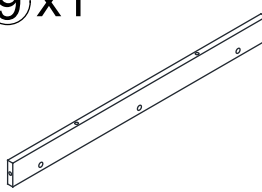
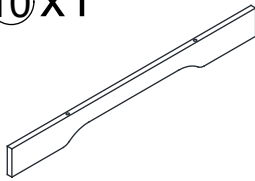
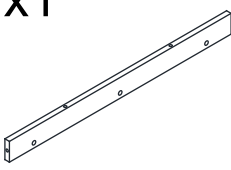
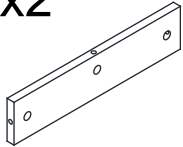
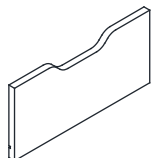
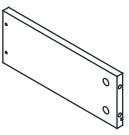
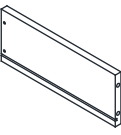
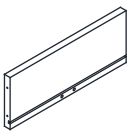
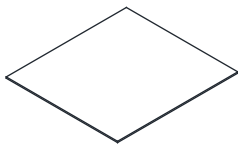
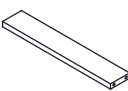
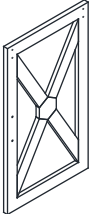
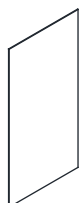
PEOPLE NEEDED FOR ASSEMBLY: 1-2

- Open your item in the area you plan to keep it to avoid excessive heavy lifting.
- Identify, sort and count the parts before attempting to assembly.
- Compression dowels are lightly tapped in with a hammer.
- Slides are labeled with an **R** (right) and **L** (left) for proper placement.
- Make sure to always face the point on the top of the Cam Lock towards the outer edge.
- Use all the nails provided for the back panel and spread them out equally.
- Back panel must be used to make sure your unit is sturdy.
- Do NOT use harsh chemicals or abrasive cleaners on this item.
- Never push, pull, or drag your furniture.

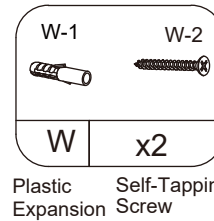
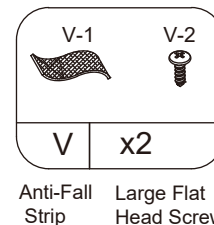
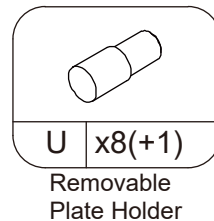
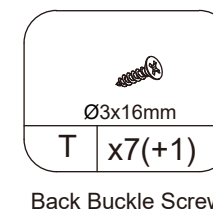
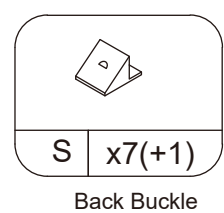
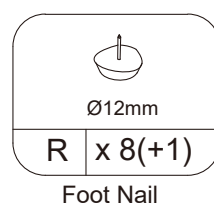
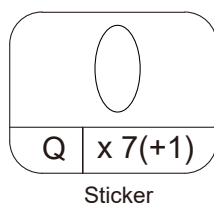
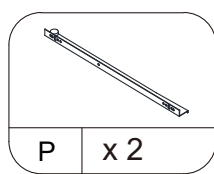
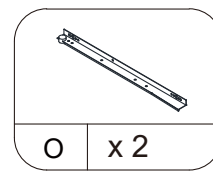
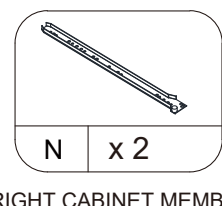
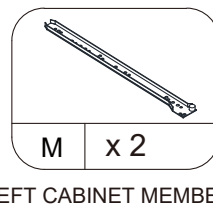
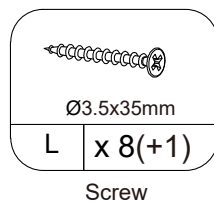
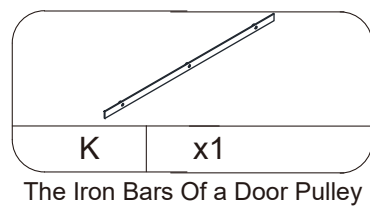
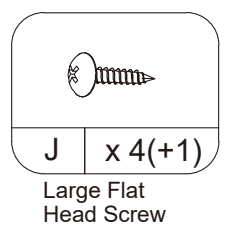
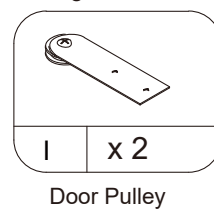
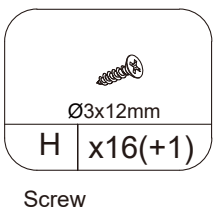
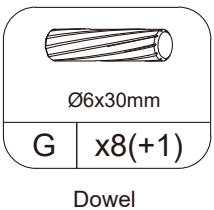
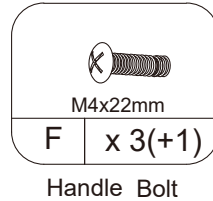
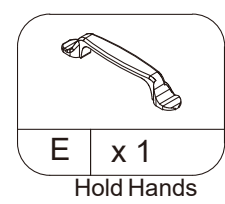
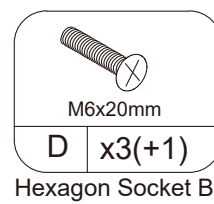
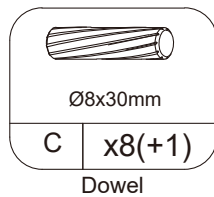
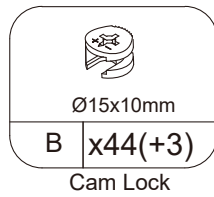
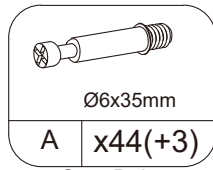


Board Identification

Not actual size

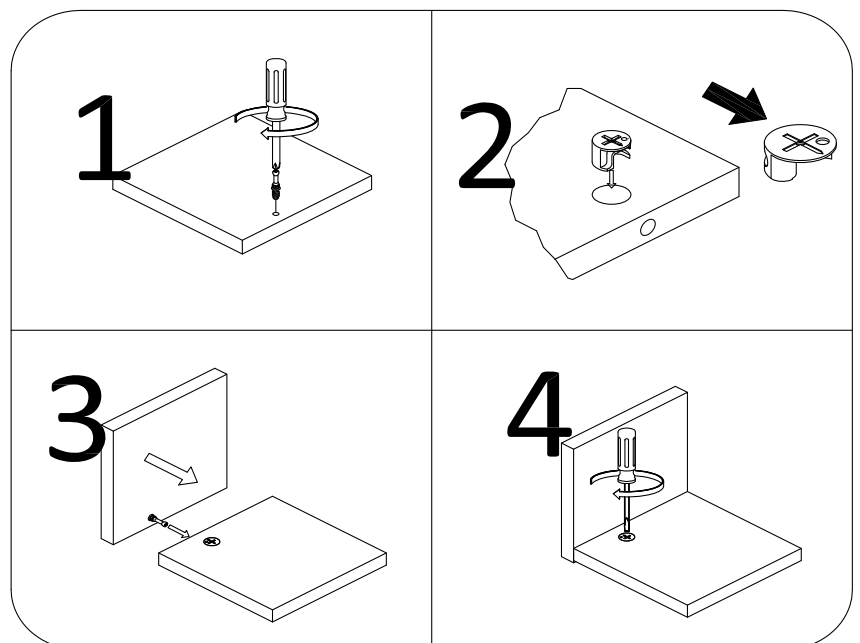
<p>① x1</p>  <p>Roof Plate</p>	<p>② x1</p>  <p>Left Side Plate</p>	<p>③ x1</p>  <p>Right Side Plate</p>	<p>④ x2</p>  <p>Front Vertical Bar Of Side Panel</p>
<p>⑤ x1</p>  <p>Bottom Plate</p>	<p>⑥ x1</p>  <p>Support Plate</p>	<p>⑦ x2</p>  <p>Active Lamination</p>	<p>⑧ x1</p>  <p>Fixing Lamination</p>
<p>⑨ x1</p>  <p>Fixed Slide Plate</p>	<p>⑩ x1</p>  <p>Front Cross Bars Under Bottom Plate</p>	<p>⑪ x1</p>  <p>Rear Cross Bars Under Bottom Plate</p>	<p>⑫ x2</p>  <p>Left And Right Vertical Bars Under Bottom Plate</p>
<p>⑬ x2</p>  <p>Drawer Panel</p>	<p>⑭ x2</p>  <p>Drawer Left Panel</p>	<p>⑮ x2</p>  <p>Drawer Right Panel</p>	<p>⑯ x2</p>  <p>Drawer Back Panel</p>
<p>⑰ x2</p>  <p>Drawer Bottom Plate</p>	<p>⑱ x2</p>  <p>Drawer Support Plate</p>	<p>⑲ x1</p>  <p>Door Frame</p>	<p>⑳ x2</p>  <p>Back Panel</p>

Part List

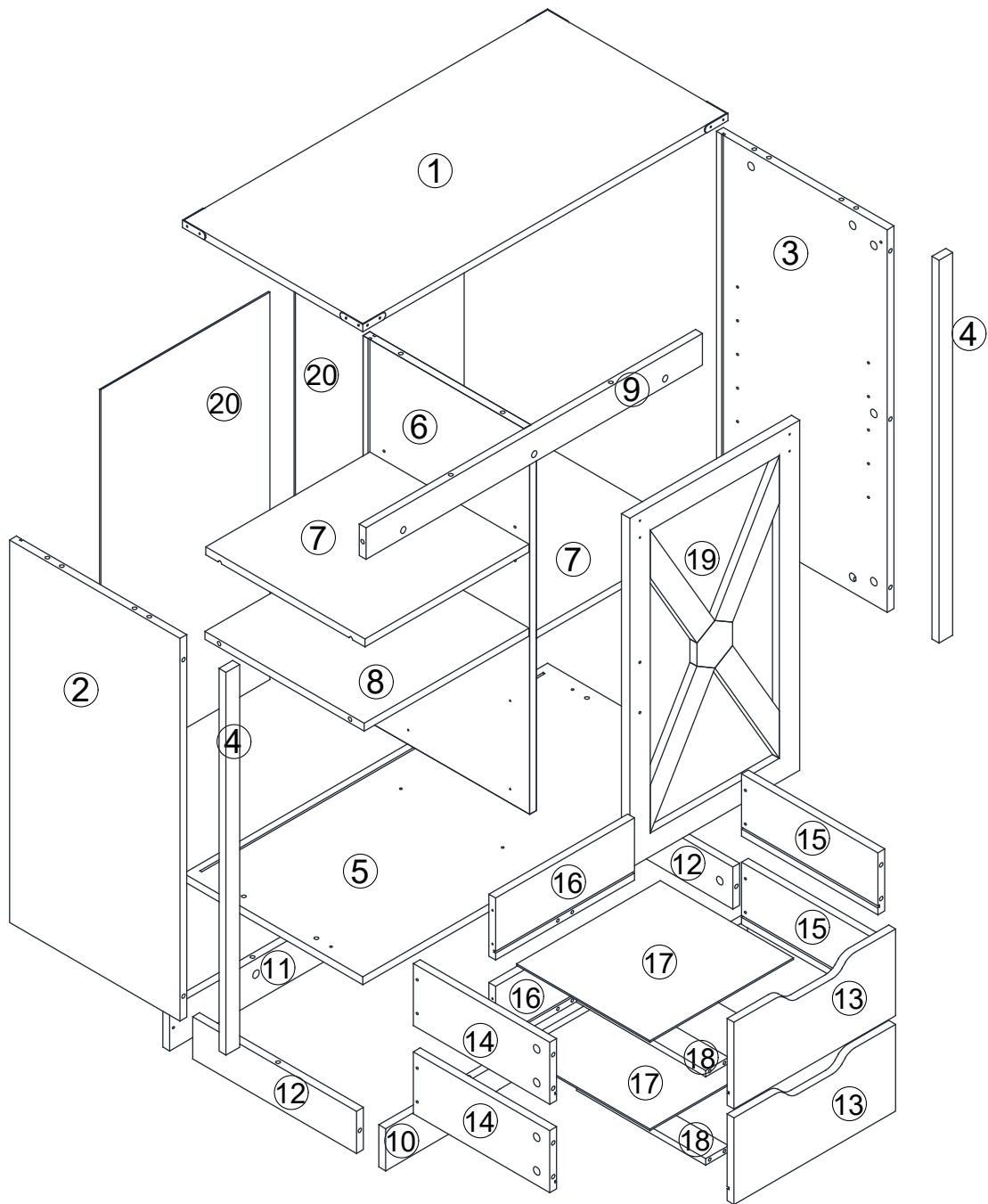


Cam Lock Fastening System

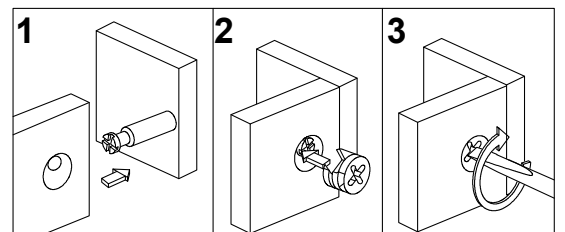
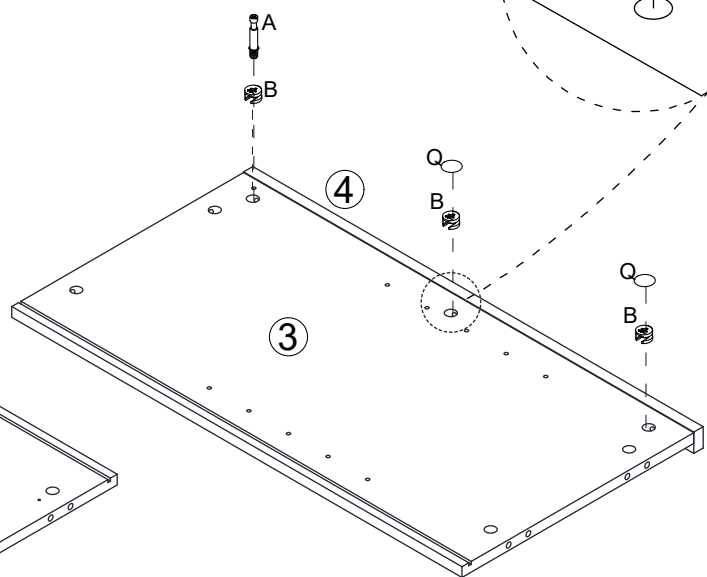
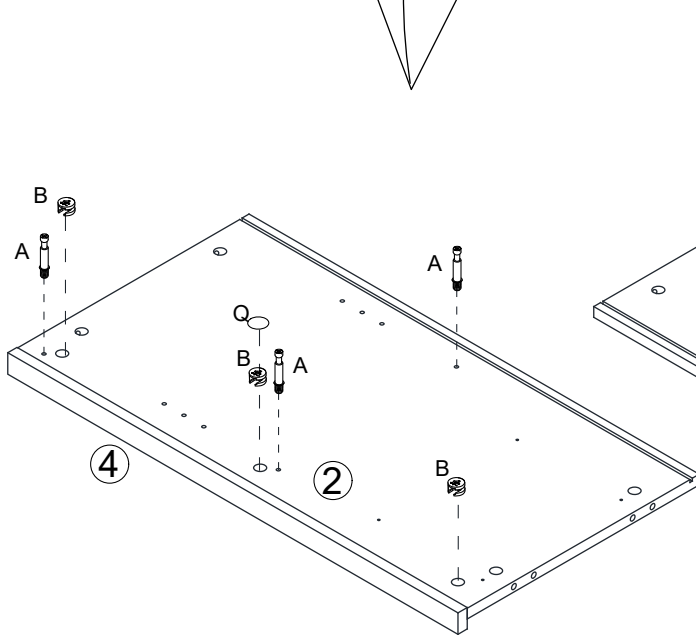
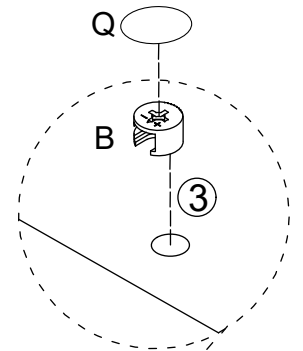
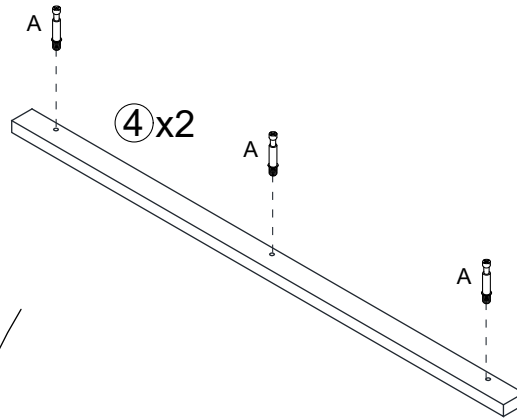
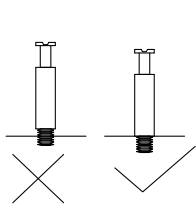
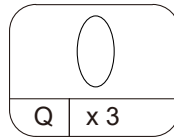
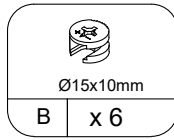
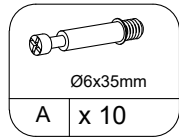
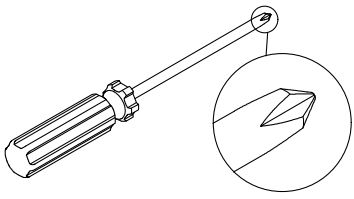
This Cam Lock Fastening System will be used throughout the assembly process.



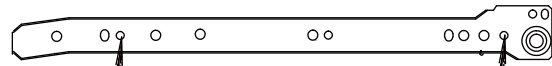
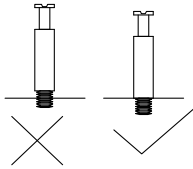
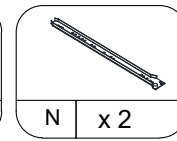
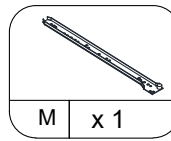
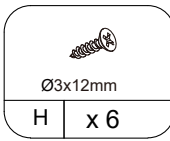
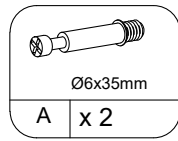
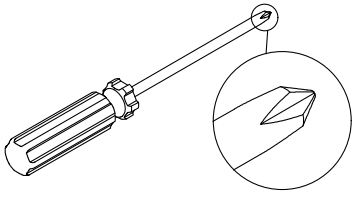
Board Identification



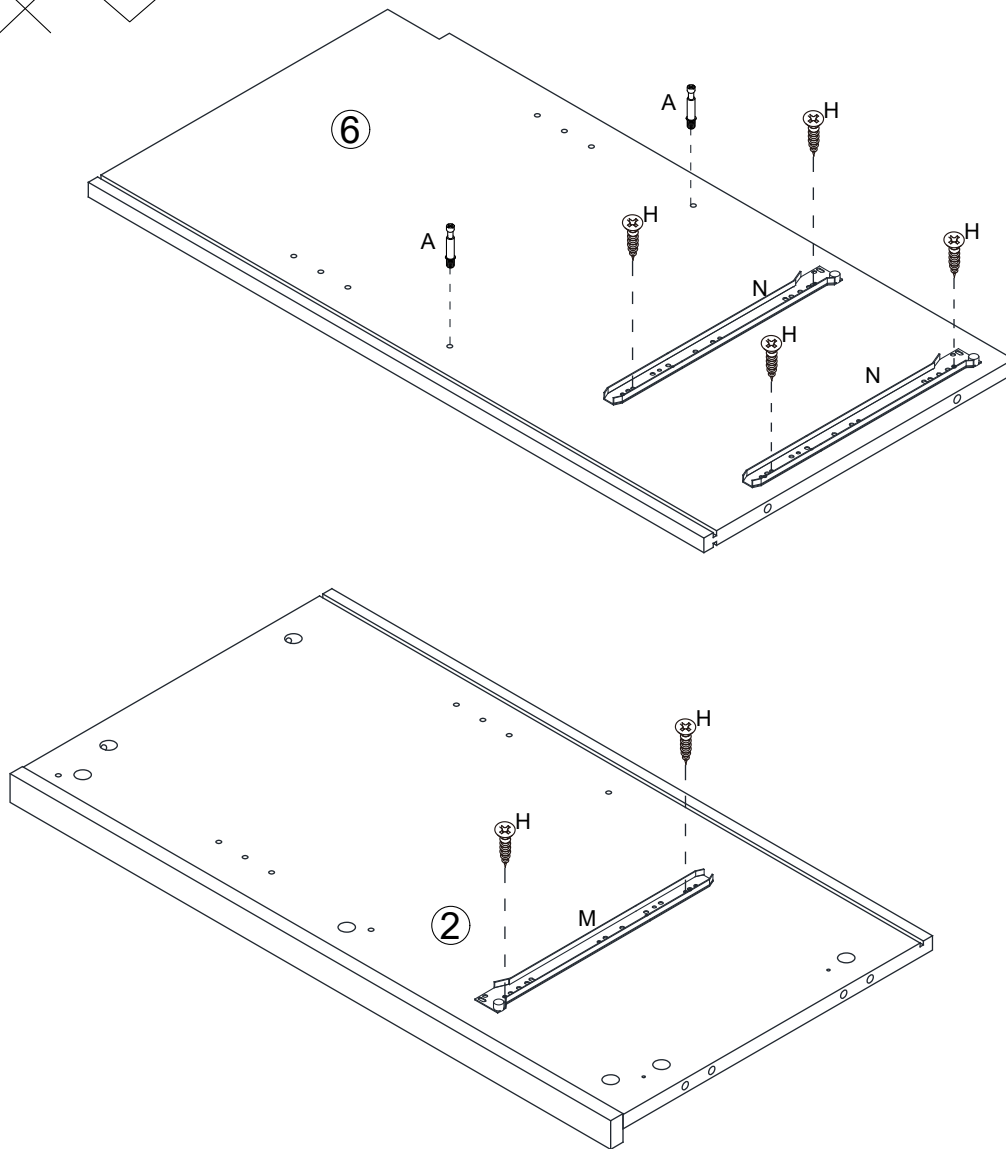
STEP 1



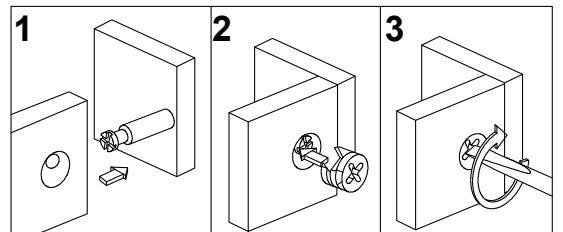
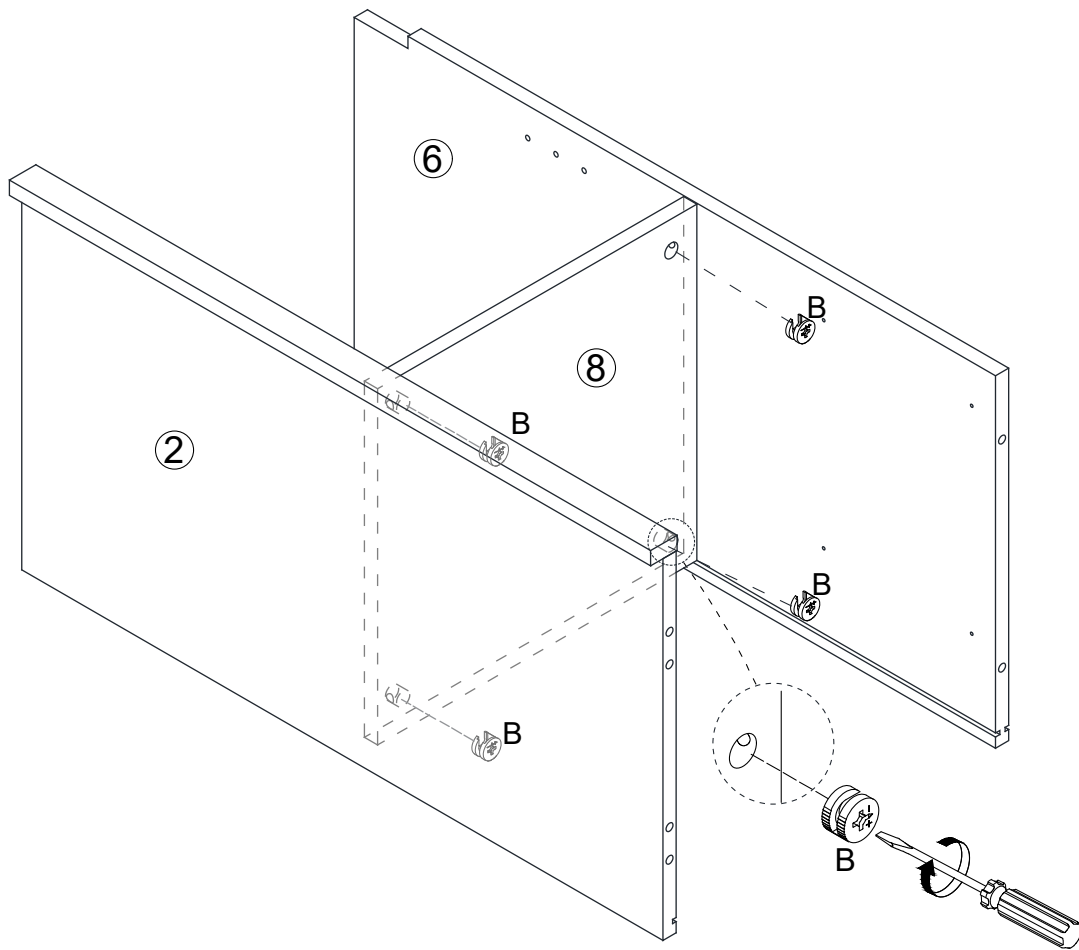
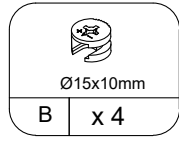
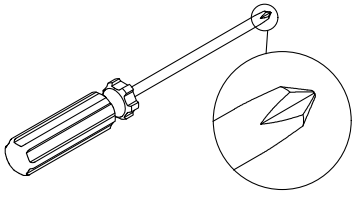
STEP 2



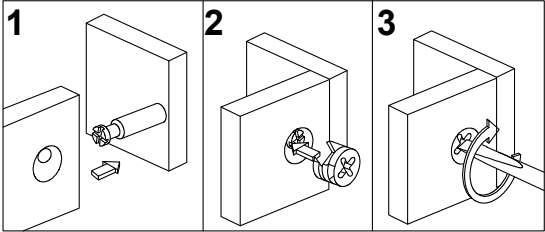
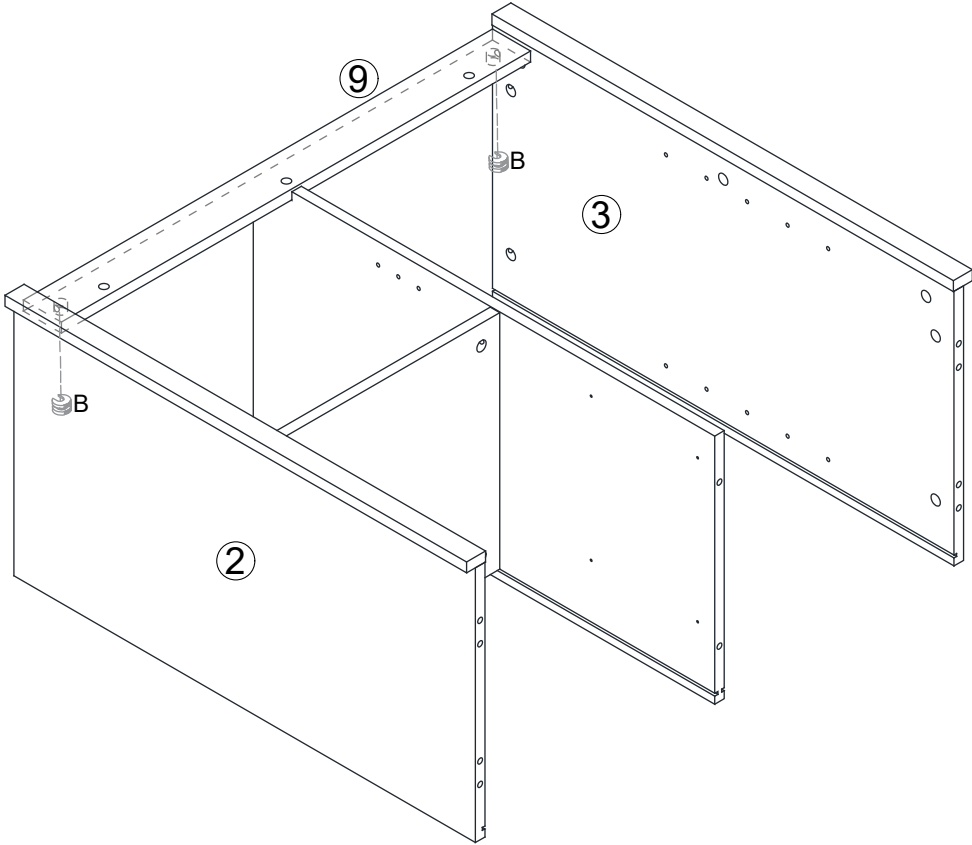
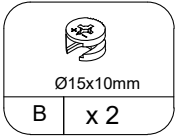
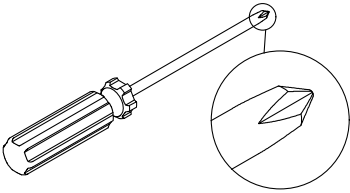
Please install the screws into the two holes



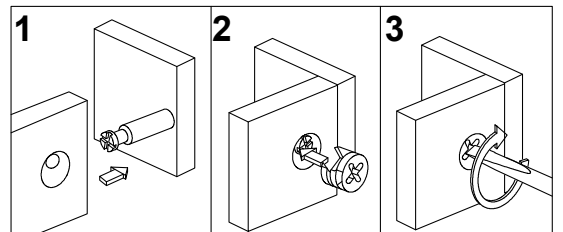
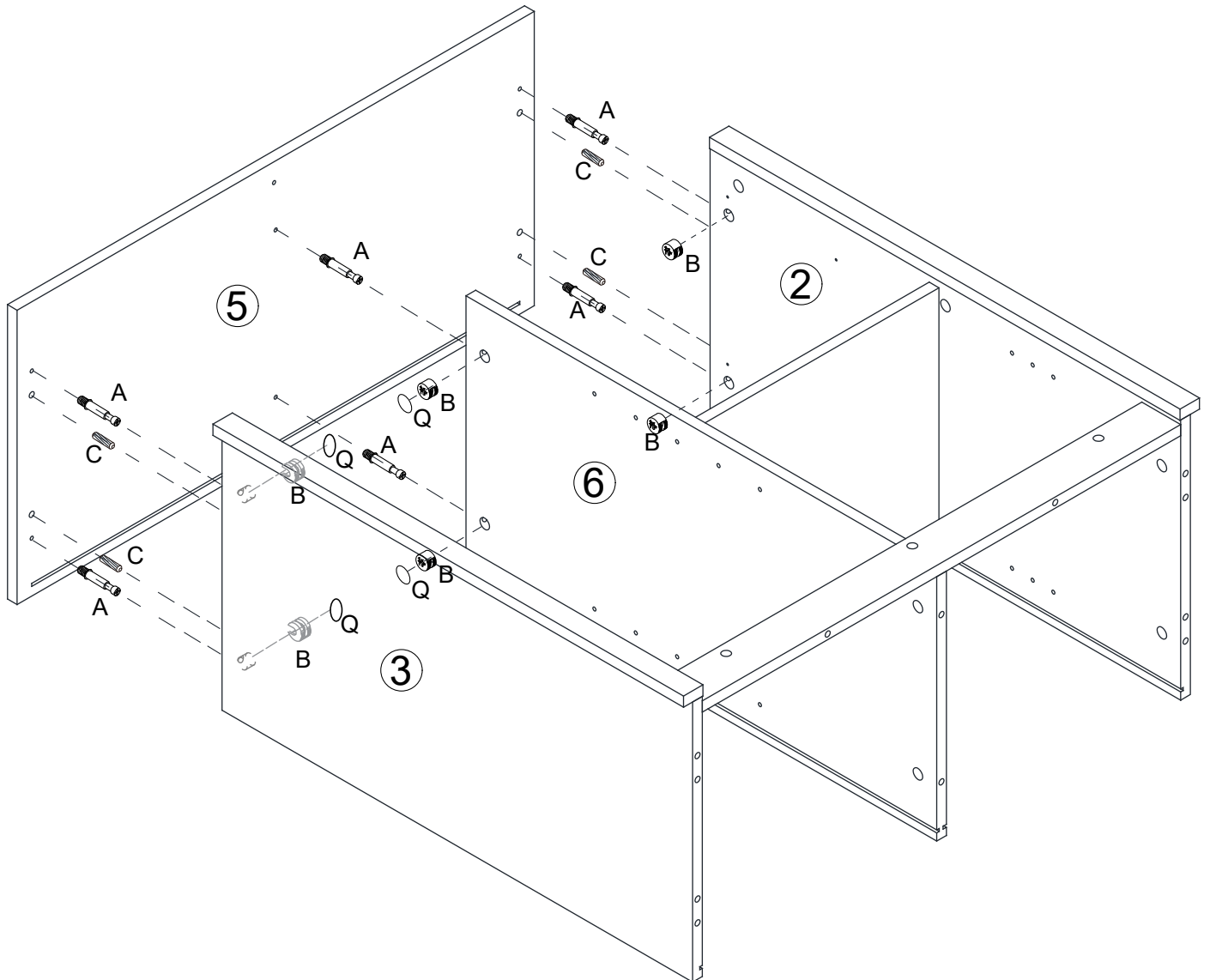
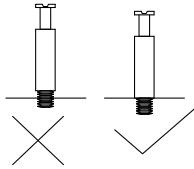
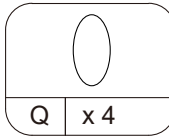
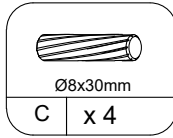
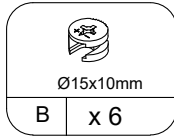
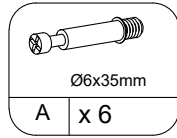
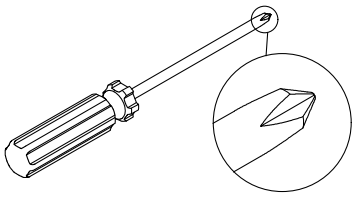
STEP 3



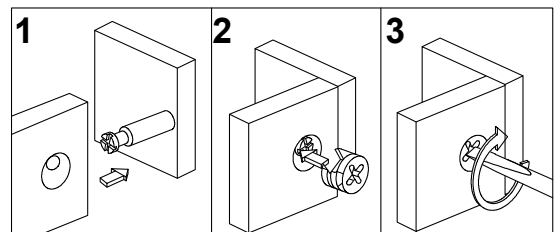
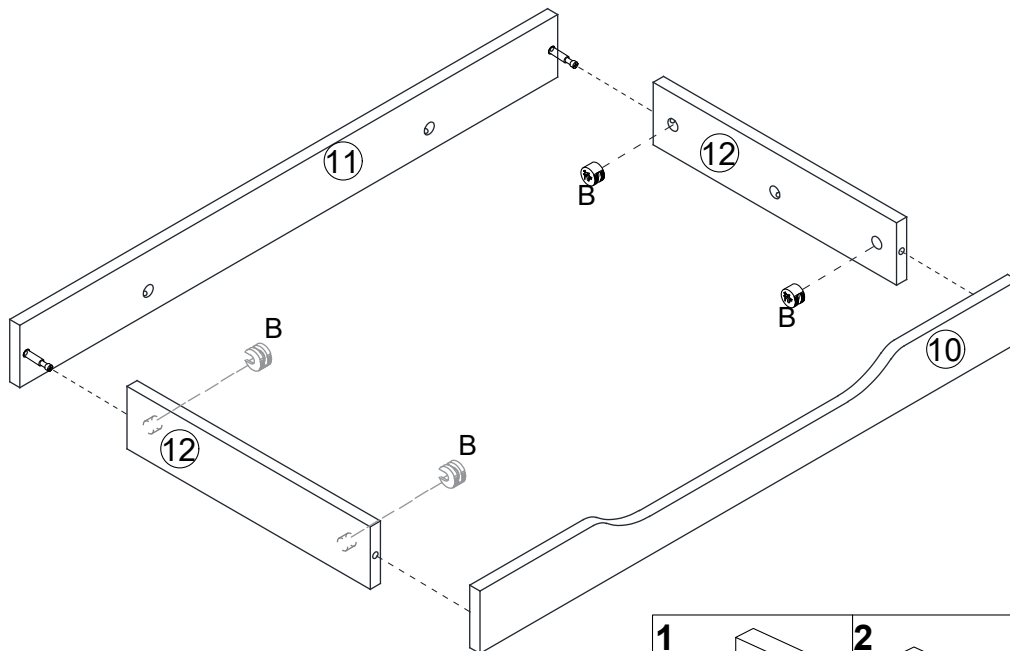
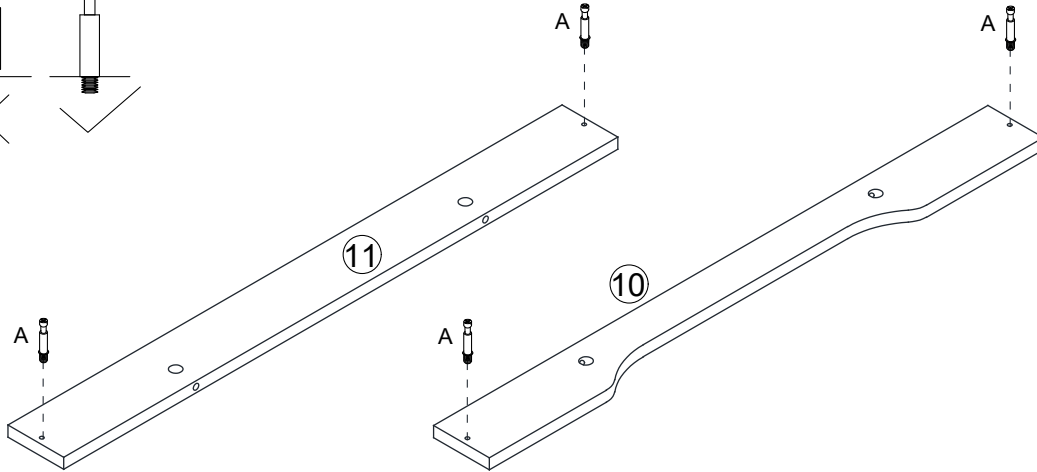
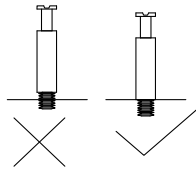
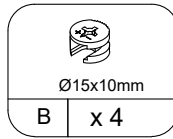
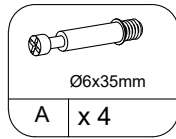
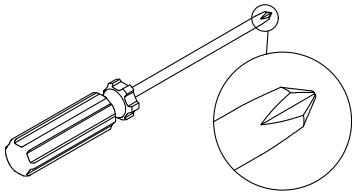
STEP 4



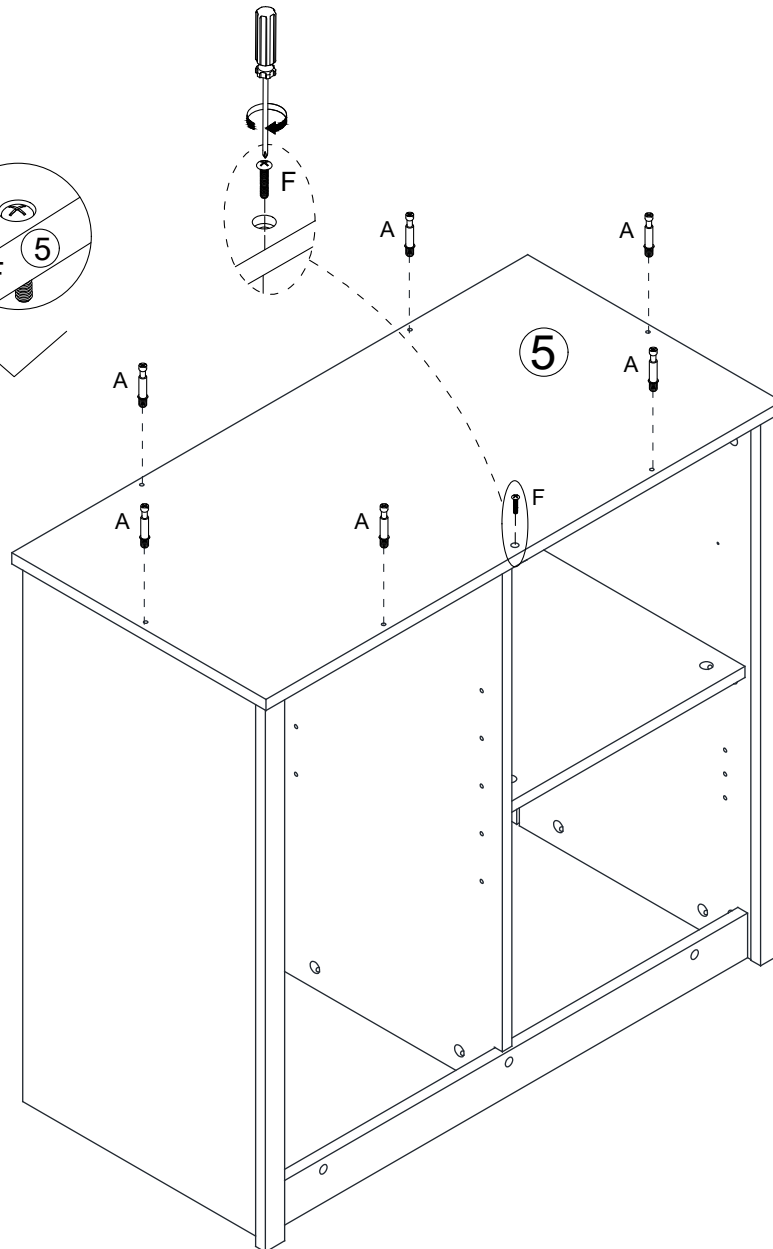
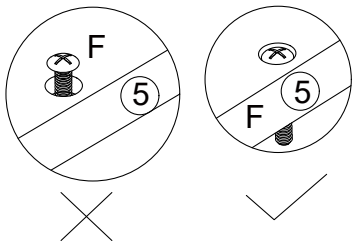
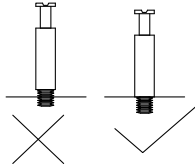
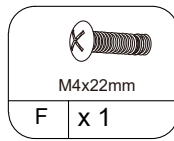
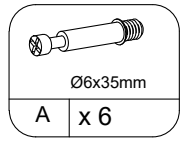
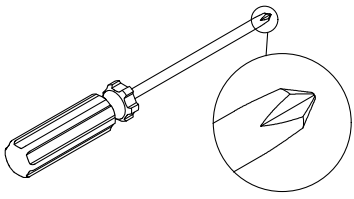
STEP 5



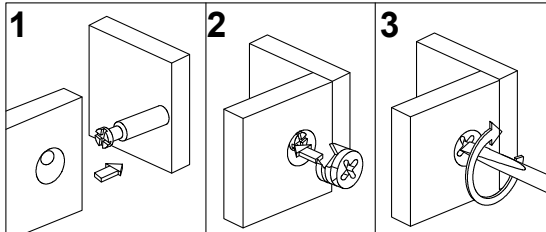
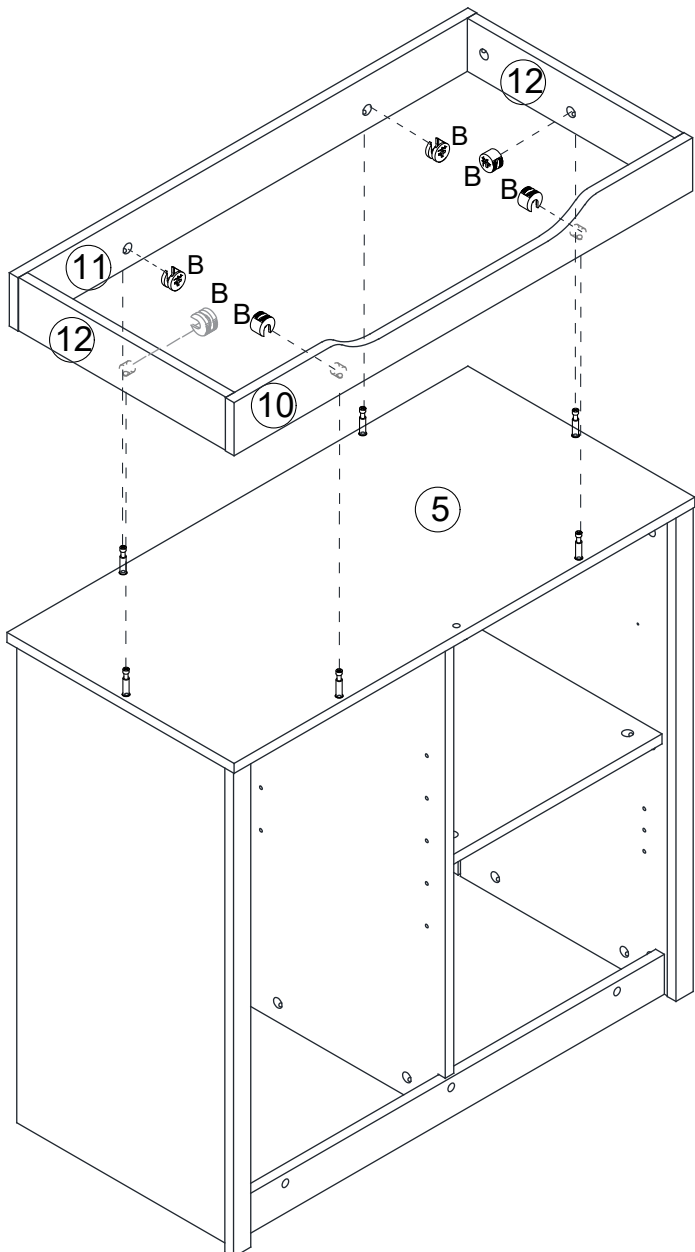
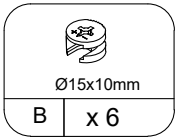
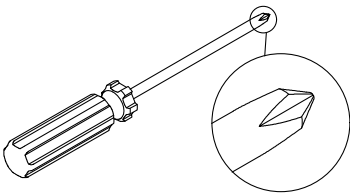
STEP 6



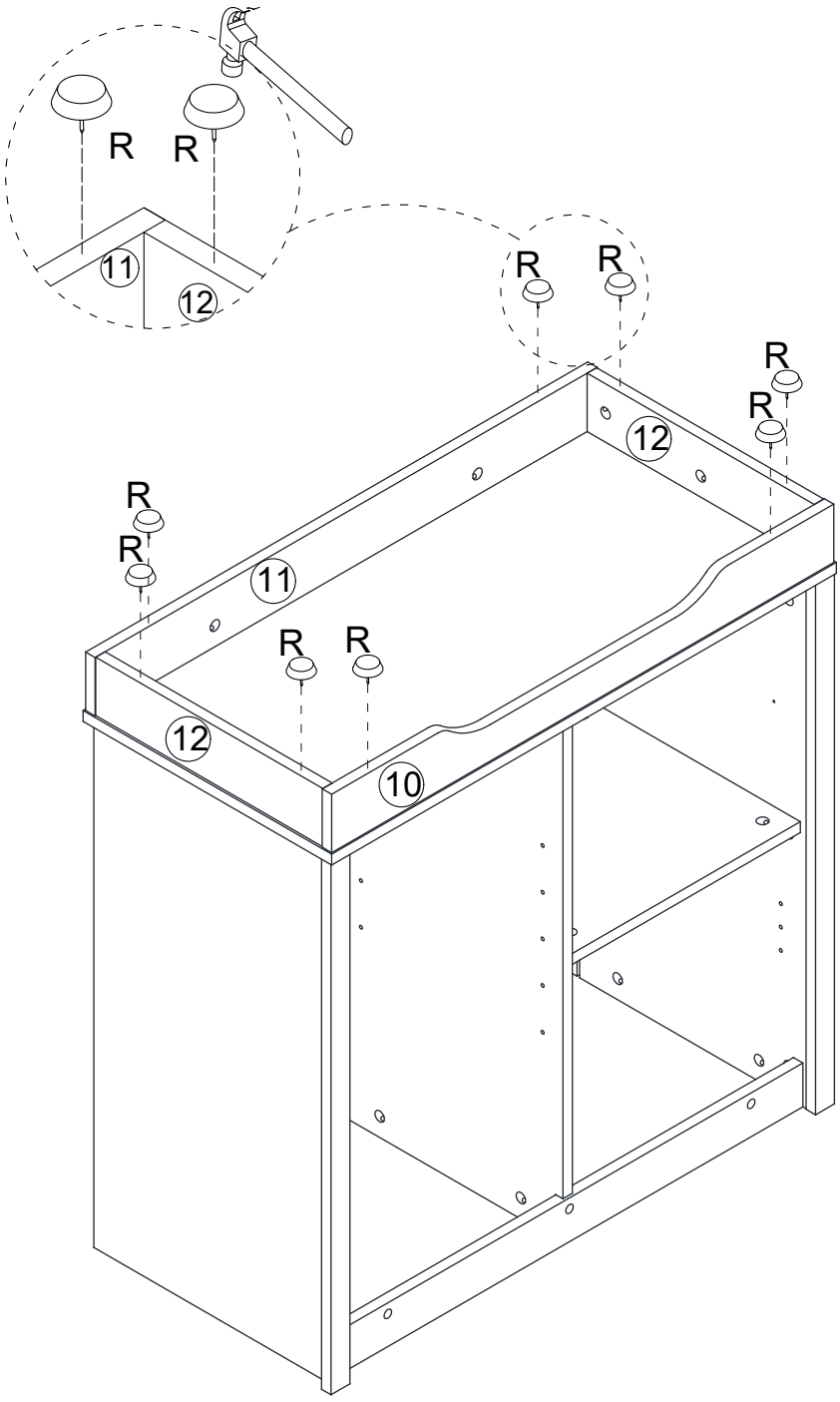
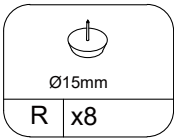
STEP 7



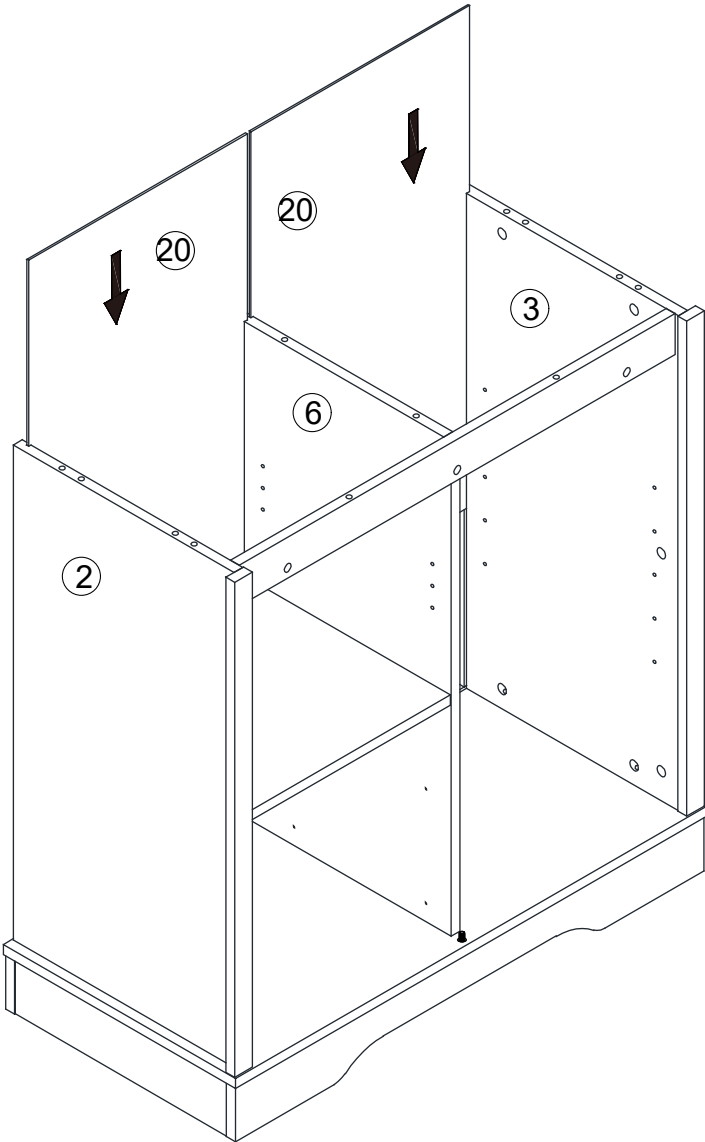
STEP 8



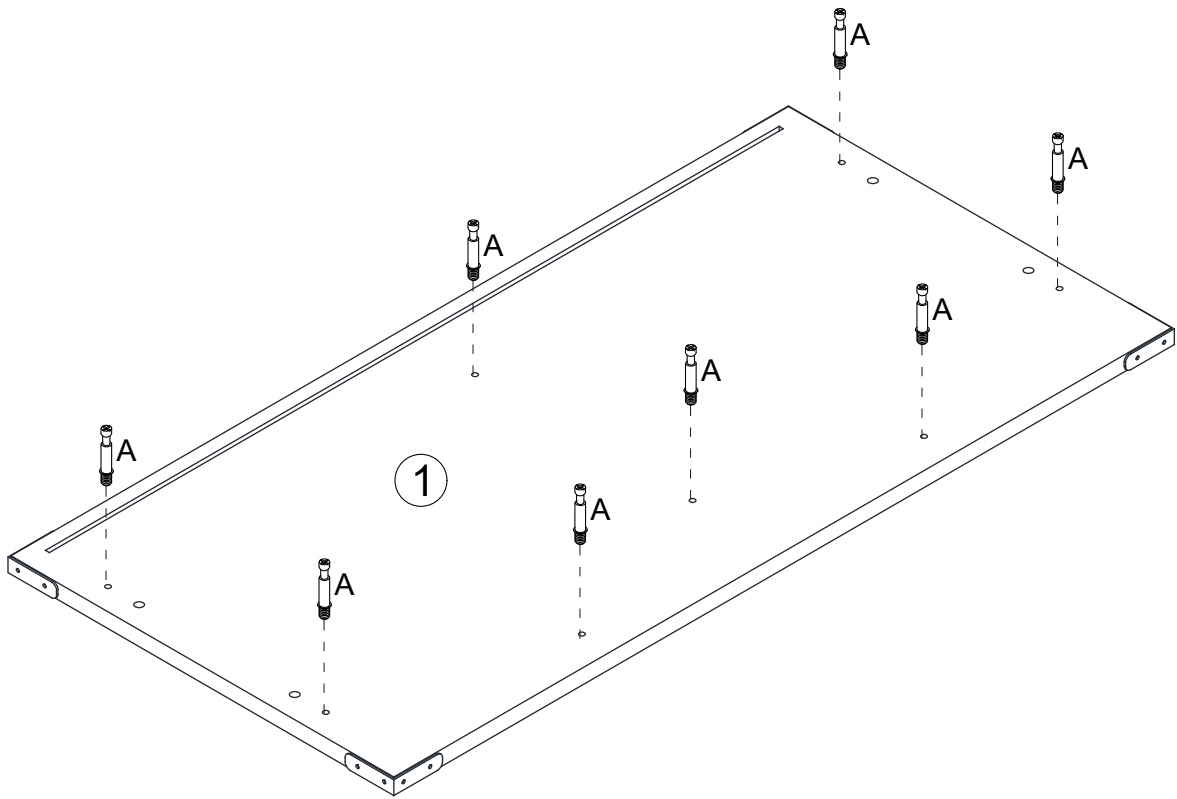
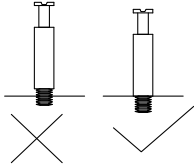
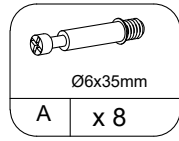
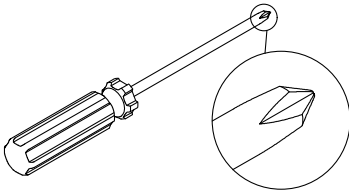
STEP 9



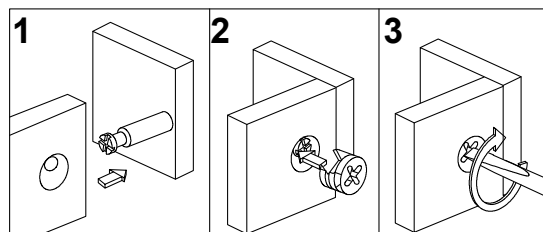
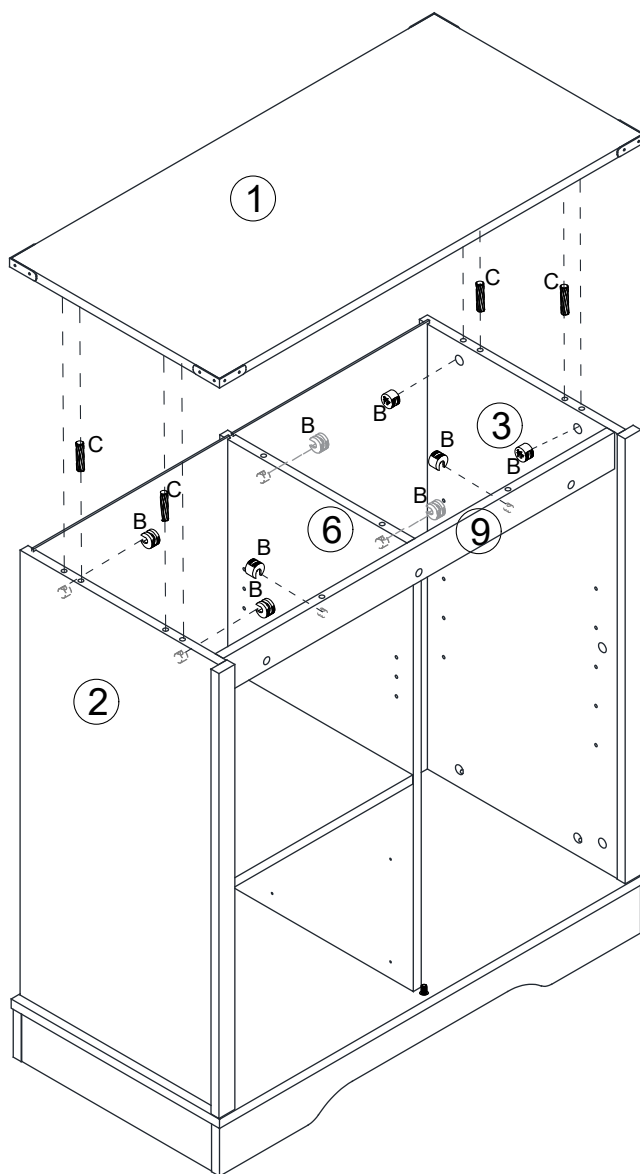
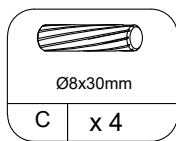
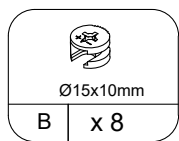
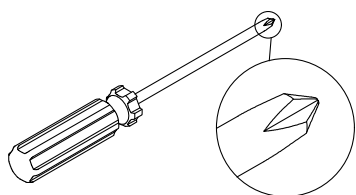
STEP 10



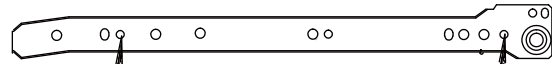
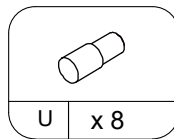
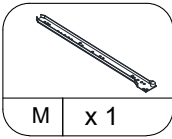
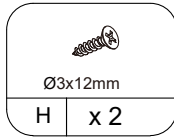
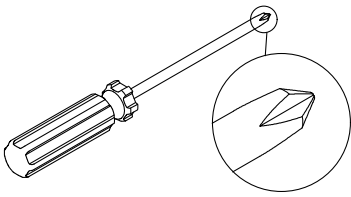
STEP 11



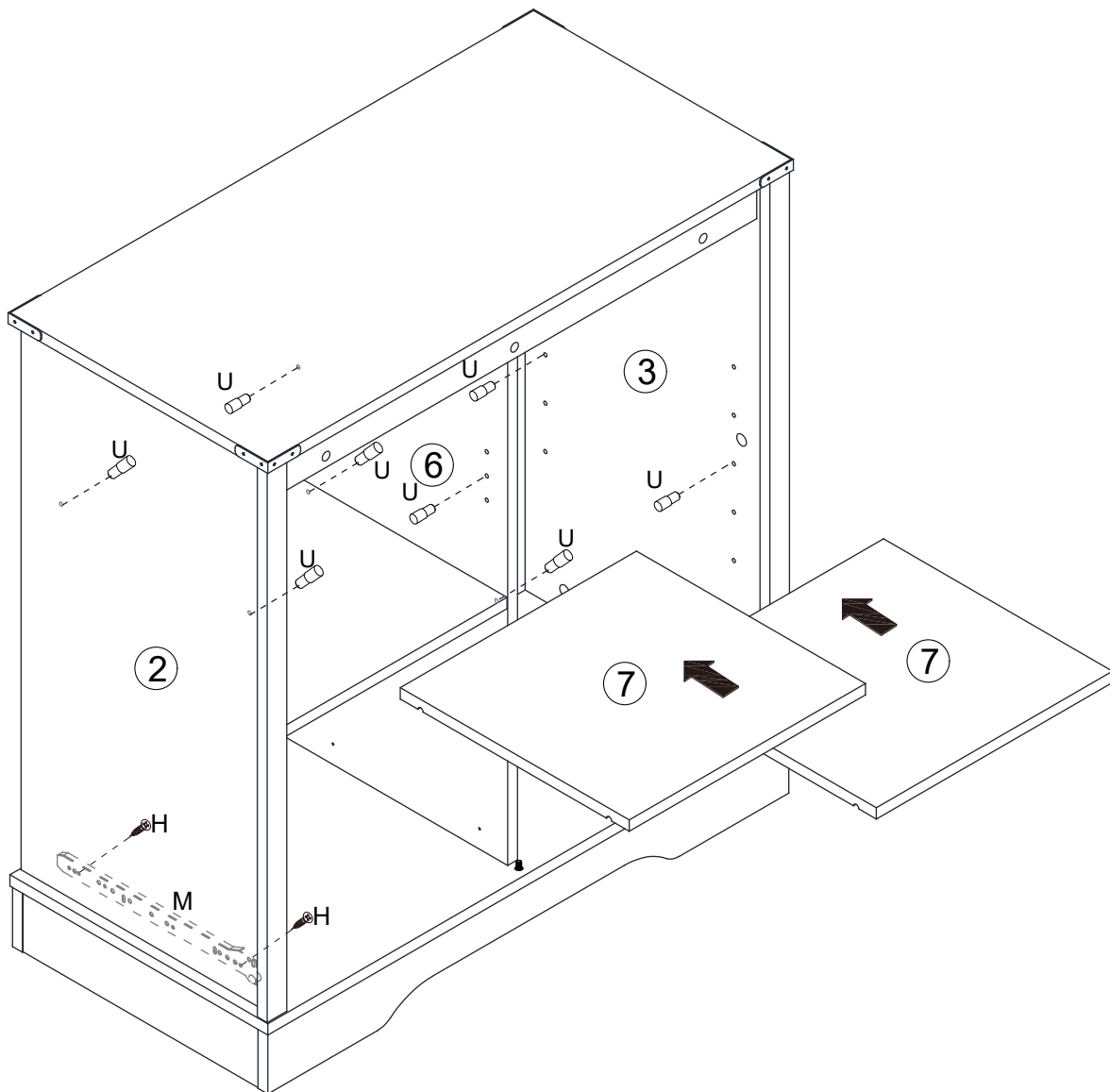
STEP 12



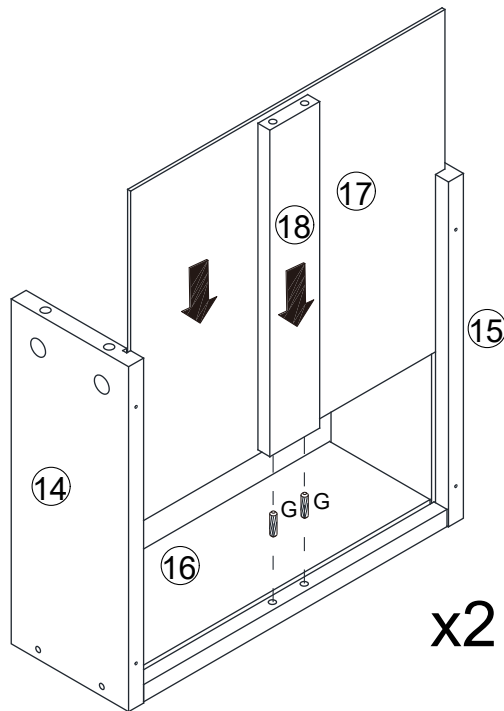
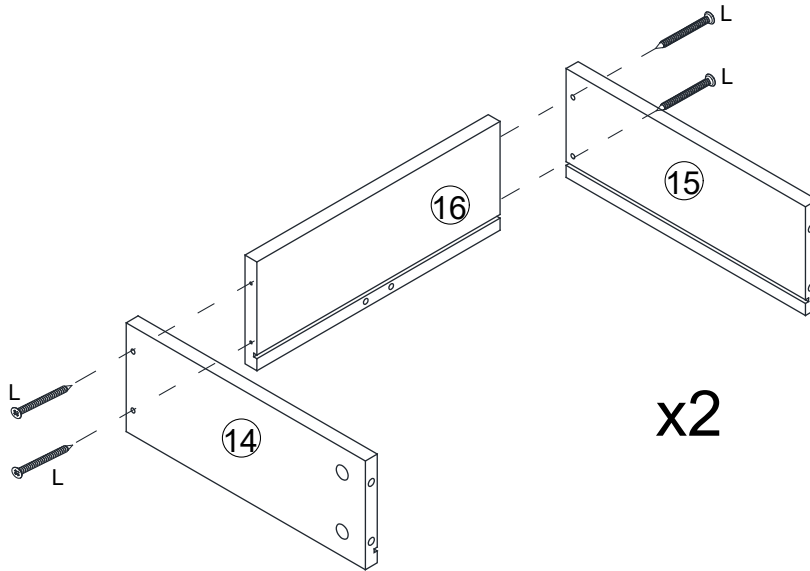
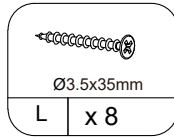
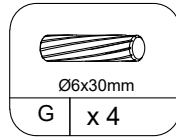
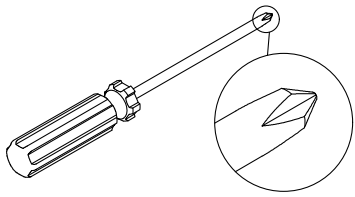
STEP 13



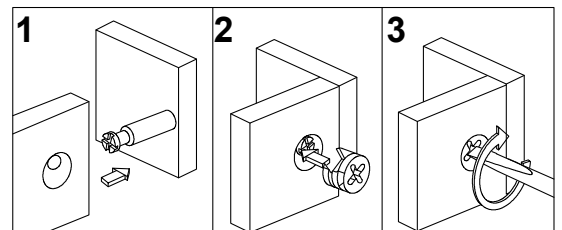
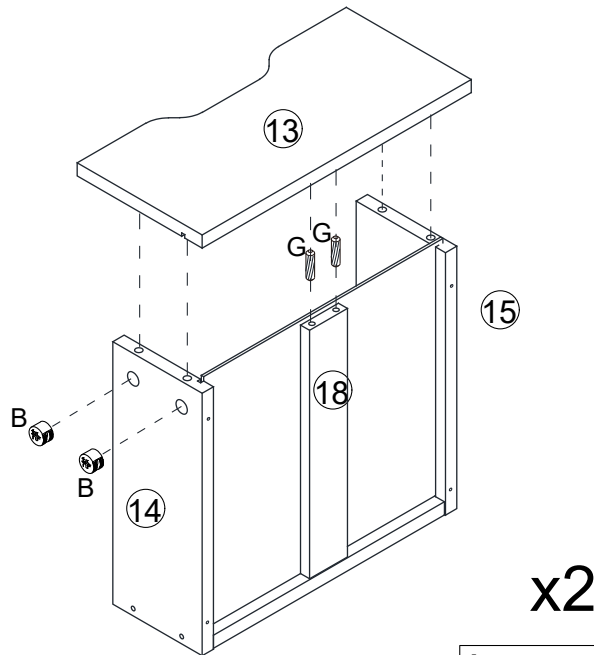
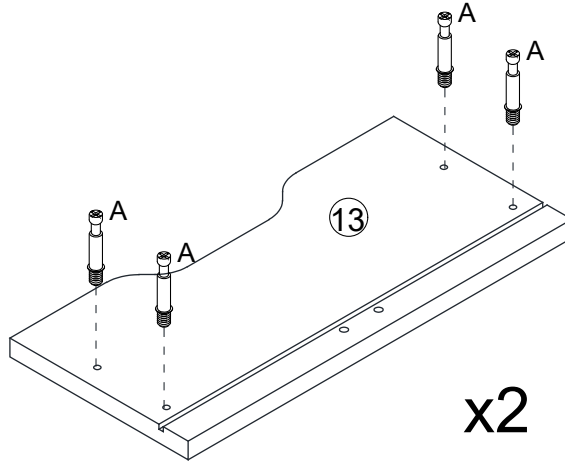
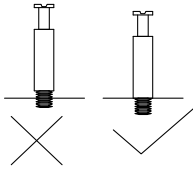
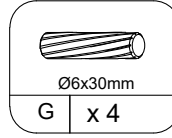
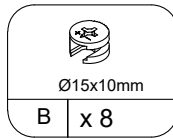
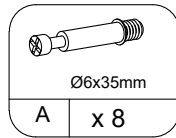
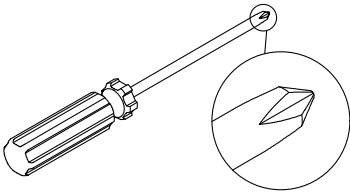
Please install the screws into the two holes



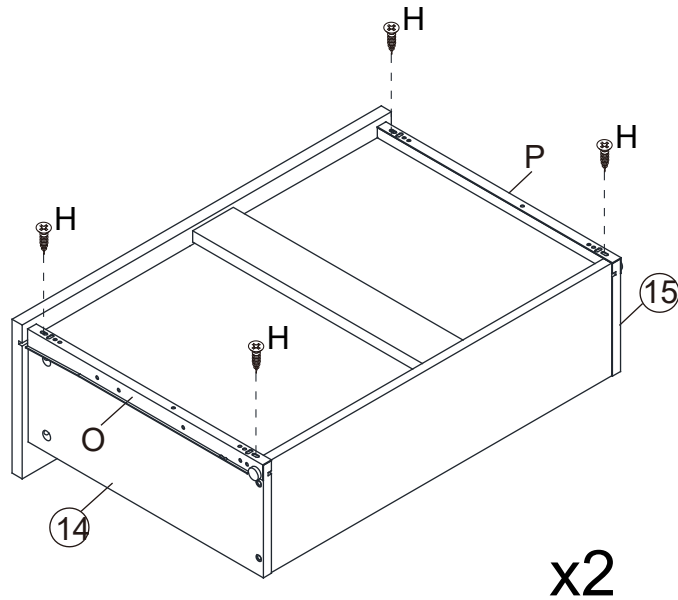
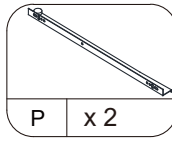
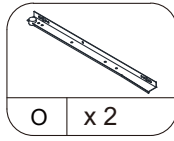
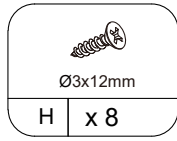
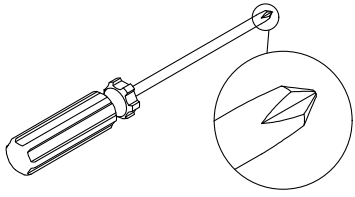
STEP 14



STEP 15

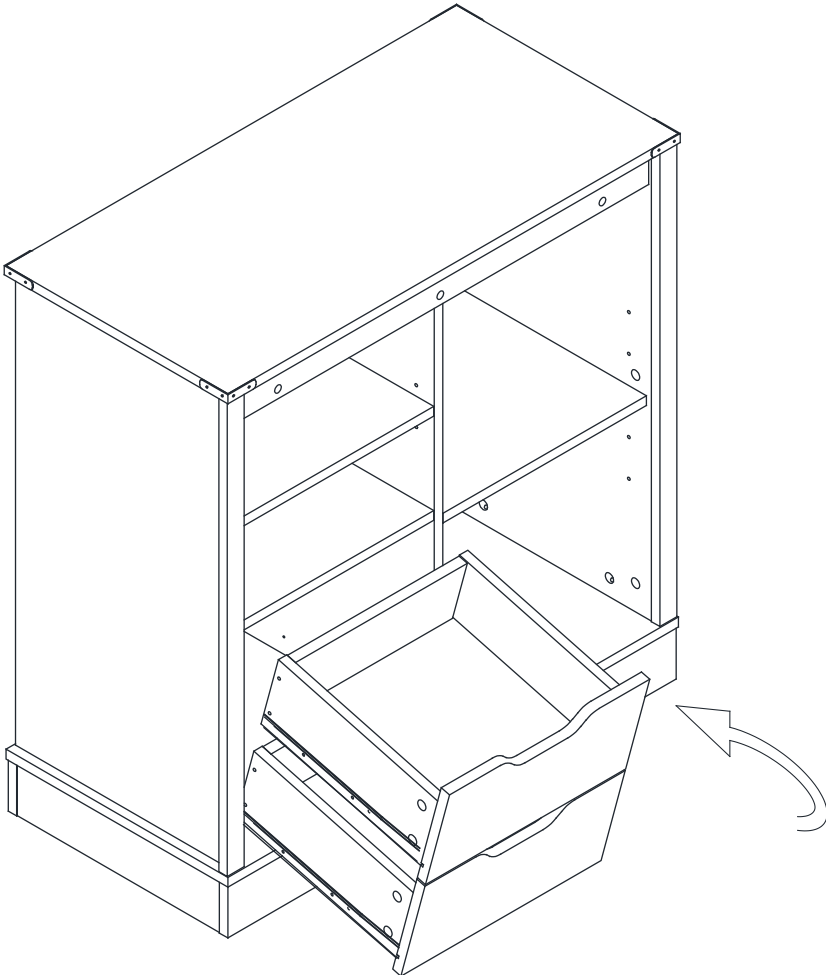


STEP 16

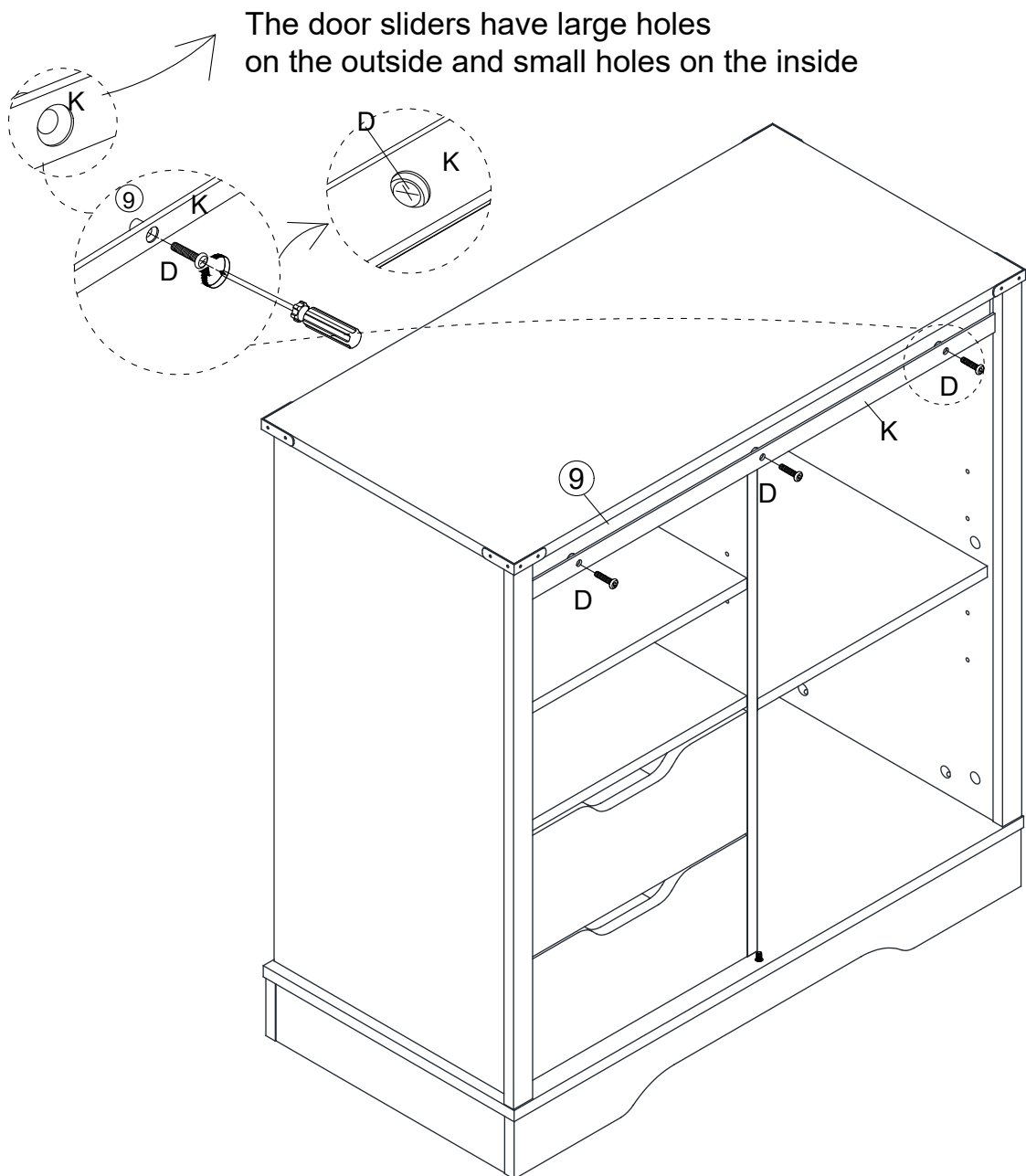
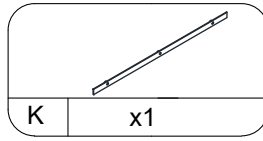
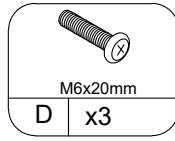
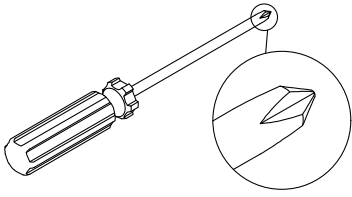


Please install the screws into the two holes

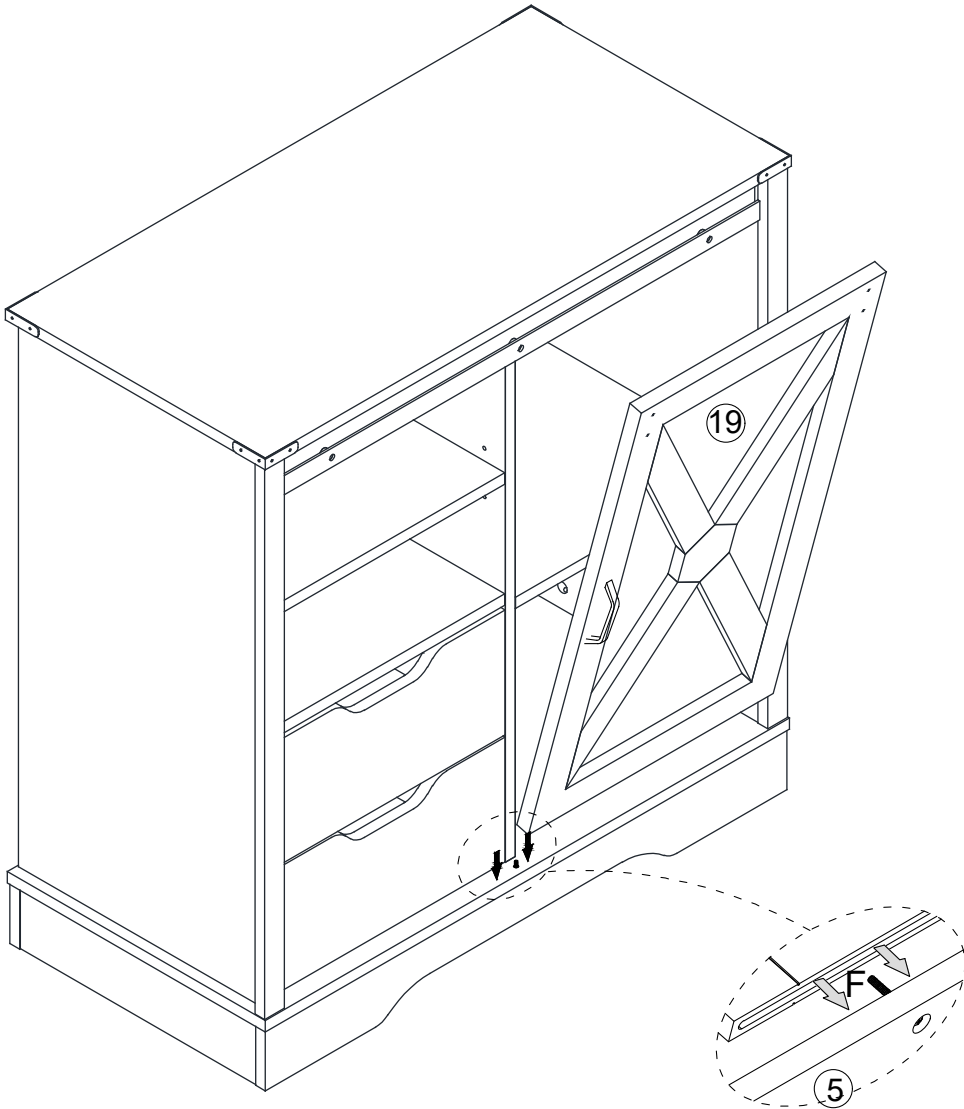
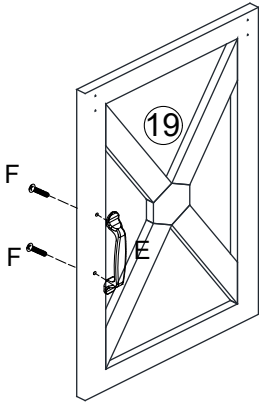
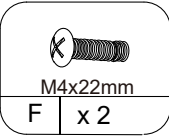
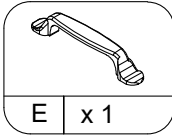
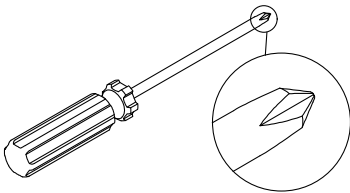
STEP 17



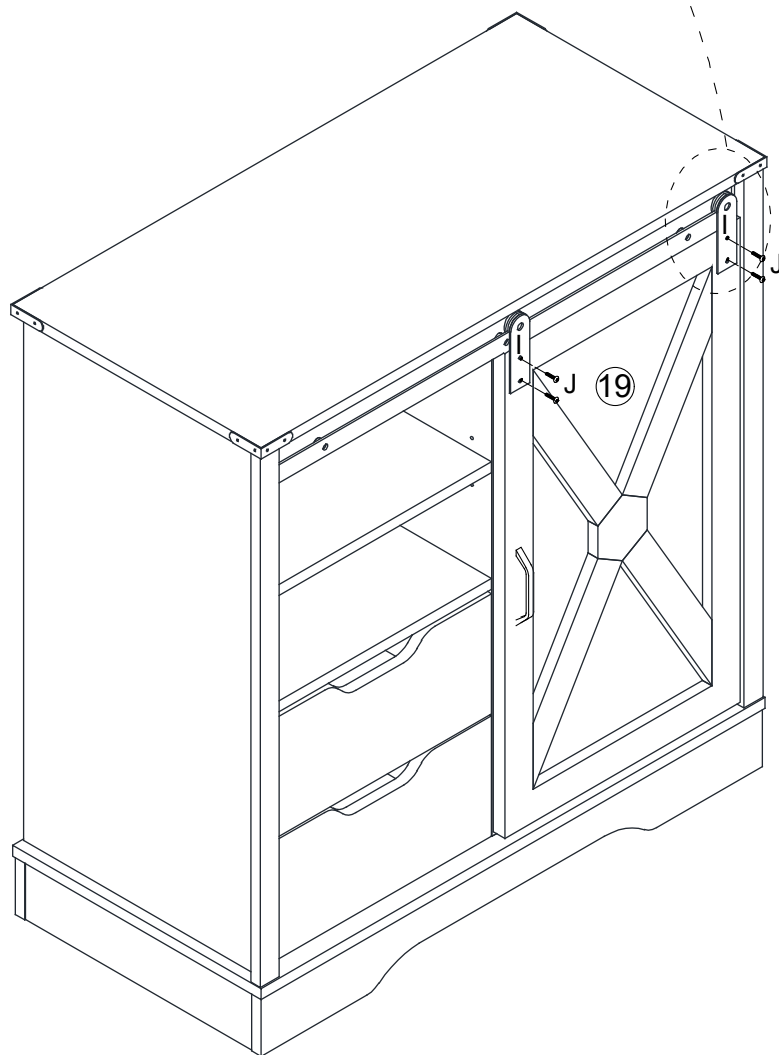
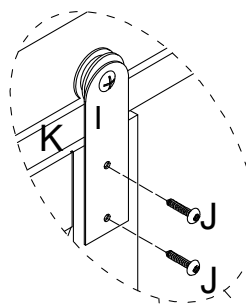
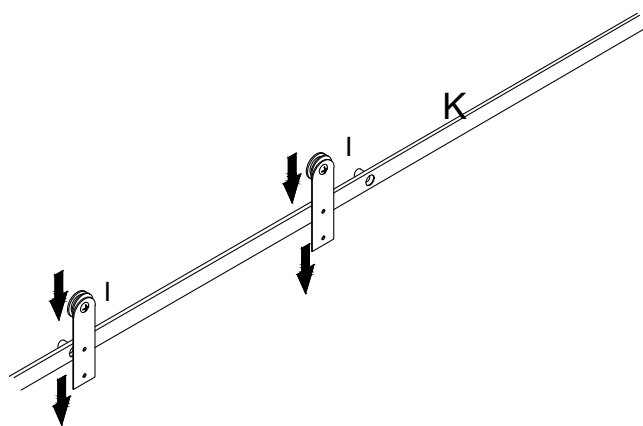
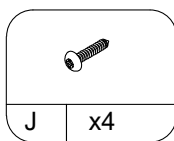
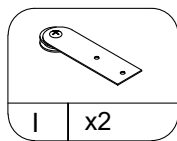
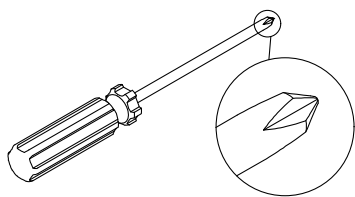
STEP 18



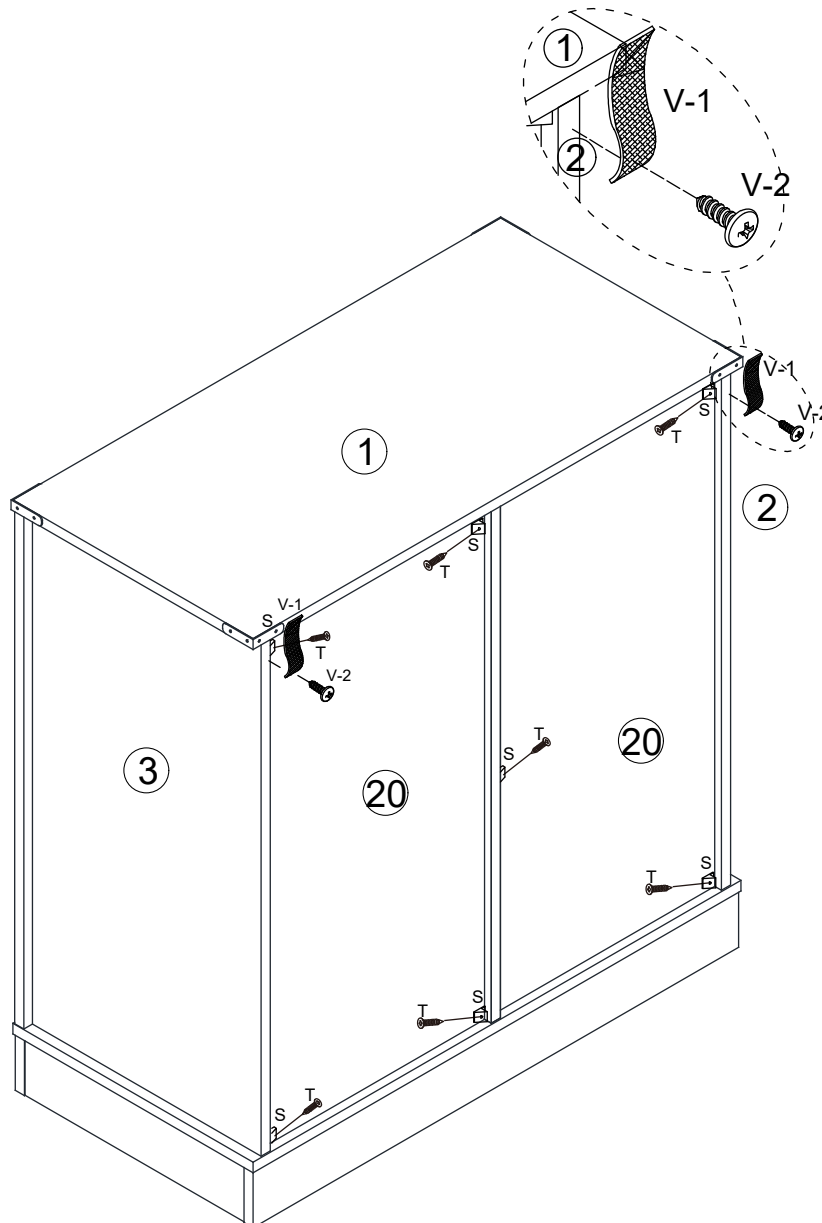
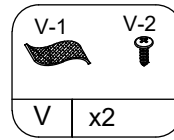
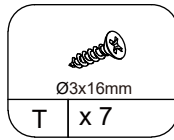
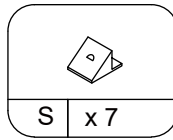
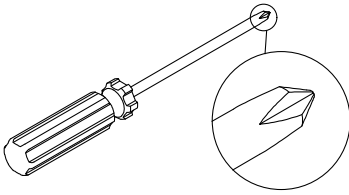
STEP 19



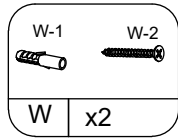
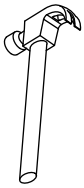
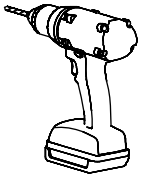
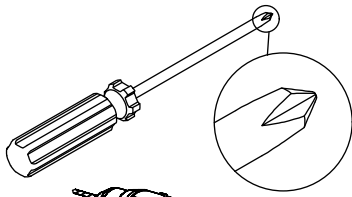
STEP 20



STEP 21



STEP 22



WALL

I x2

WALL +
drilling hole
Ø6x30mm

II x2

WALL

III x2

