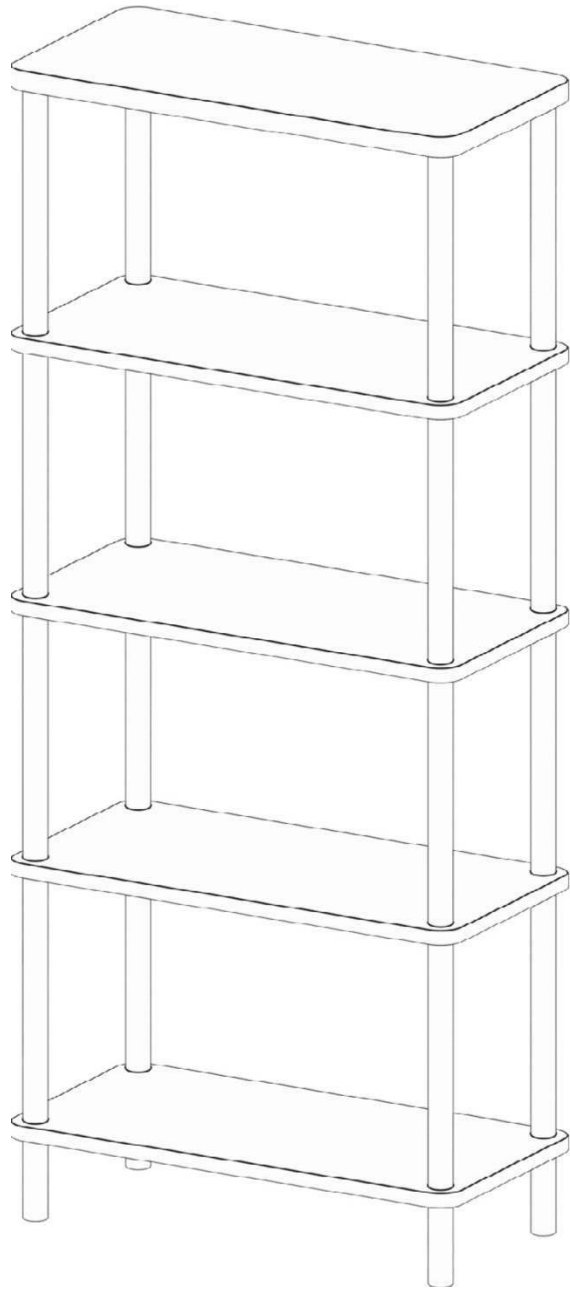


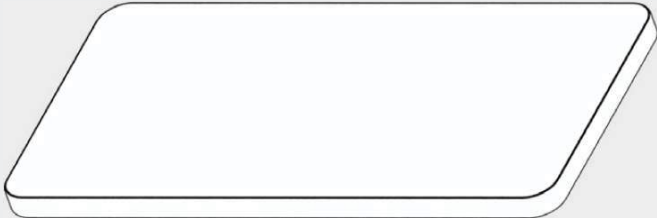




# 5 Shelf



In order for warranty conditions to be valid, please follow the instructions on the manual. For an easy and efficient assembly, we recommend placing all the parts on a flat surface and reading the manual carefully. Once placed, match all the parts with the instruction manual.

**Part List** ↘

Part No **1** Piece **x1**

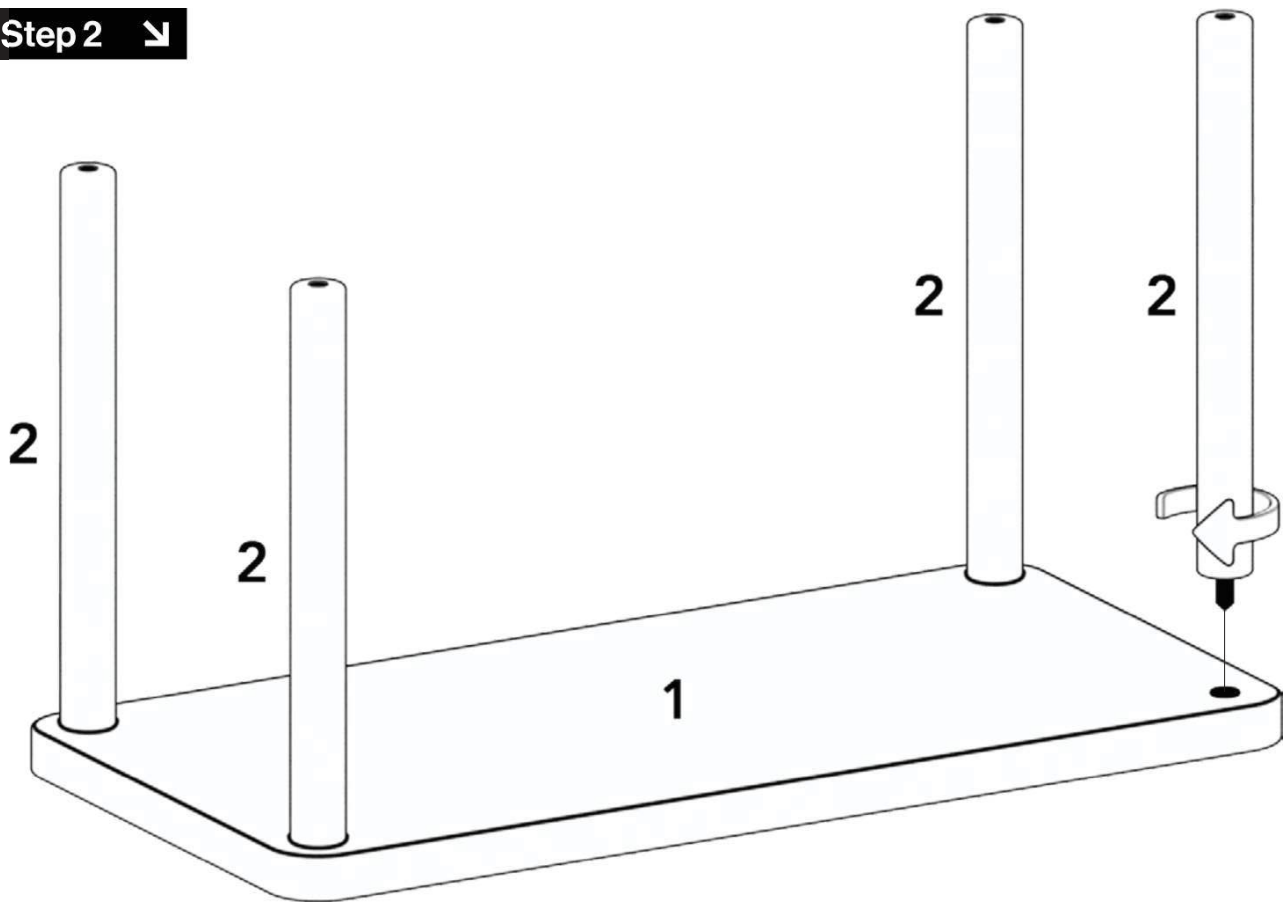
<b>1</b>  <b>x1</b>	<b>2</b>  <b>x4</b>
<b>3</b>  <b>x4</b>	<b>4</b>  <b>x12</b> <b>5</b>  <b>x4</b>

**Step 1** ↘

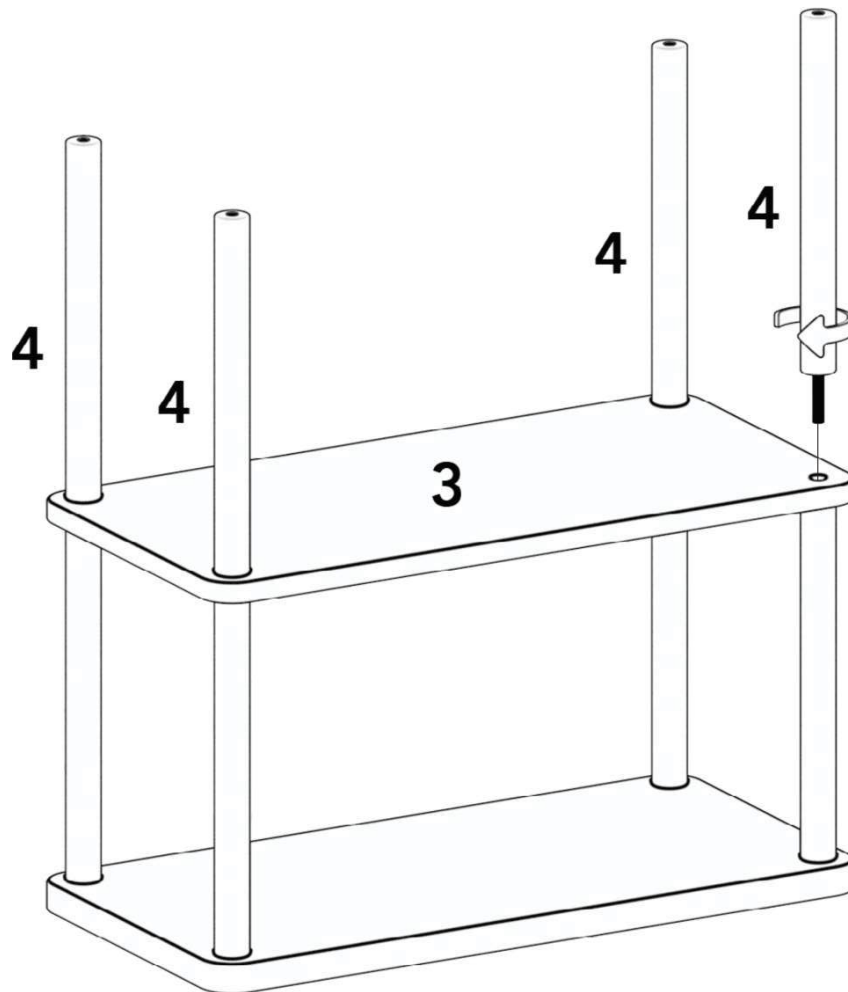
Remove the protective caps before assembly.



**Step 2** ↘



**Step 3** ↘



Step 4 ↘

