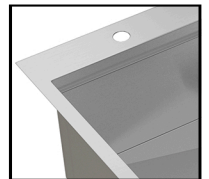


Model #DV-1K0190

Overall Dimension: 33" L x 22.24" W x 10" H

Features:

- This deep single basin effortlessly accommodates large pots, pans, and dishes, enhancing your kitchen's efficiency.
- Made of high quality stainless steel, this farmhouse kitchen sink is extremely durable, scratch-repellent, anti-corrosion and rust-proof, which ensures a long service life.
- The slightly sloped bottom and X-shaped water guidelines ensure excellent drainage, preventing water from pooling and keeping your sink clean and dry.
- Equipped with sound-dampening pads, this sink minimizes noise from washing and garbage disposal, while protecting your cabinet from condensation.
- Includes a sink drain assembly, cutting board, and dish drying grid. The standard 3.5" drain opening fits most common garbage disposal systems. Easy to clean and install.



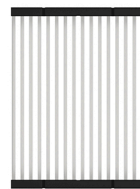
Package Included:



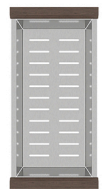
● Farmhouse Kitchen Sink
(DV-1K0190)



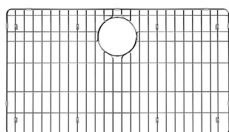
● Cutting Board
(DV-K0189B09)



● Roll Up Drying Rack
(DV-K0189R09)



● Colander
(DV-K0189D101)



● Sink Grid
(DV-K0190G31)



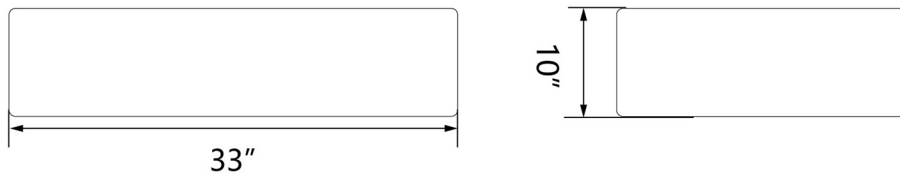
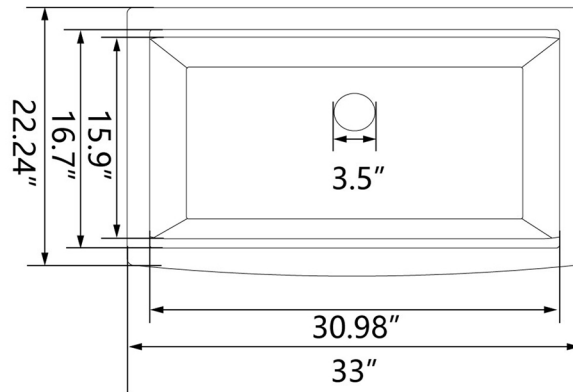
● Basket Strainer
(DV-1D905)



● Installation Kit
(DV-K0189P41)

Technical Specifications:

- + Outer: 33" L x 22.24" W x 10" H
- + Inner: 30.98" L x 16.7" W x 10" H
- + Weight: 27.28 lbs
- + Drain: 3.5" diameter
- + Faucet Holes: 1.38" diameter
- + Minimum Cabinet Size: 33"



#DV-1K0190

Sinks are manually measured, so sizes may vary slightly.

1 Year Warranty

All DeerValley kitchen sinks come with our warranty within one year.

