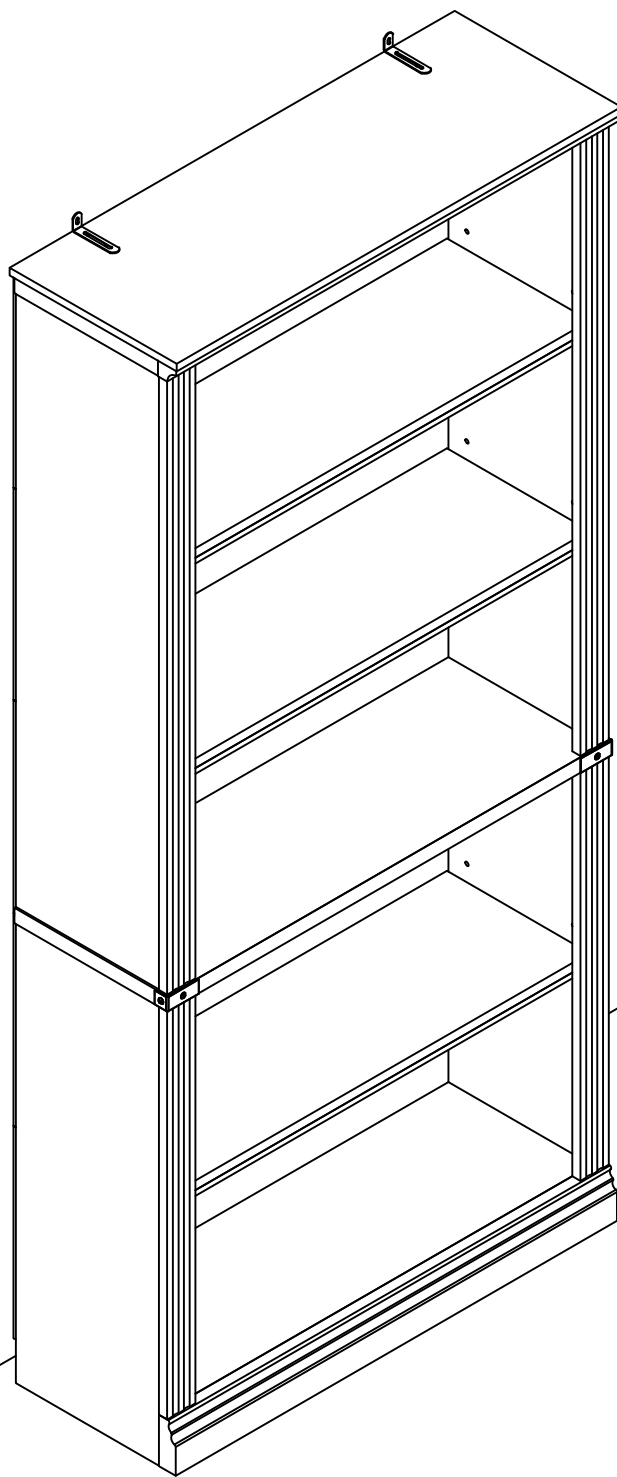
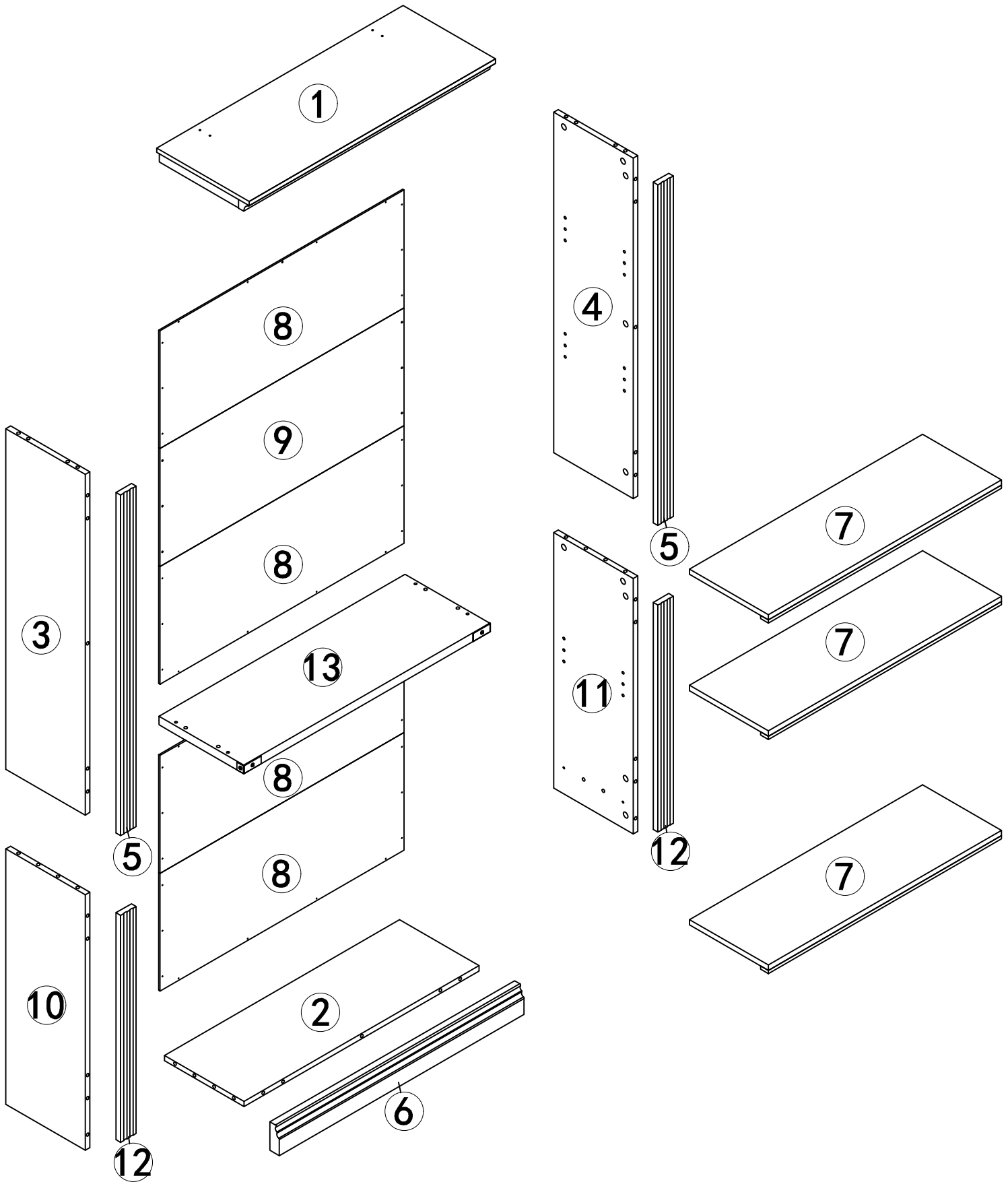





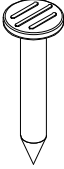
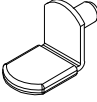

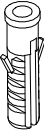
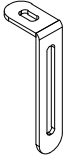
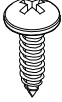
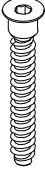
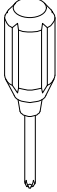

Assembly Instructions



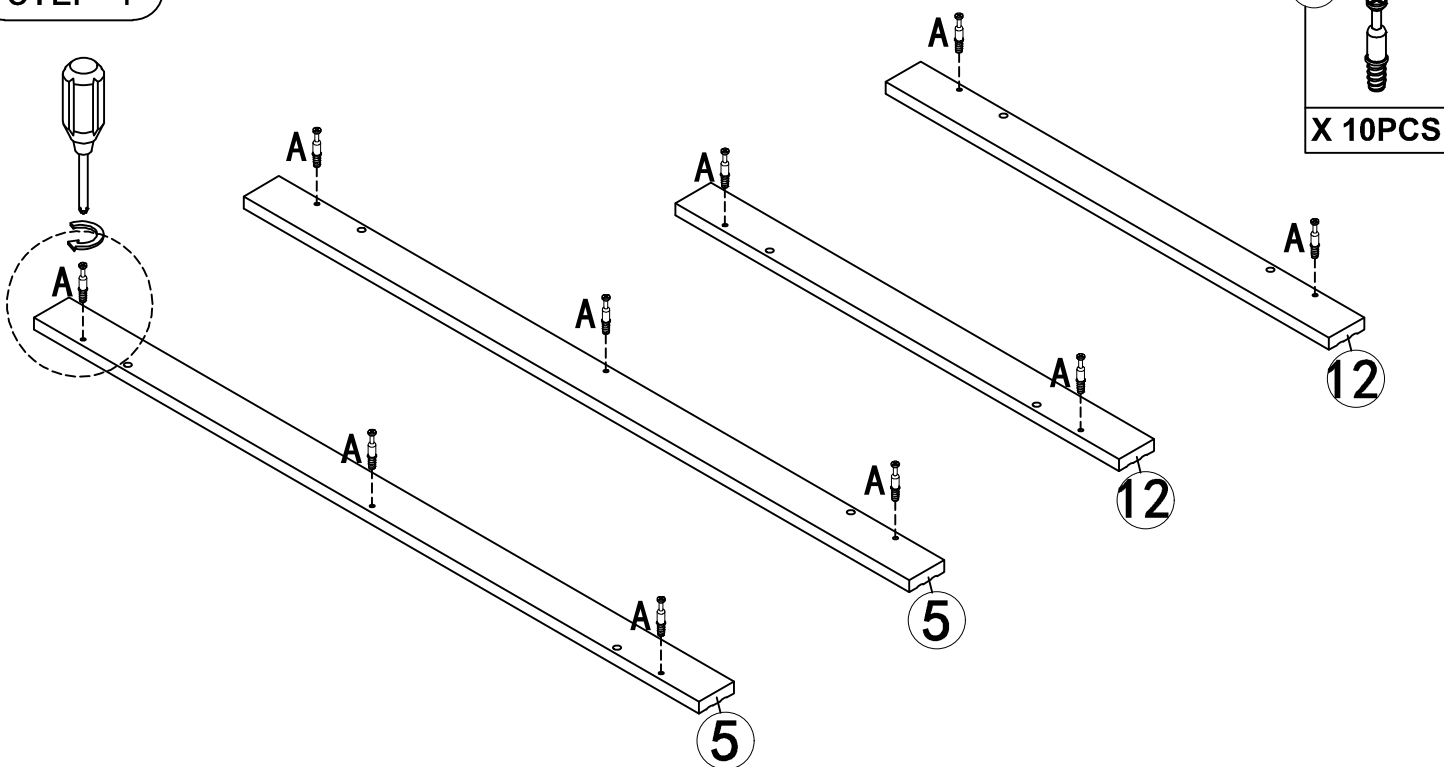
PART LIST



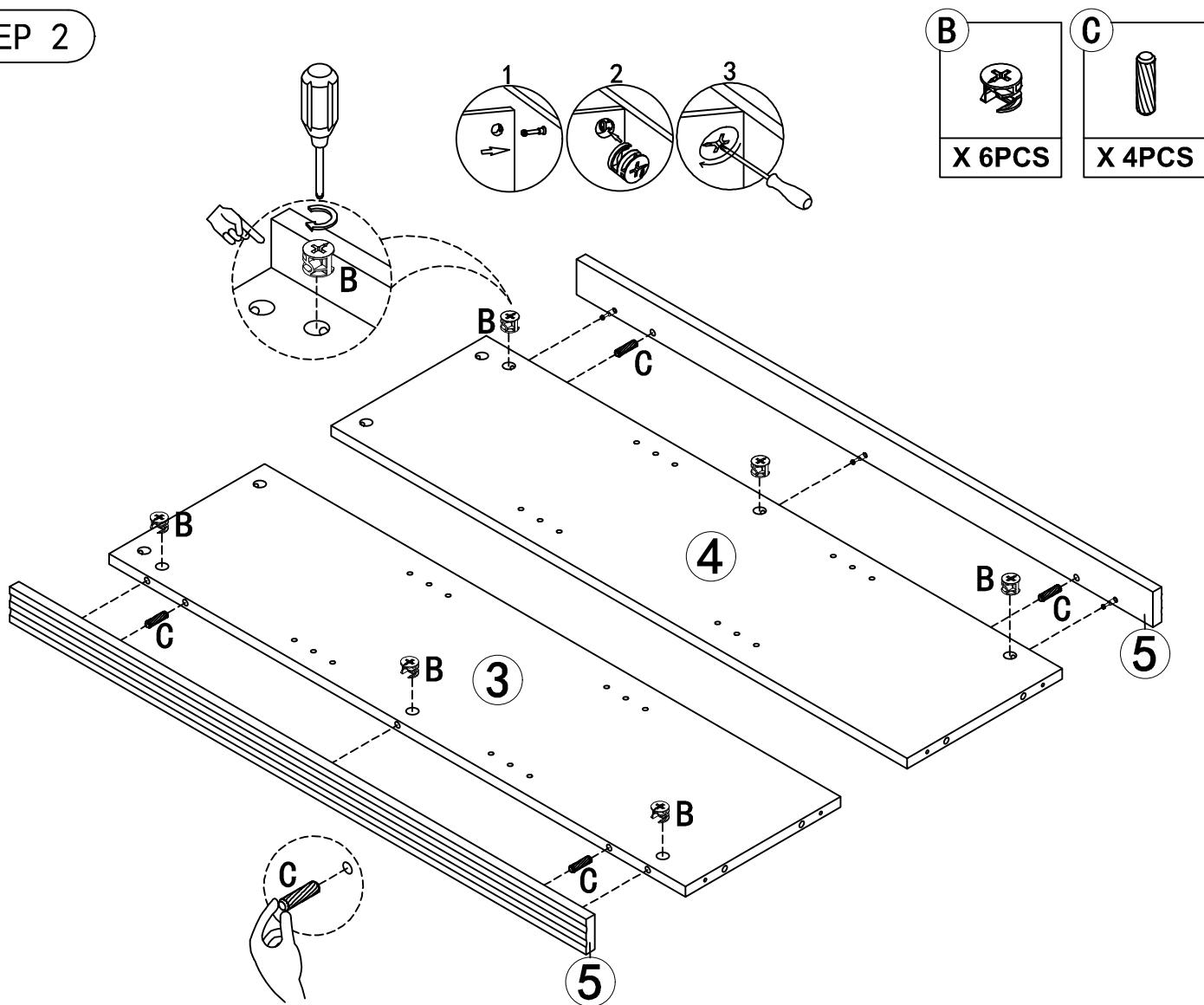
HARDWARE LIST

A  Ø6x35mm (27+2)PCS	B  Ø15x9.5mm (27+2)PCS	C  Ø8x30mm (26+2)PCS
D  Ø1.5x20mm (46+4)PCS	E  12PCS	F  Ø4x38mm 2PCS
G  2PCS	H  2PCS	I  Ø3.5x14mm 4PCS
J  Ø5x40mm 4PCS	 1PC	 1PC

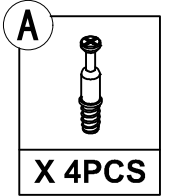
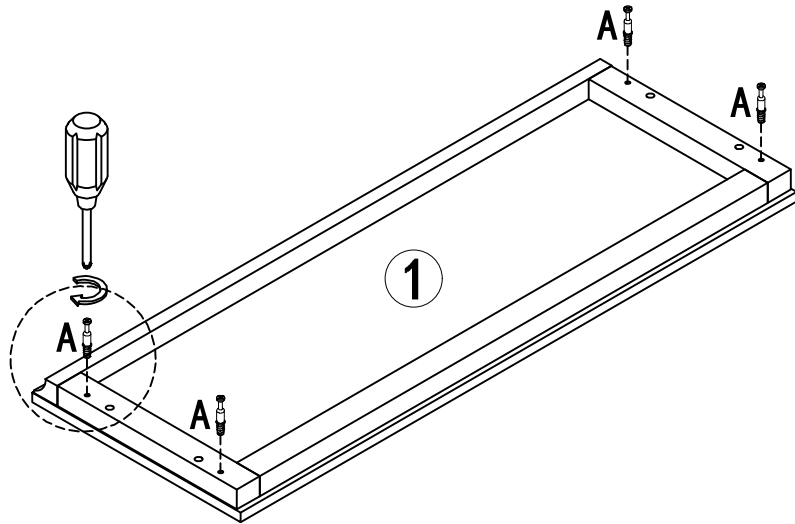
STEP 1



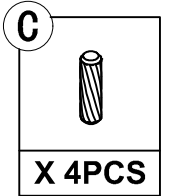
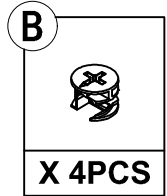
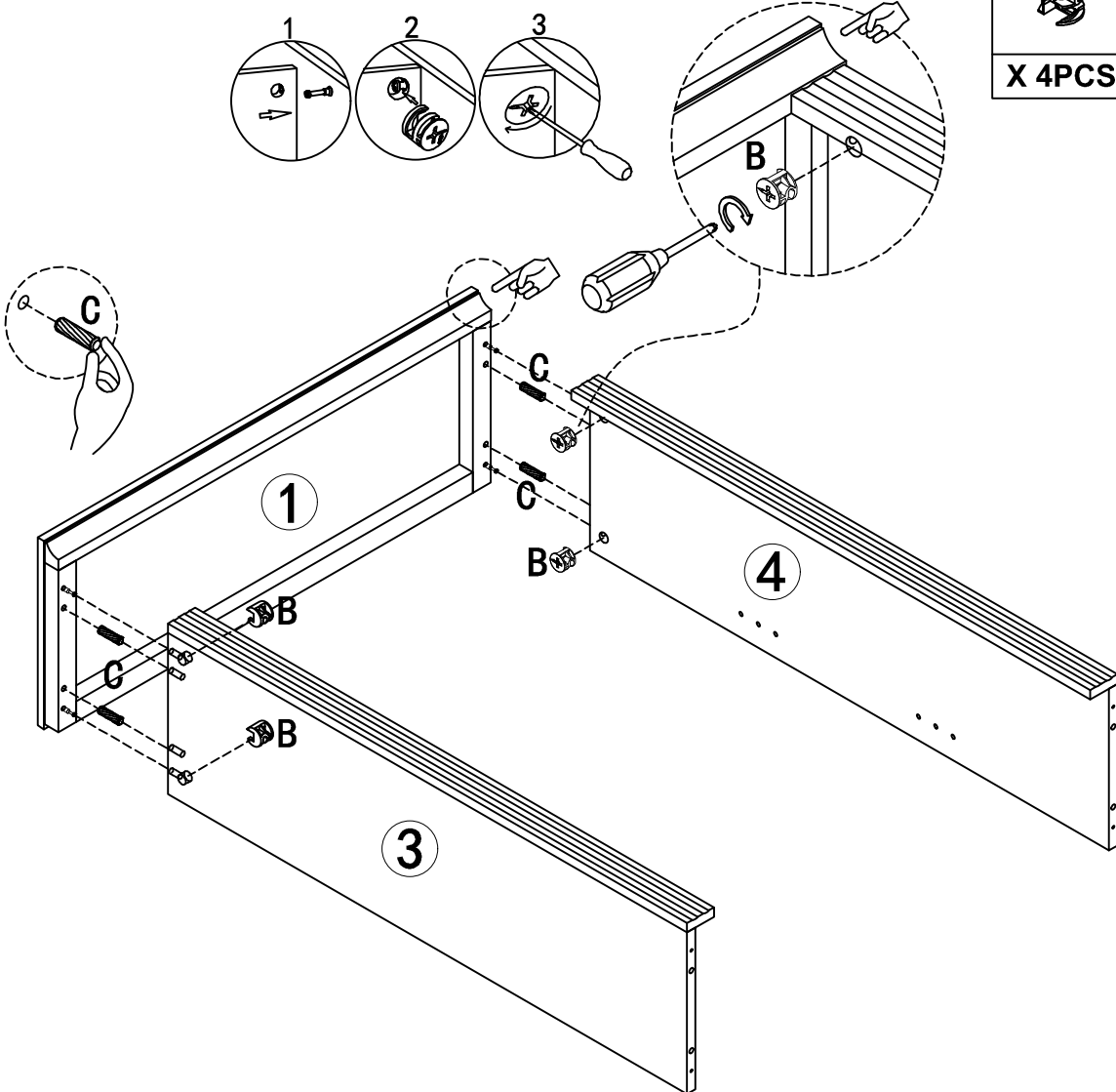
STEP 2



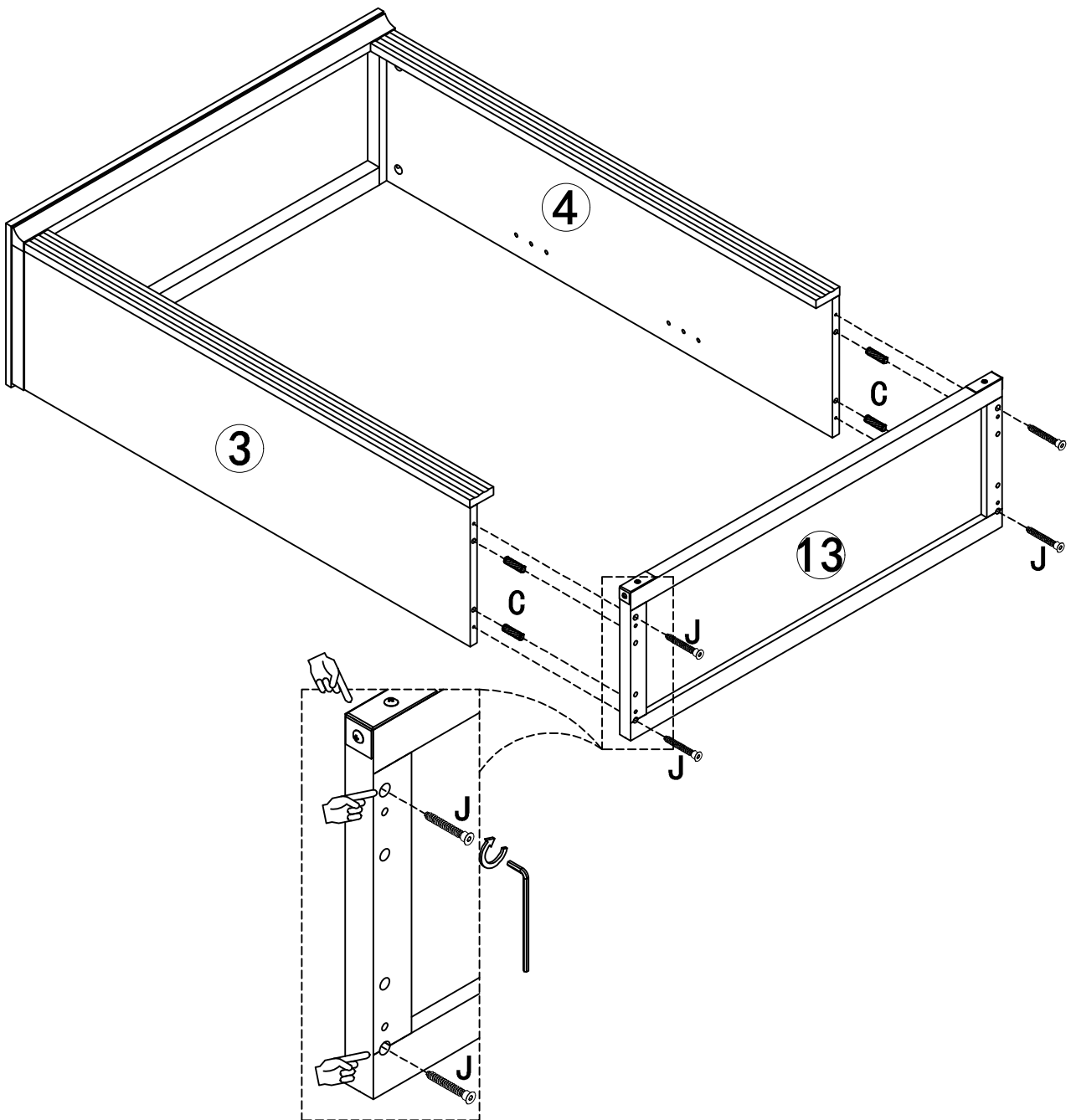
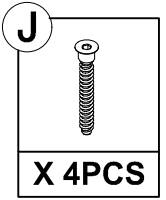
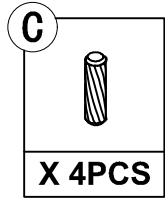
STEP 3



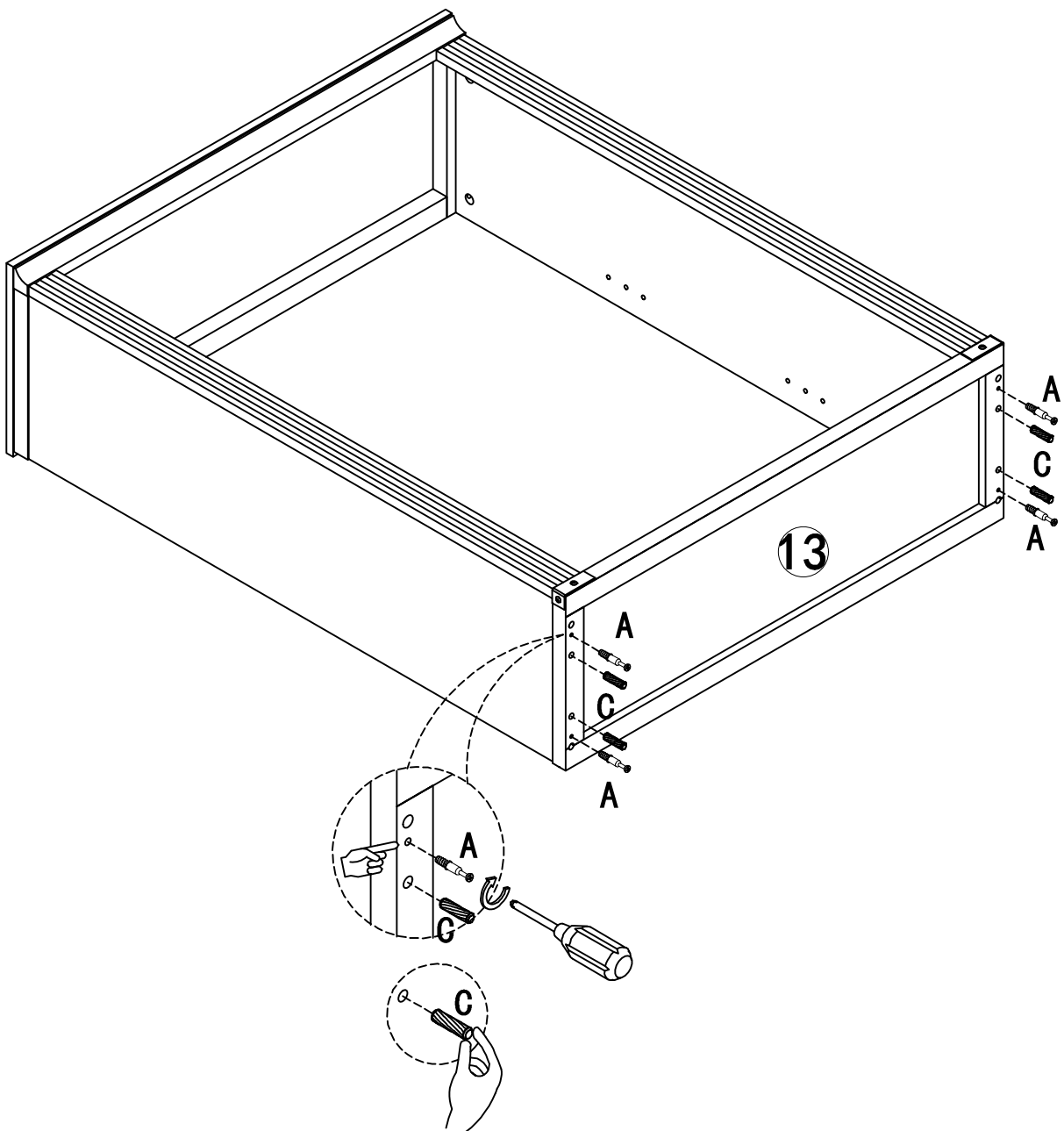
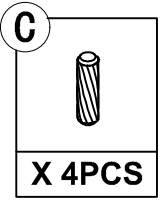
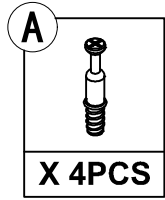
STEP 4



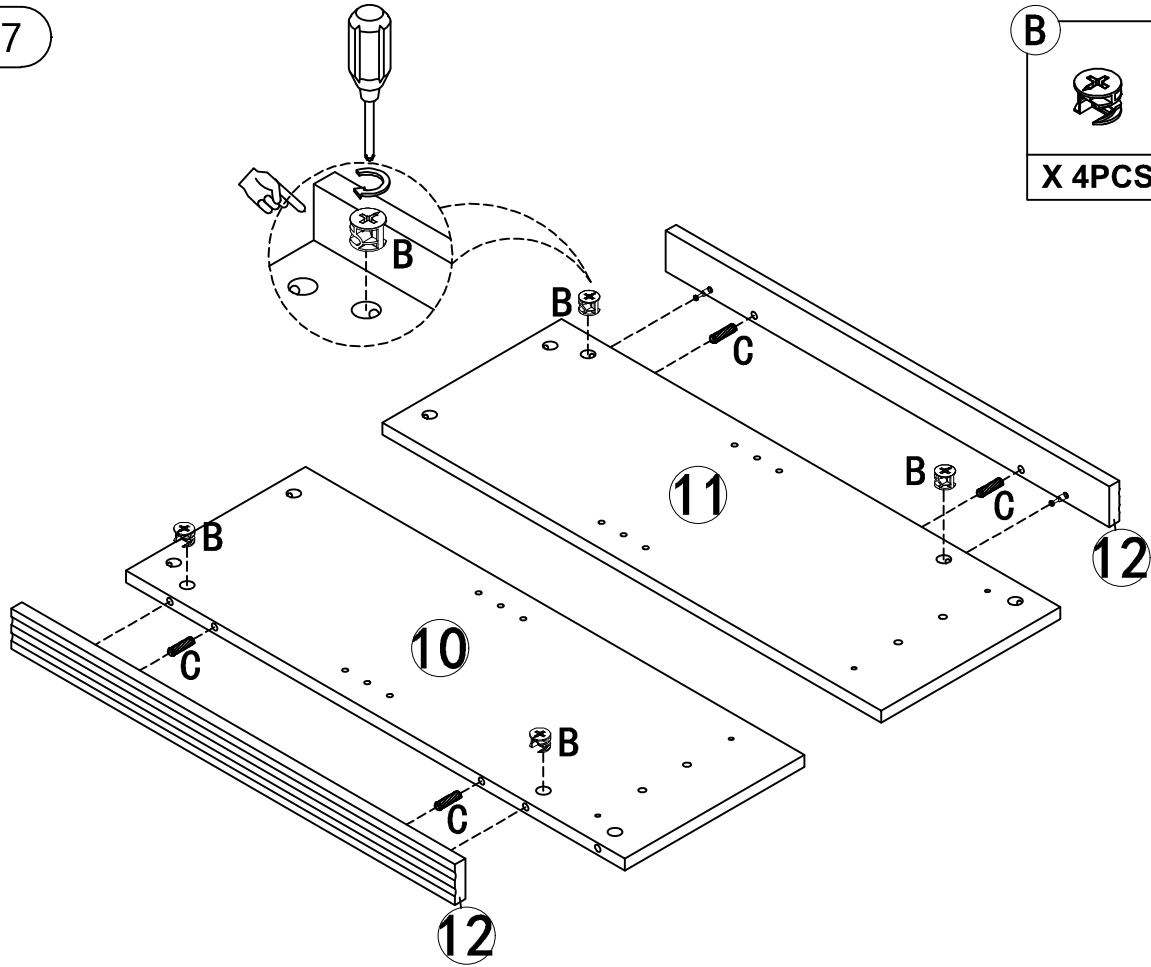
STEP 5



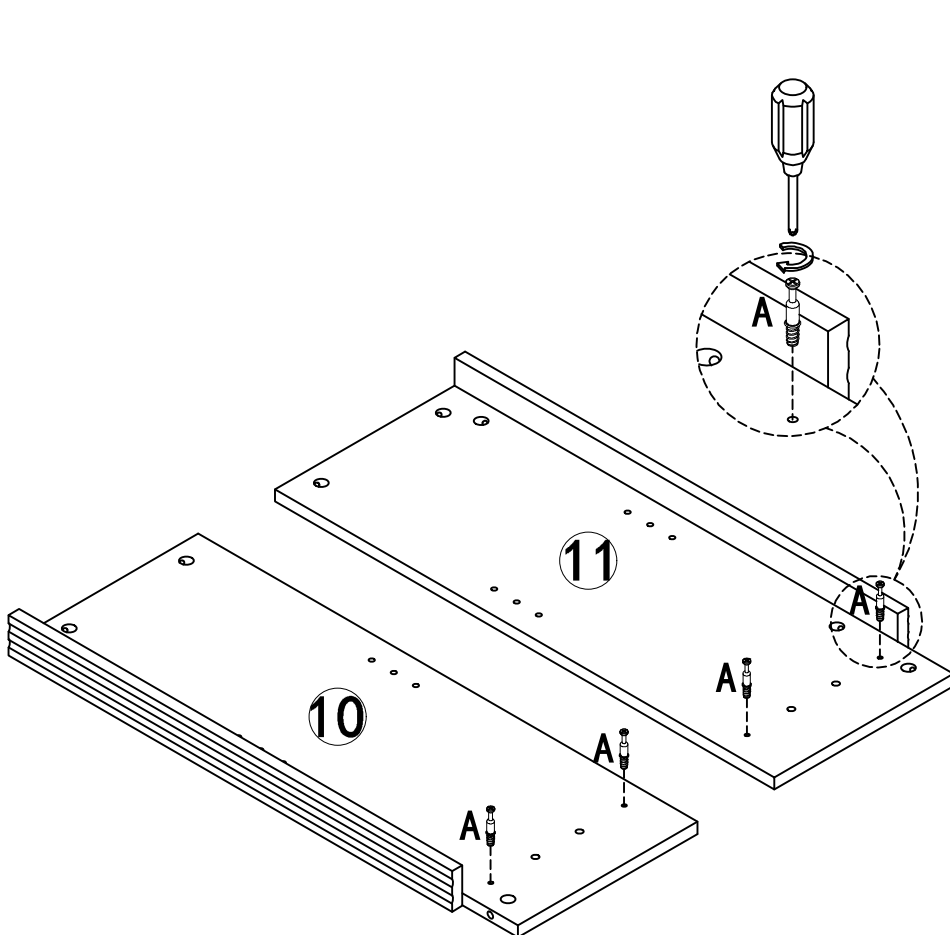
STEP 6





STEP 7

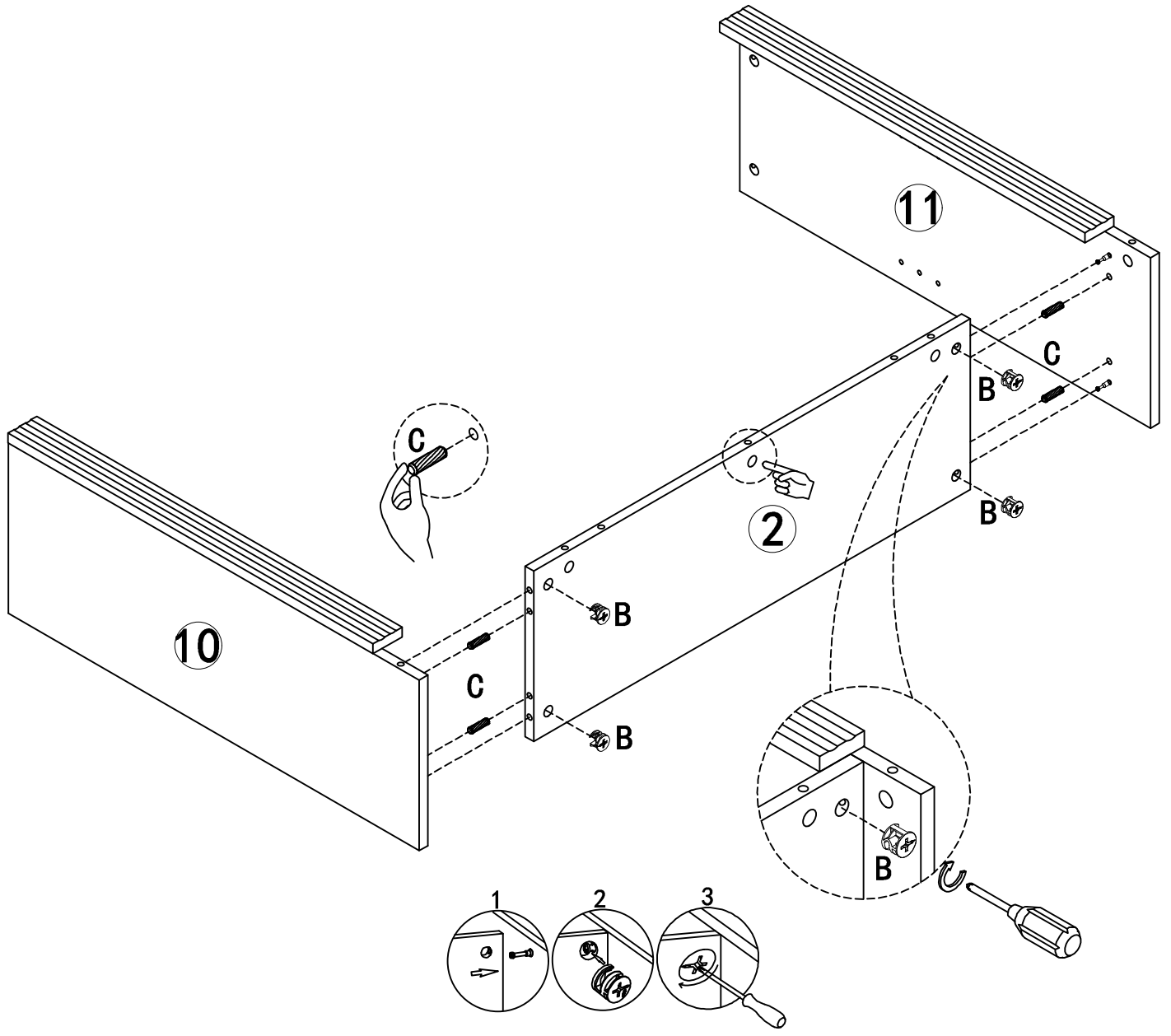


STEP 8

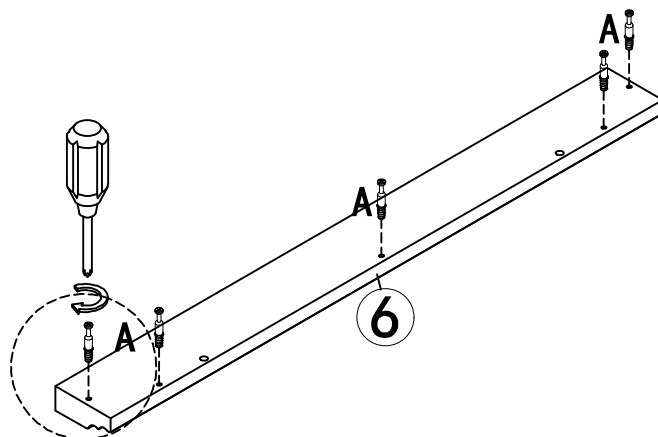
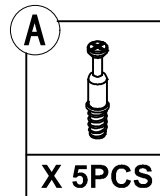


STEP 9

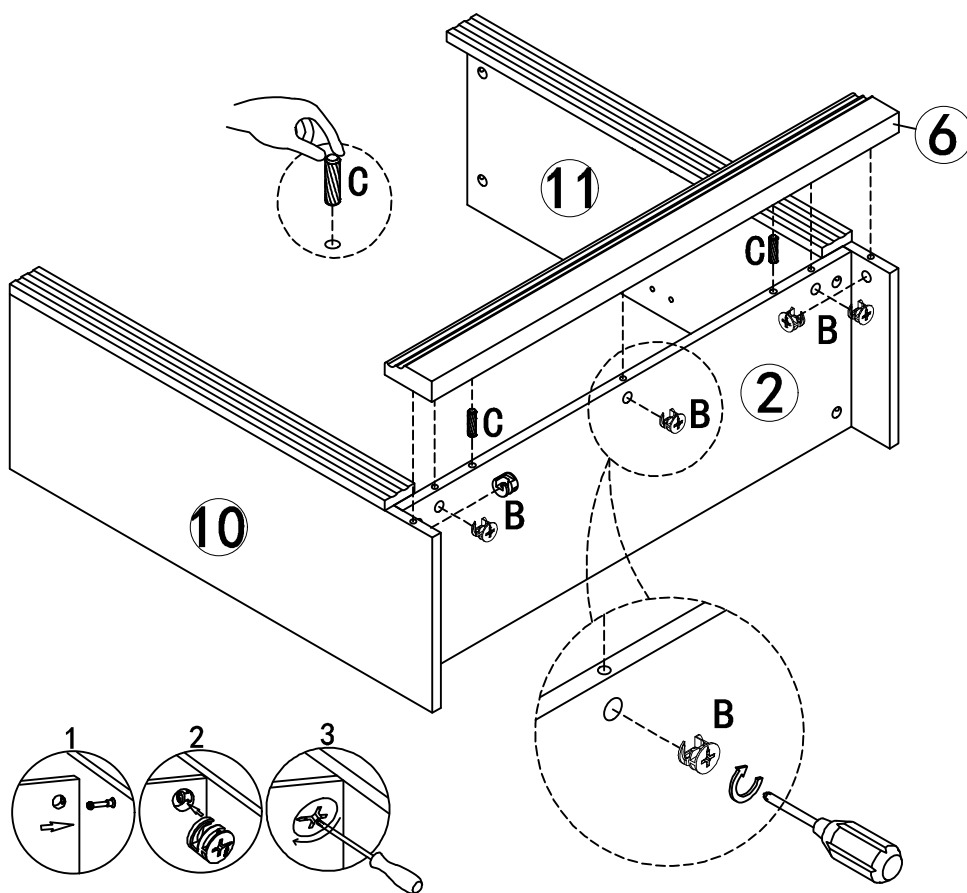
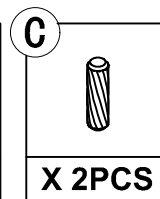
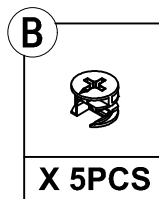
B 	C 
X 4PCS	X 4PCS



STEP 10




STEP 11

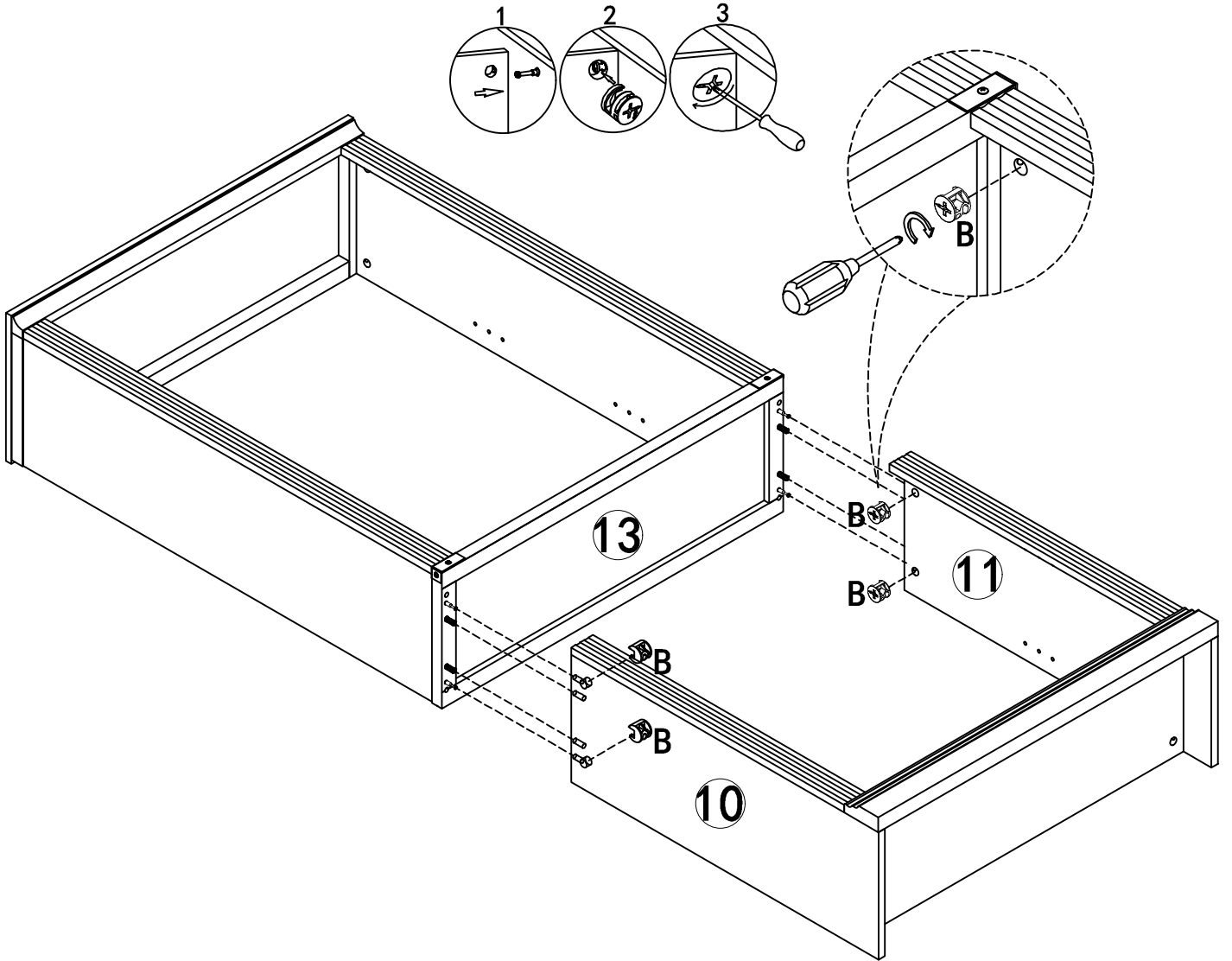


STEP 12

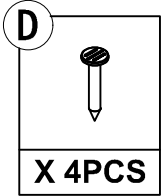
B



X 4PCS

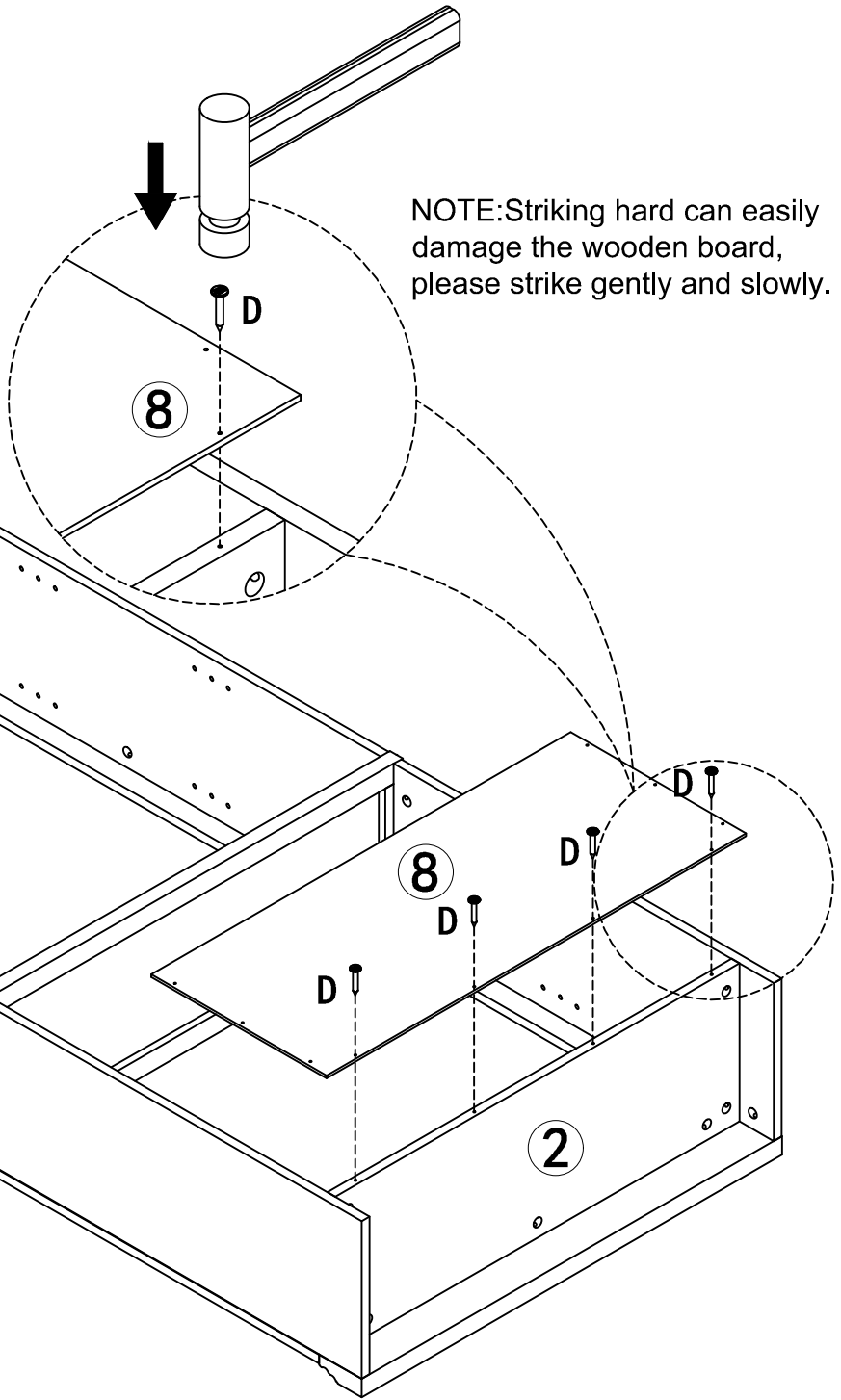


STEP 13



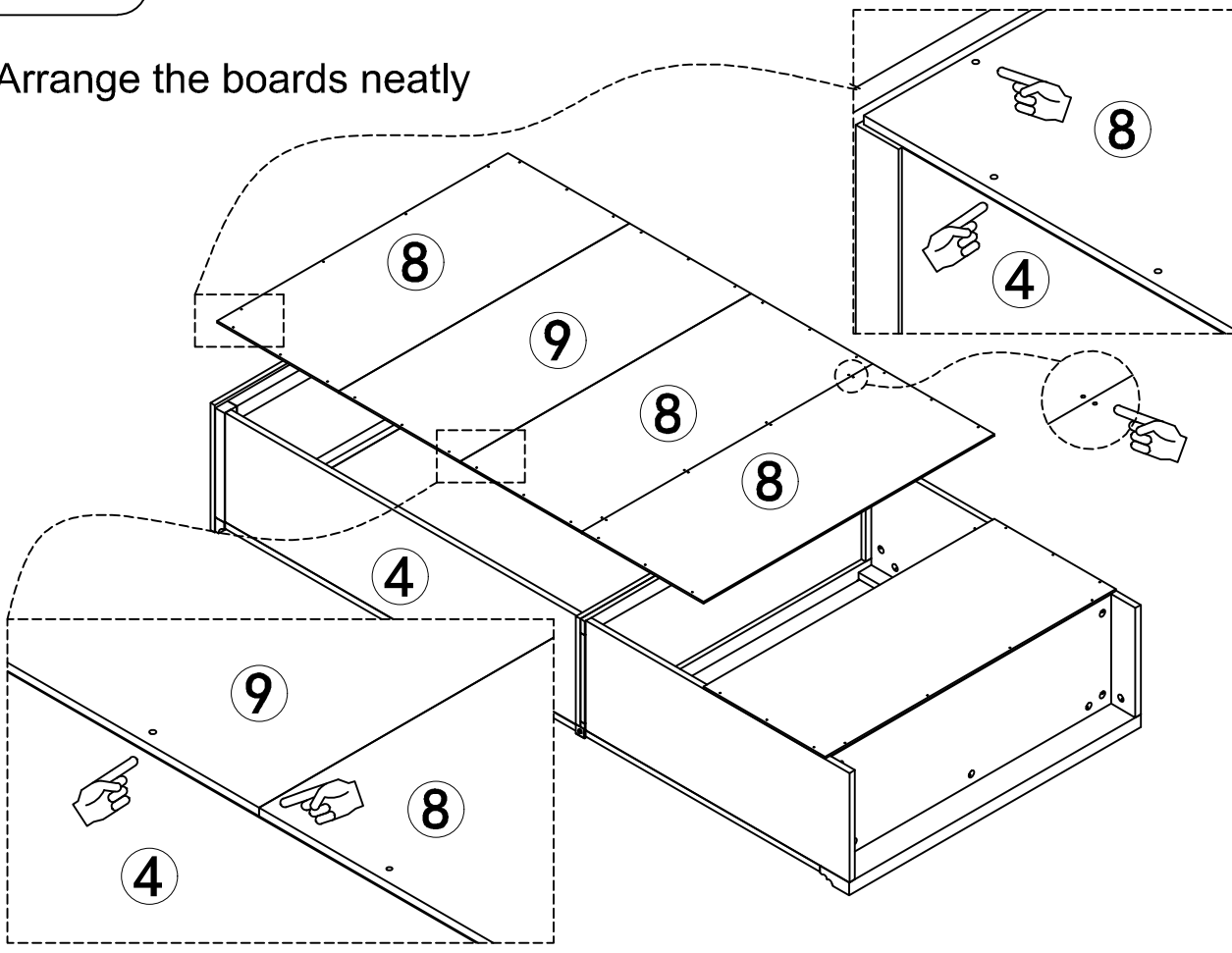
NOTE: The bookshelf is not stable enough at this time, please be careful when flipping it over.

Drive the fixed nails into the holes on the board

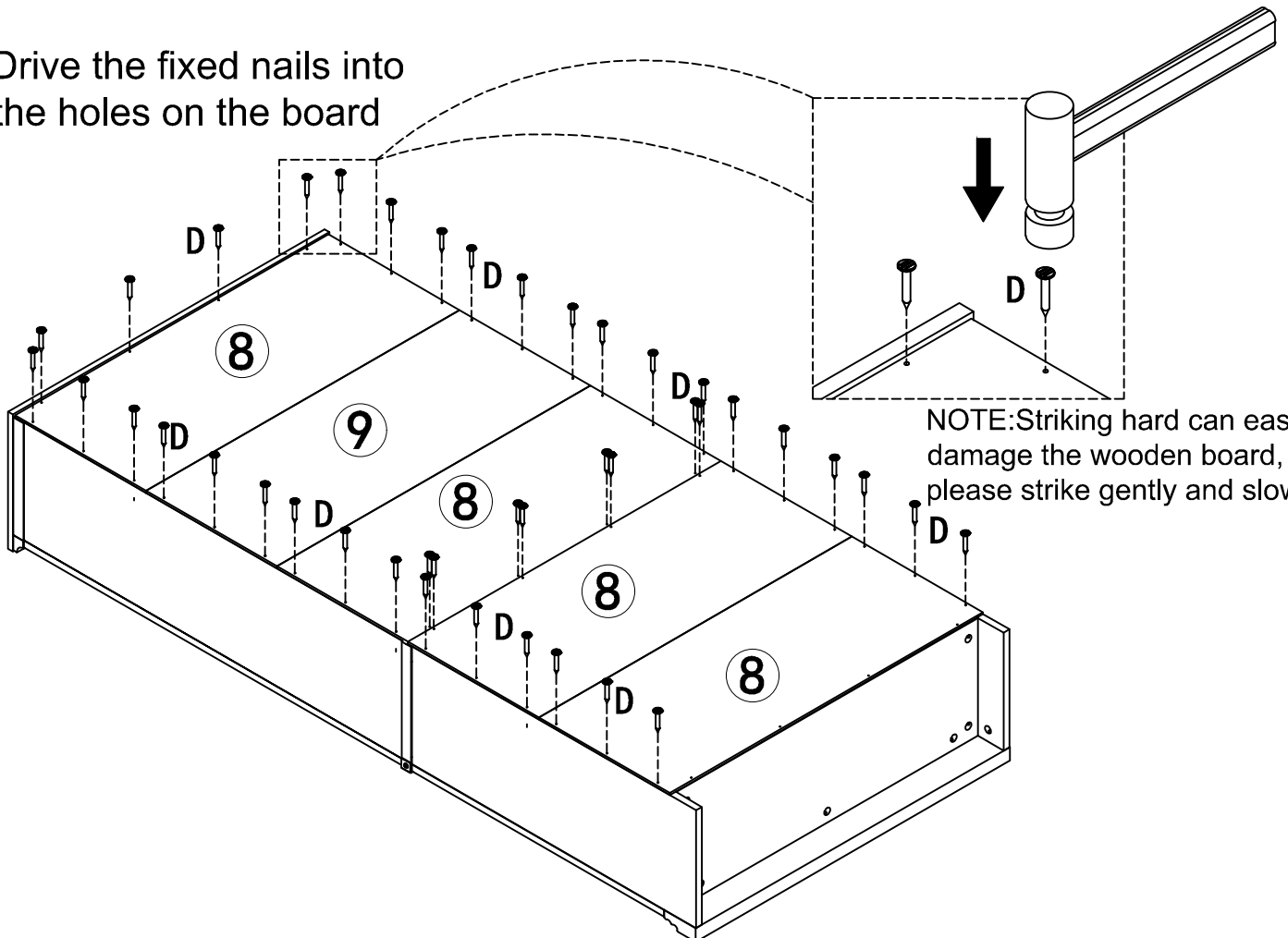


STEP 14

Arrange the boards neatly

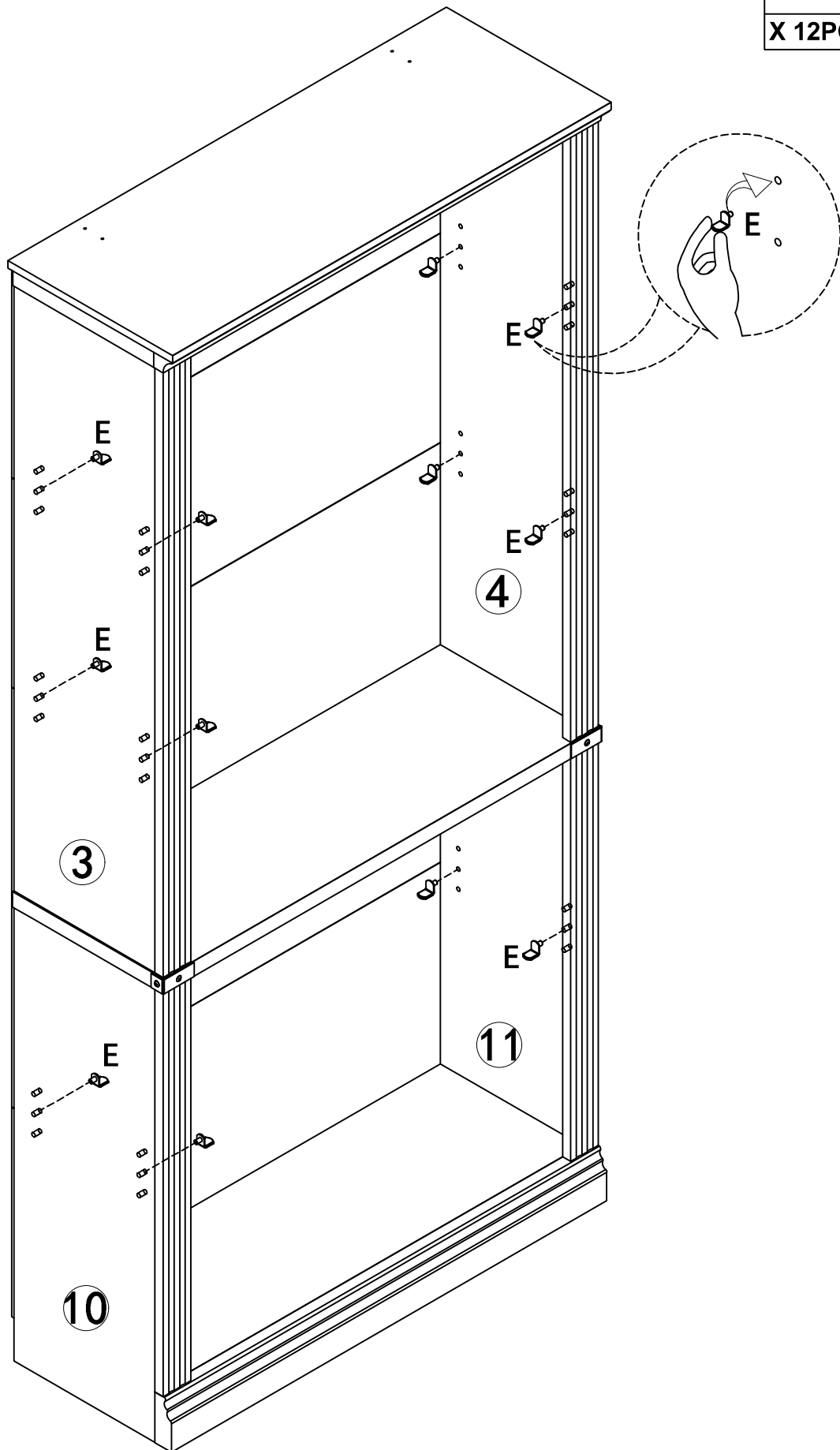


Drive the fixed nails into the holes on the board

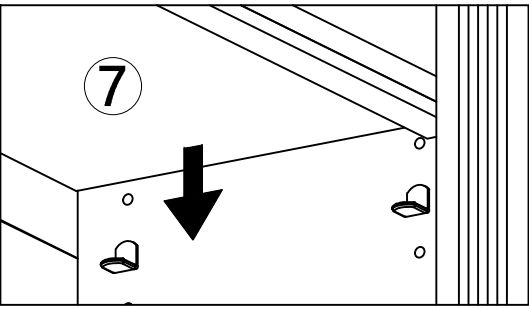
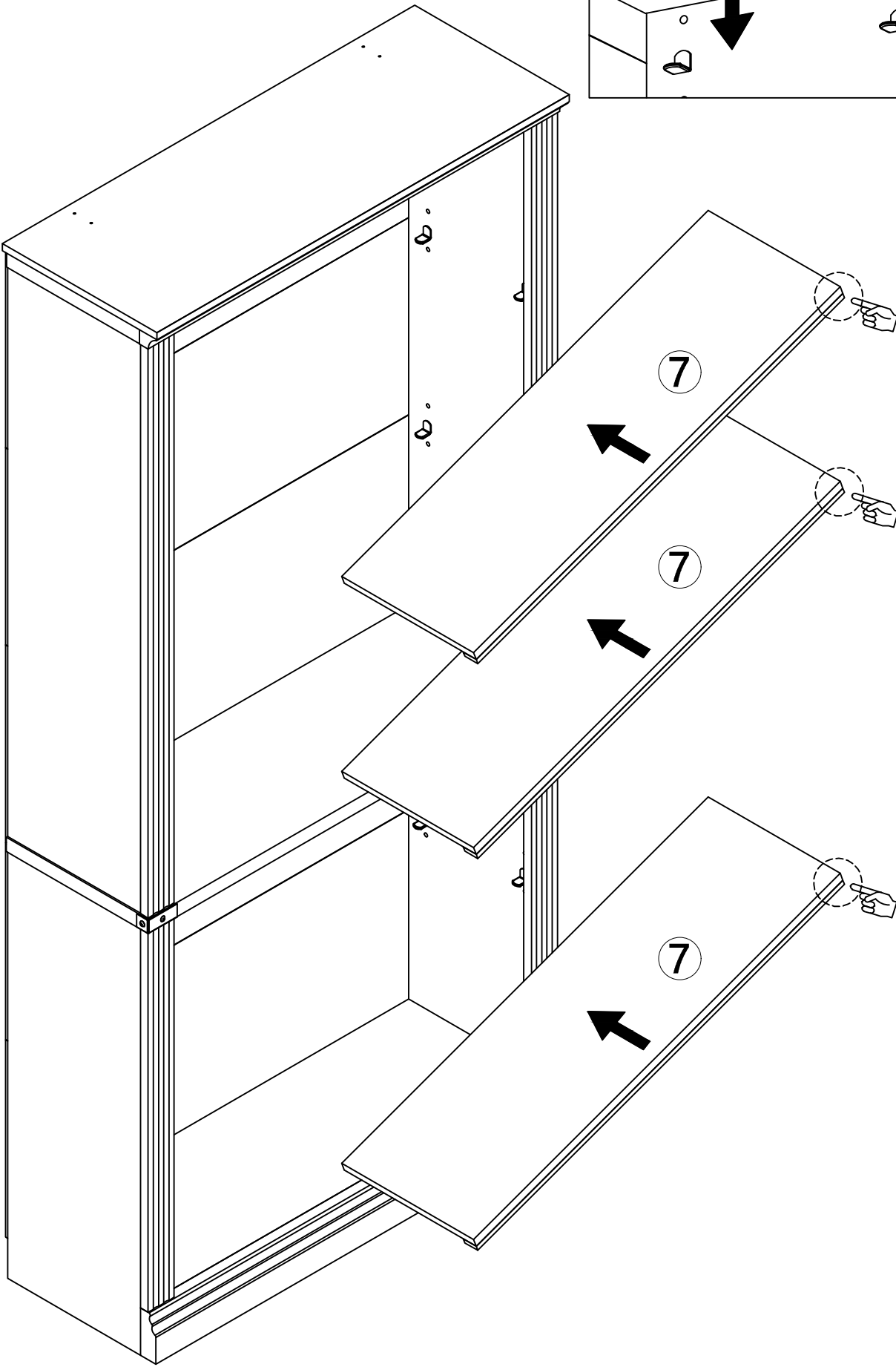


STEP 15

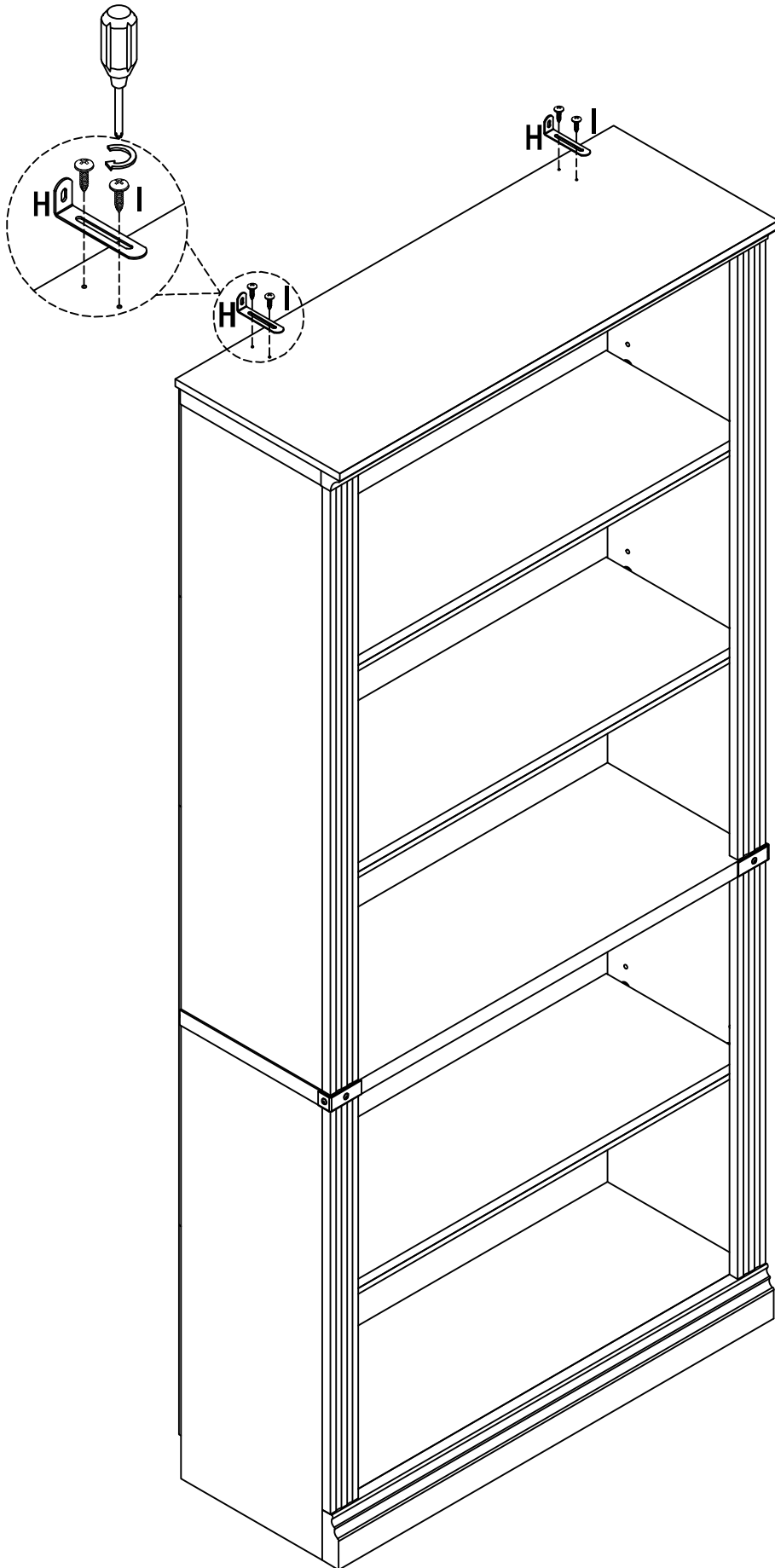
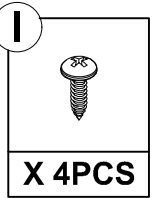
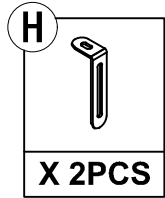
E
X 12PCS



STEP 16



STEP 17



STEP 18

