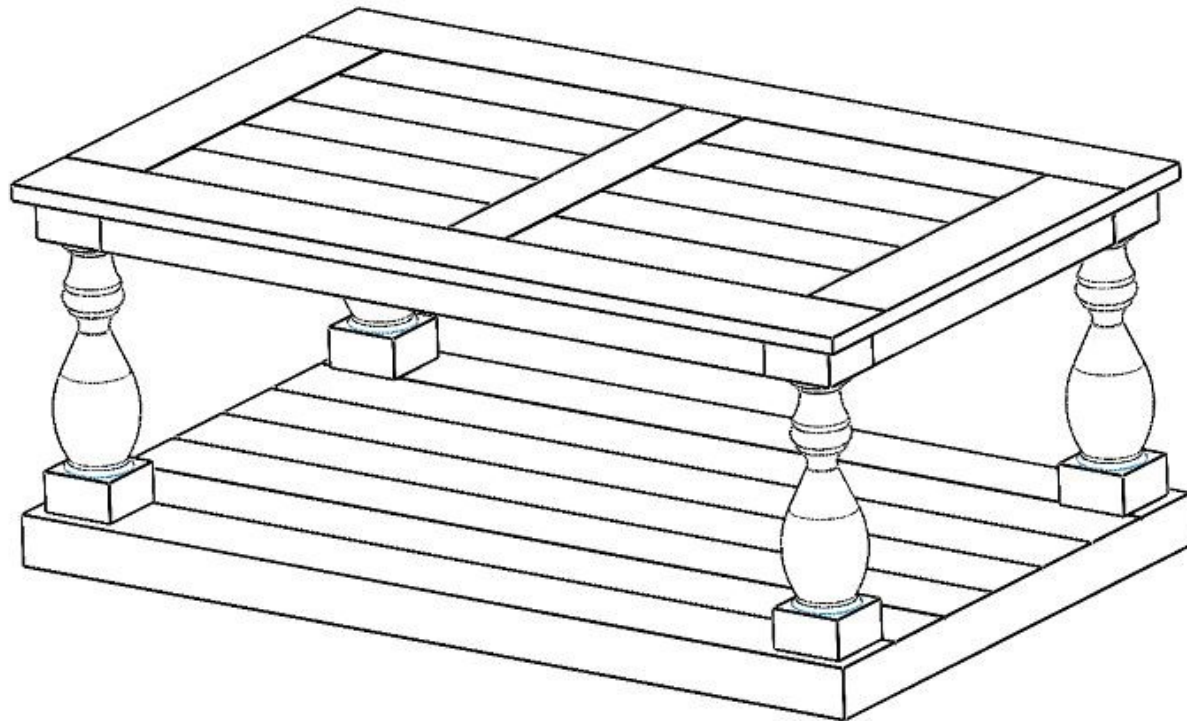
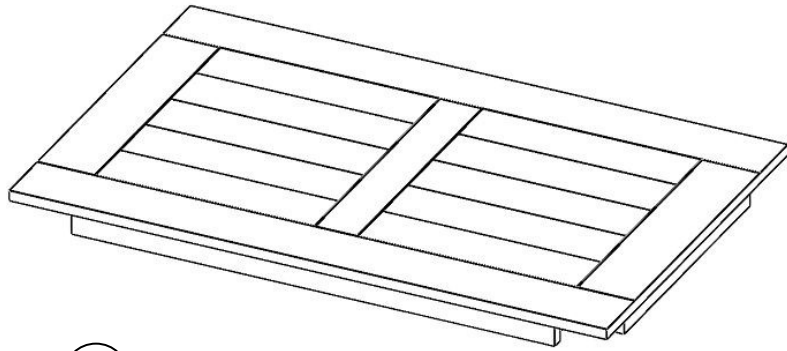


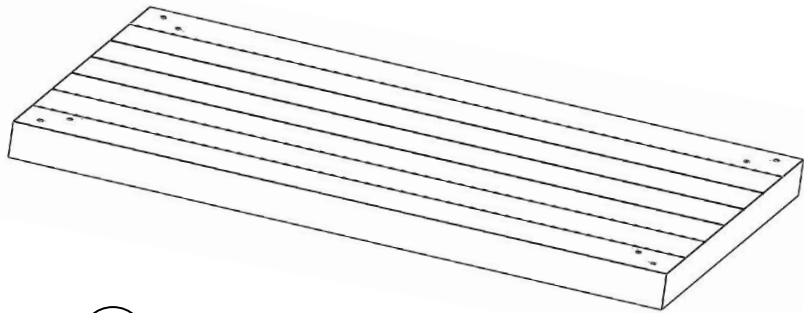
ASSEMBLY INSTRUCTION



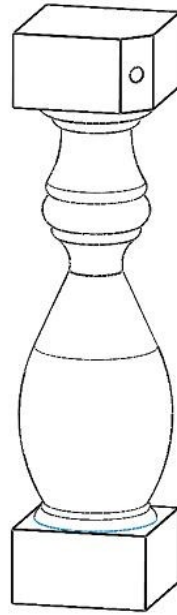
PART LIST



- ① Top component
Q.Ty: 1pc



- ② Bottom component
Q.ty: 1pc

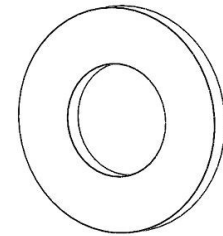


- ③ Legs
Q.ty: 4pcs

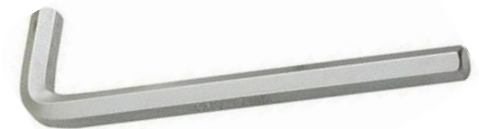
HARDWARE LIST



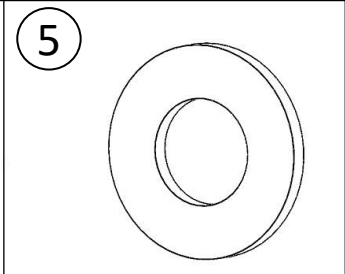
- ④ 6x50mm
Q.ty: 12pcs



- ⑤ 6x20mm
Q.ty: 12pcs



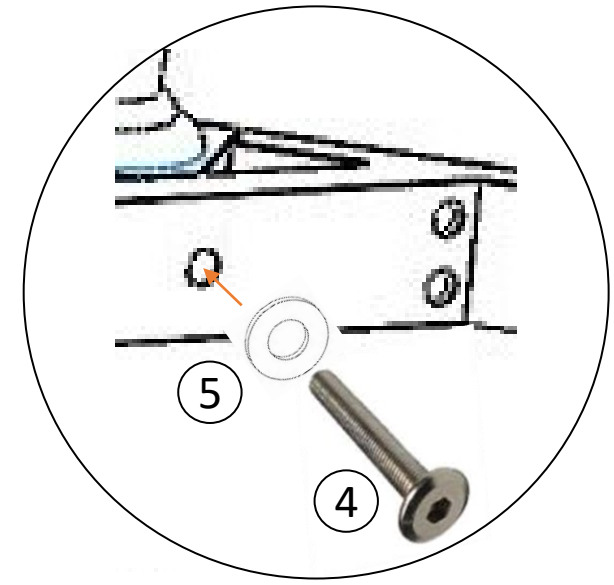
- ⑥ Allen Key
Q.ty: 1pc



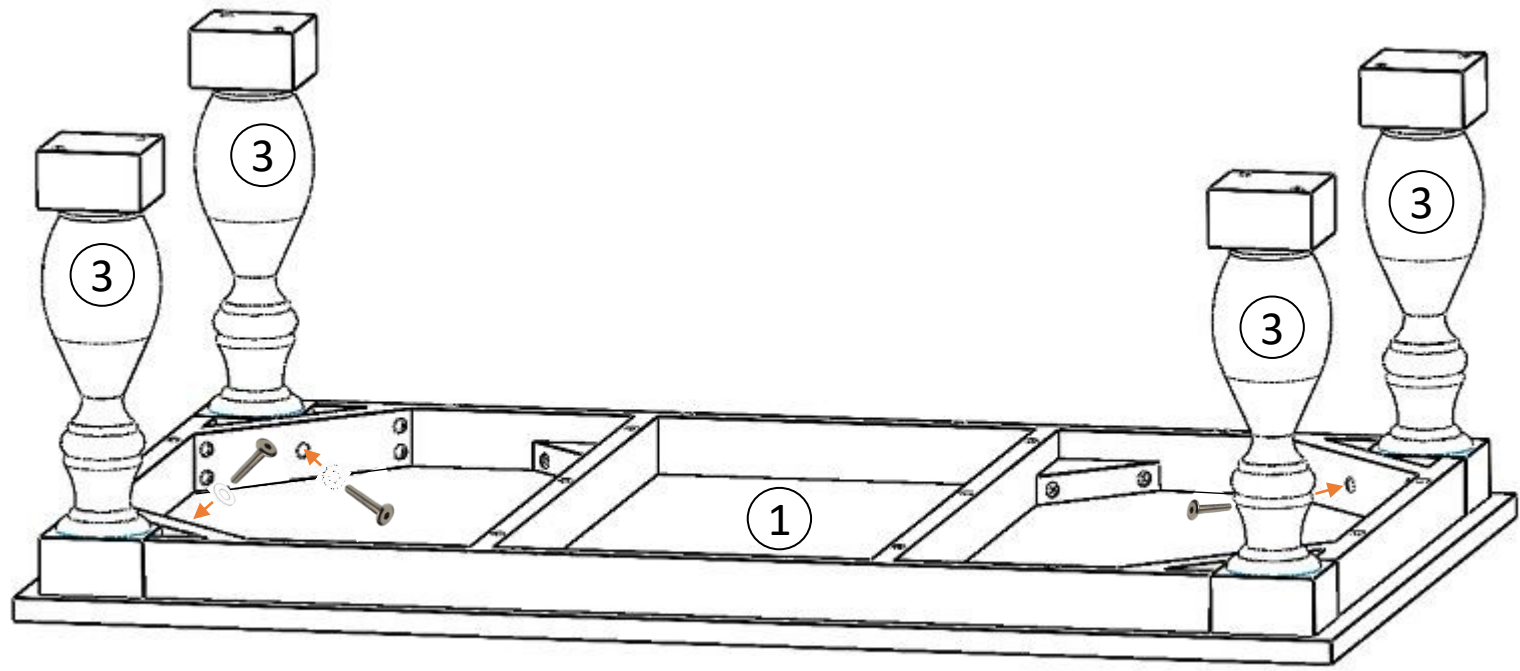
4pcs

4pcs

STEP 1



DETAIL X



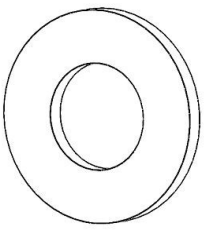
Type your text

4



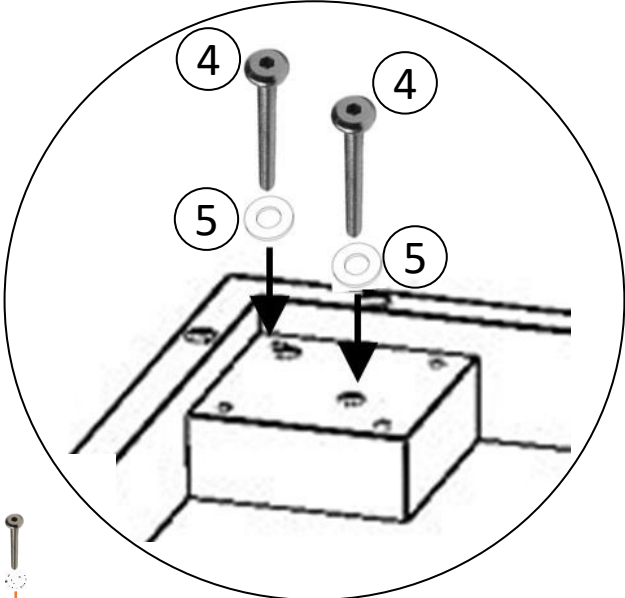
8pcs

5



8pcs

STEP 2



DETAIL Y

