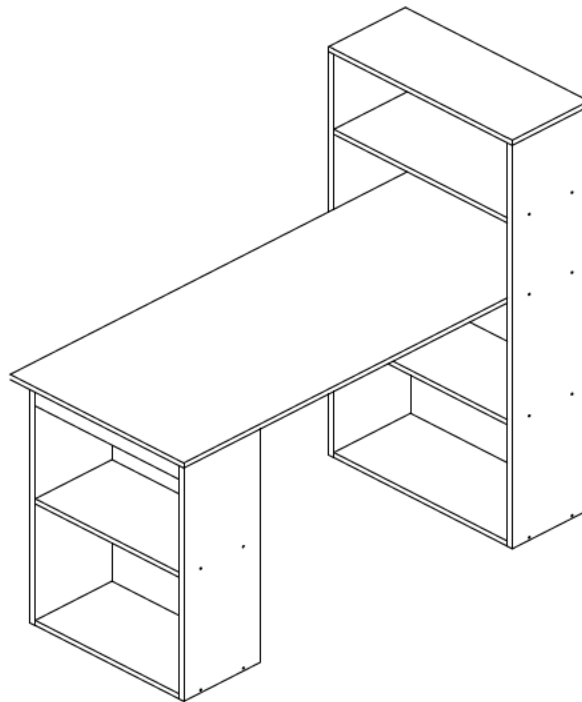


Assembly Instructions



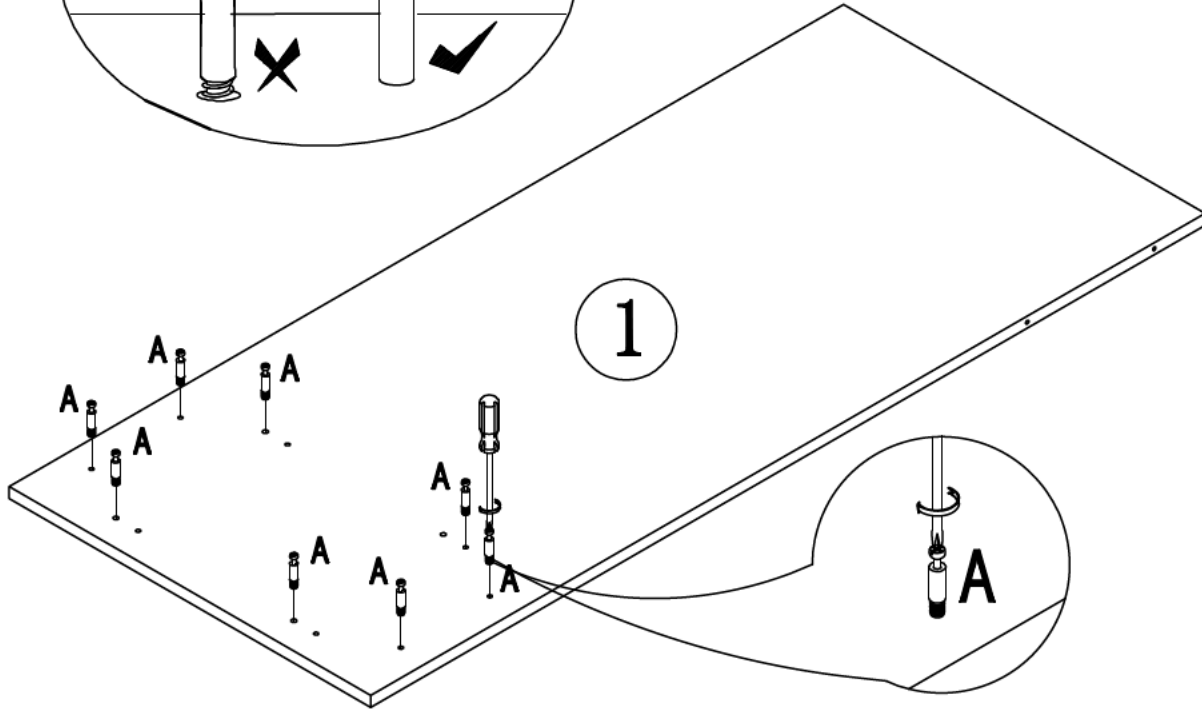
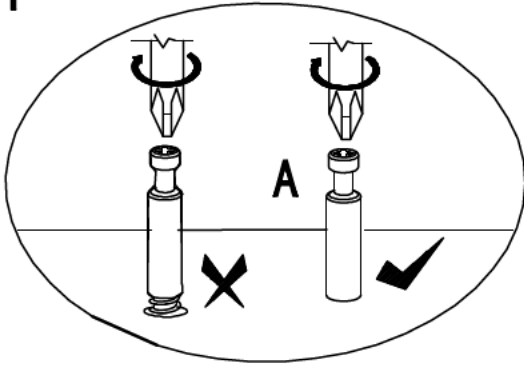
Special Warnings:

- * Please check that all parts are present before you start the assembly.
- * For the protection of your furniture, place all parts on a clean and smooth surface to prevent any damage.
- * For cleaning, wipe the surface with a damp (not wet) cloth or wipe dry with a clean lint free cotton cloth. Window cleaning liquid or a similar cleaning liquid can be used to clean the surface.
- * This unit is heavy. Please use an assistant when lifting. Never drag or push the pieces across the floor as this will cause damage to the joints.
- * Keep your furniture out of direct sunlight.

STEP 1

HARDWARE LIST

A  M6 8PCS

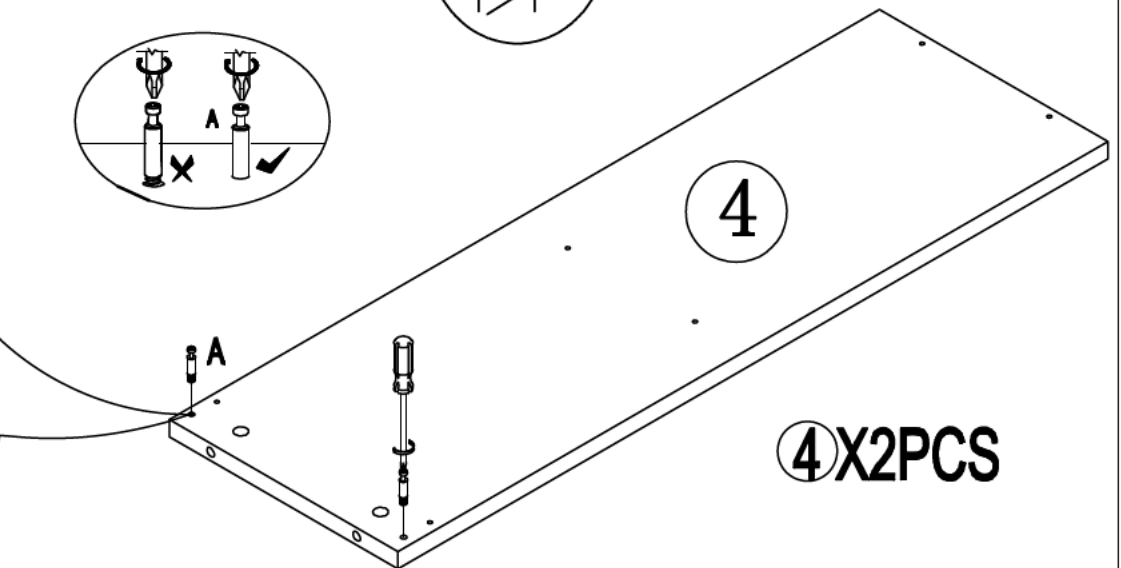
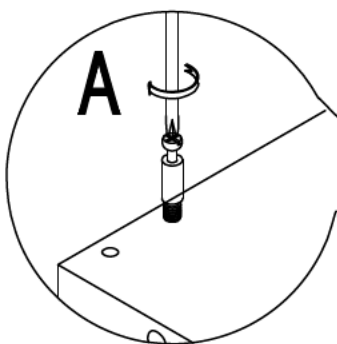
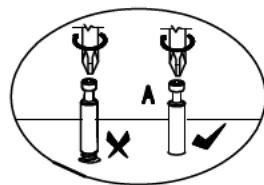
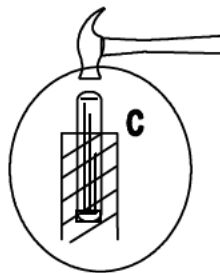
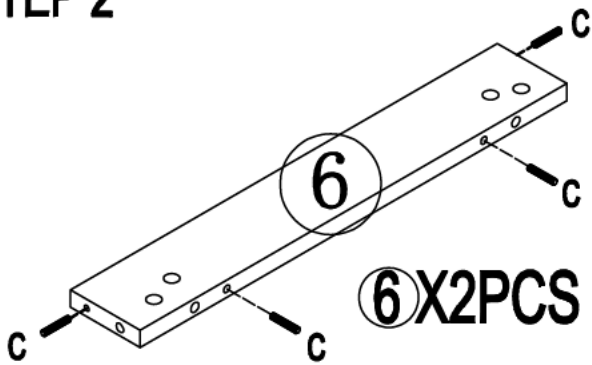


STEP 2

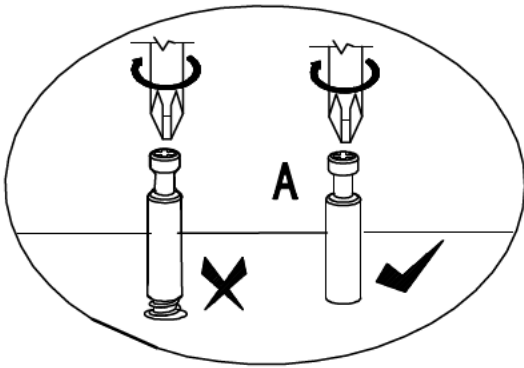
HARDWARE LIST

A  M6 4PCS

C  M6 8PCS

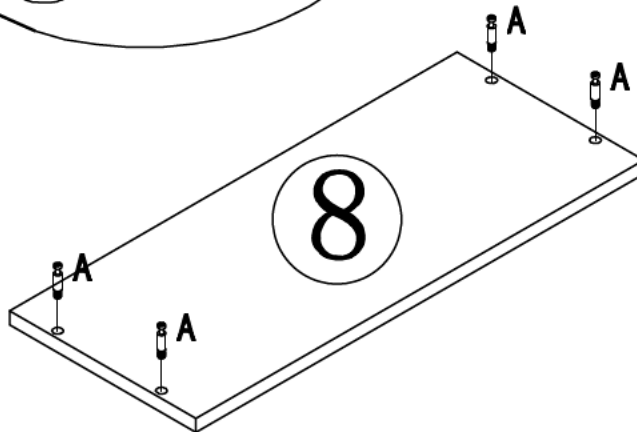


STEP 3

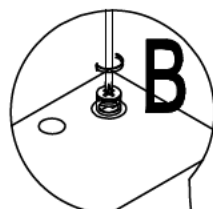
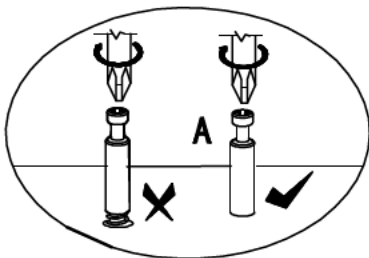


HARDWARE LIST

A  M6 4PCS



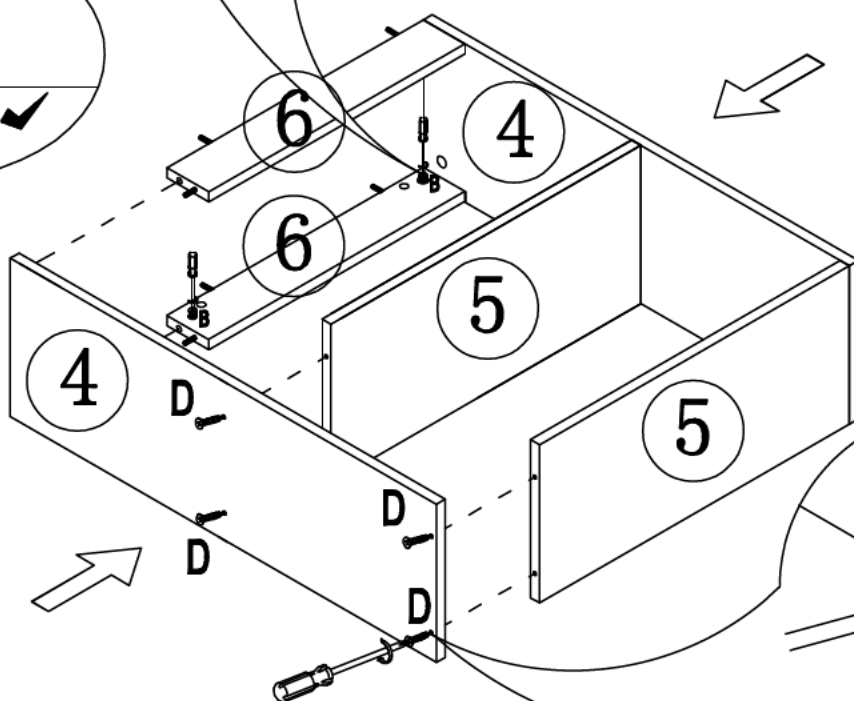
STEP 4



HARDWARE LIST

B  M15 4PCS

D  M4.7 8PCS

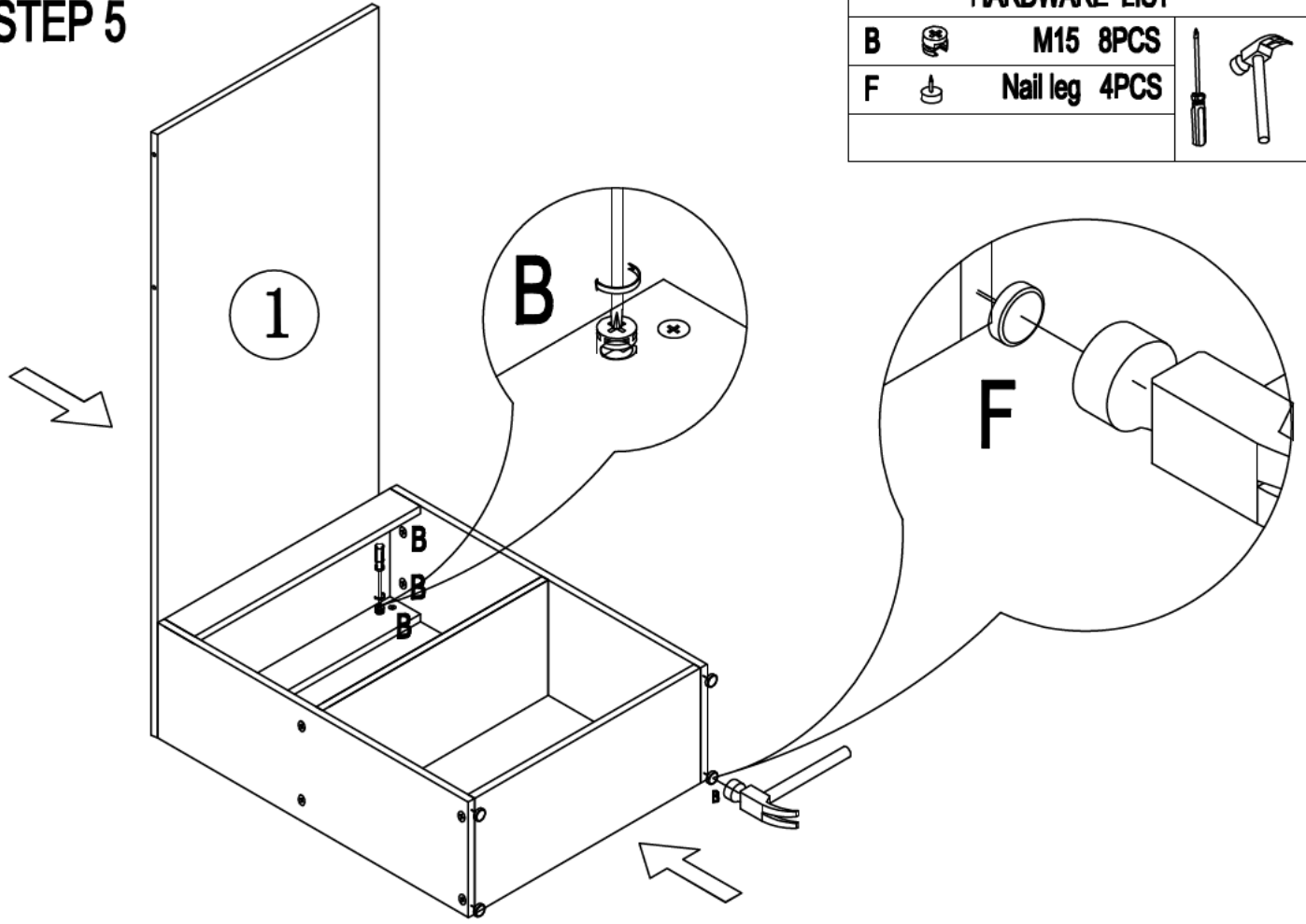


STEP 5

HARDWARE LIST

B  M15 8PCS

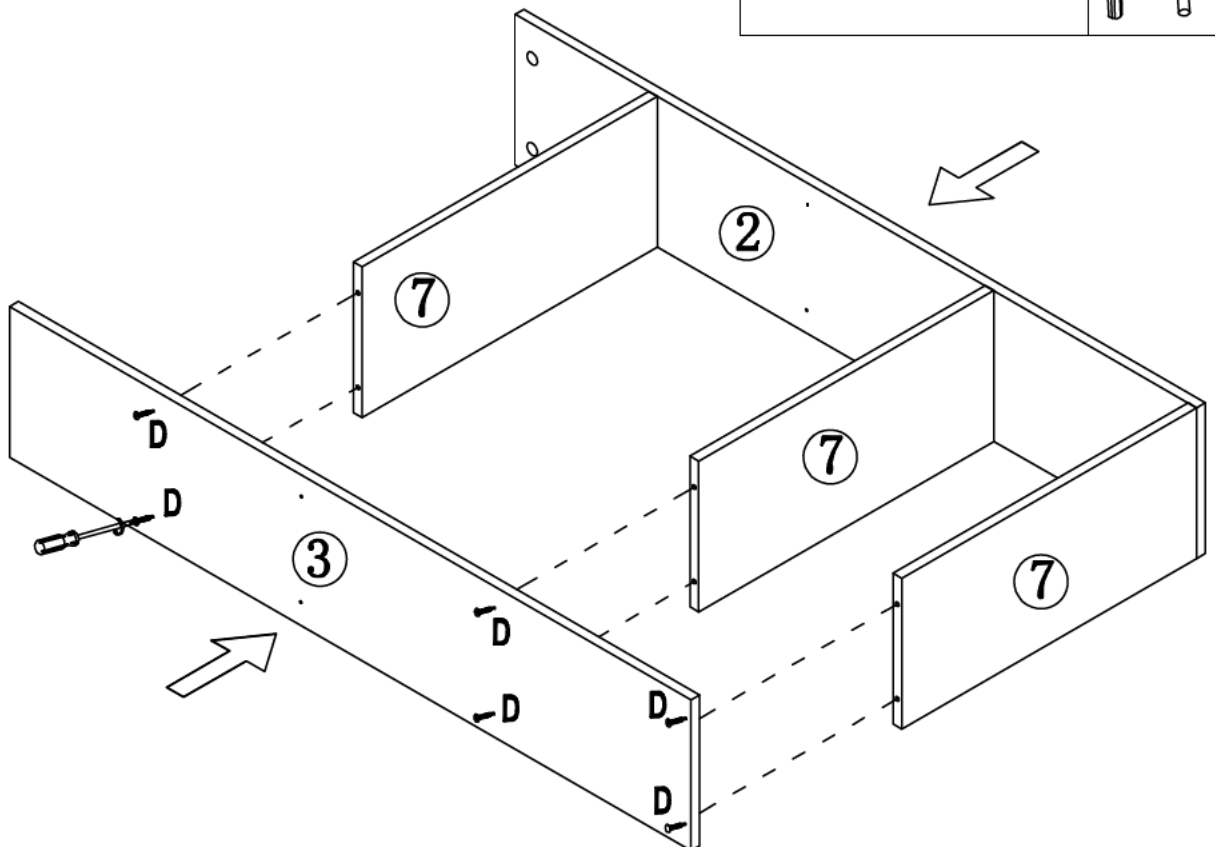
F  Nail leg 4PCS



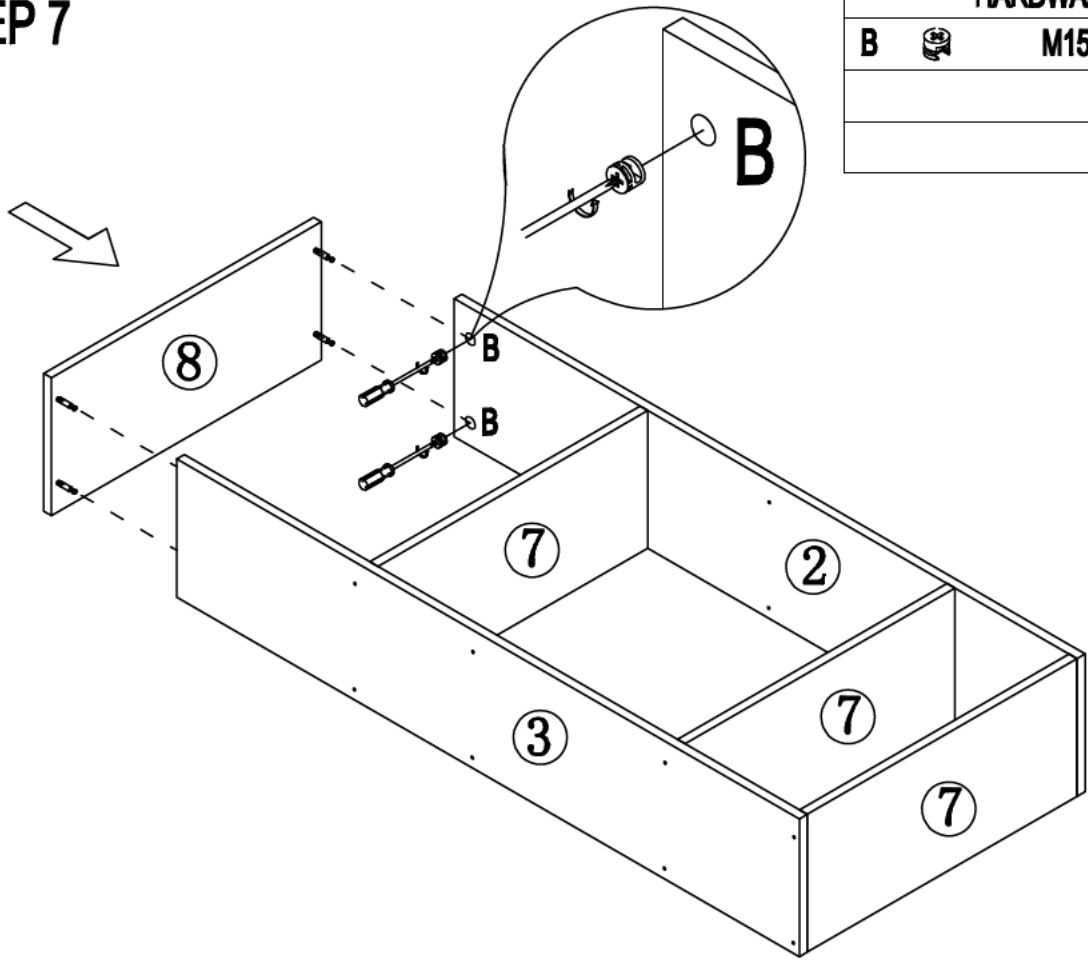
STEP 6

HARDWARE LIST

D  M4.7 12PCS



STEP 7

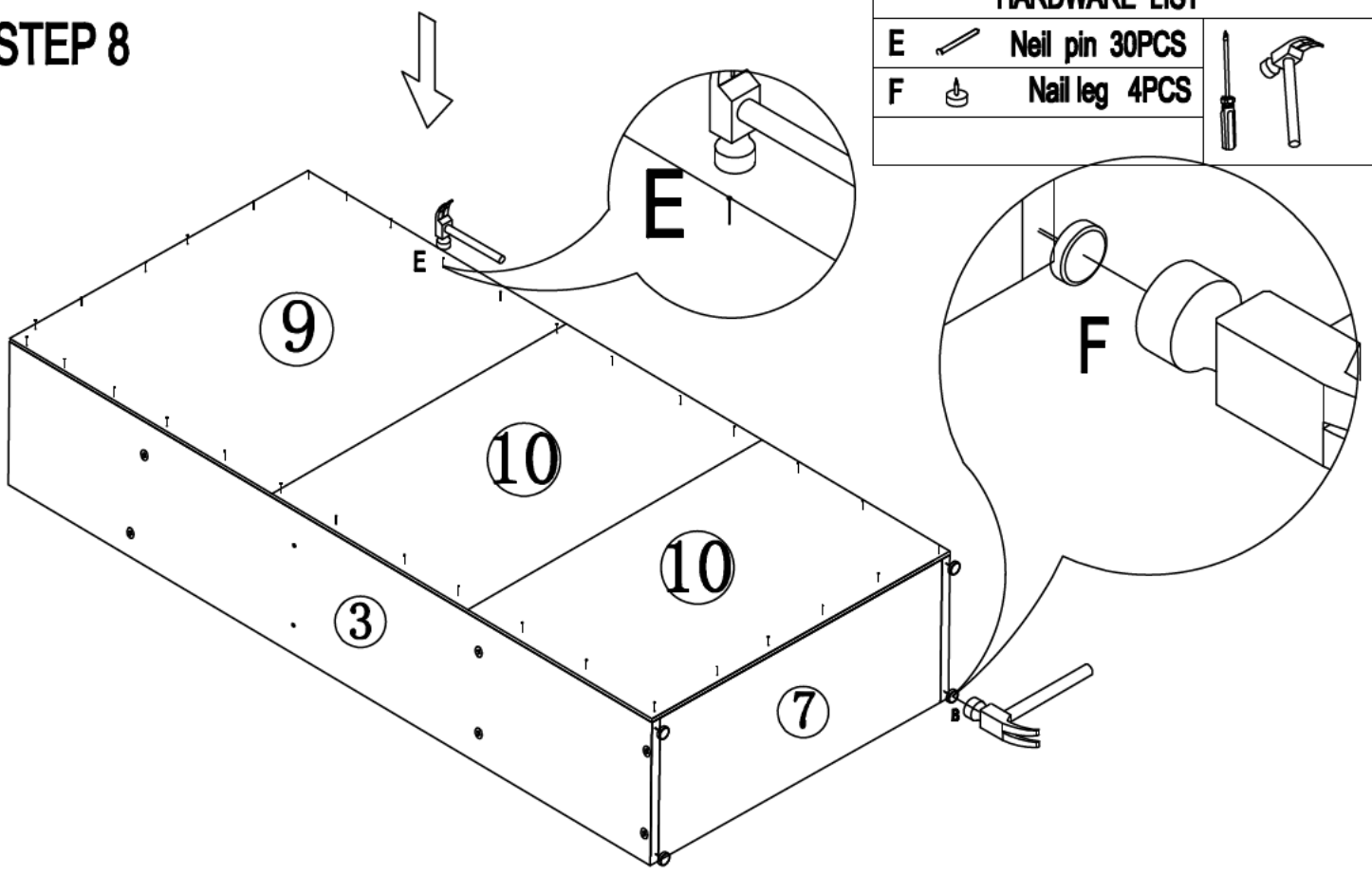


HARDWARE LIST

B  M15 4PCS



STEP 8



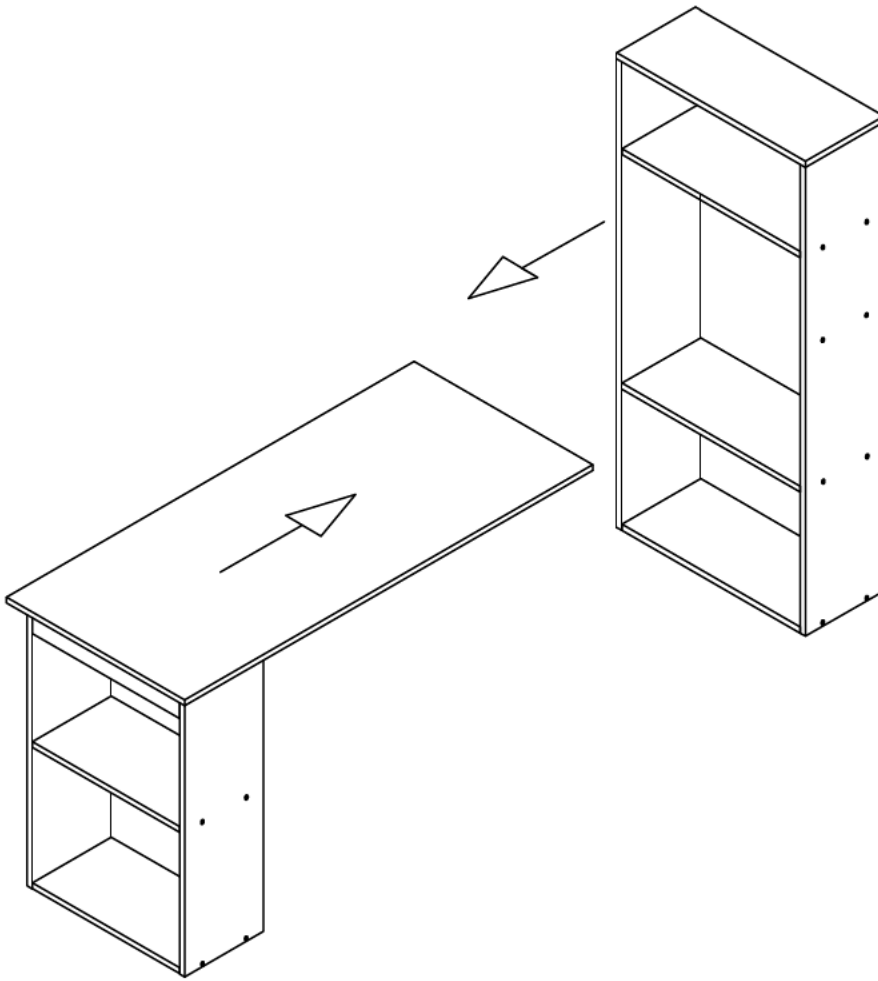
HARDWARE LIST

E  Neil pin 30PCS

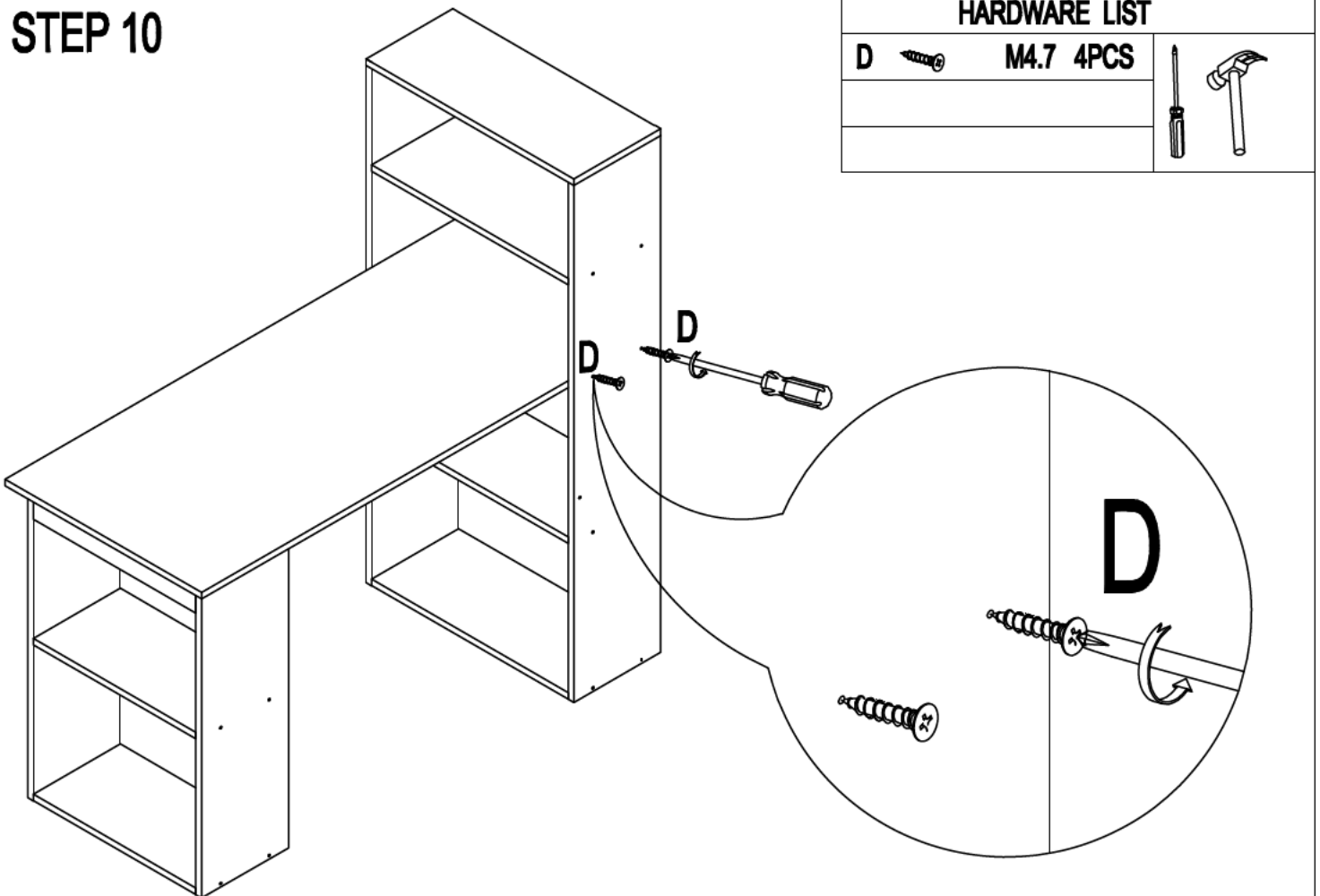
F  Nail leg 4PCS

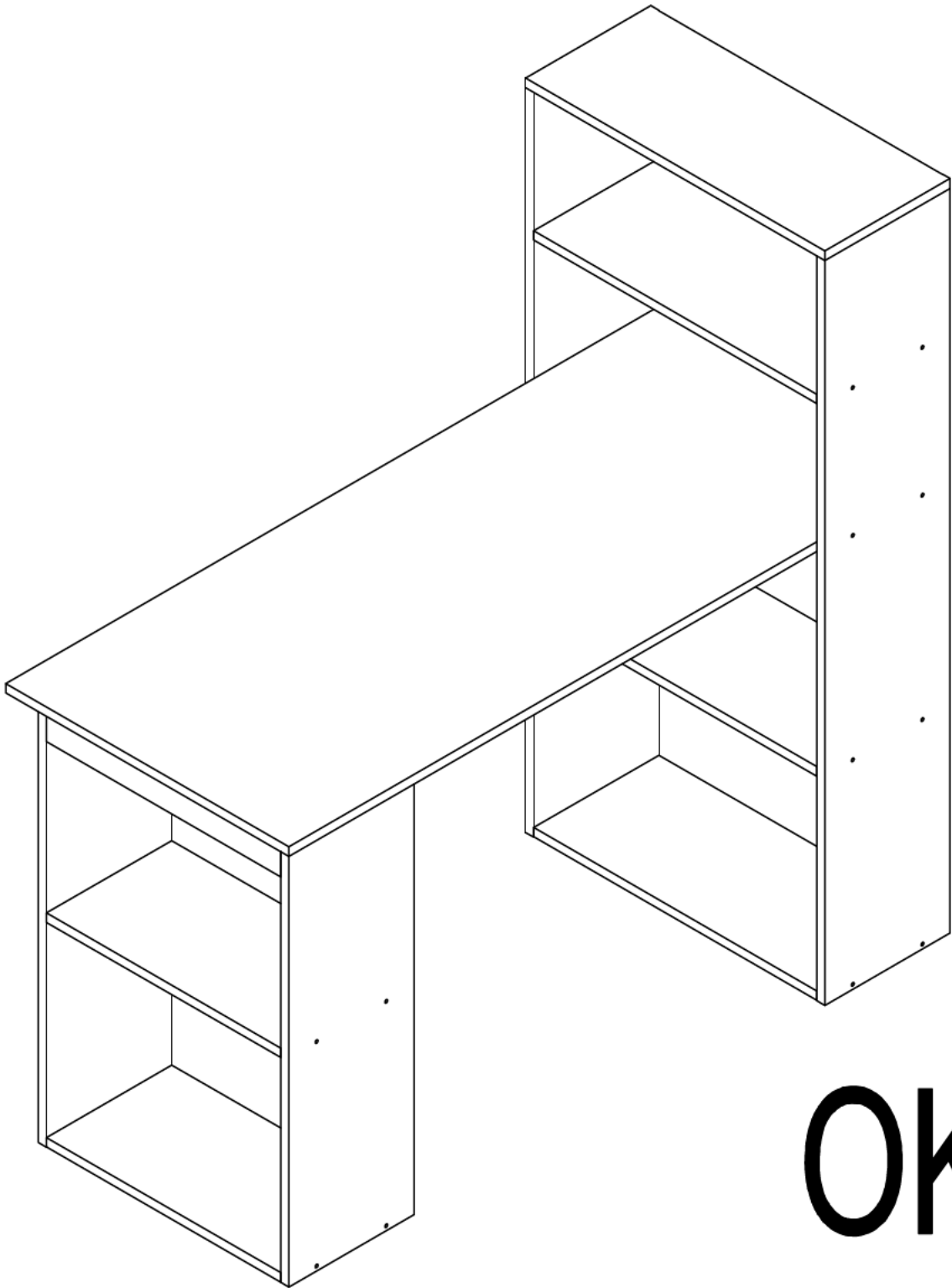


STEP 9



STEP 10





OK