

## BALANCE

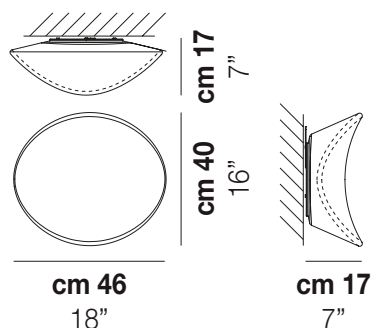
Design Pio e Tito Toso

## BALANCE PL M



Inspired by the elliptic orbit of a planet around the sun, a motion that is created by the harmony and balance of unseen forces represented with the glass and the light. Available in three dimensions as suspension and ceiling.

## BALANCE PL M



### TECHNICAL DATA:



### CERTIFICATIONS:



### LIGHT SOURCES

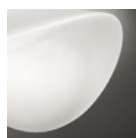
LED Type	Power	Voltage/Freq	Beam Spread	Temp	Other
LED 2700K DIM2	2x60W	120V/60HZ	E26		
LED 2700K DIM2	1x19 W	120V/60HZ	Led 19 W	2850 lm	2700 K 39 V DIM2 Phase Cut
LED 2700K DIM3	1x19 W	120V/60HZ	Led 19 W	2850 lm	2700 K 39 V DIM3 0-10V, Push
LED 3000K DIM2	1x19 W	120V/60HZ	Led 19 W	2850 lm	3000 K 39 V DIM2 Phase Cut
LED 3000K DIM3	1x19 W	120V/60HZ	Led 19 W	2850 lm	3000 K 39 V DIM3 0-10V, Push

VOLUME	Mc 0,13
GROSS WEIGHT	Kg 8,5
NET WEIGHT	Kg 6

[download](#)



### SHADE FINISHING



BCLU

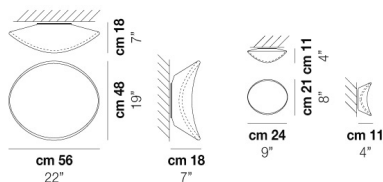
### FRAME FINISHING



BC

### OTHER VERSION AVAILABLE

Click on the version to go to the web version of the product



[BALAN PP G](#)

[BALAN PP 24](#)