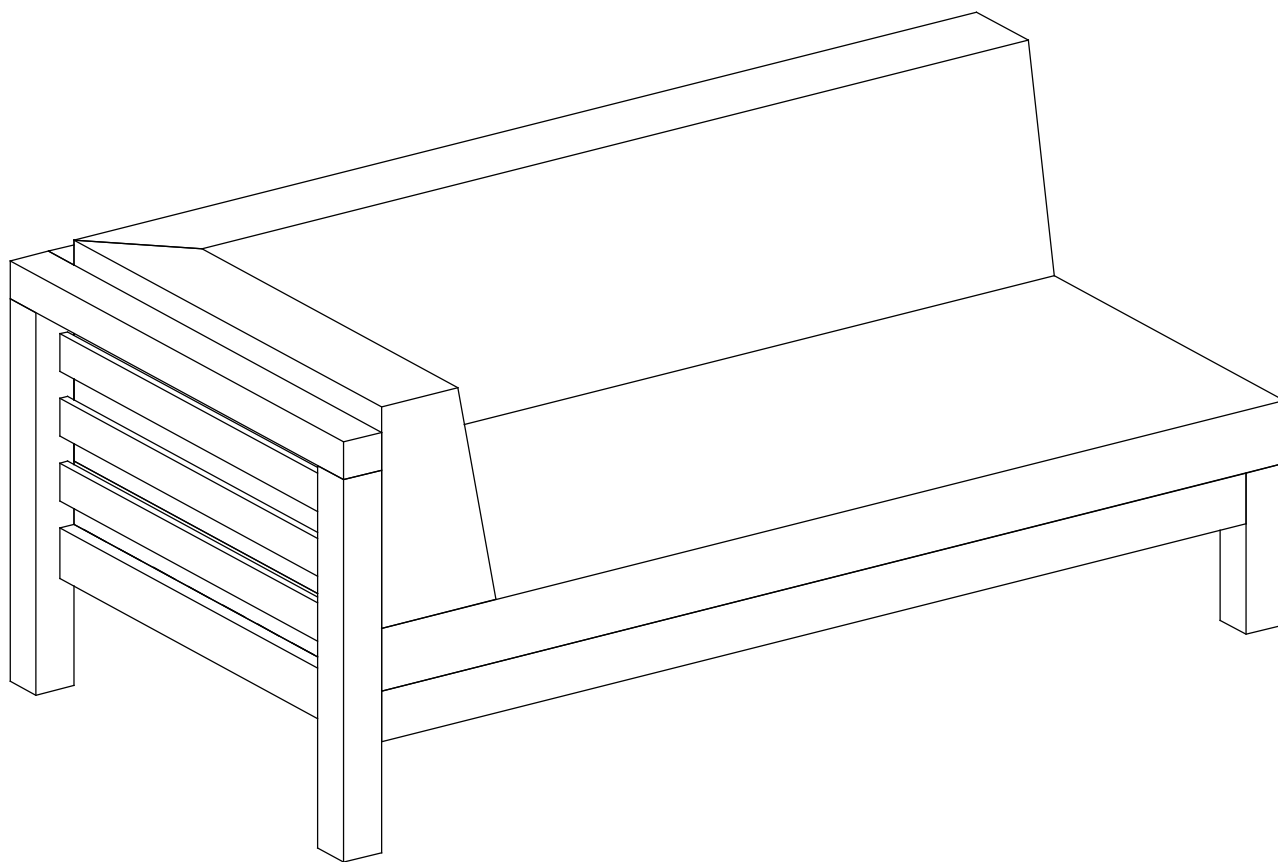


Assembly Instructions

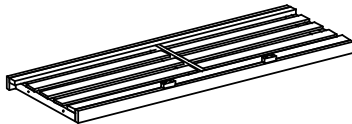
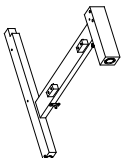
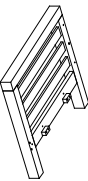
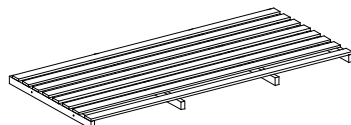
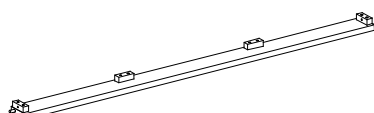
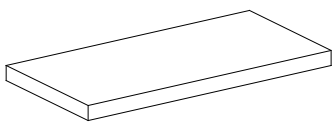
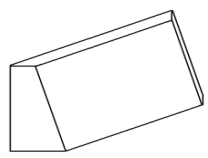
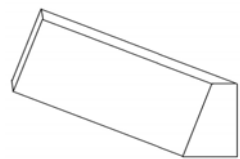
LEFT CHAIR

CAUTION: You must read this before you proceed.

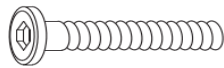
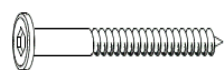



CAUTION : This Left Chair is NOT a TOY.
Keep your child / children at bay in the process of assembly.
For turning the Left Chair and to prevent damage to the Left Chair, 02 persons may be needed to execute this action.

Parts List

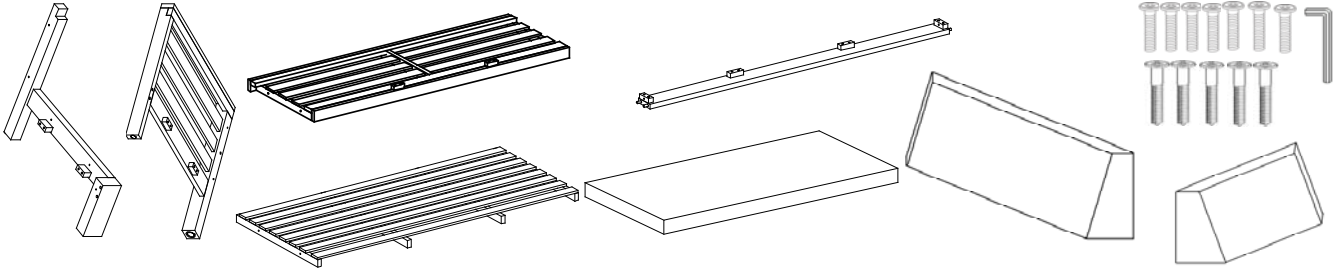
No.	Picture	Description	Qty
A		Backrest Panel	1
B		Right Arm Panel	1
C		Left Arm Panel	1
D		Seat Panel	1
E		Support Bar	1
F		Seat Cushion	1
G		Left Back Cushion	1
H		Right Back Cushion	1

Hardware

No.	Picture	Description	Qty
①		Bolts (M6x35mm)	7
②		Screws (M6x35mm)	5
③		Allen Key	1

Assembly Preparation

Before Beginning Assembly:



Read instructions, cover to cover.



Have 2 adults on hand for assembly.



Do not assemble on flooring or carpet.



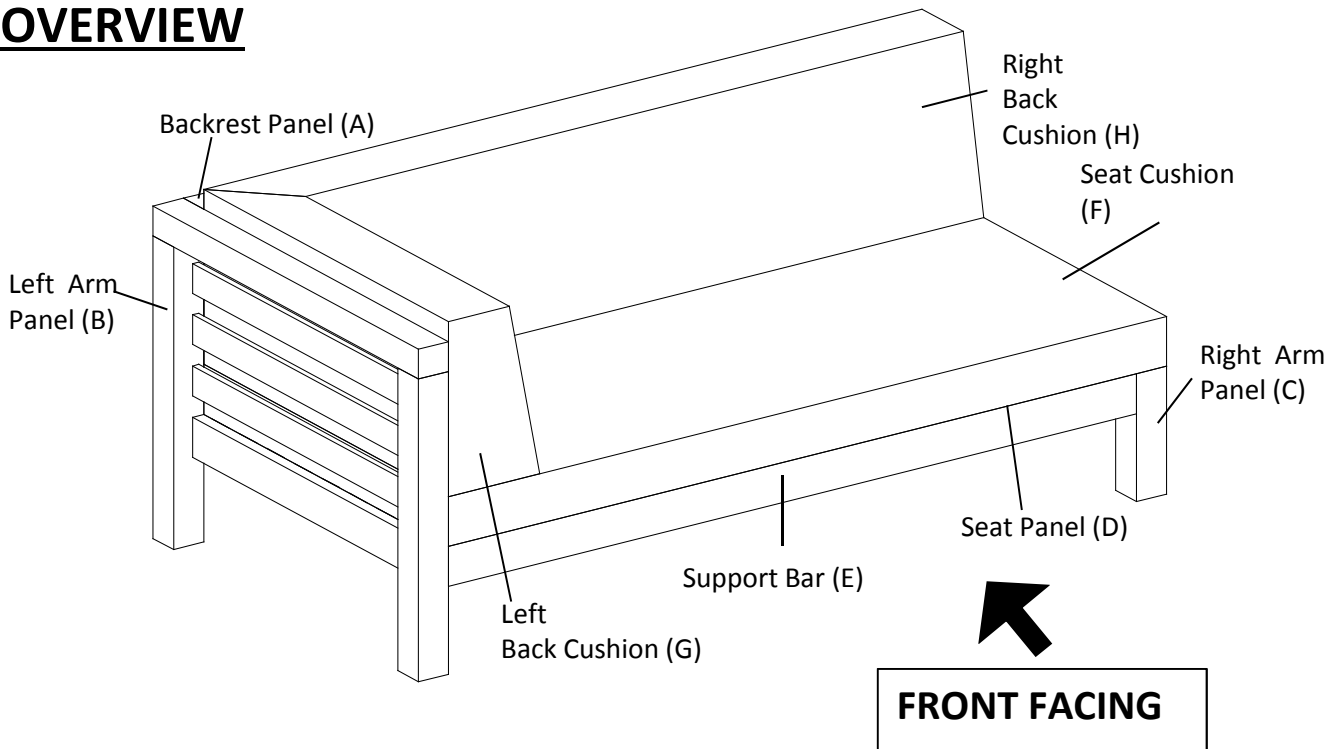
Assemble on a clean non-marring surface (packing foam).



Save all packaging until finished.

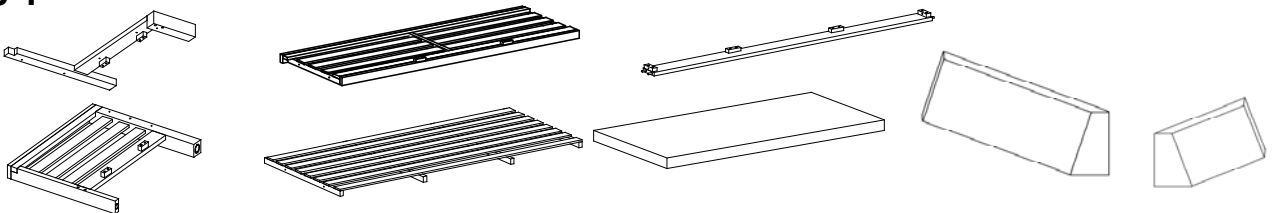
Assembly Steps

OVERVIEW



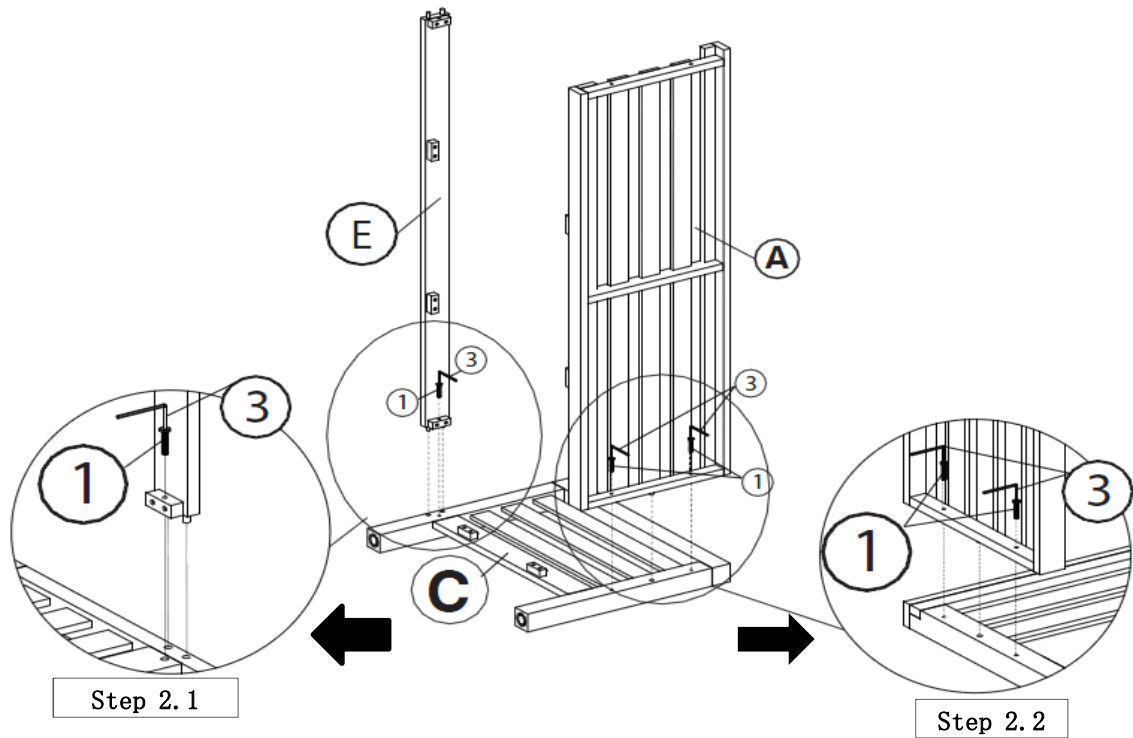
This Left Chair has multiple parts and may require up to 30 minutes to assemble. To give you an overview of the Left Chair parts, the above picture is to help you put the various parts into perspective. Please read through the instructions herebelow to familiarise the parts and steps before assembly.

Step 1



Unpack and place all parts on a clean, non-marring surface.

Step 2



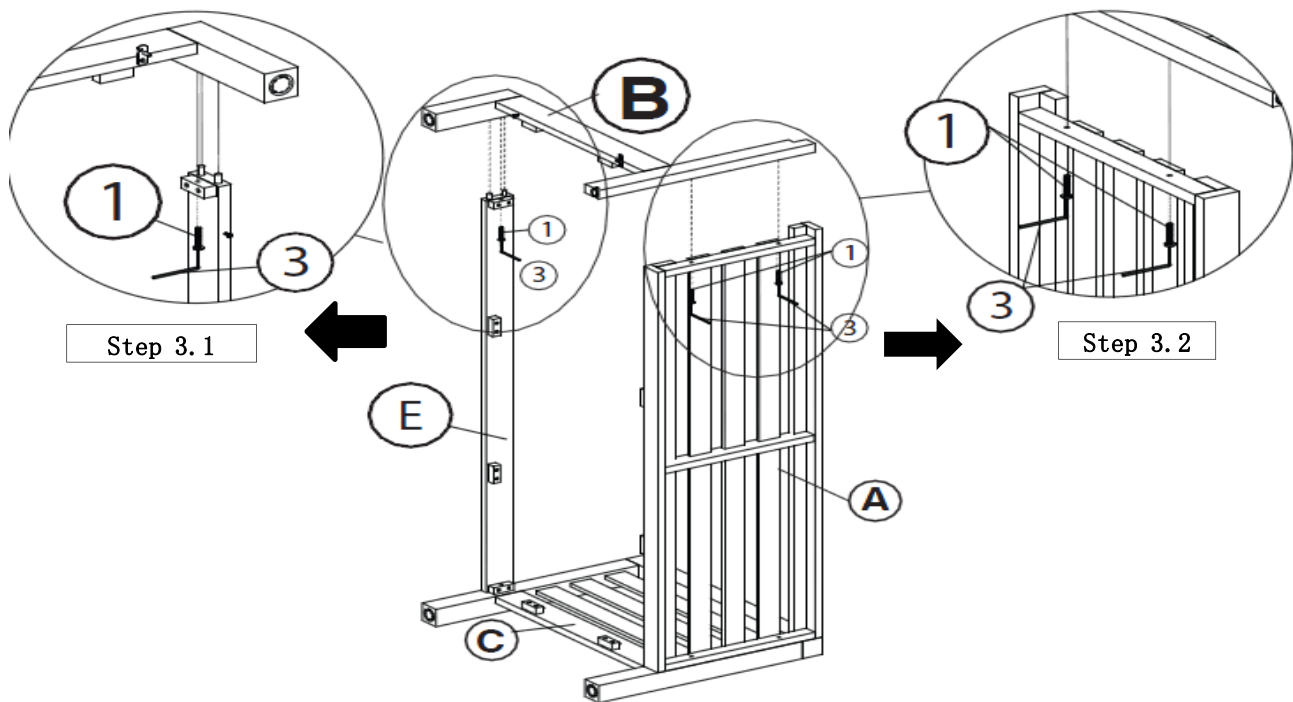
Place the Left Arm Panel (C) with inside face skywards onto a clean, soft surface to avoid any scratches or damages to the product.

Step 2.1: Align the dowels of Support Bar (E) into the positions in the Left Arm Panel (C). Then, affix Support Bar (E) with Left Arm Panel (C) by using Bolt (1) and Allen Key (3)..

Step 2.2: Attach the Backrest Panel (A) onto Left Arm Panel (C) by using Bolts (1) and Allen Key (3).

DO NOT FULLY TIGHTEN BOLTS.

Step 3



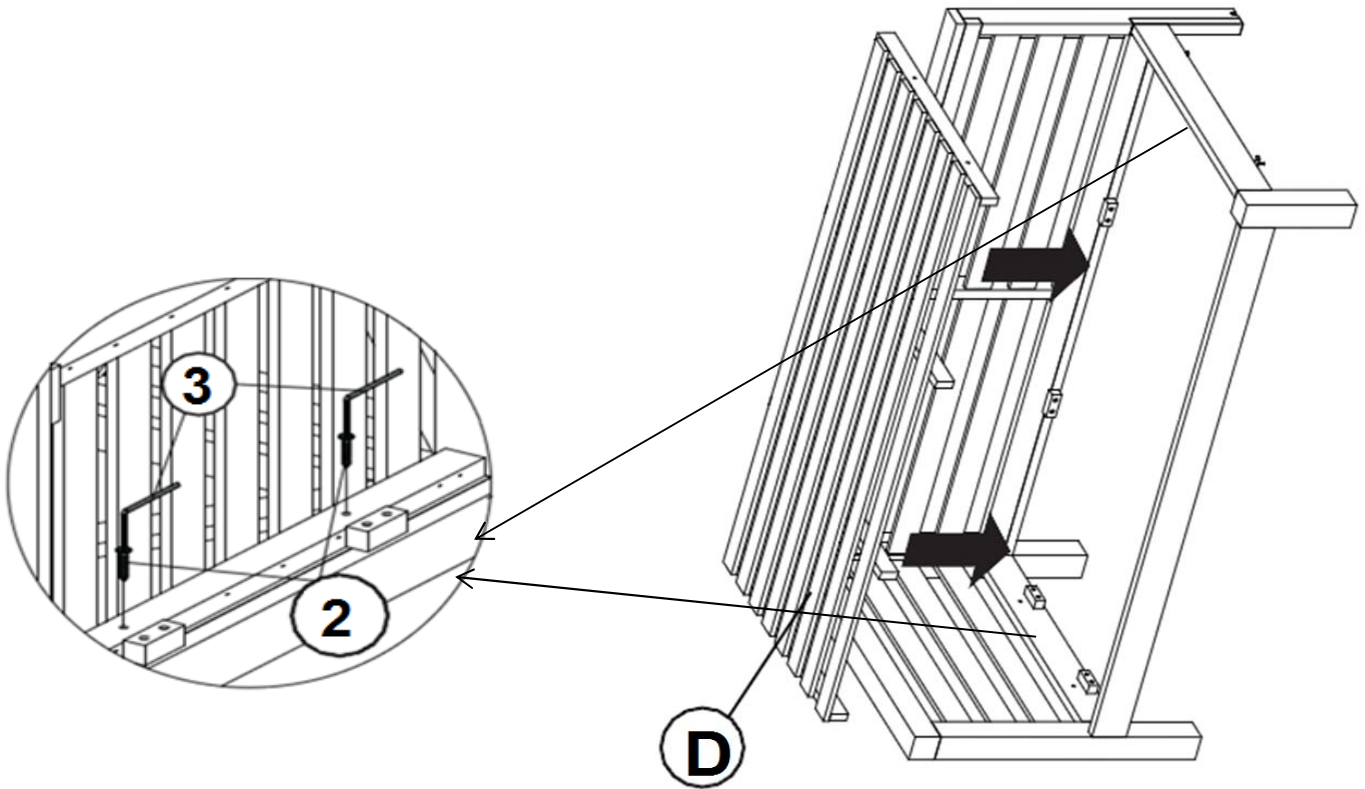
Place Right Arm Panel (B) onto the assembled frame from Step 2

Step 3.1: Align the dowels of Support Bar (E) into the positions in the Right Arm Panel (B). Then, affix Support Bar (E) with Right Arm Panel (C) by using Bolt (1) and Allen Key (3).

Step 3.2: Attach the Right Arm Panel (B) onto Backrest Panel (A) by using Bolts (1) and Allen Key (3).

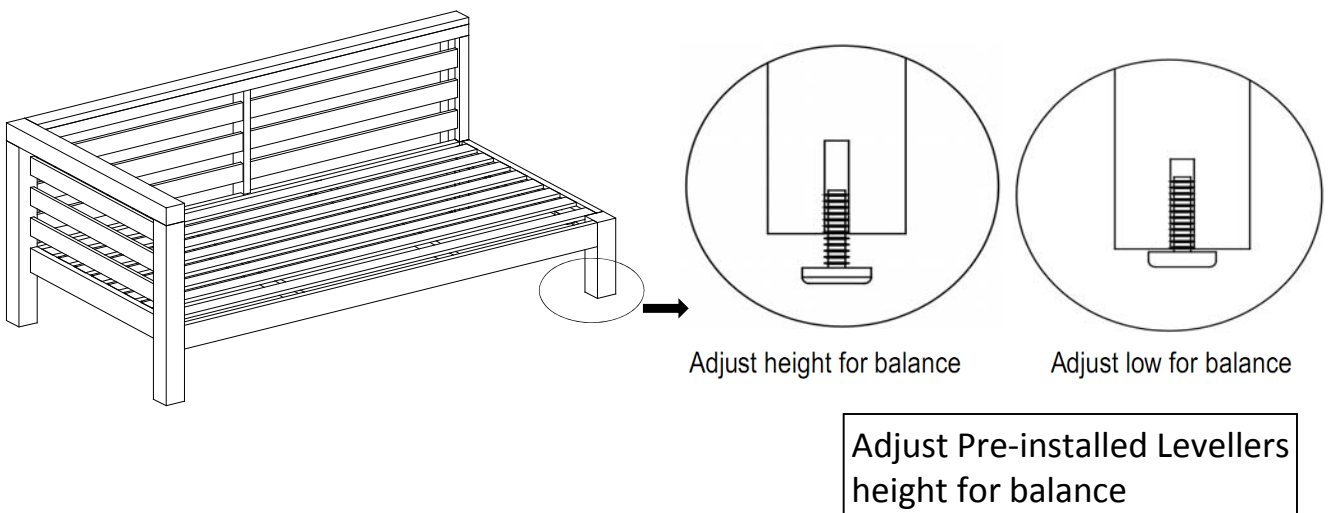
DO NOT FULLY TIGHTEN BOLTS.

Step 4



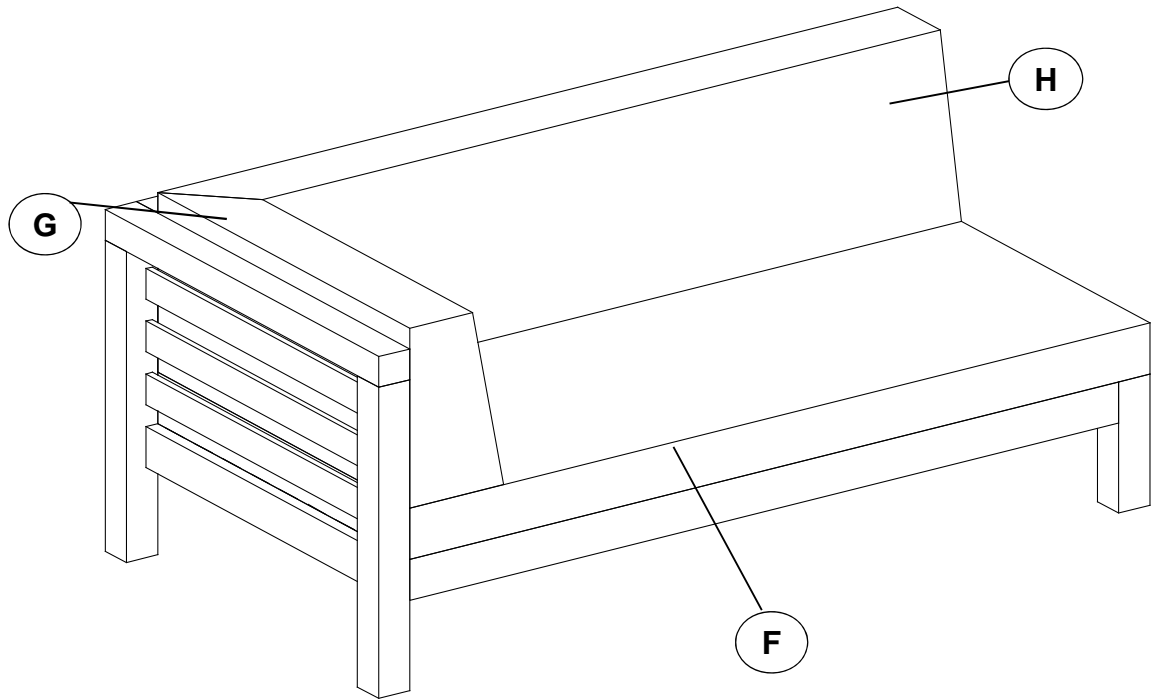
Attach the Seat Panel (D) into the Left Chair as shown in picture above.
Affix Seat Panel (D) with Left Chair by using Screws (2) and Allen Key (3).
Note: Using Screws (2) from inside to outside of Seat Panel (D)
DO NOT FULLY TIGHTEN SCREWS.

Step 5



Inspect the Left Chair and make sure all parts are adequately connected.
In a sequential manner, tighten all Screws and Bolts at all joints.
With assistance from your adult partners, adjust the Levellers to desired height to avoid wobbles.

Step 6



Turn the Left Chair right side up.

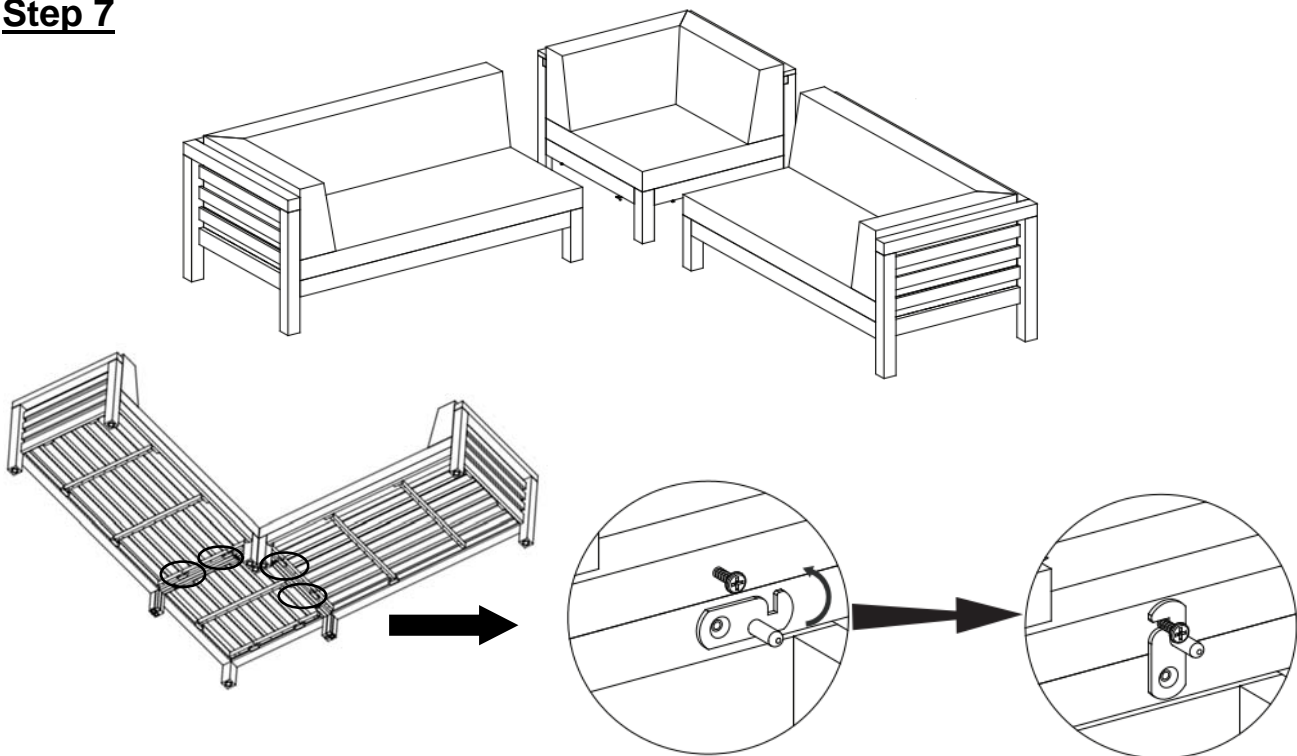
Place Seat Cushion (F), Left Back Cushion (G) and Right Back Cushion (H) to Seat Panel (D).
Inspect it and make sure all parts are adequately connected.

Ensure all screws, bolts are fully locked into position and secured.

The Left Chair is ready to be used.

Caution: This Left Chair can only be used on a flat, level surface.










Step 7



Note: This is optional step in case we want to connect all chairs in a set together and should be done before placing cushion

With assistance from your adult partners, up side down the chairs and using pre-fixed clip to connect the chairs together

Care & Maintenance

- | | |
|---|--|
|  | <input checked="" type="checkbox"/> Do not put hot items directly on furniture surface. |
|  | <input checked="" type="checkbox"/> Do not clean furniture with harsh cleansers or polish. |
|  | <input checked="" type="checkbox"/> To obtain the longest lifespan of your outdoor products, minimizing exposure to direct sunlight is recommended. |
|  | <input checked="" type="checkbox"/> Children should not climb or jump on the furniture. |
|  | <input checked="" type="checkbox"/> Do not write on furniture without a padded barrier to protect the surface. |
|  | <input checked="" type="checkbox"/> To obtain the longest lifespan of your outdoor products, avoid extended and lengthy exposure to rain, snow, and direct sunshine. Whenever possible cover the product and /or place under patio or awnings. |
|  | <input checked="" type="checkbox"/> Not for commercial use. For residential use only. |
|  | <input checked="" type="checkbox"/> Stains may be removed with mild soap solution and damp cloth. |
|  | <input checked="" type="checkbox"/> Dust and pick-up spills using a clean, non-colored, lint-free cloth. |

What is Proposition 65?

Proposition 65 is a California law that requires warning labels on products that may contain one of more than 800-plus chemicals or ingredients that the California Office of Environmental Health Hazard Assessment (OEHHA) has deemed to cause cancer or other reproductive toxicity. Chemicals and elements on this list include wood dust, brass, and other everyday substances, which can be found in very common household items, such as: lamps, tableware, jewelry, crystal glasses, electric cords, beauty products, automobiles, and furniture.

Why Did I Find a Proposition 65 Warning on My Home Goods Product?

We include Proposition 65 warnings on all of our products because there is always a chance that one of the 800-plus common chemicals and ingredients listed under this law could potentially be on our furniture or packing materials. We risk large fines under this law, if we don't include this warning.

Should I worry?

We realize you may be worried finding this warning on our products, but we want to reassure you that the hazardous exposure limits for any of these chemicals have never been found on furniture products that we've shipped to our customers. Additionally, this warning label is very common and can be found on almost every piece of furniture sold in the state of California.

Just How Common Are Proposition 65 Warnings?

Proposition 65 warnings have become so common in California that it is hard to take a trip to a local bank, grocery store, or restaurant without finding at least one warning. In fact, even the Disney Land Resort has a Proposition 65 warning sign.

