

Specifications:

Installation:	vanity-top
Exterior Dimensions:	36 1/2" w x 19" d x 6 1/2"
Material:	Solid surface
Weight:	48 lbs
Overflow:	Yes
Finishes:	M - Matte white G - Gloss white
Faucet Holes:	N/A
Drain Hole Size:	Ø 1 3/4"
Cutout Size:	20 3/4" x 15 3/4" (templates available upon request)



Features:

- Stain, scratch, chemical, impact resistant
- Optional backsplash available
- K36LS - sink on the left
- K36RS - sink on the right

Codes + Standards:

- Meets and exceeds applicable national codes and standards



compliant when installed to specific requirements of this regulation

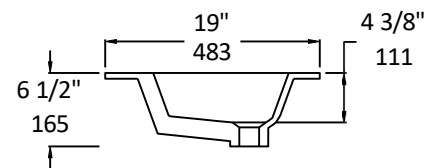
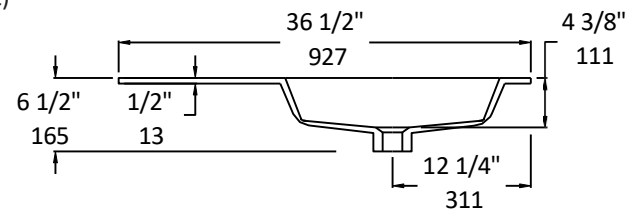
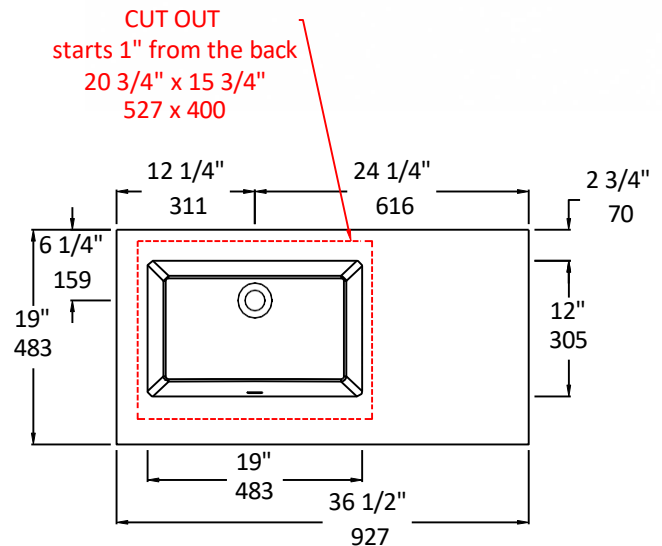
Recommended Items:

- BKS - 6" Backsplash G - gloss, M - matte
- Furniture for K36LS/K36RS 19" deep sink (not suitable for deck-mount faucet)
 - KBT-ADA-36S - Wall-mount vanity with two doors
- Drain with overflow
 - 7100-17
 - 7100-16OF
 - 7100-13OF

Care + Maintenance:

- To prevent damage to the solid surface material, hot objects and open flame should not be placed in direct contact with the surface

[Click Here](#) to find out more about proper care and maintenance



LACAVA reserves the right to revise any dimension or information on this sheet without notice. Dimensions are nominal and may vary within an industry accepted tolerance of 1/4". Drawings provided herein are meant to give the user an idea of the product and are not made to scale.

Revised: 12/22/25