

ASSEMBLY INSTRUCTION

ITEM NO.: WF198027AAE

WF198028AAE

WF198029AAE

Thank you for purchasing this quality product. Be sure to check all packing material carefully for small parts, which may have come loose inside the carton during shipment. Identify and count all parts and compare with the HARDWARE LIST below.





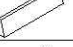
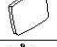



Caution: Please read instructions thoroughly before unpacking assembly parts. Sharp, exposed staple tips can cause injury, therefore, for your production, please remove any exposed staples used in packing.

1. We recommend that you assemble this product with the assistance of another person; this will make assembly easier, and will help to eliminate damage to the product or injury to persons during assembly.

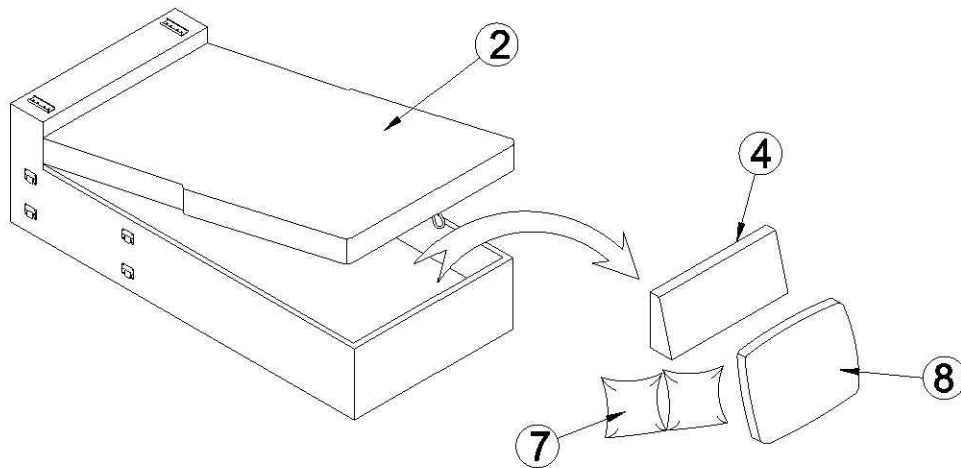
2. Please do not over tighten screws or bolt until the assembly is completed.

3. Please put all parts on a non-abrasive floor before assembly, and follow the assembly steps to assemble your sofa.

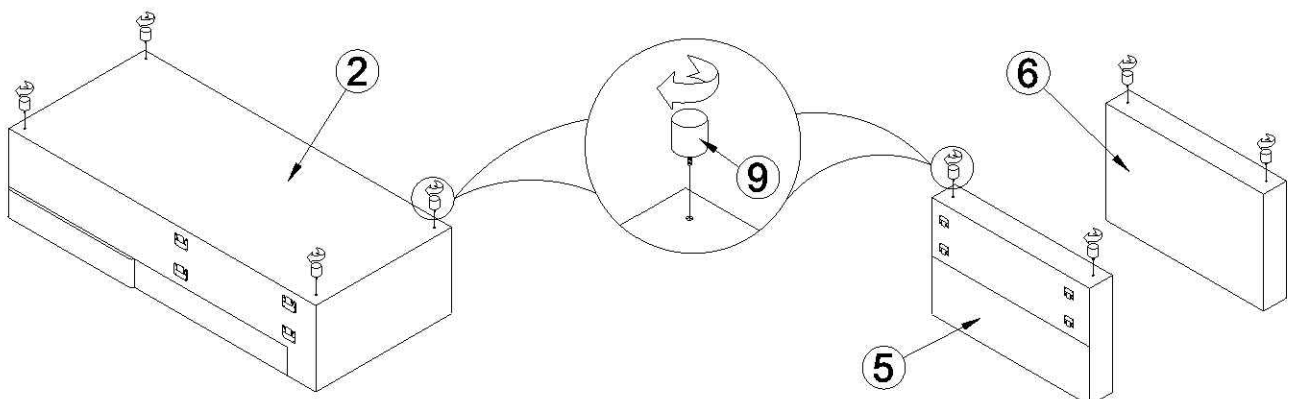
PARTS LIST

No	Description	Sketch	Q'ty	No	Description	Sketch	Q'ty
1	Love seat		1 PC	6	Right Facing Arm		8 PC
2	chaise		1 PC	7	Pillow		2 PCS
3	Loveseeat back		1 PC	8	Back Cushion		3 PC
4	Chaise back		1 PC	9	Leg		8 PC
5	Left Facing Arm		4 PC				

Step 1 :



Step 2 :



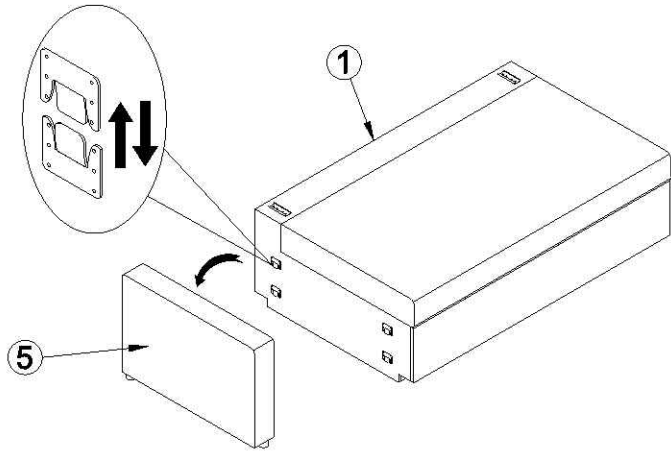
ASSEMBLY INSTRUCTION

ITEM NO.: WF198027AAE

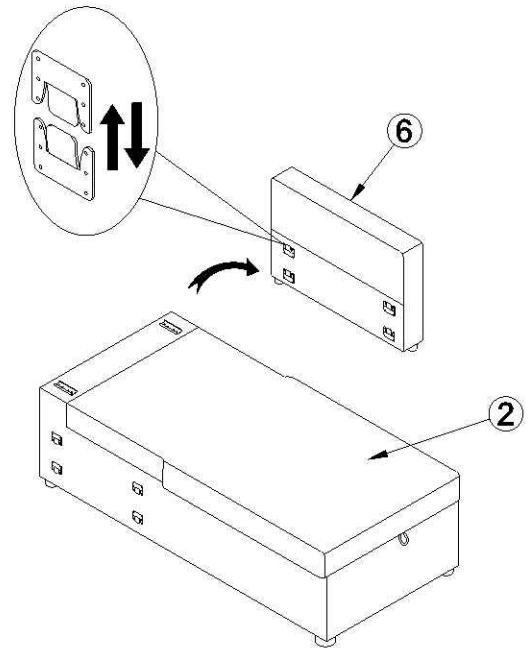
WF198028AAE

WF198029AAE

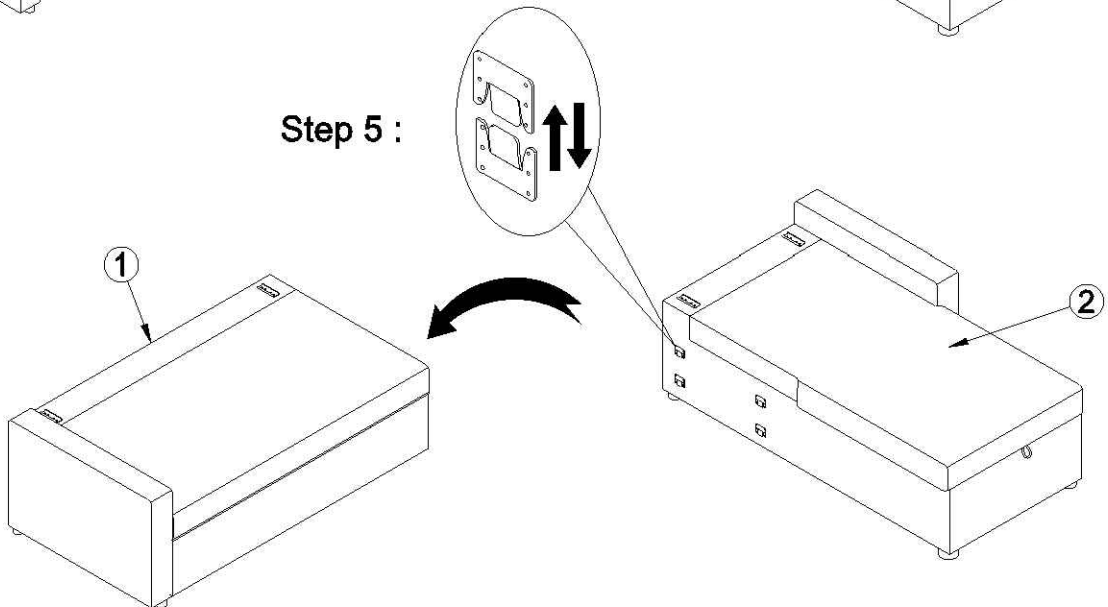
Step 3 :



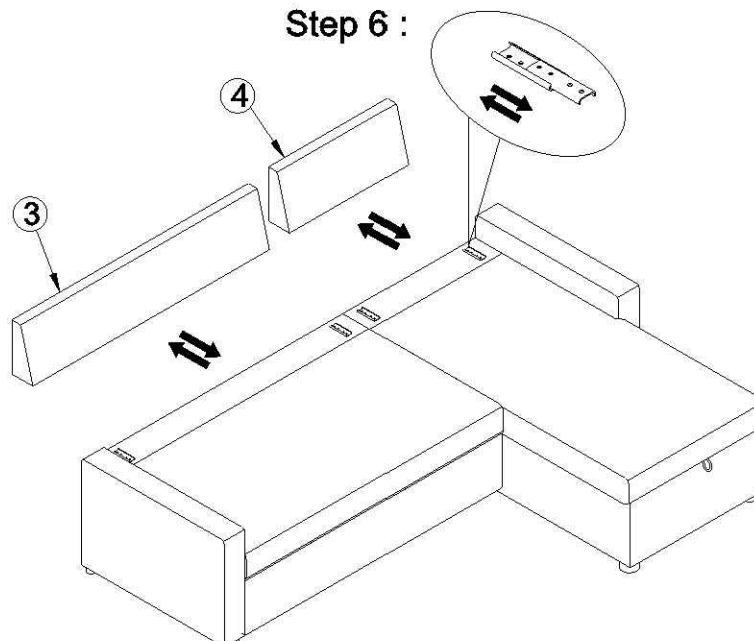
Step 4 :



Step 5 :



Step 6 :



ASSEMBLY INSTRUCTION

ITEM NO.: WF198027AAE

WF198028AAE

WF198029AAE

Step 7 :

