

Assembly Instruction



ASSEMBLY TIME PER UNIT:

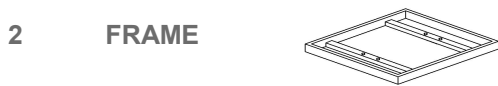
20MINUTES

PARTS IDENTIFICATION

B1:TOP MARBLE AND FRAME



1pc



1PC

B2:BOTTOM



1PC



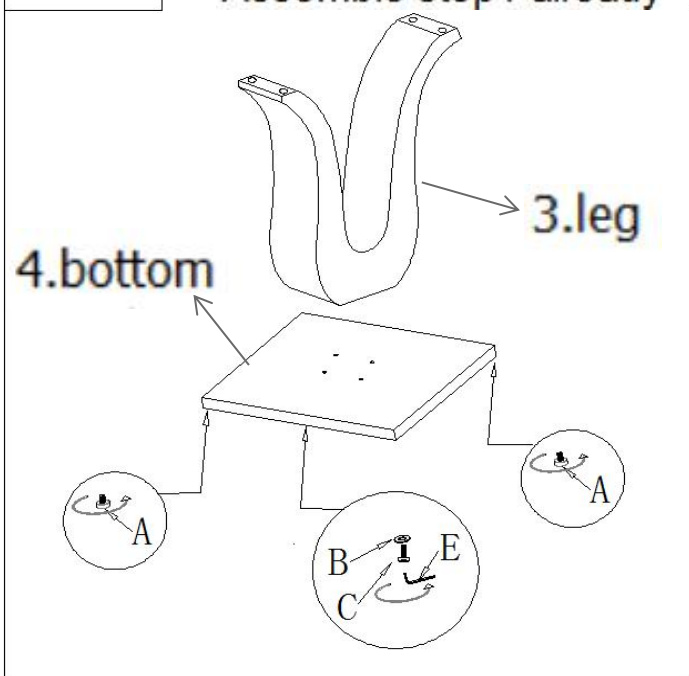
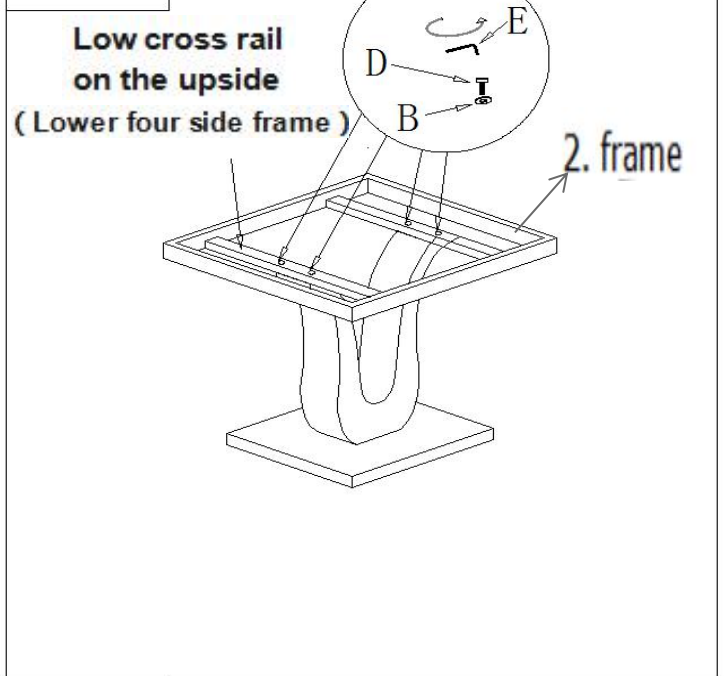
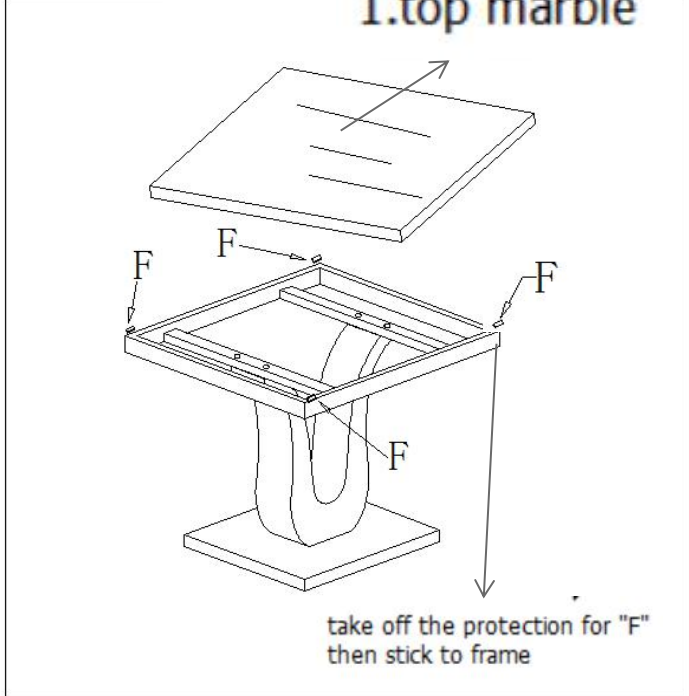
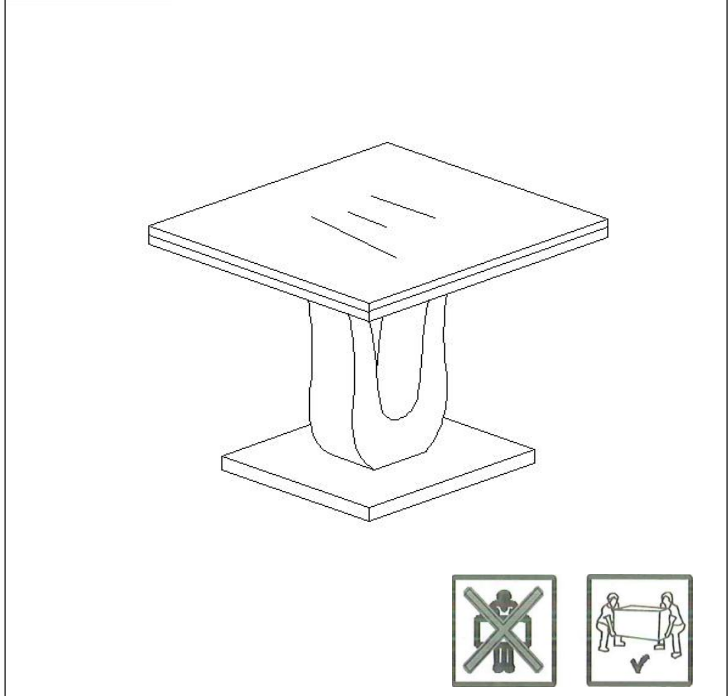

1PC

HARDWARE LIST

| NO. | SIZE | DIAGRAM | QTY |
|-----|-------|---------|-----|
| A | Ø8X10 | | 4 |
| B | Ø10 | | 8 |
| C | M8X25 | | 4 |
| D | M8X30 | | 4 |
| E | 8MM | | 1 |
| F | | | 4 |

Hardware pack is located in B2

ASSEMBLY INSTRUCTION

| | |
|---|--|
| <p>STEP : 1</p> <p>Assemble step1 already</p>  <p>4.bottom</p> <p>3.leg</p> <p>A</p> <p>B</p> <p>C</p> <p>E</p> <p>D</p> | <p>STEP : 2</p> <p>Low cross rail on the upside (Lower four side frame)</p>  <p>2.frame</p> |
| <p>STEP : 3</p> <p>1.top marble</p>  <p>F</p> <p>F</p> <p>F</p> <p>F</p> <p>take off the protection for "F" then stick to frame</p> | <p>STEP : 4</p>   |