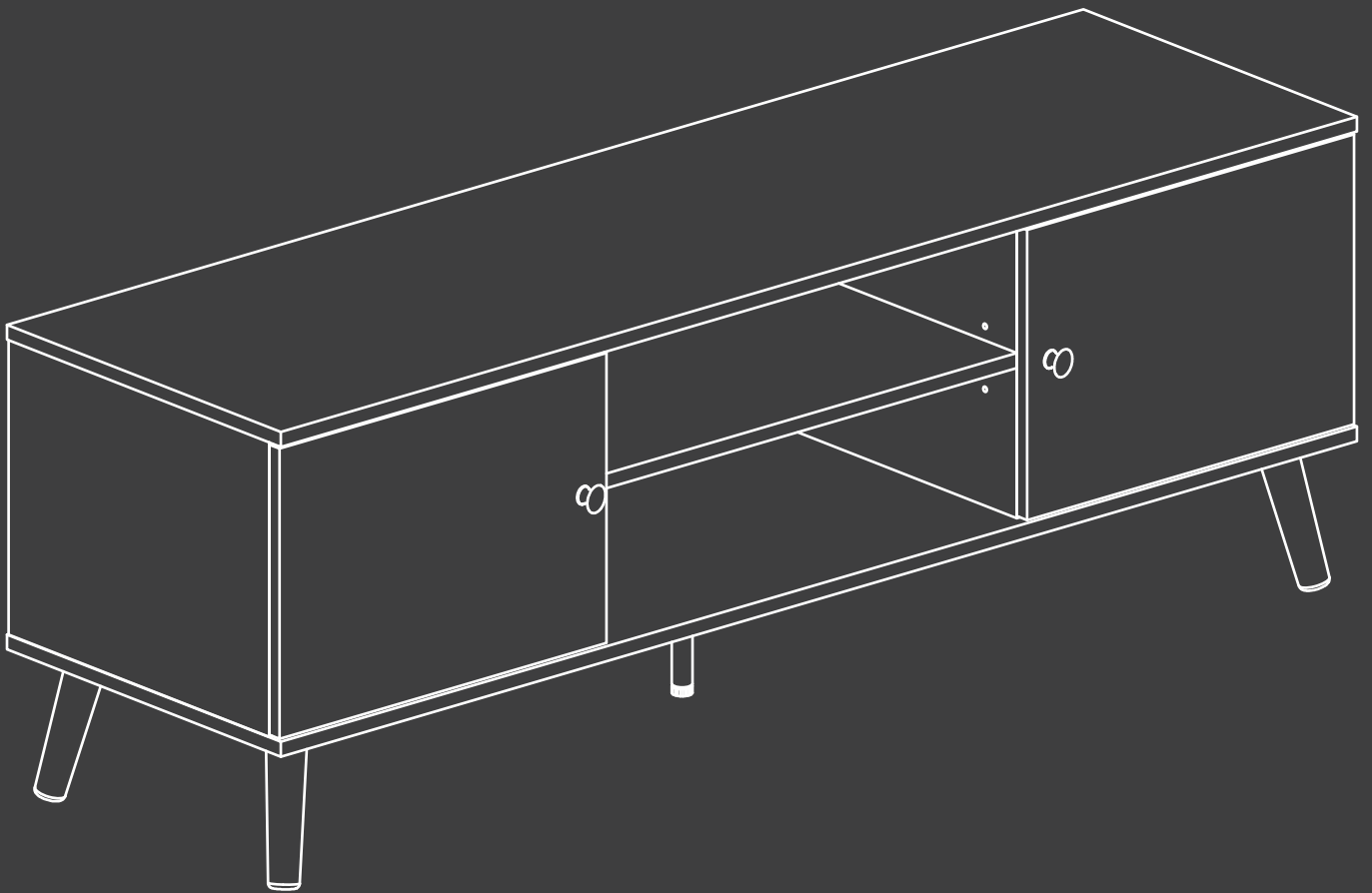


TV Set Cabinet

Instruction Manual

T-TVS-001



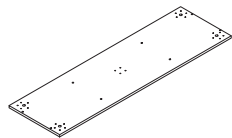
✉ HJ-Customer-Service@outlook.com

☎ (909)637-7665 | (909)637-7593

EST 9:00AM--17:00PM

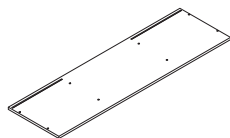
1 Component List

A X1



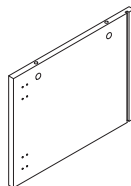
Bottom Board

B X1



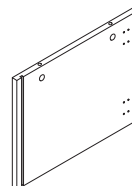
Top Board

C X1



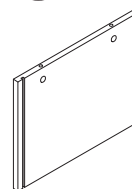
Board

D X1



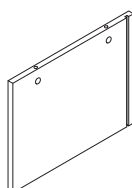
Board

E X1



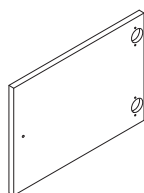
Board

F X1



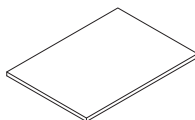
Board

G X2



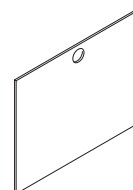
Board

H X1



Board

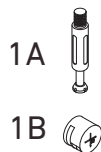
I X2



Board

2 Supplied Parts and Hardware

1 X8



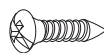
Bolts
10mm

2 X8



Bolts
M7×38mm

3 X24



Bolts
M4×14mm

4 X24



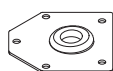
Bolts
M3.5×14mm

5 X4



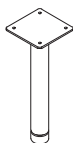
Adjusting the
Buckle

6 X4



Foot Connecting
Piece

7 X1



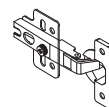
Iron Leg

8 X4



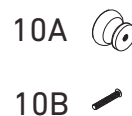
Wooden Leg

9 X4



Hinge

10 X2



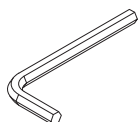
Handle
M4×18mm

11 X4



Shim

12 X1



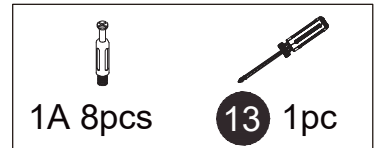
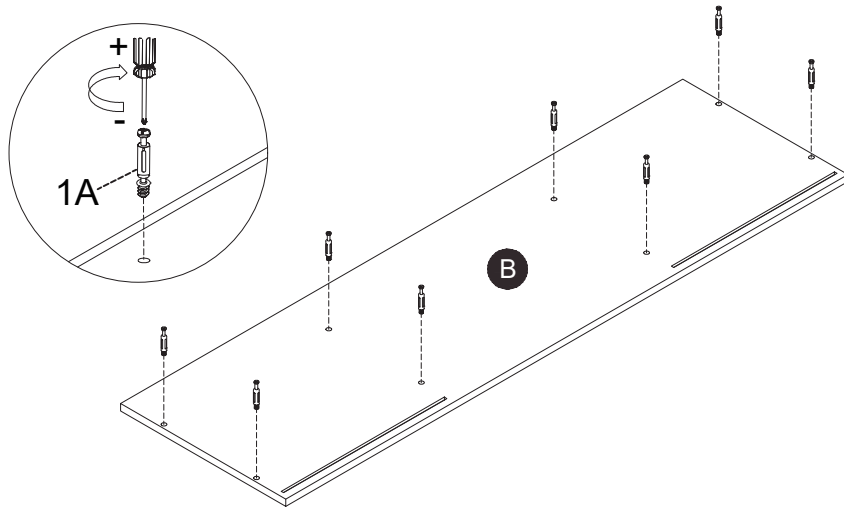
Wrench

13 X1

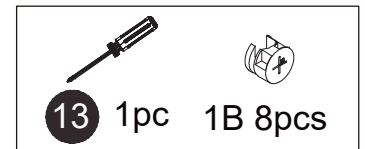
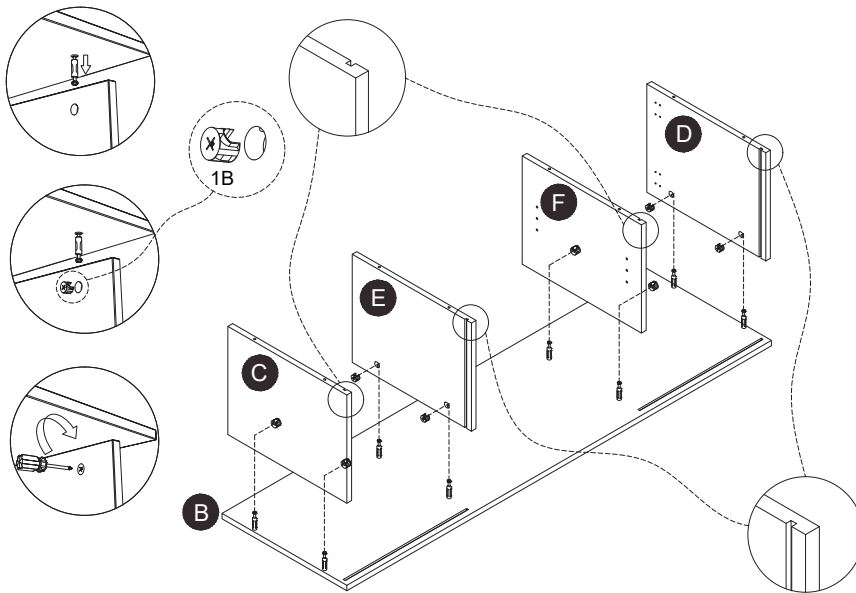


Screwdriver

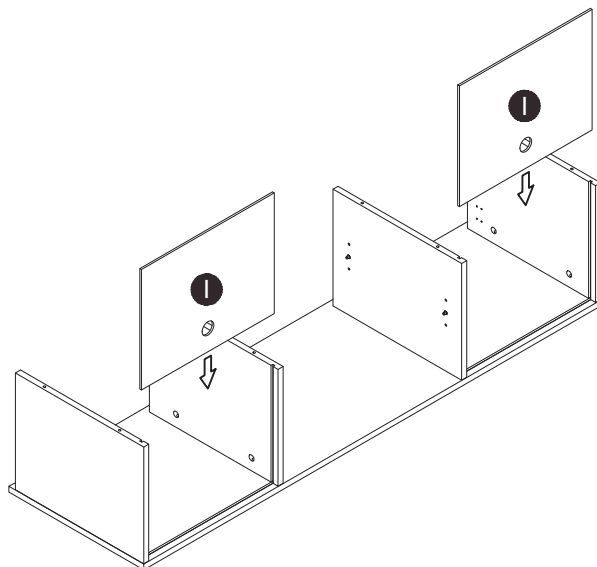
Step 1



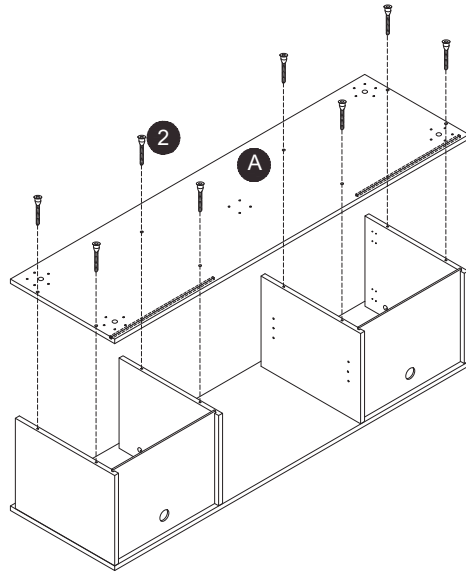
Step 2



Step 3

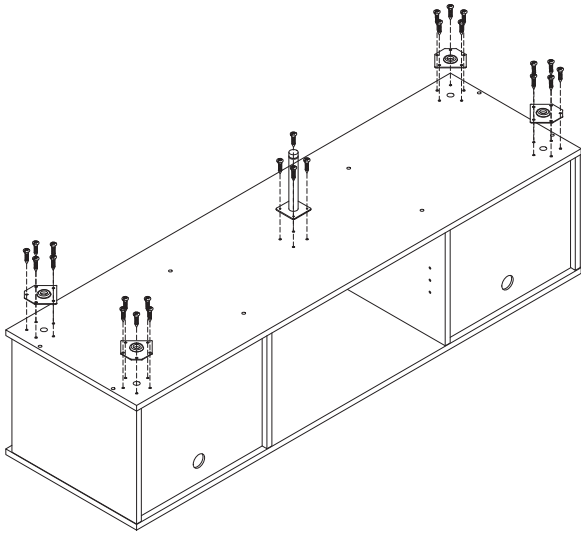


Step 4

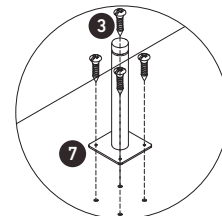
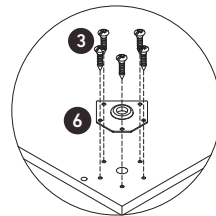


2 8pcs 12 1pc

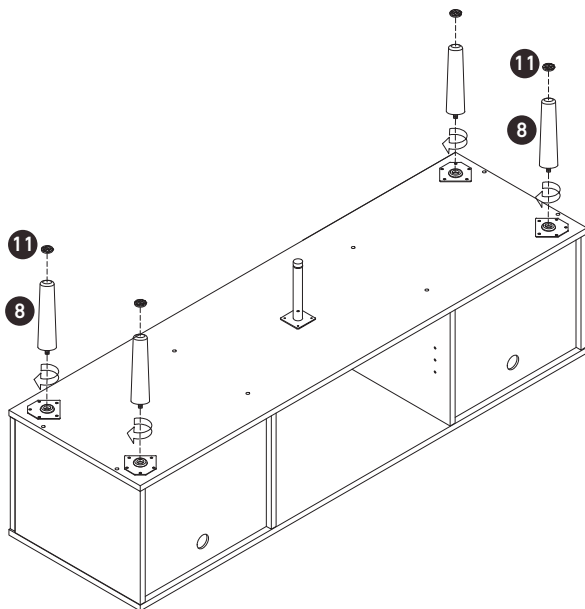
Step 5



3 24pcs 6 4pcs 7 1pc 13 1pc

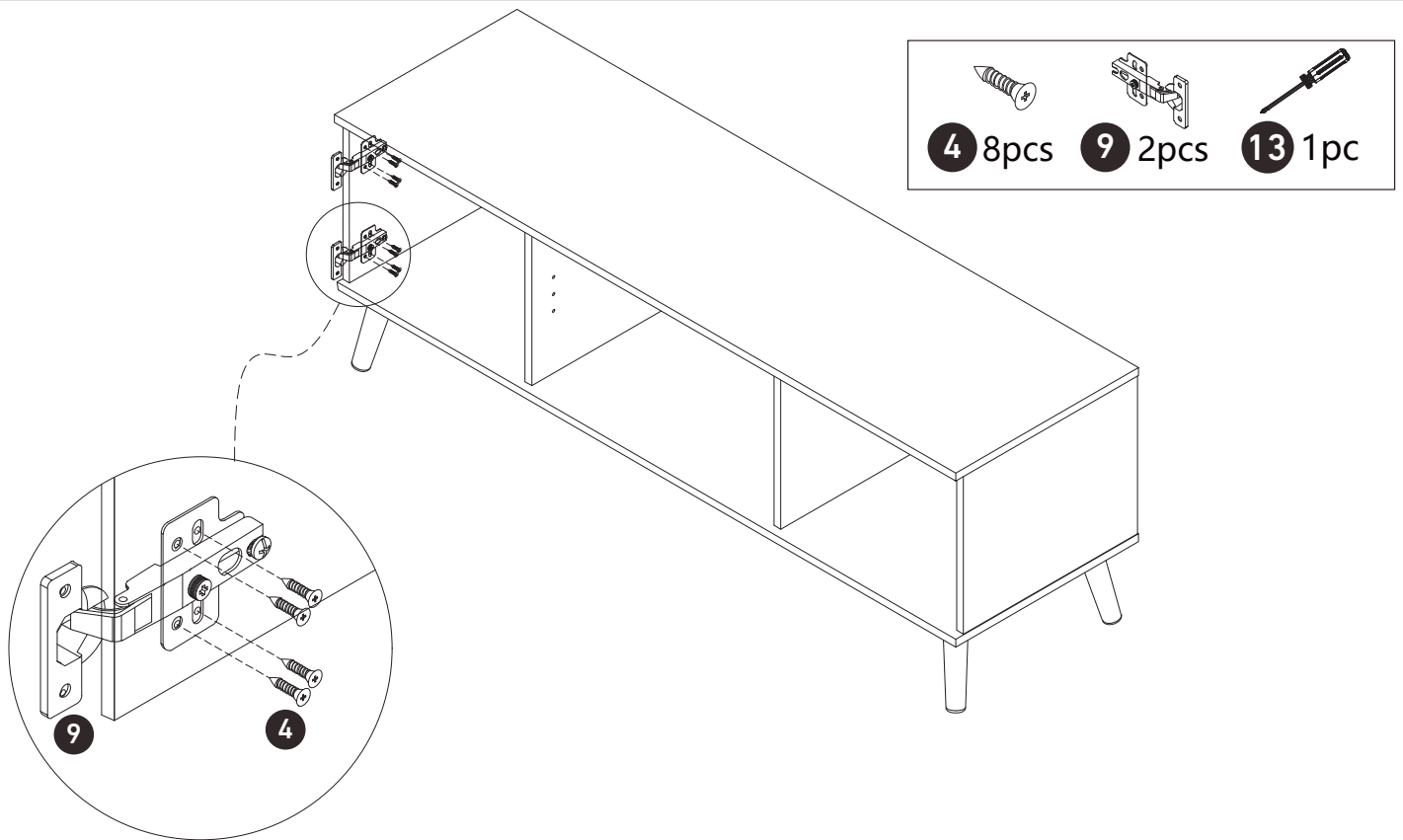


Step 6

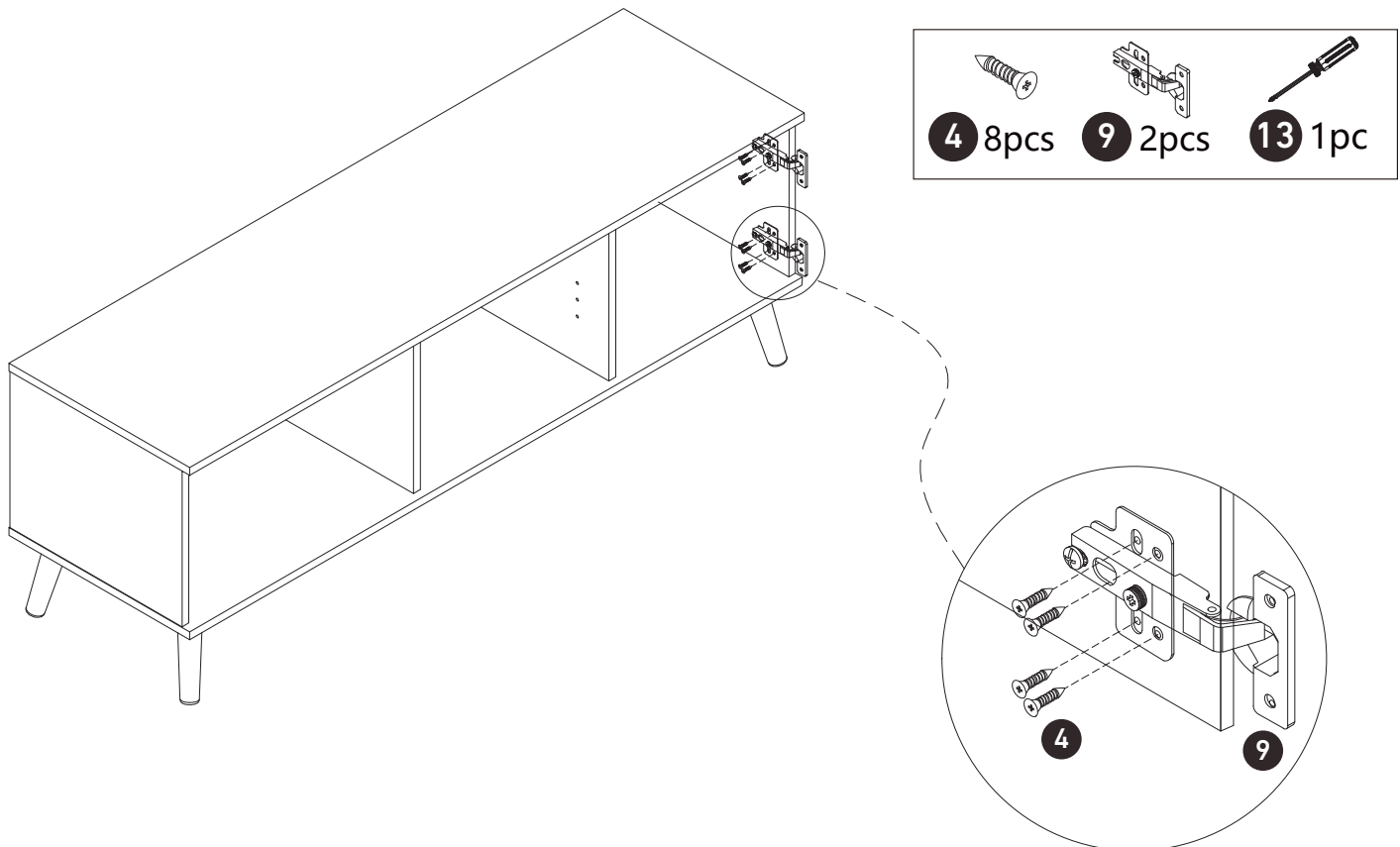


8 4pcs 11 4pcs

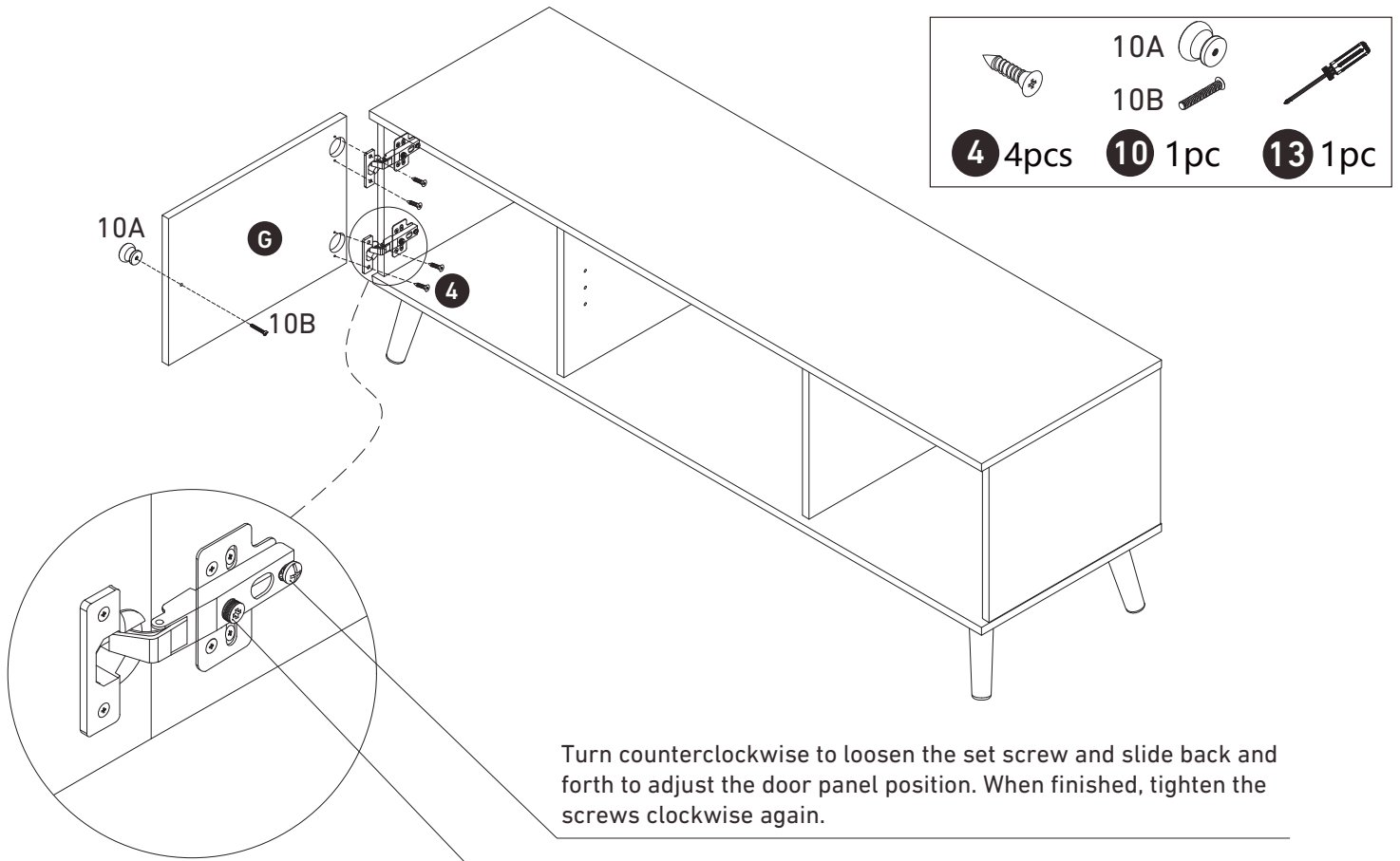
Step 7



Step 8



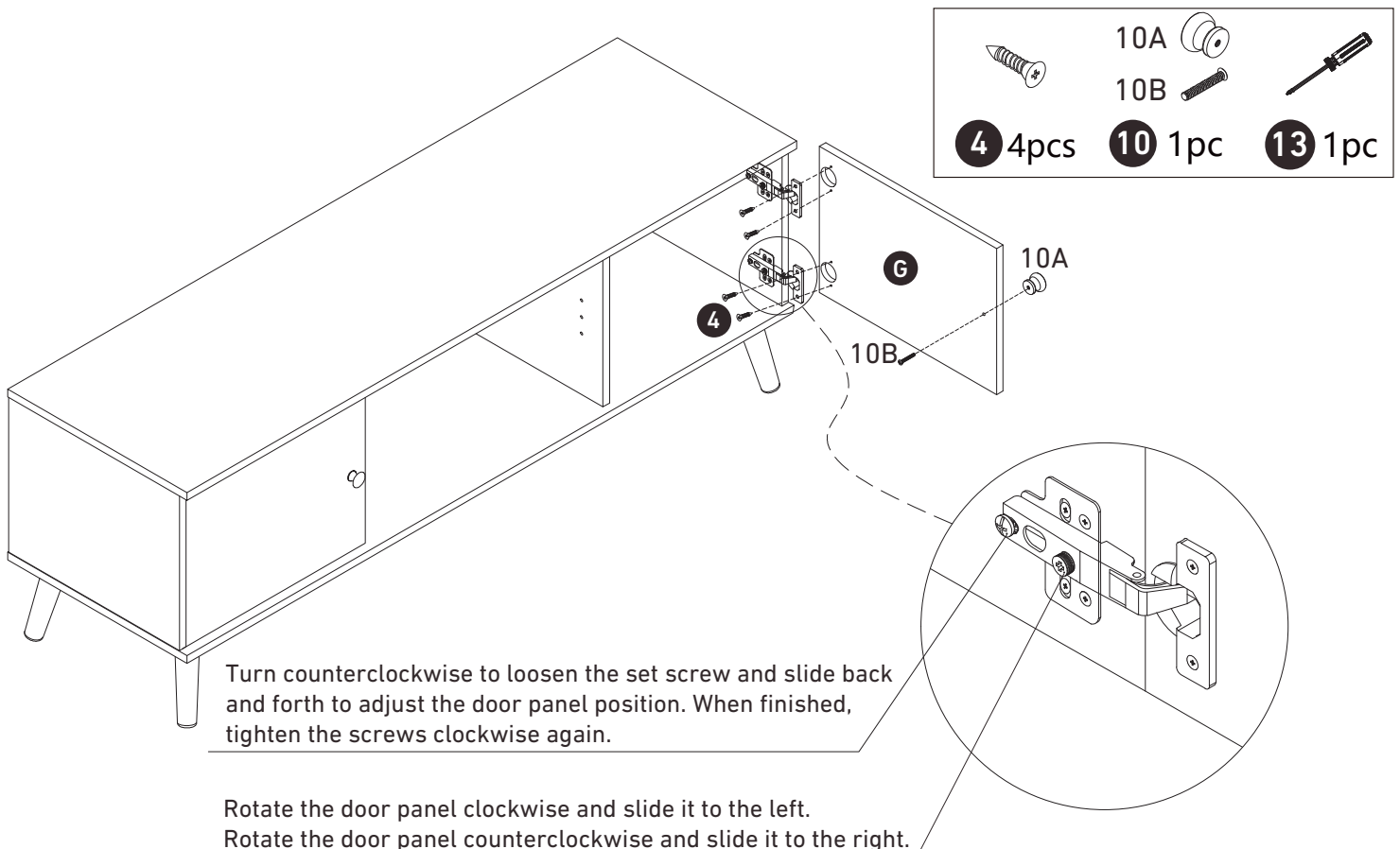
Step 9



Turn counterclockwise to loosen the set screw and slide back and forth to adjust the door panel position. When finished, tighten the screws clockwise again.

Rotate the door panel clockwise and slide it to the right.
Rotate the door panel counterclockwise and slide it to the left.

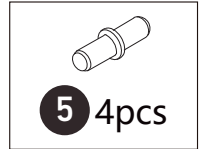
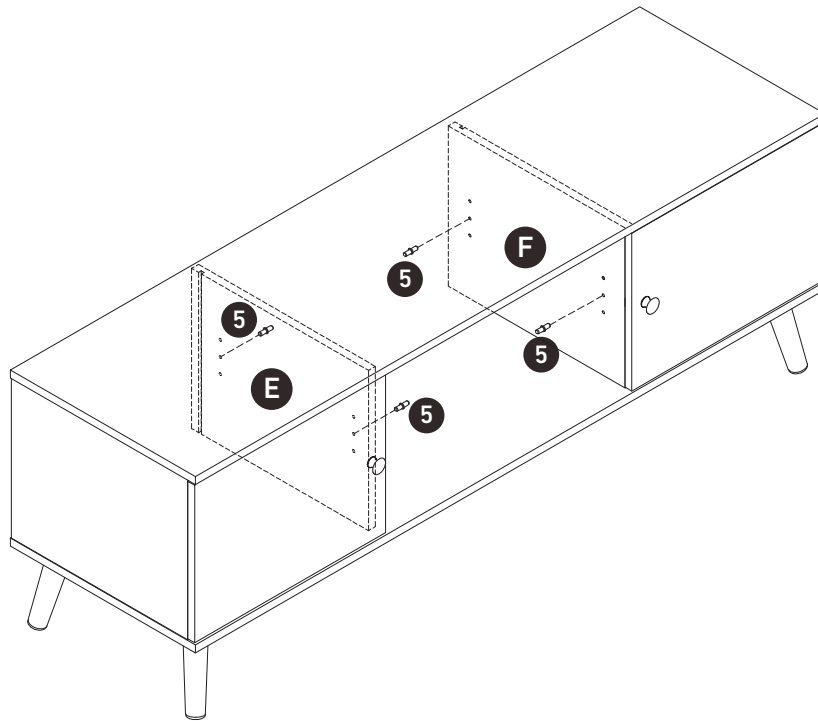
Step 10



Turn counterclockwise to loosen the set screw and slide back and forth to adjust the door panel position. When finished, tighten the screws clockwise again.

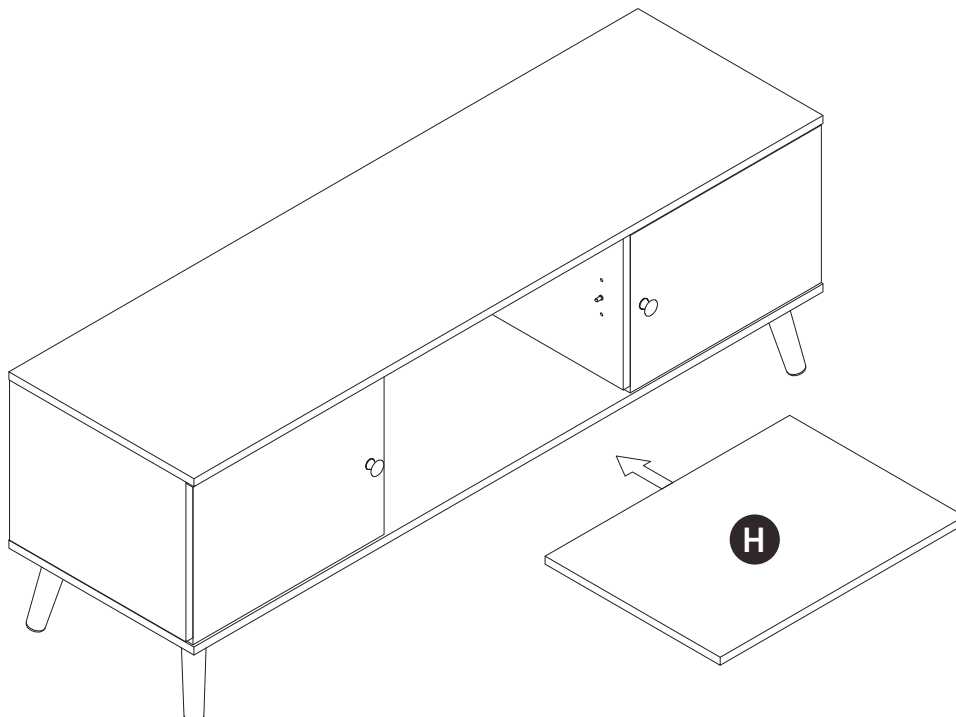
Rotate the door panel clockwise and slide it to the left.
Rotate the door panel counterclockwise and slide it to the right.

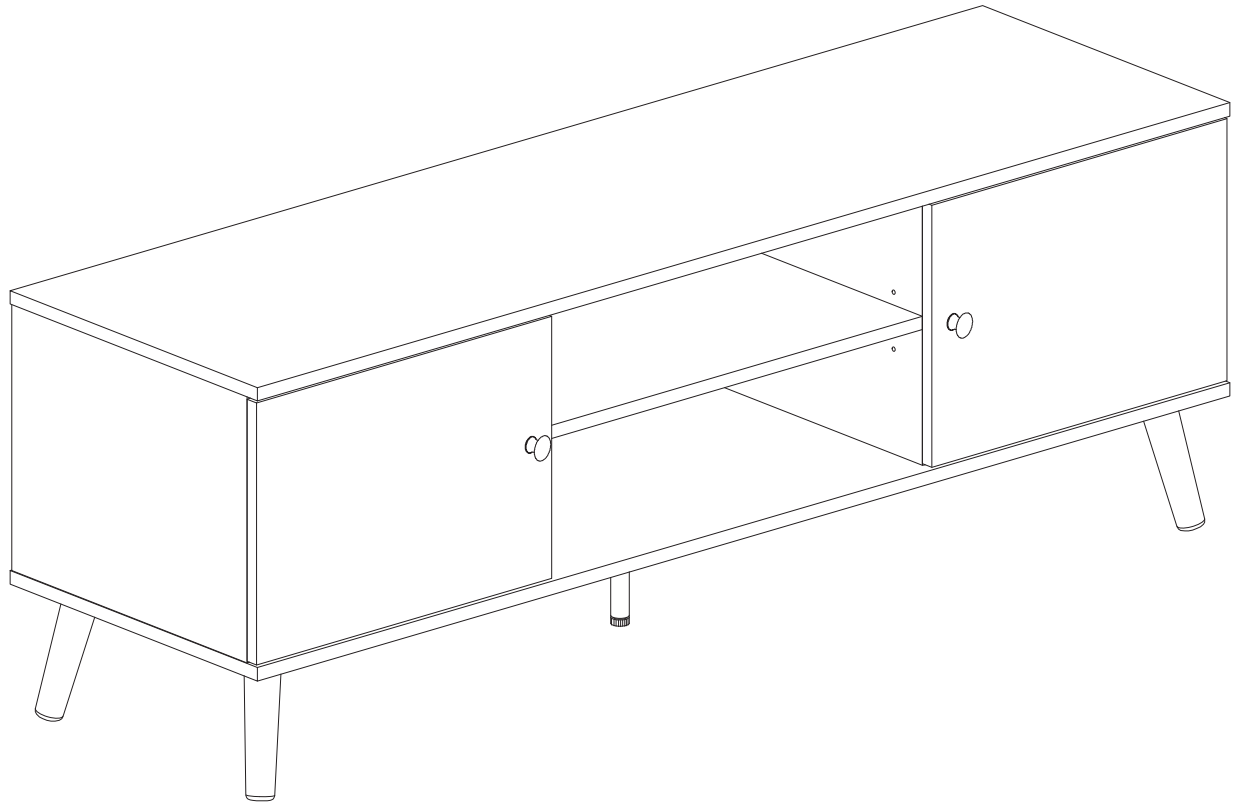
Step 11



The **E&F** board has 6 corresponding hole positions of 3 heights, which can be adjusted when installing adjust buckle **5**.

Step 12





Technical Support

(909)637-7665 | (909)637-7593

Other Info

HJ-Customer-Service@outlook.com

Thank you for choosing this product. We strive to provide you with the best quality products and services in the industry. Should you have any issues, please don't hesitate to contact us.