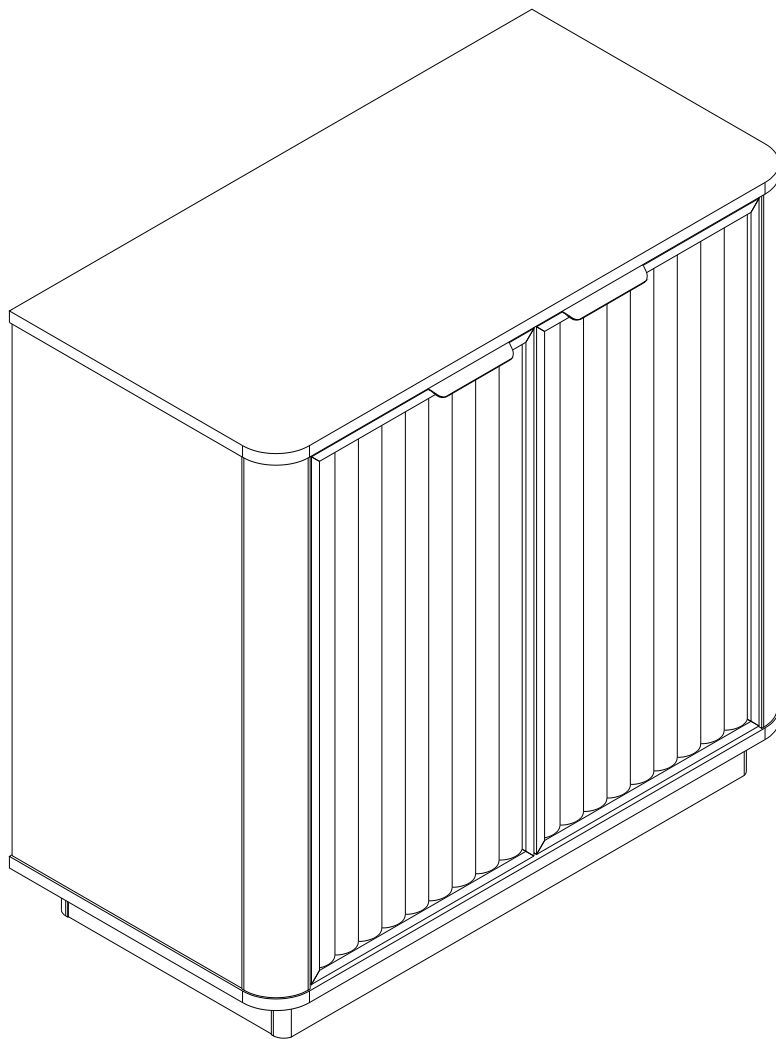
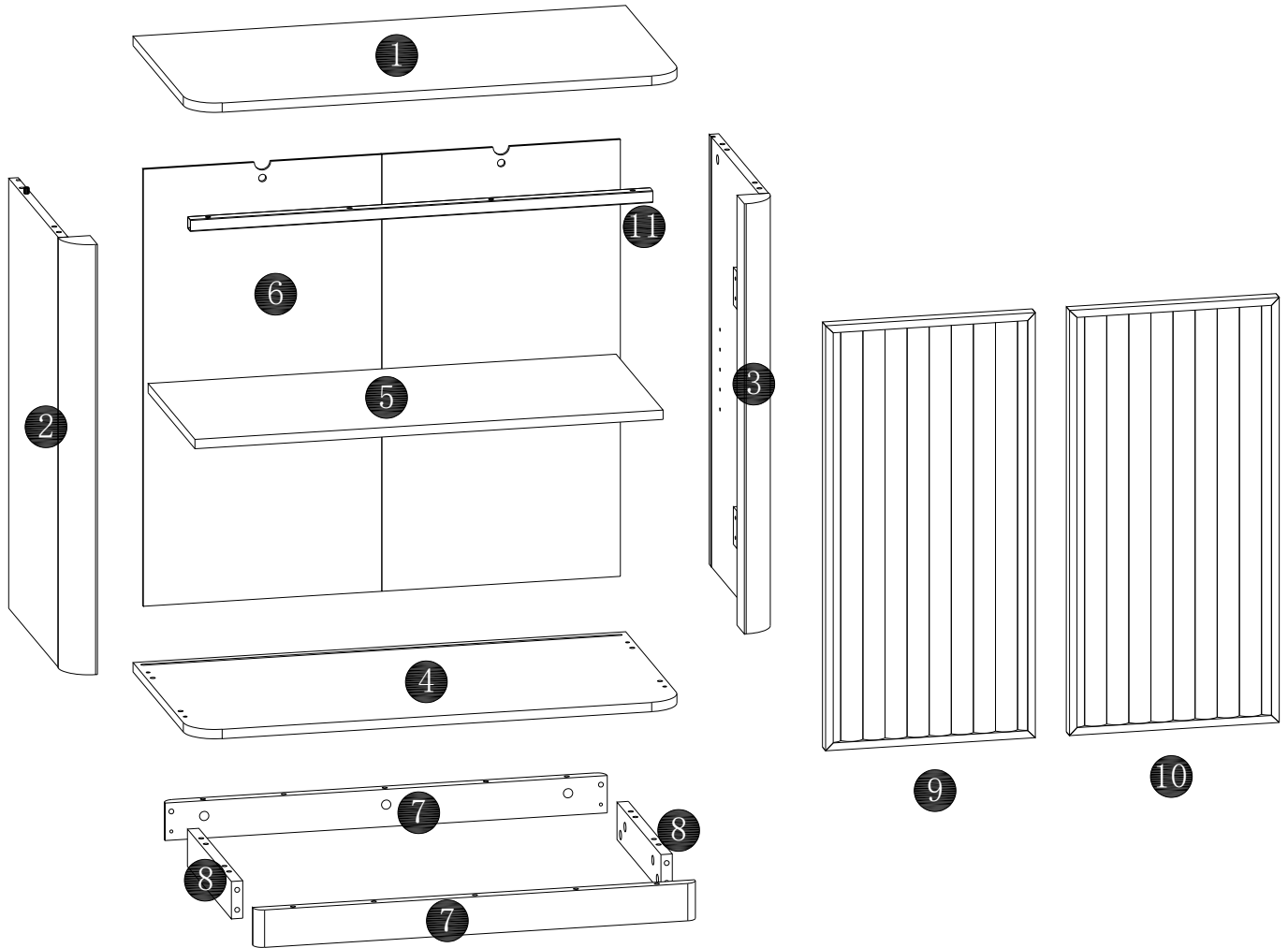


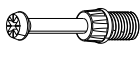

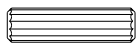
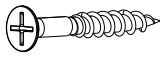

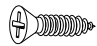
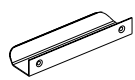
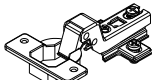
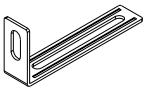
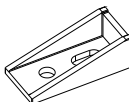

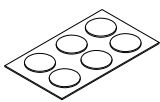
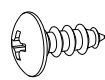
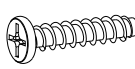
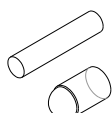

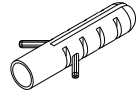

# ASSEMBLY INSTRUCTION

If there are any questions during the assembly process, please contact us at [cs@labcosi.com](mailto:cs@labcosi.com)  
An video and description about the step you were stucked will help us to understand the problem quickly

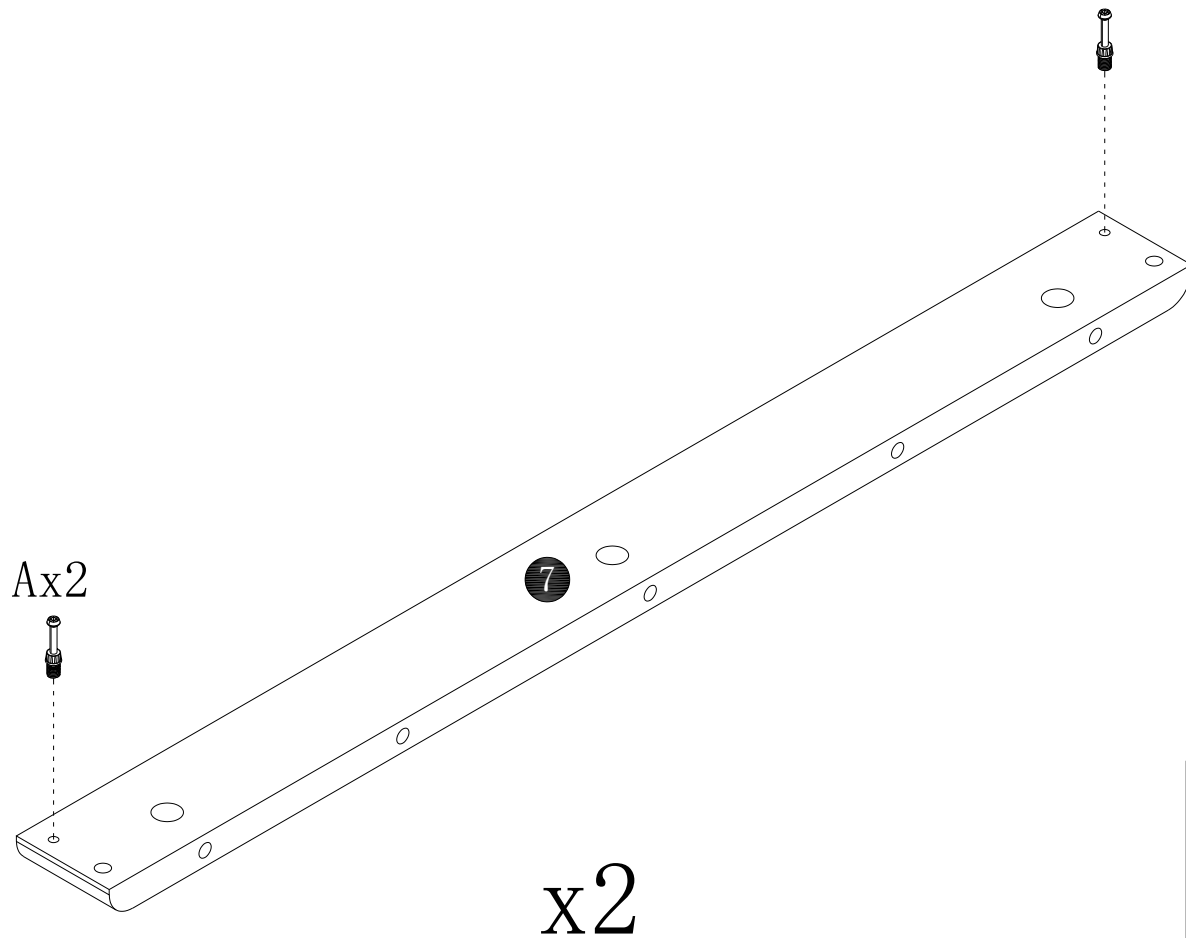


# ASSEMBLY INSTRUCTION



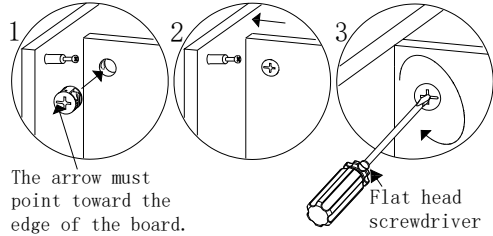
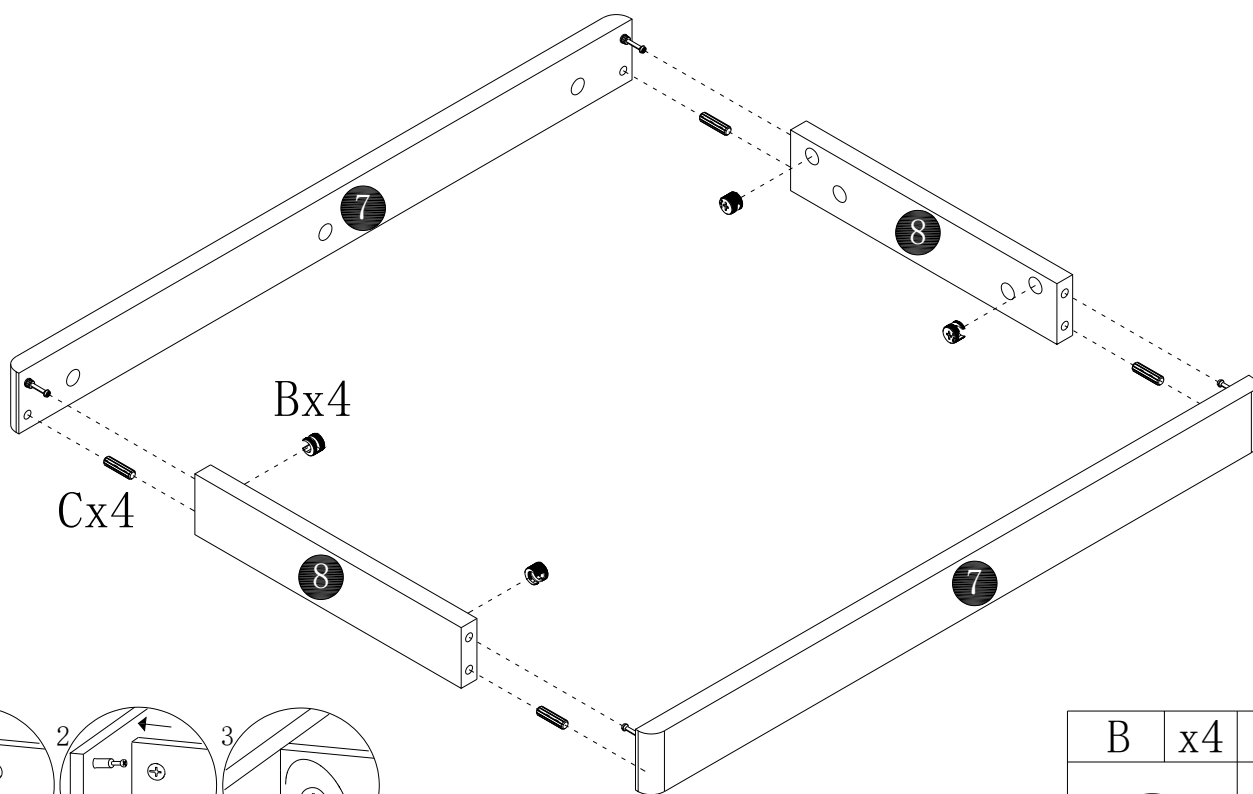
A x18	B x18	C x20	D x4	E x6	F x14	G x2	H x4	I x2
								
M6x35mm	φ15mm	φ8x30mm	M5x38mm		M3.5x16mm			
J x2	K x4	L x2	M x8	N x4	O x4	P x2	Q x2	R x4
								
	M3.5x12mm	φ25	M3.5x14mm	M6x28mm		M5x38mm		

1



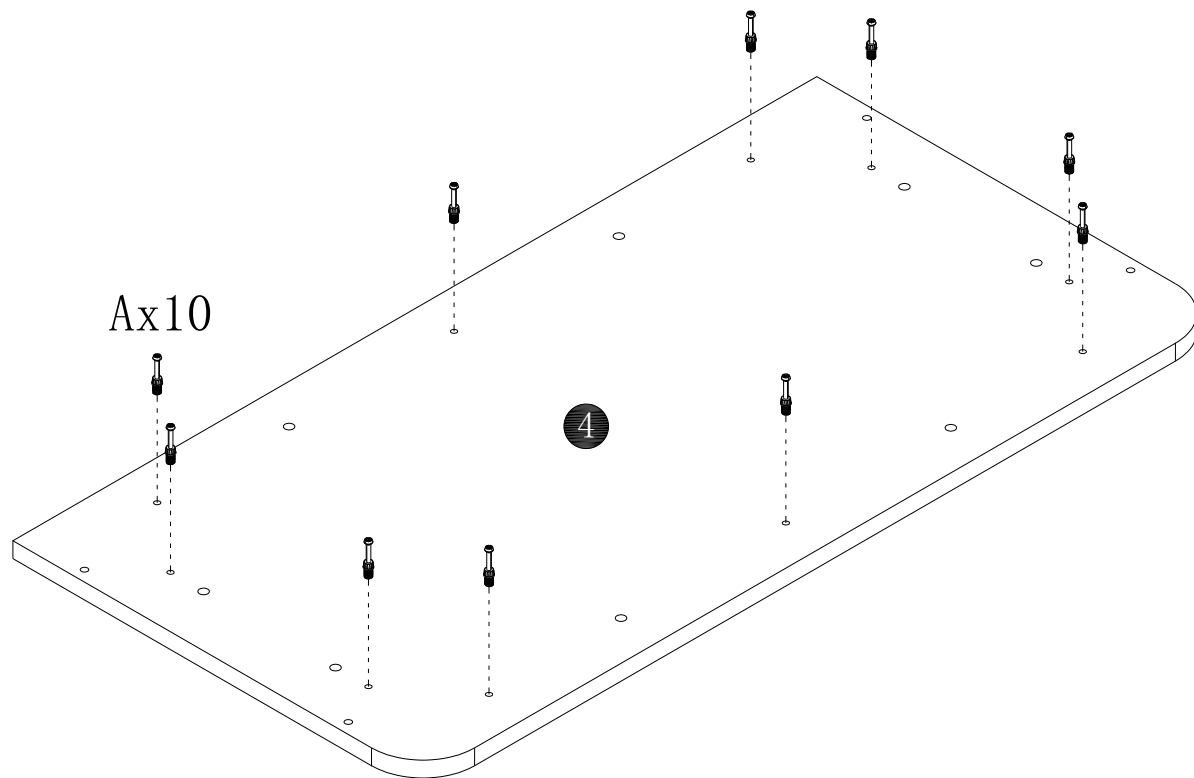
A	x4
M6x35mm	

2



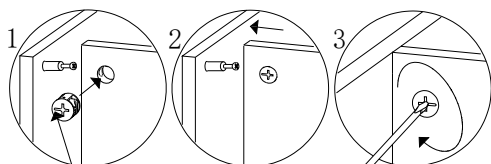
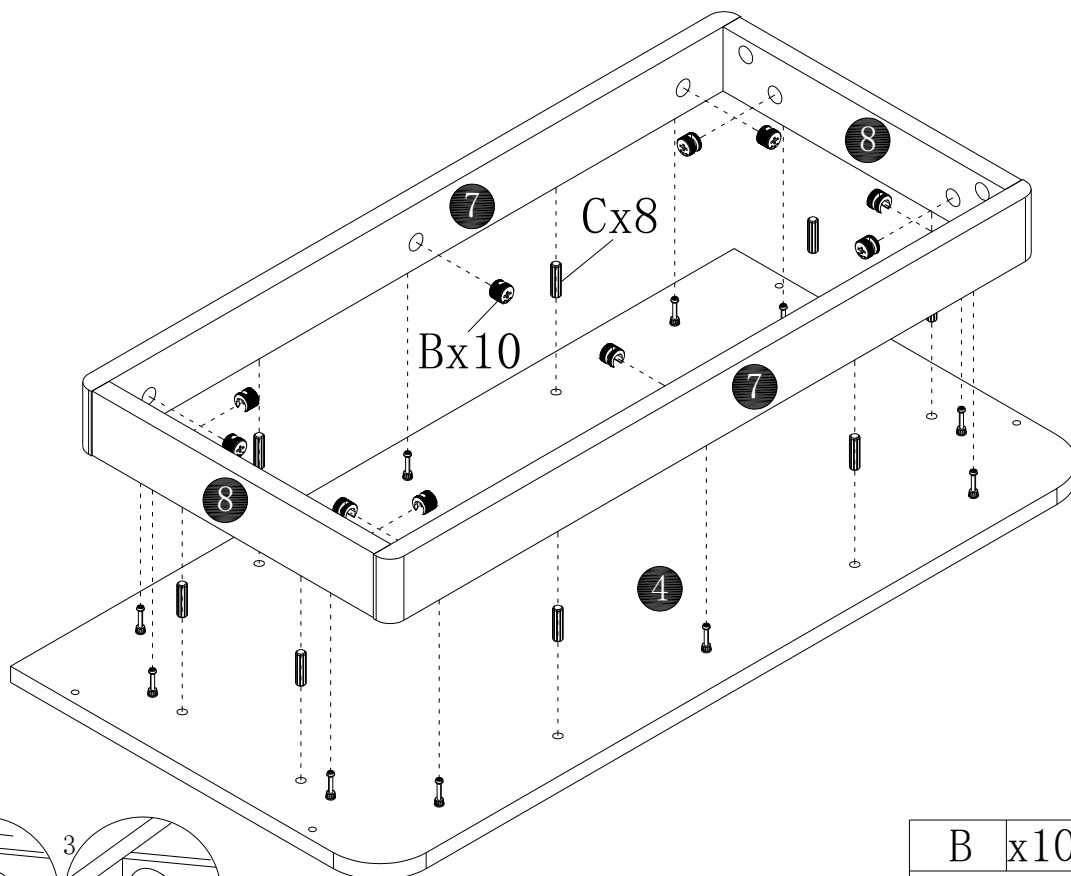
B	x4	C	x4
Ø15mm		Ø8x30mm	

# 3



A	x10
M6x35mm	

# 4

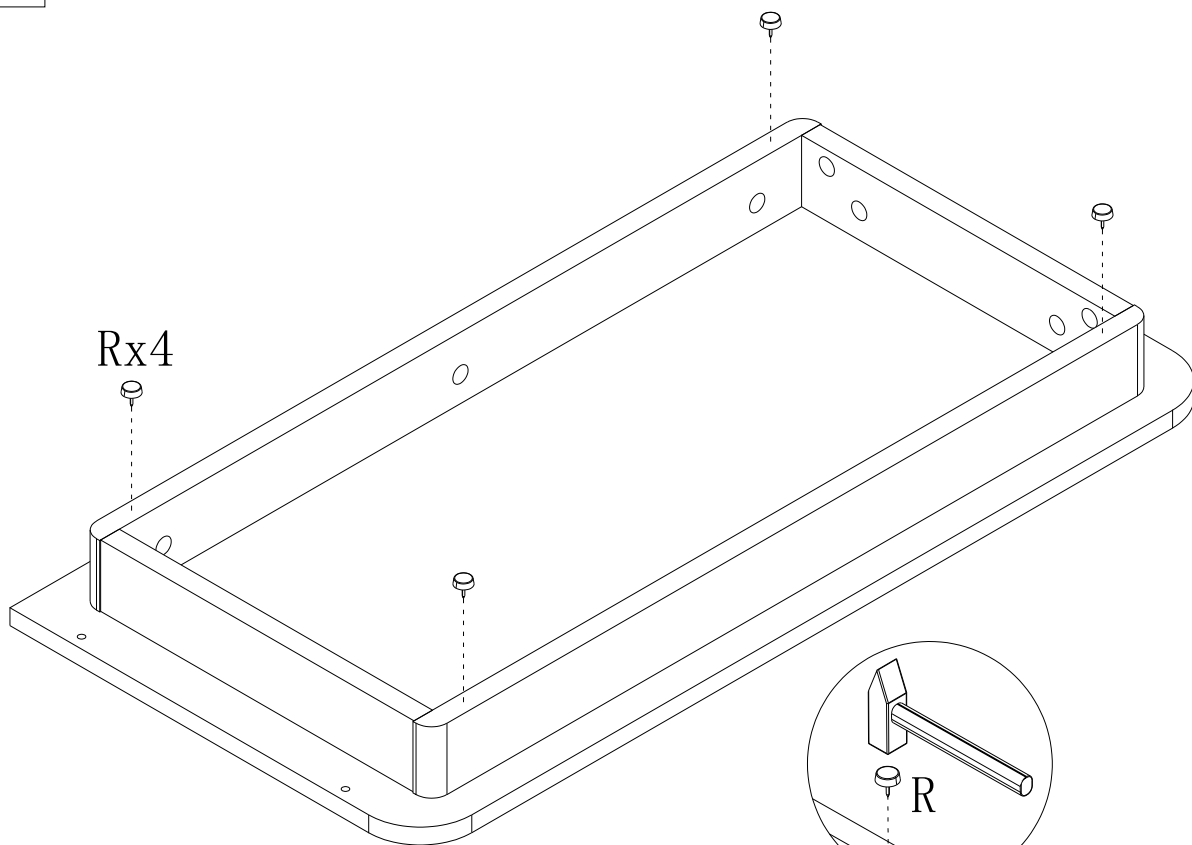


The arrow must point toward the edge of the board.

Flat head screwdriver

B	x10	C	x8
φ15mm		φ8x30mm	

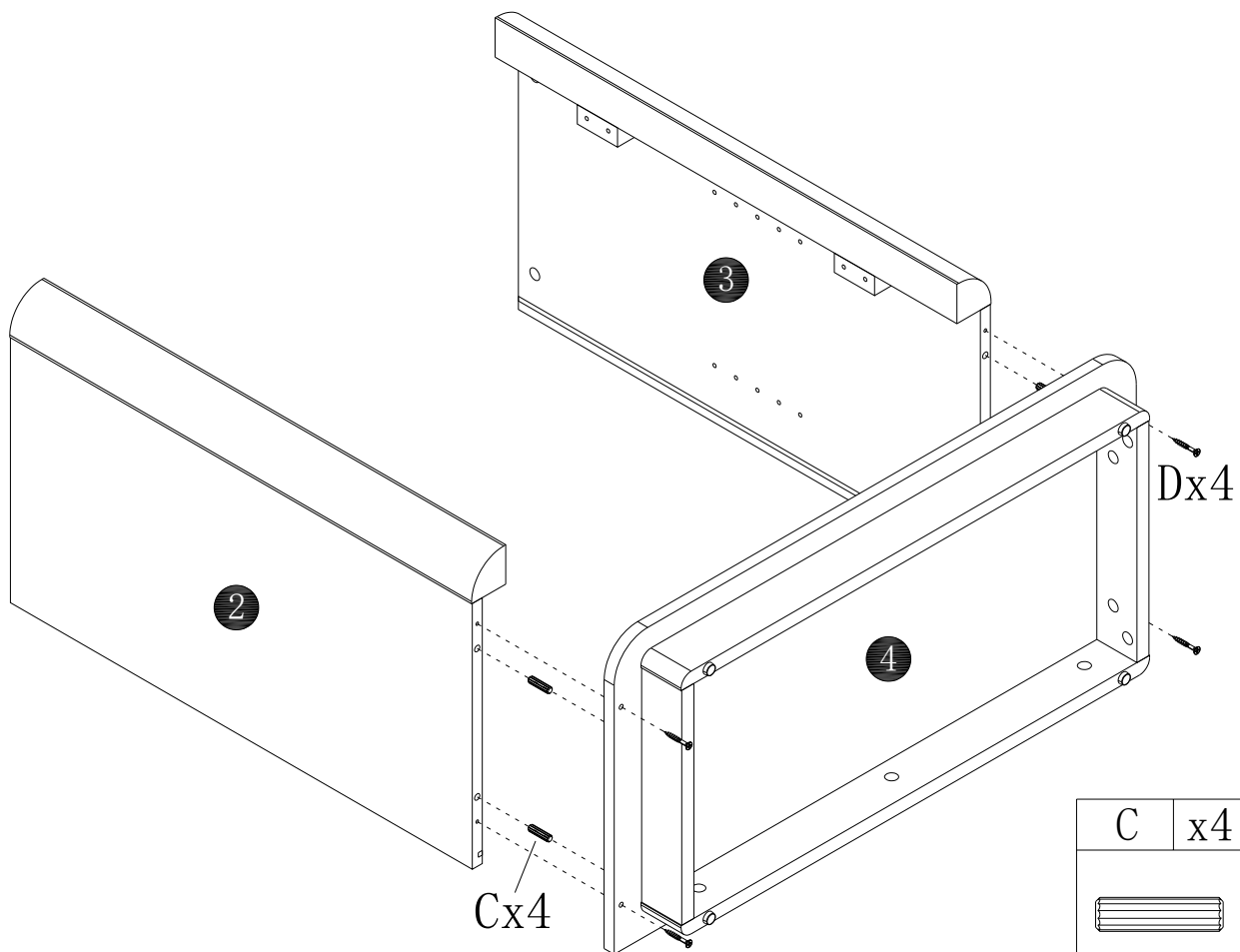
5



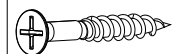
R x4



6



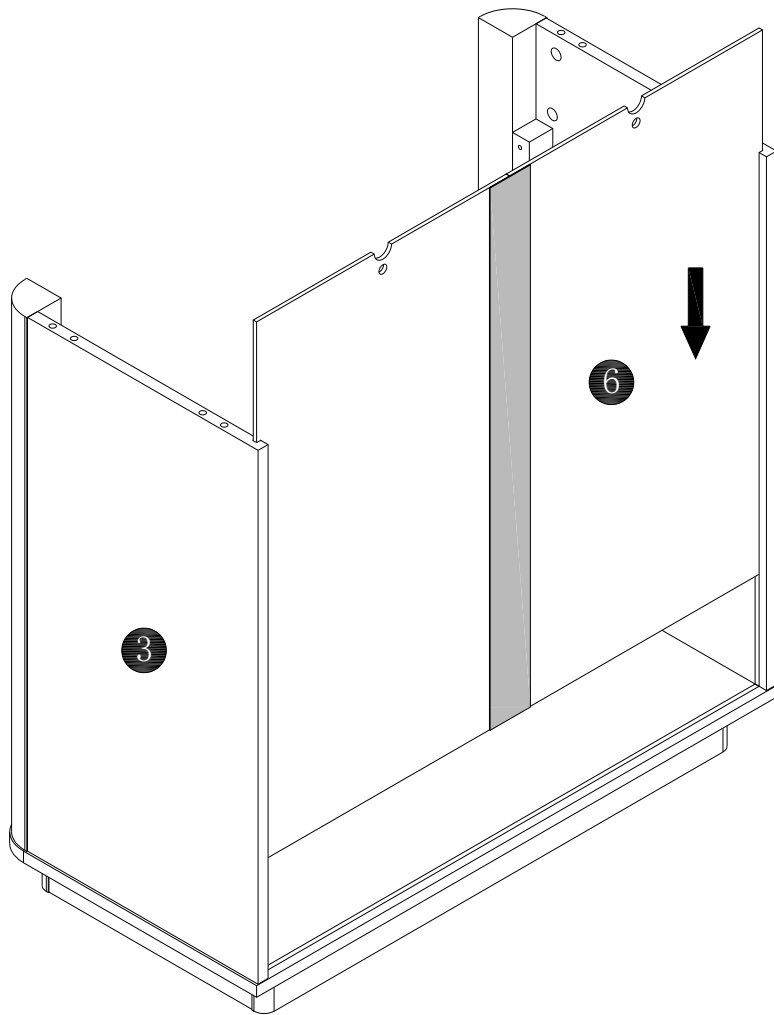
C x4 D x4



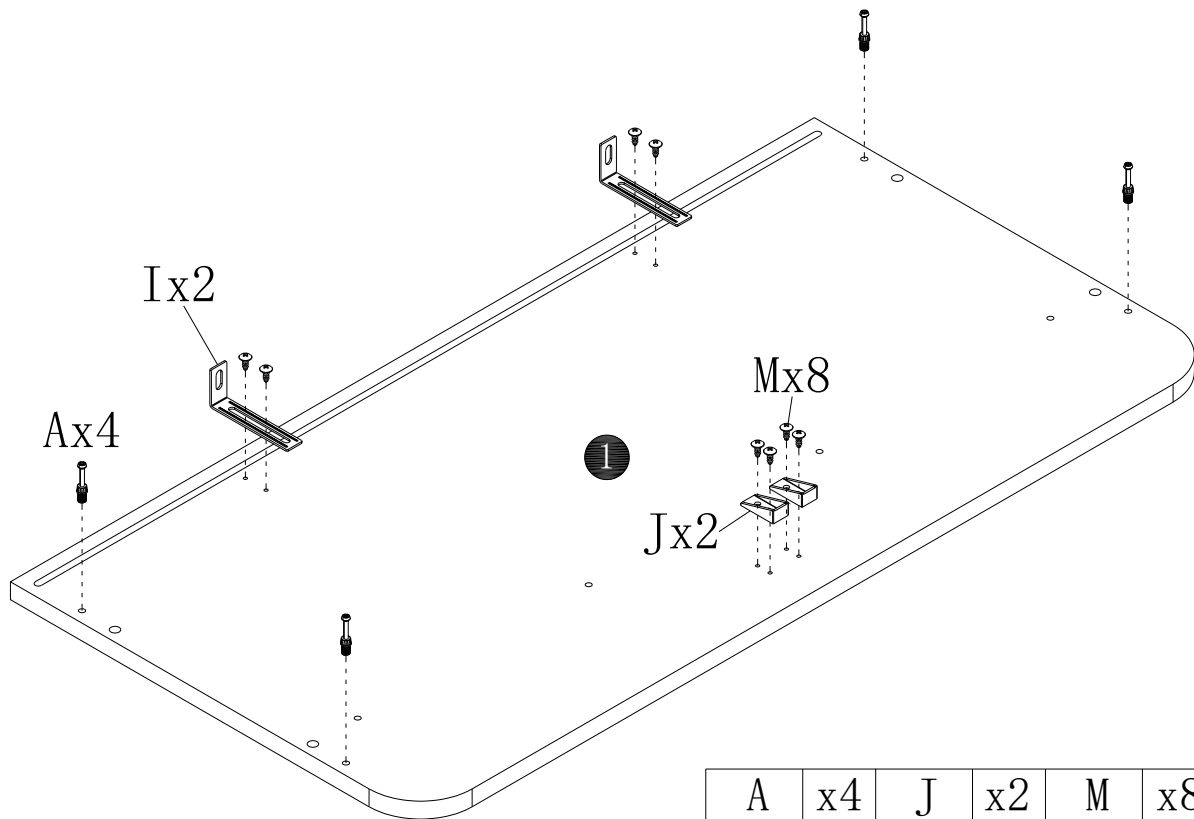
Ø8x30mm

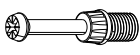
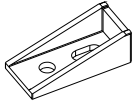
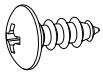

M5x38mm

7

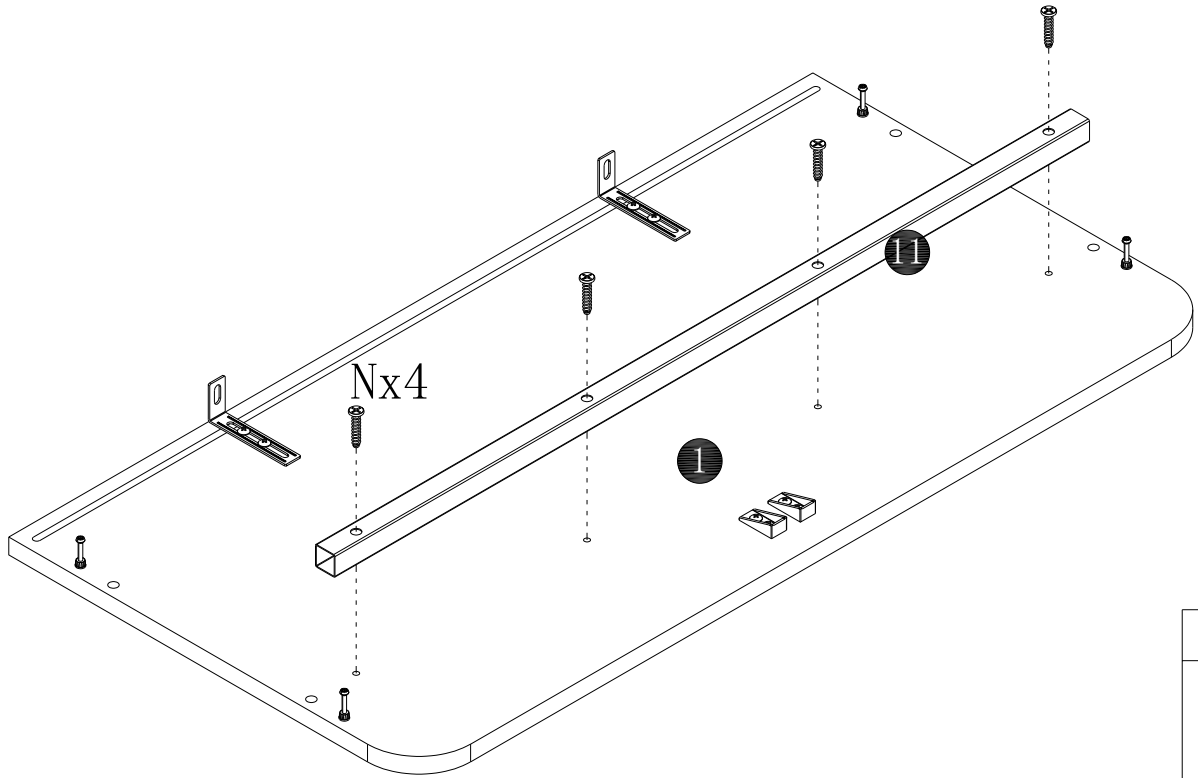



8



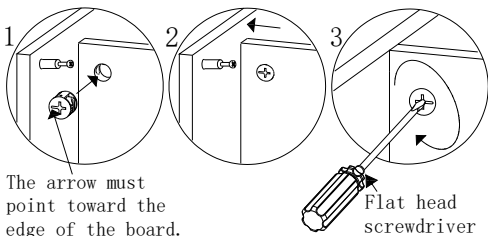
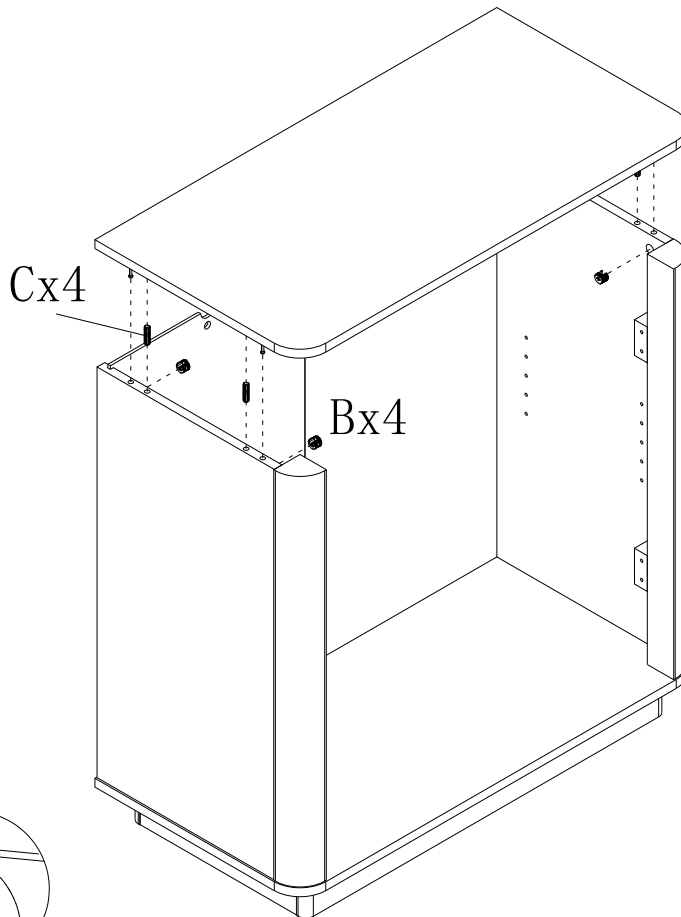
A	x4	J	x2	M	x8	I	x2
							
M6x35mm				M3.5x14mm			



9



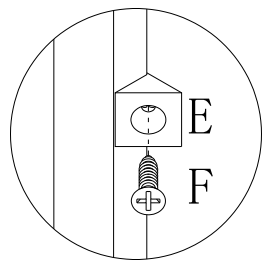
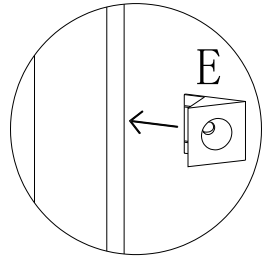
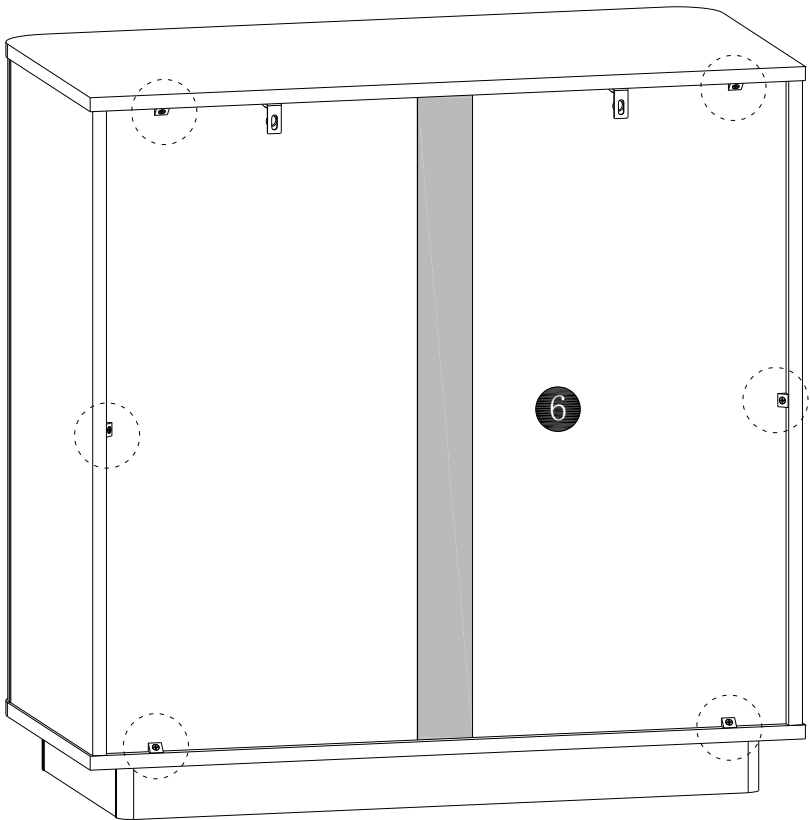
N	x4
	
M6x28mm	

10



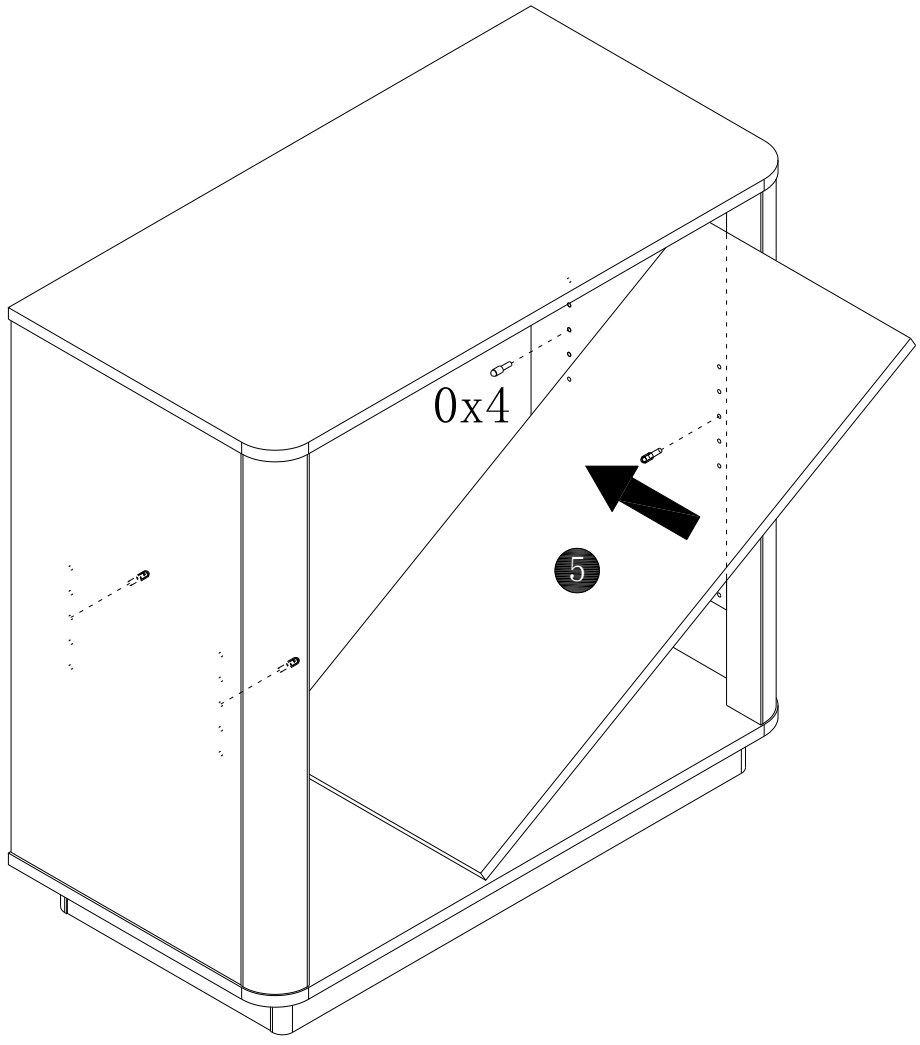
B	x4	C	x4
			
φ15mm		φ8x30mm	

11



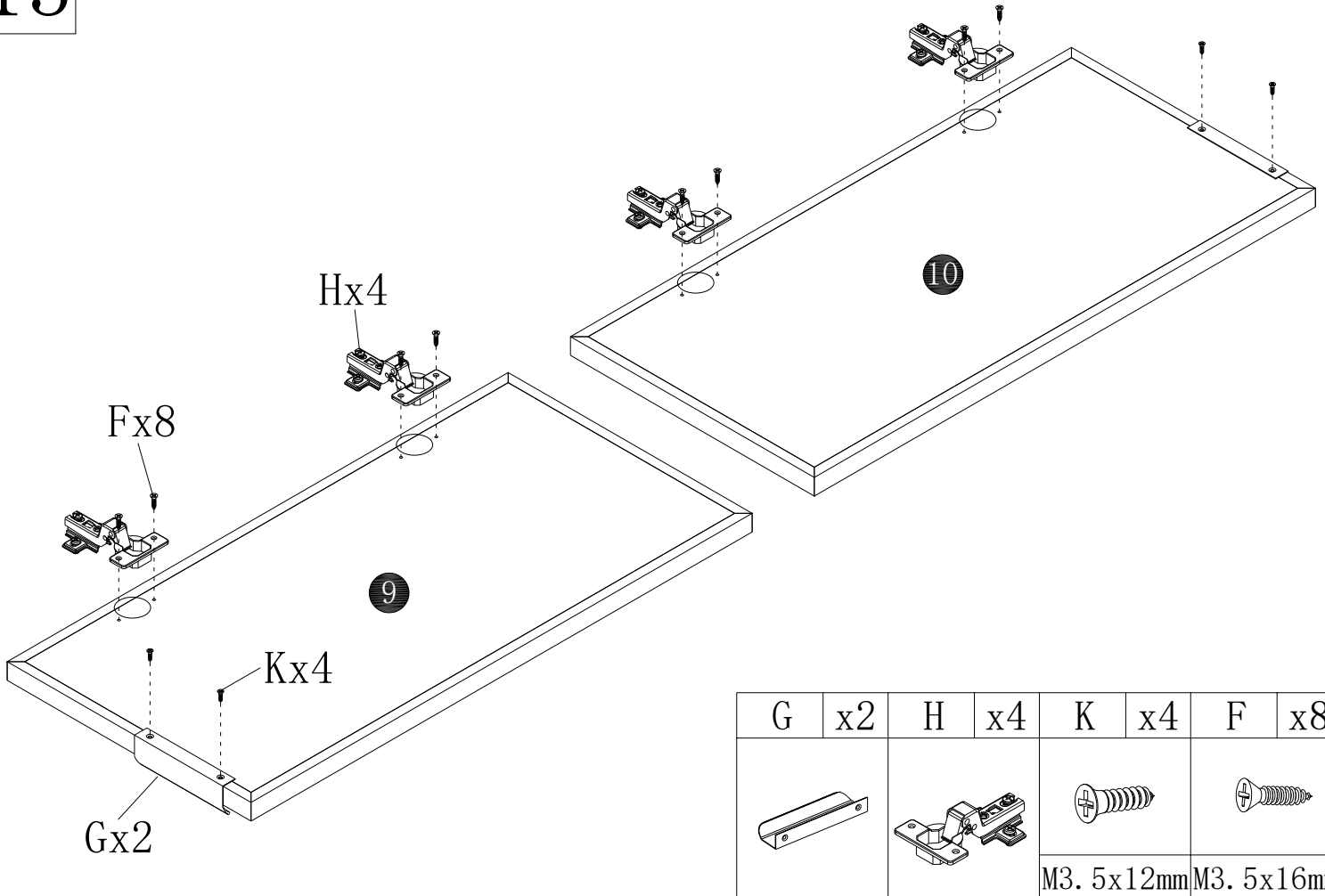
E	x6	F	x6
M3. 5x16mm			

12

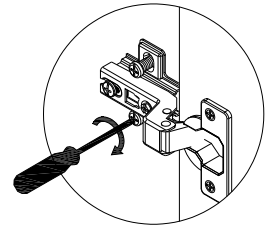
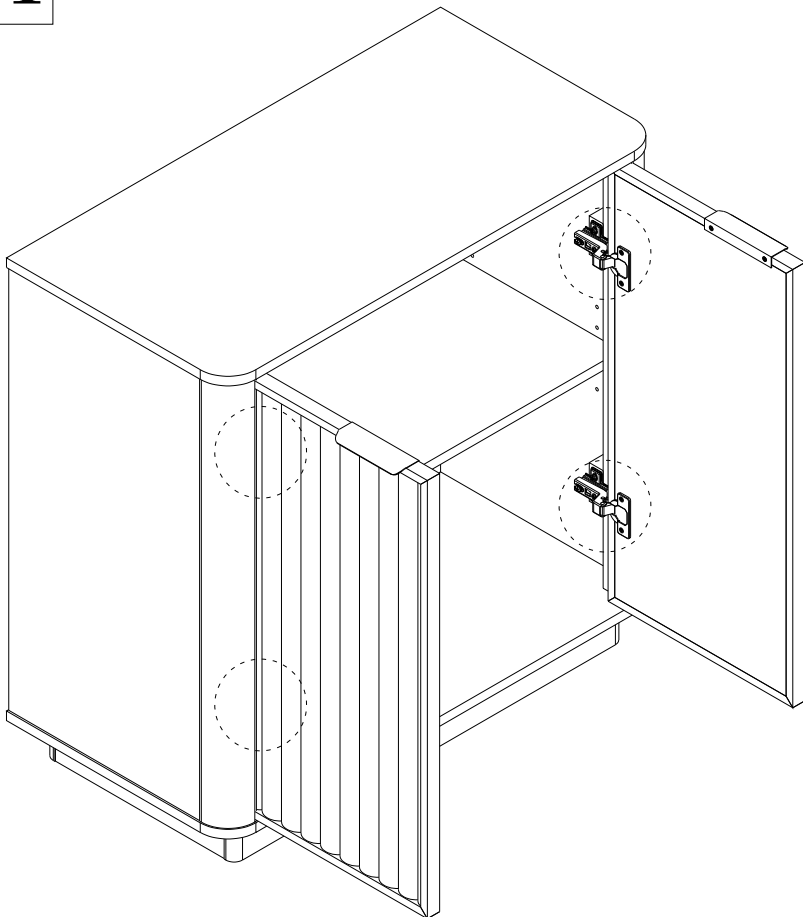


0	x4

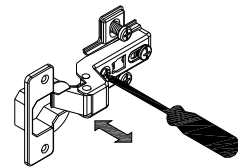
# 13



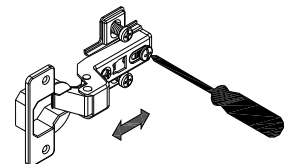
# 14



Align the screws with the reserved holes, adjust the position of the door up and down, and then tighten the screws.

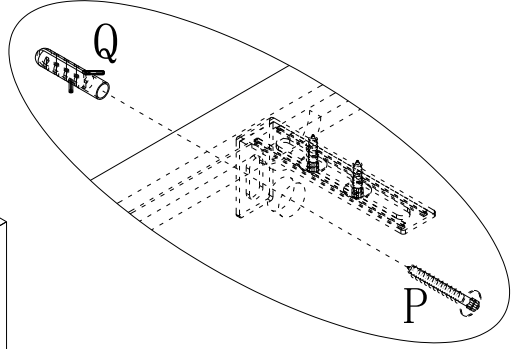
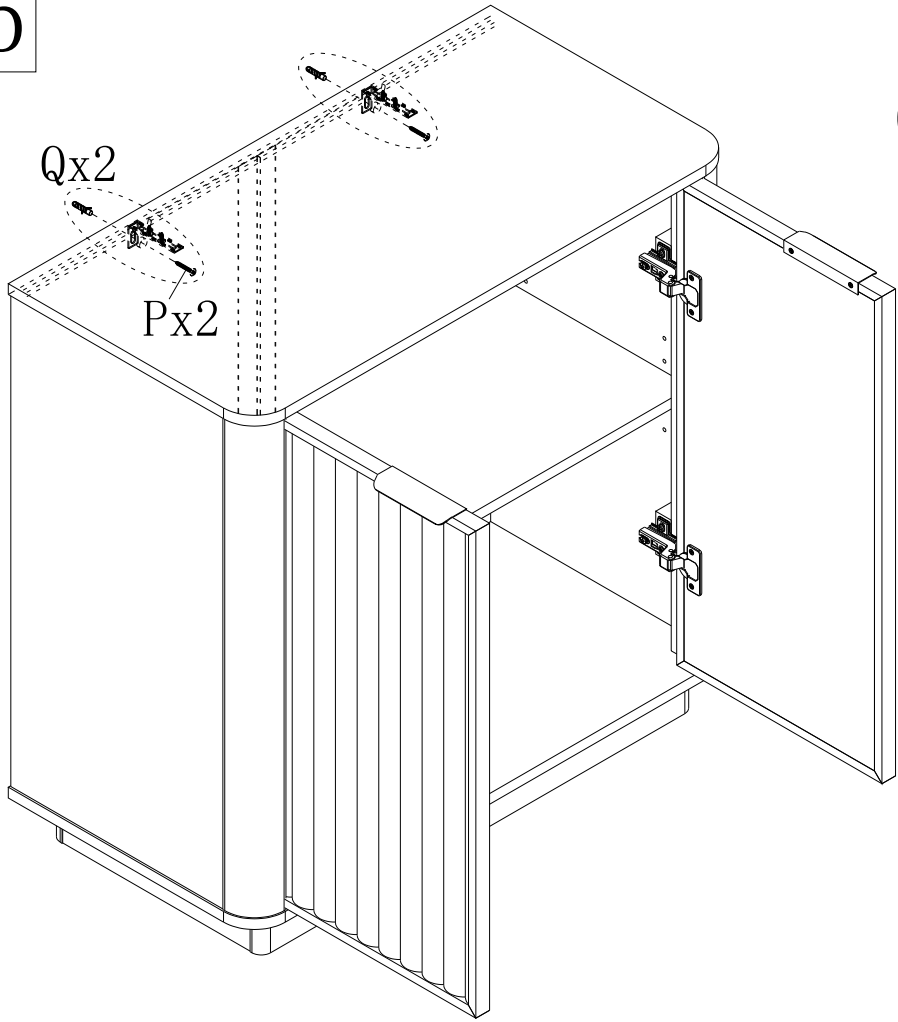


Adjust the left and right position of the door by rotating the screws counterclockwise or clockwise.



Loosen the screws, move the position of the door forward and backward. Then tighten the screws.

15



L	x2	P	x2	Q	x2
Ø25		M5x38mm			

16

