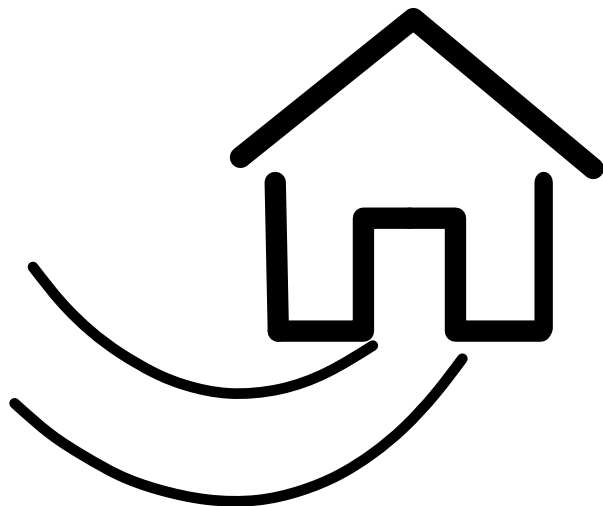


# HAPPINESS HAPPINESS INSTALLATION



## **CAUTION**

Parts are placed at the bottom of the product.

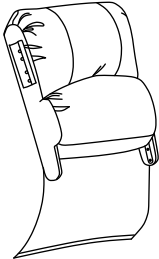
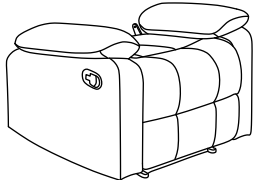
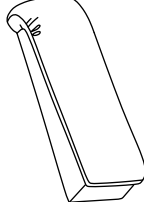
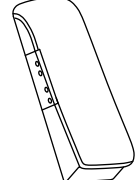
- If you have any questions with the product, please contact us

# Assembly Instructions

ged in one box. Carefully remove all of components from the packaging and set aside for assembly.

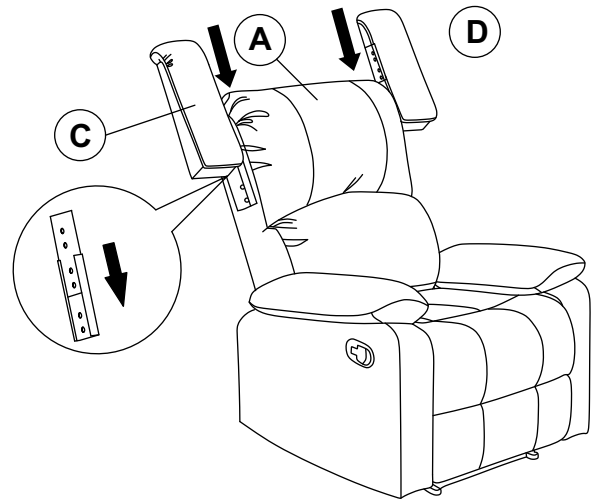
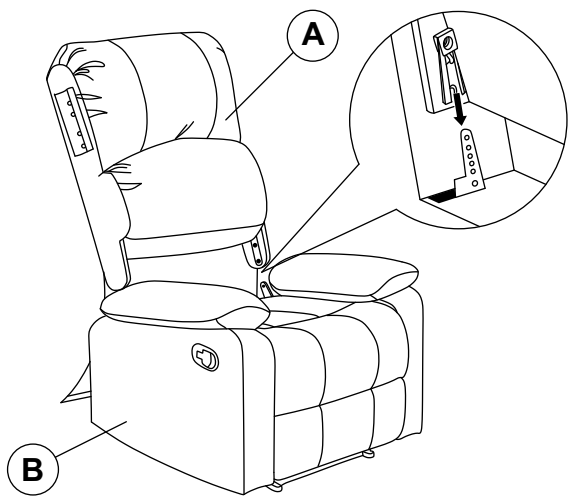
**CAUTION:**  
**DO NOT** use any sharp objects to open plastic wrapped components as damage to product or components may result.

## Package Contents

			
<b>A BACKREST</b>	<b>x1 B SEAT BODY</b>	<b>x1 C LEFT EAR</b>	<b>x1 D RIGHT EAR</b>

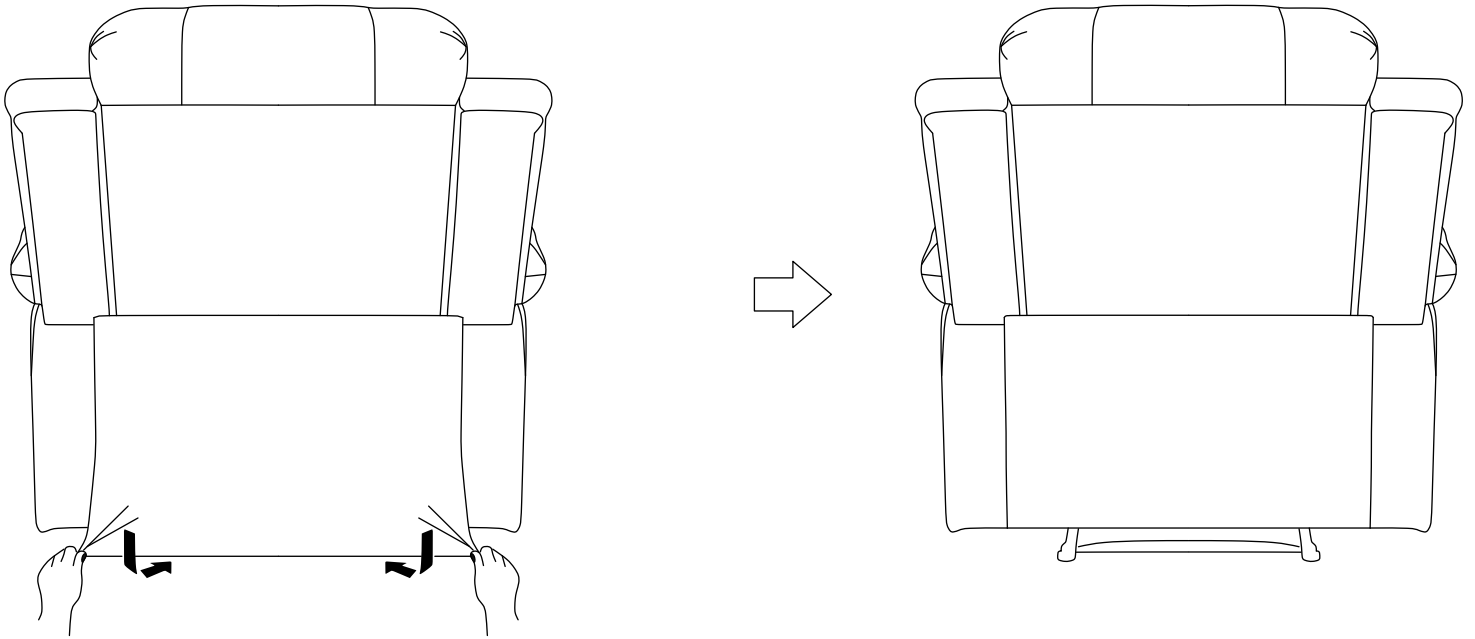
**STEP 1:** Attach Backrest (A) to Seat Body (B).

**STEP 2:** Attach Left (C) and Right Ear (D) to Backrest (A).

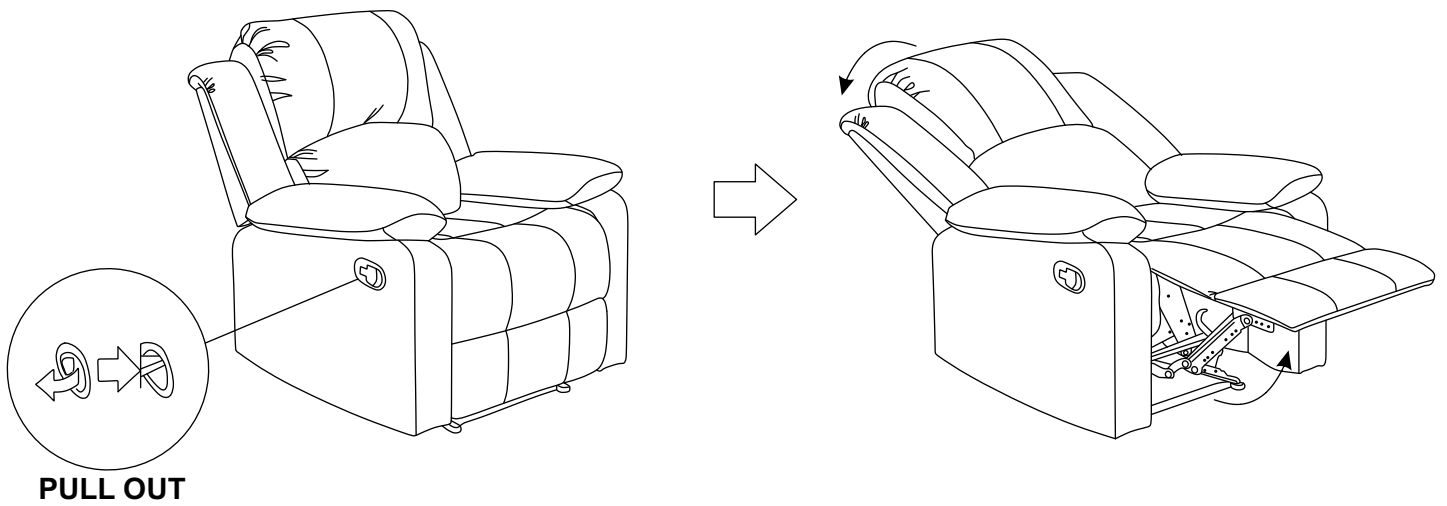


Ensure the backrest is fully inserted to the bottom along the metal slot to avoid tilting or moving. And please not sit on the armrests for the user's safety.

**STEP 3:** Cover back of Seat Body with velcro.



**\* Adjust backrest & footrest**



Ensure the backrest is fully inserted to the bottom along the metal slot to avoid tilting or moving. And please not sit on the armrests for the user's safety.

## Warnings

1. Please check if the components of the chair are all included and can be used normally.
2. Assemble all components according to the instruction correctly before you connect the chair to the power.
3. Please **DO NOT** sit on the armrests or footrest to eliminate the risk of tipping over.
4. If the chair is damaged or doesn't match the website description, please send clear pictures of the product and label of the carton to our service team for further help.
5. If the recliner doesn't work, you may try the following measures for self-checking firstly:
  - a) Check if all the cables are connected;
  - b) Check if the light of transformer is on.If the chair still doesn't work, please feed the information back to our customer service in time and we'll help you solve the matter as soon as possible.
6. If you have any questions with the product, please contact us by:

