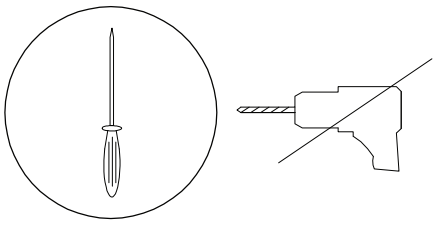

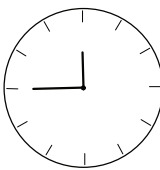
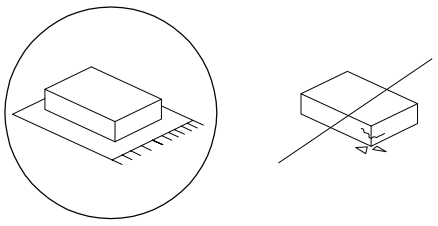

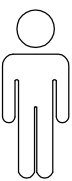
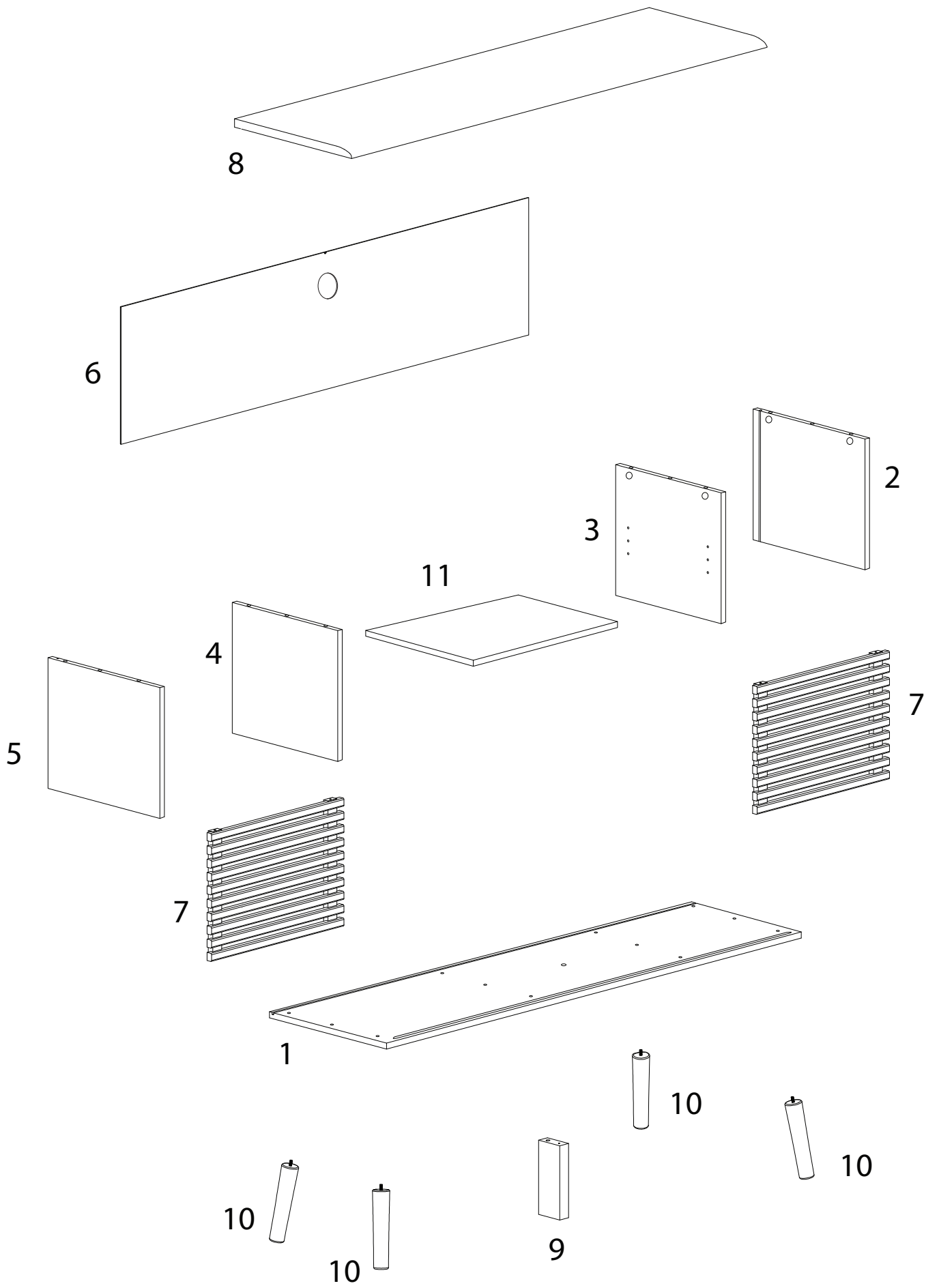
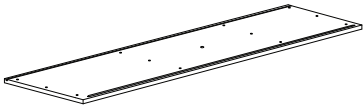


|   |   |   |
|---|---|---|
|  |  |  |
|   |   | <b>45'</b>  |
|  |  |  |
|   |   | <b>2</b>  |

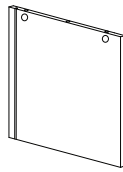


1



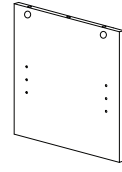
x 1

2



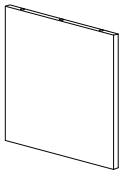
x 1

3



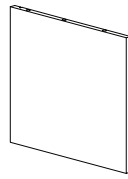
x 1

4



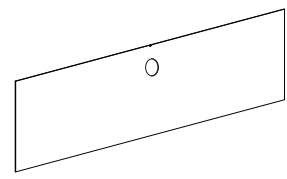
x 1

5



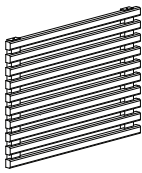
x 1

6



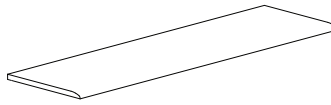
x 1

7



x 2

8



x 1

9



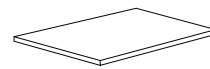
x 1

10



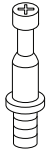
x 4

11



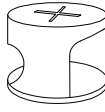
x 1

A



x 8

B



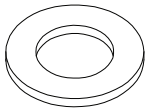
x 8

C



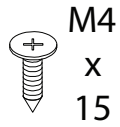
x 9

D



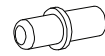
x 16

E



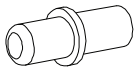
x 16

F



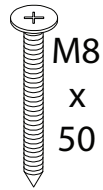
x 4

G



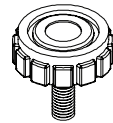
x 8

H



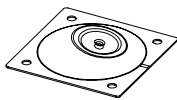
x 9

I



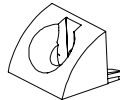
x 1

J



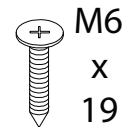
x 4

K



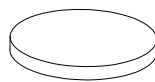
x 6

L



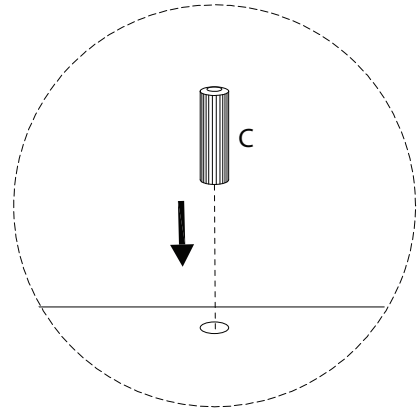
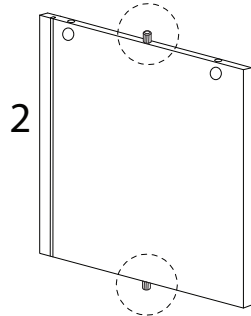
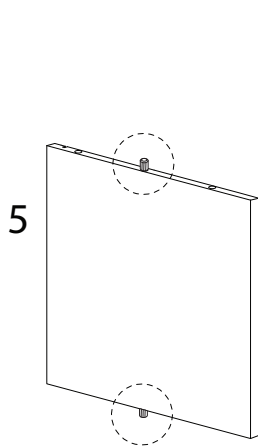
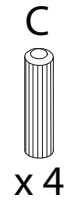
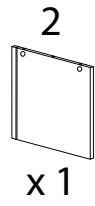
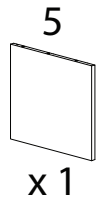
x 6

M

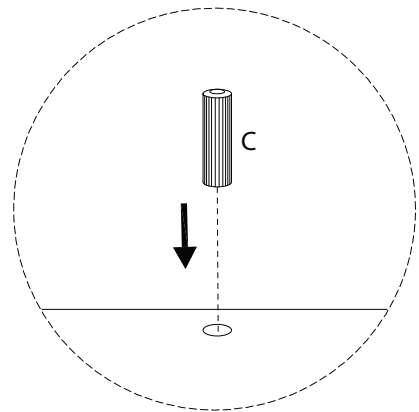
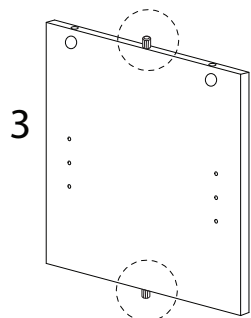
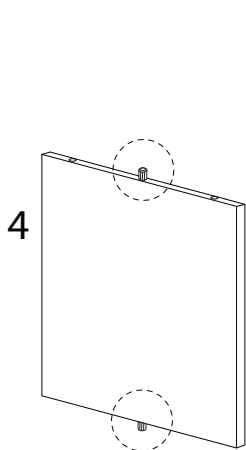
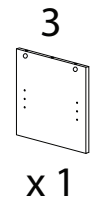
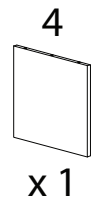


x 8

1

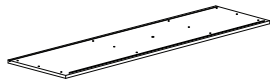


2



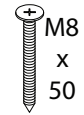
3

1

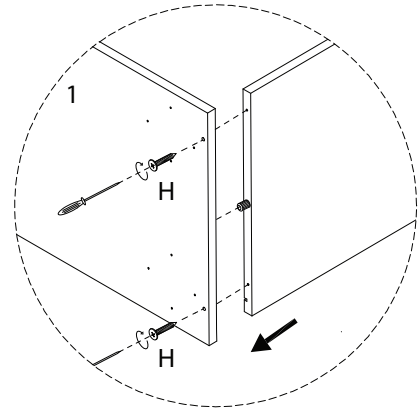
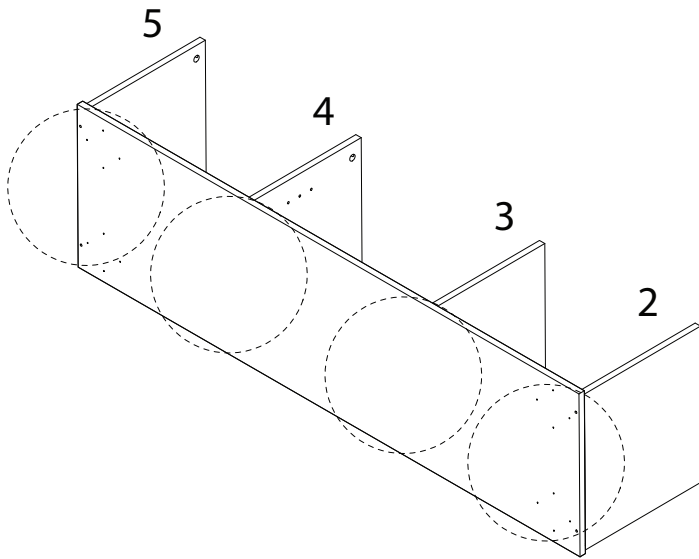


x 1

H

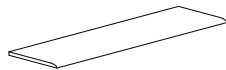


x 8



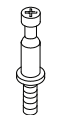
4

8

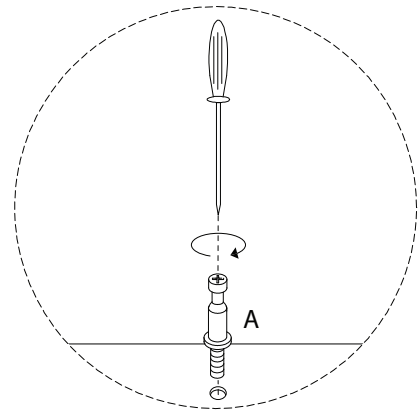
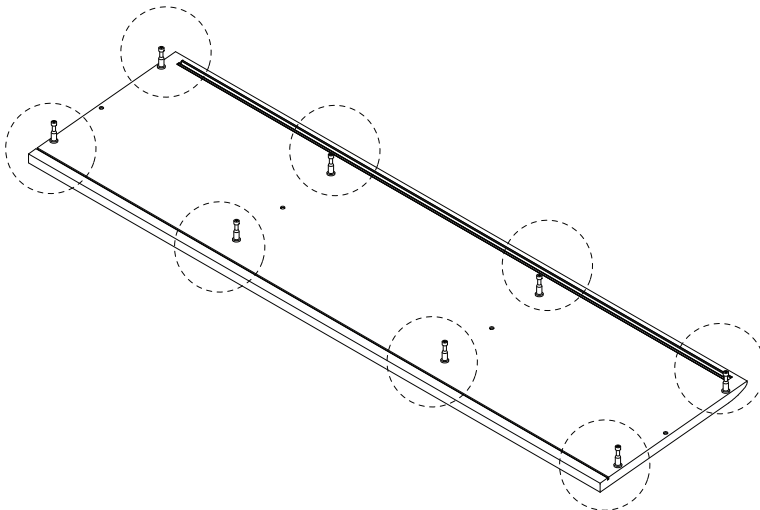


x 1

A



x 8



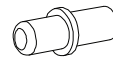
5 x 2

7

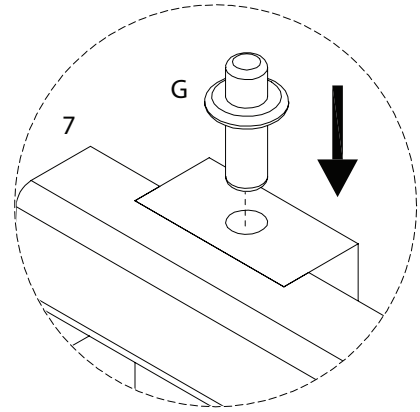
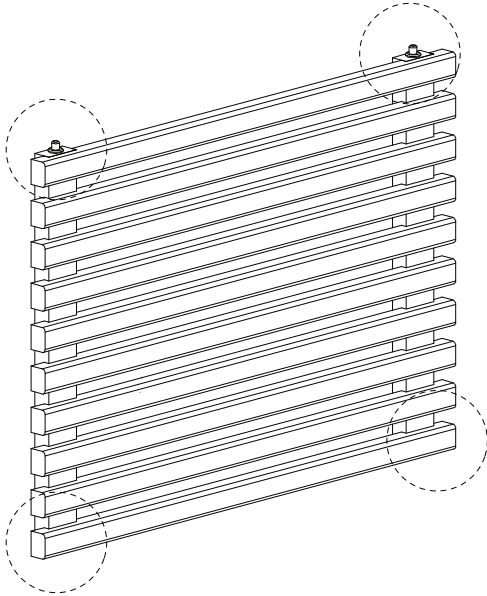


x 1

G

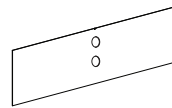


x 4

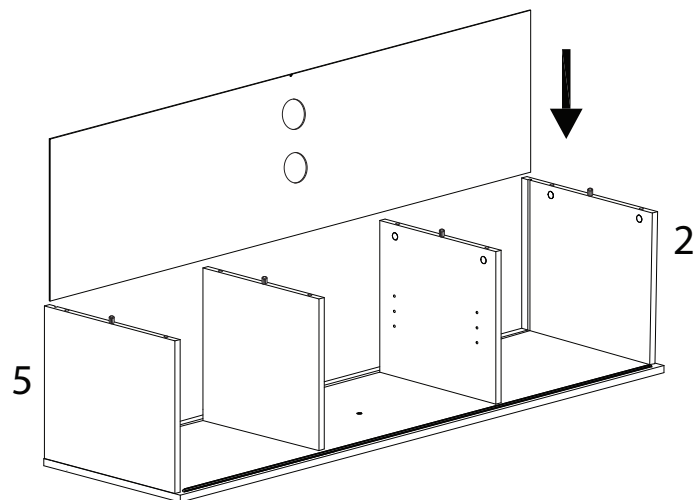


6

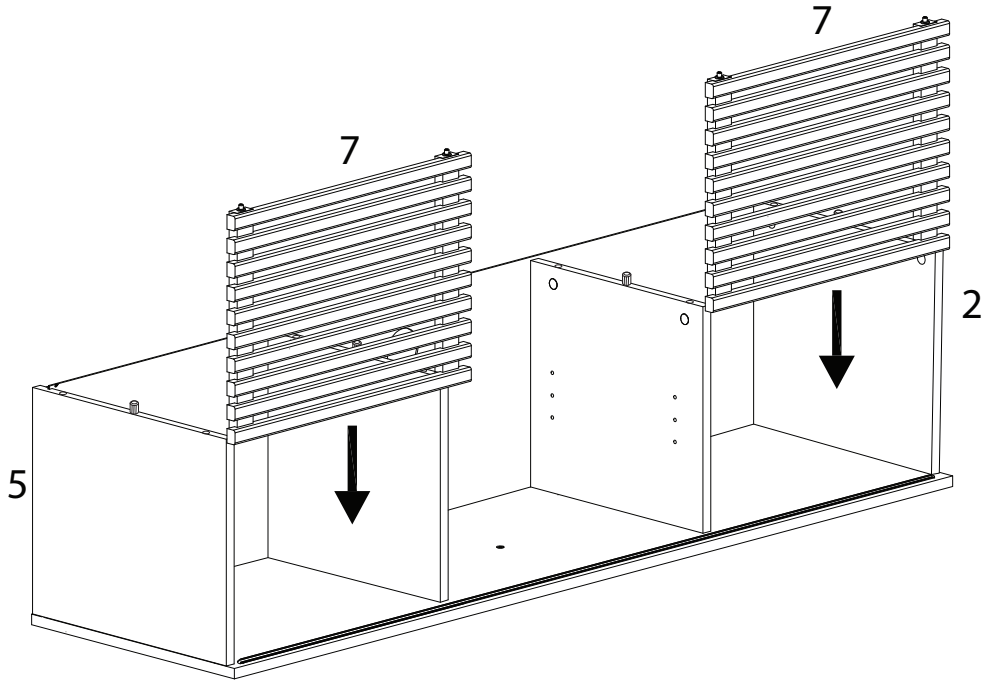
6



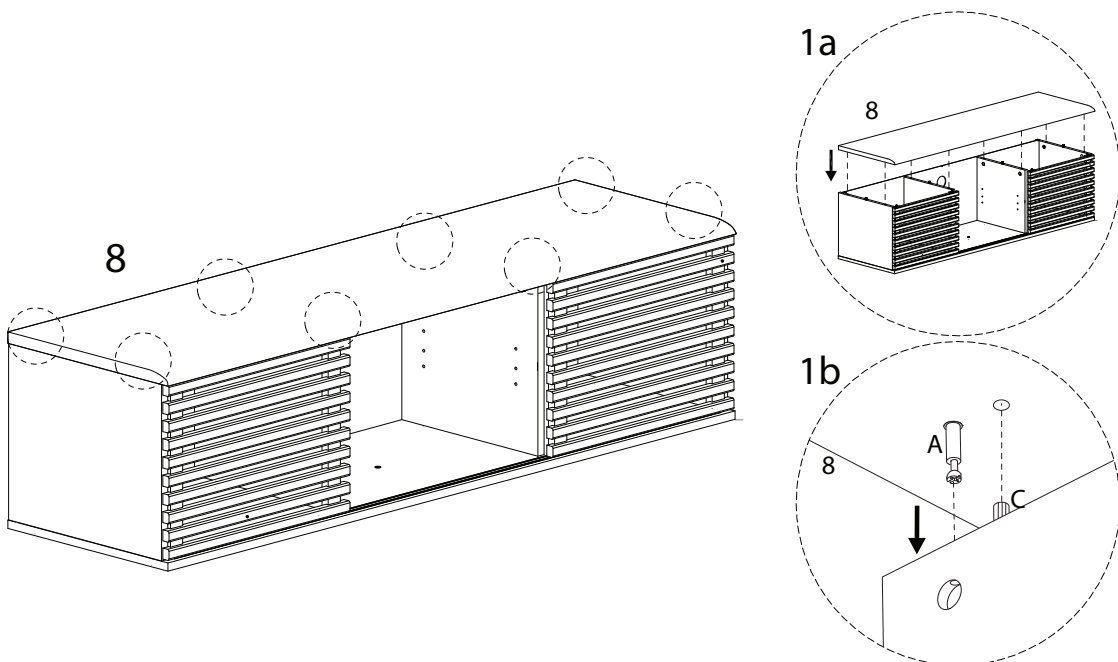
x 1



7

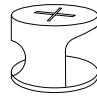


8

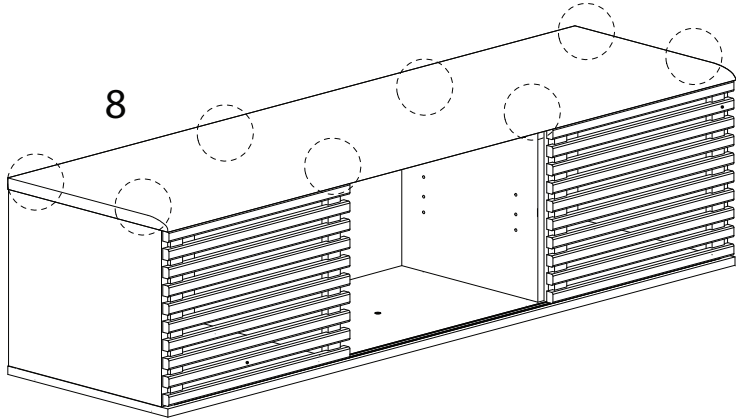


9

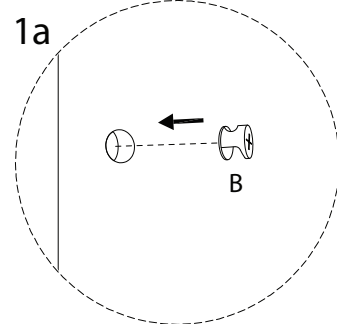
B



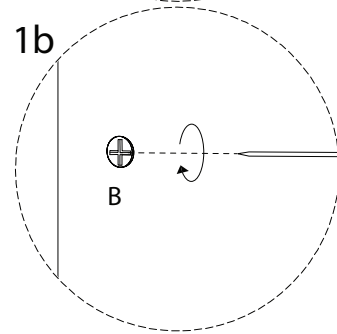
x 8



1a

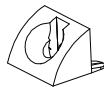


1b



10

K

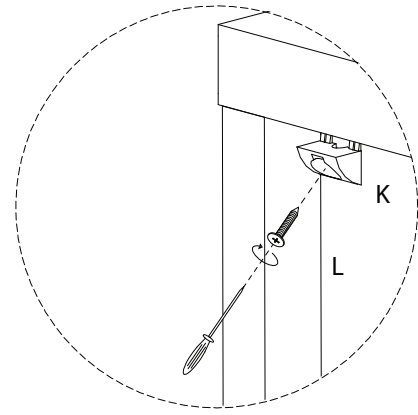
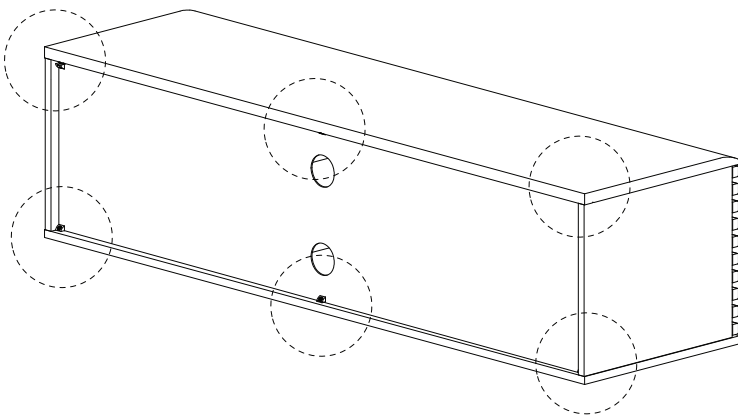


x 6

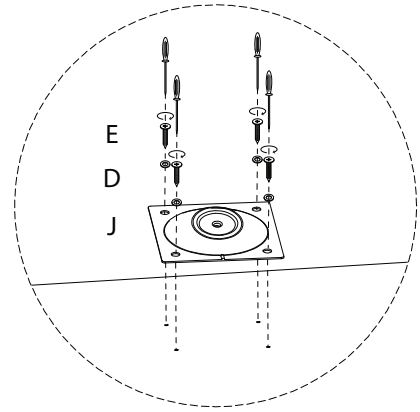
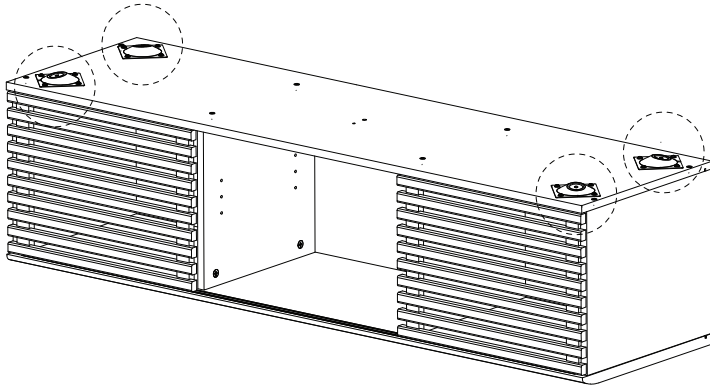
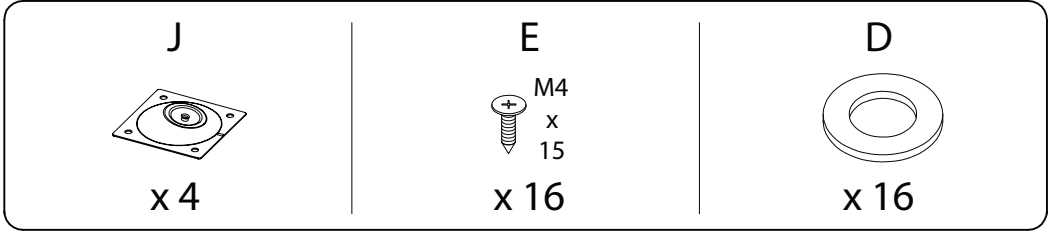
L



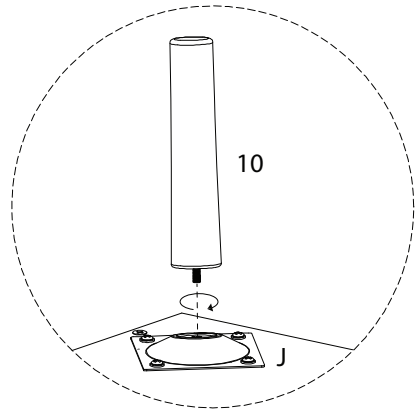
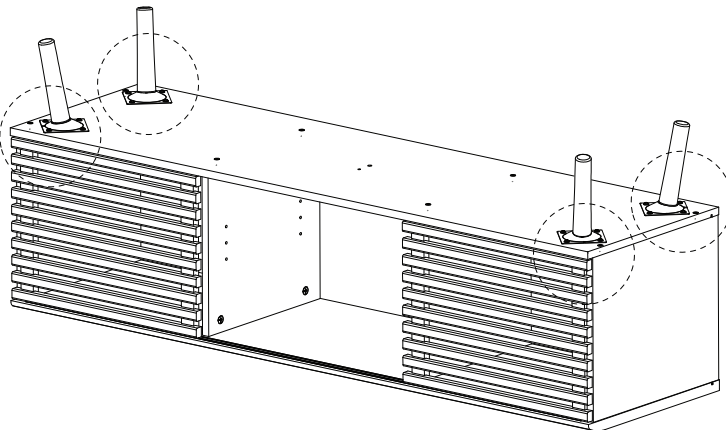
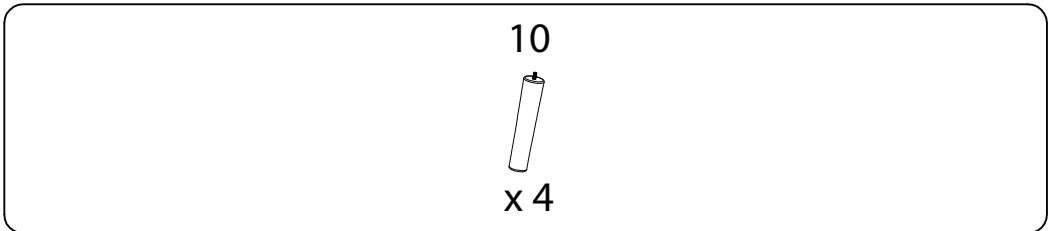
x 6



11



12



13

9

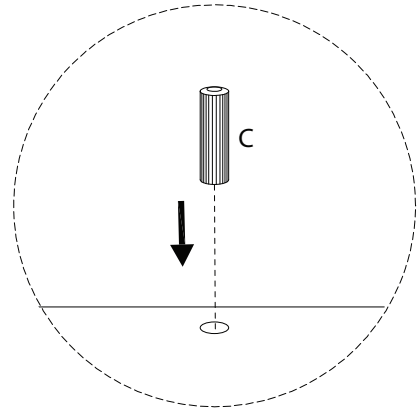
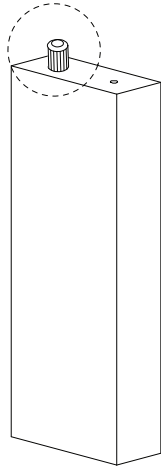


x 1

C



x 1



14

I

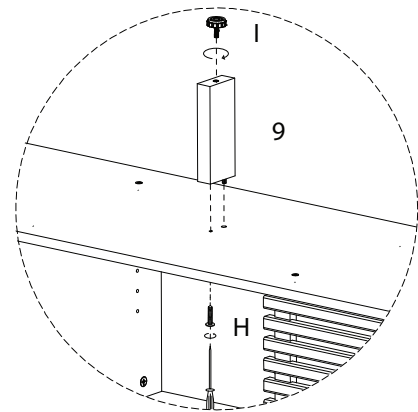
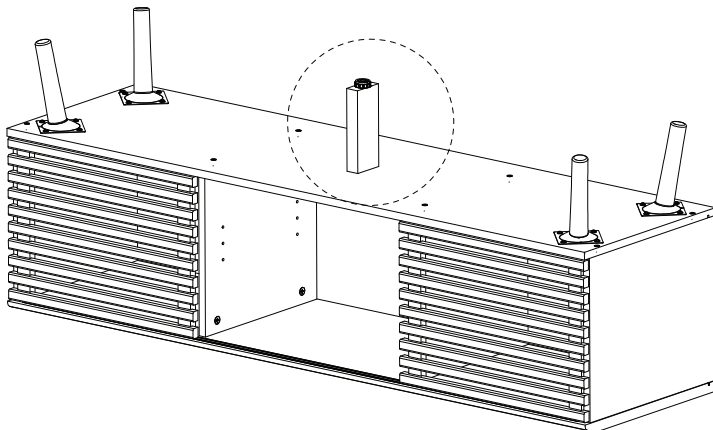


x 1

H



x 1

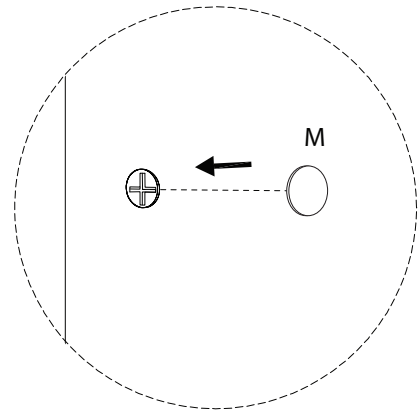
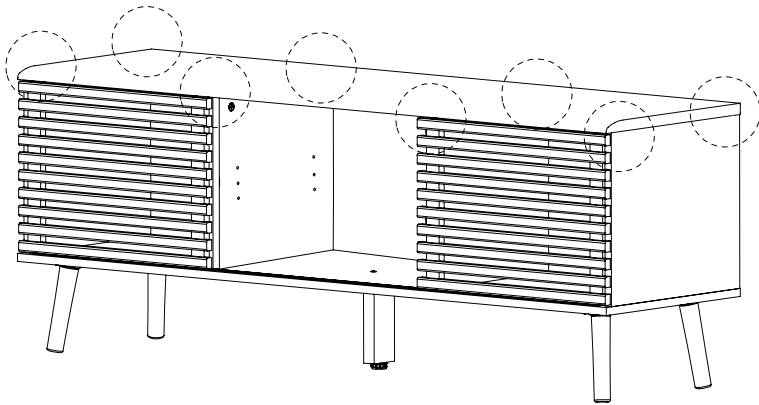


15

M

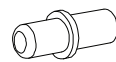


x 8

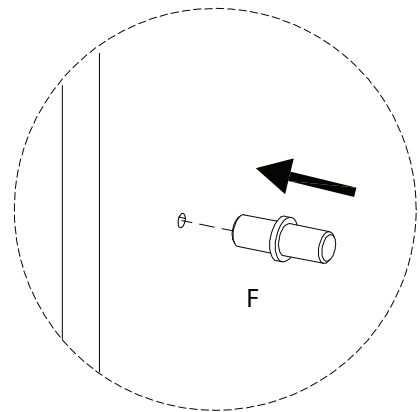
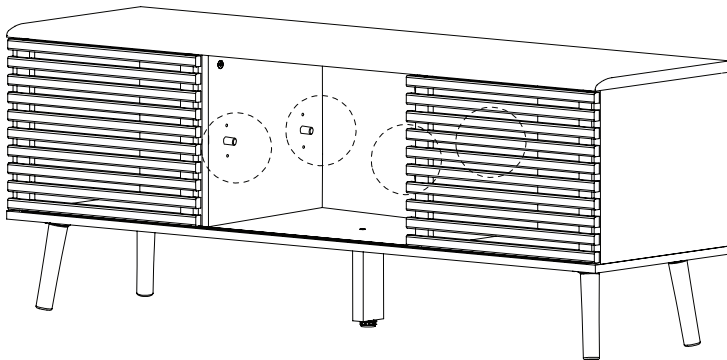


16

F

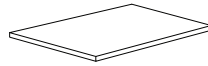


x 4



17

11



x 1

