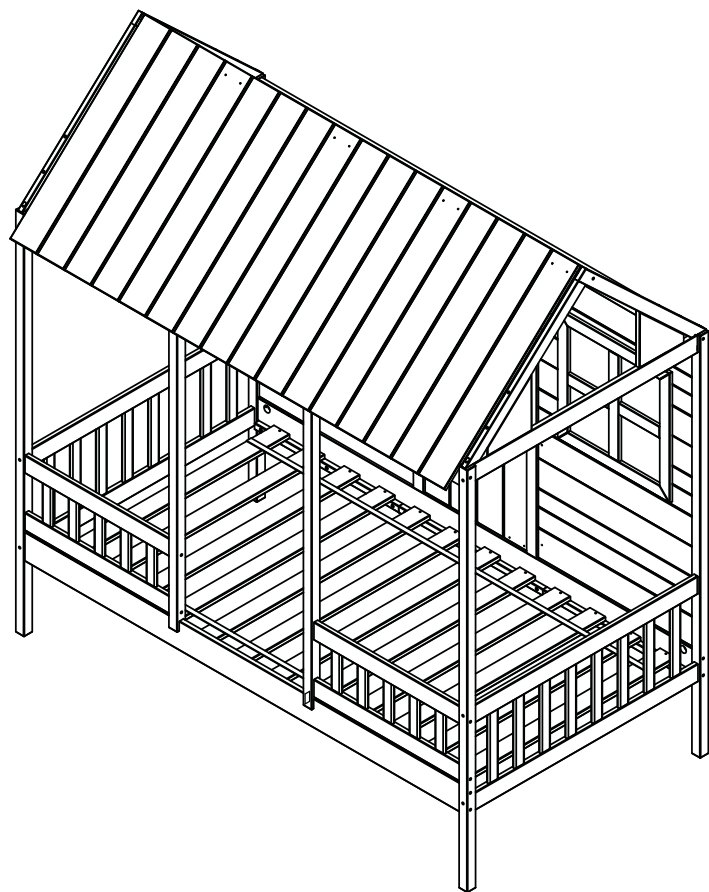


ASSEMBLY INSTRUCTIONS

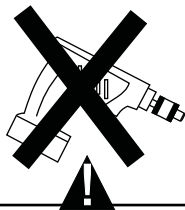
TWIN FRONT PORCH BED



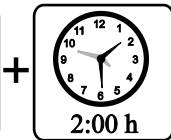
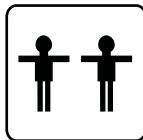
Thank you for purchasing this quality product. Be sure to check all packing material carefully for small parts which may have come loose inside the carton during shipment. Separate, identify and count all parts and hardware.

Compare with the parts list to be sure all parts are present.

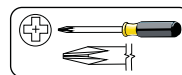
"DO NOT TIGHTEN SCREWS UNTIL COMPLETELY ASSEMBLED"



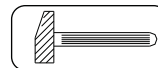
* Use of power tool to assemble this product will invalidate any claim and damage this product making unsafe !!!
* Please assemble on a clean soft surface to avoid damage.



Tools Required



(Not included)

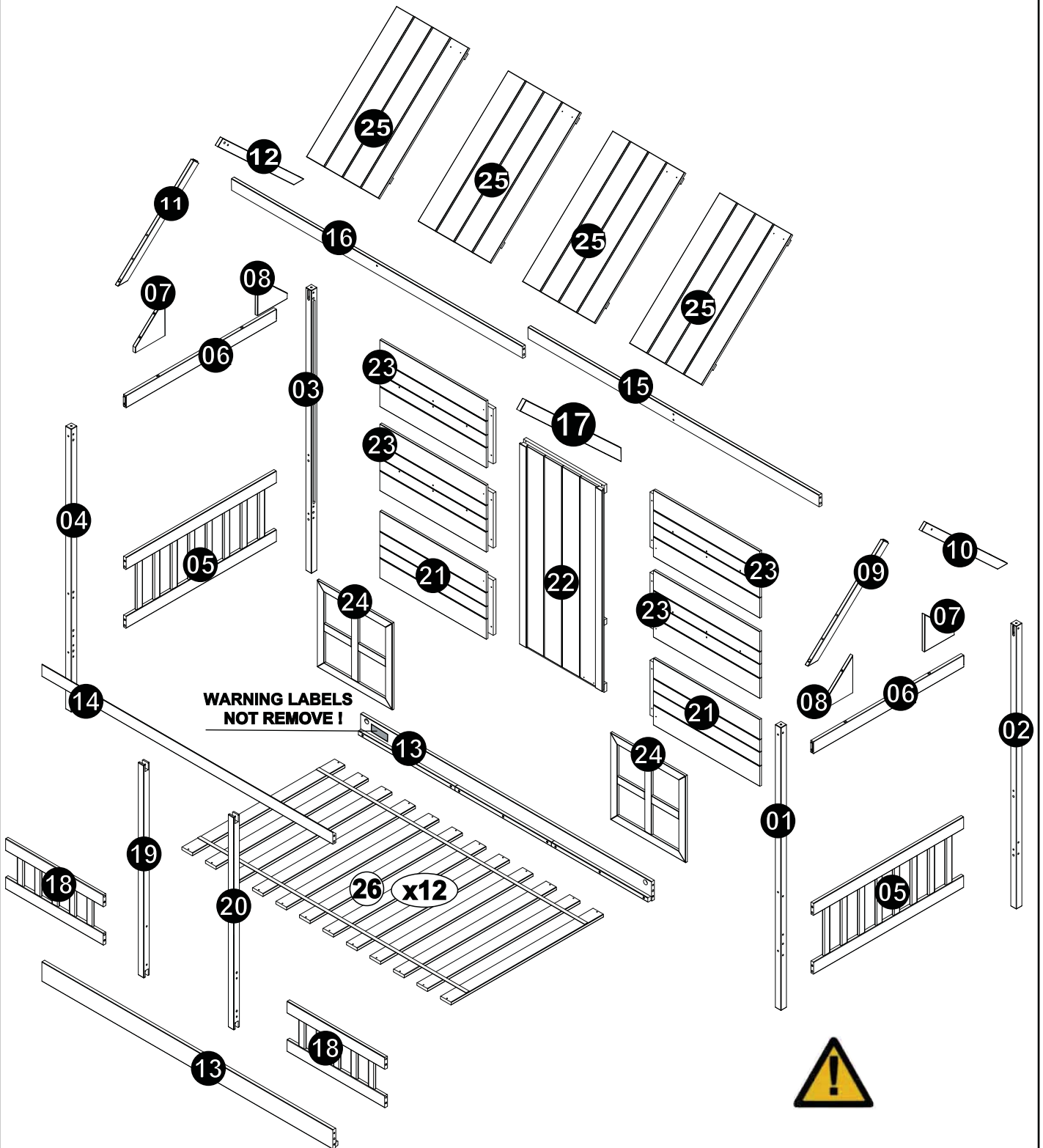


(Not included)

IMPORTANT:

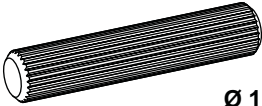

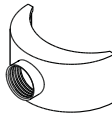
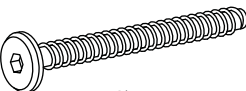
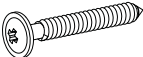
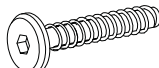

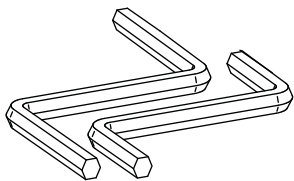
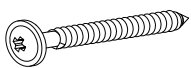
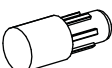
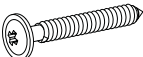
PLEASE READ INSTRUCTION BEFORE STARTING THE ASSEMBLY

Part List - TWIN FRONT PORCH BED

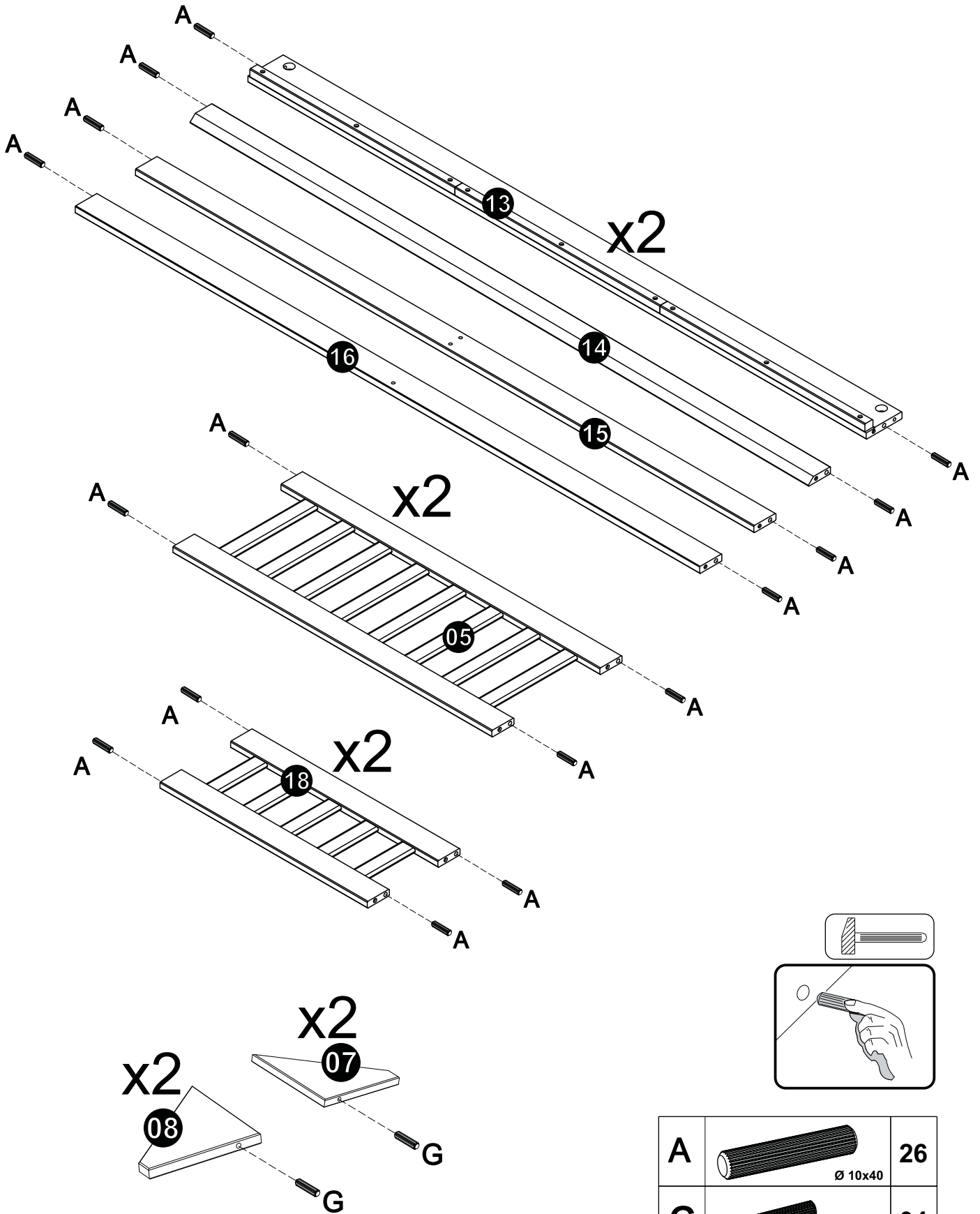




Please be careful when assembling this product due the parts are extremely heavy. Also, please do not allow kids around when assembling this bed to avoid injuries.

Identifying the Hardware-Identify the hardware using the illustrations below.

A	 Ø 10x40	26
B	 Ø 1/4X80 HEAD 17	04
C		04
D	 Ø 7X80 HEAD 17	38
E	 Ø 3,5X30	44
F	 Ø 7X40 HEAD 13	08
G	 Ø 08X30	05
H		02
I	 Ø 04x45	16
J	 Ø 06x08	04
K	 Ø 4,0X25	12

01



A	 Ø 10x40	26
G	 Ø 08x30	04

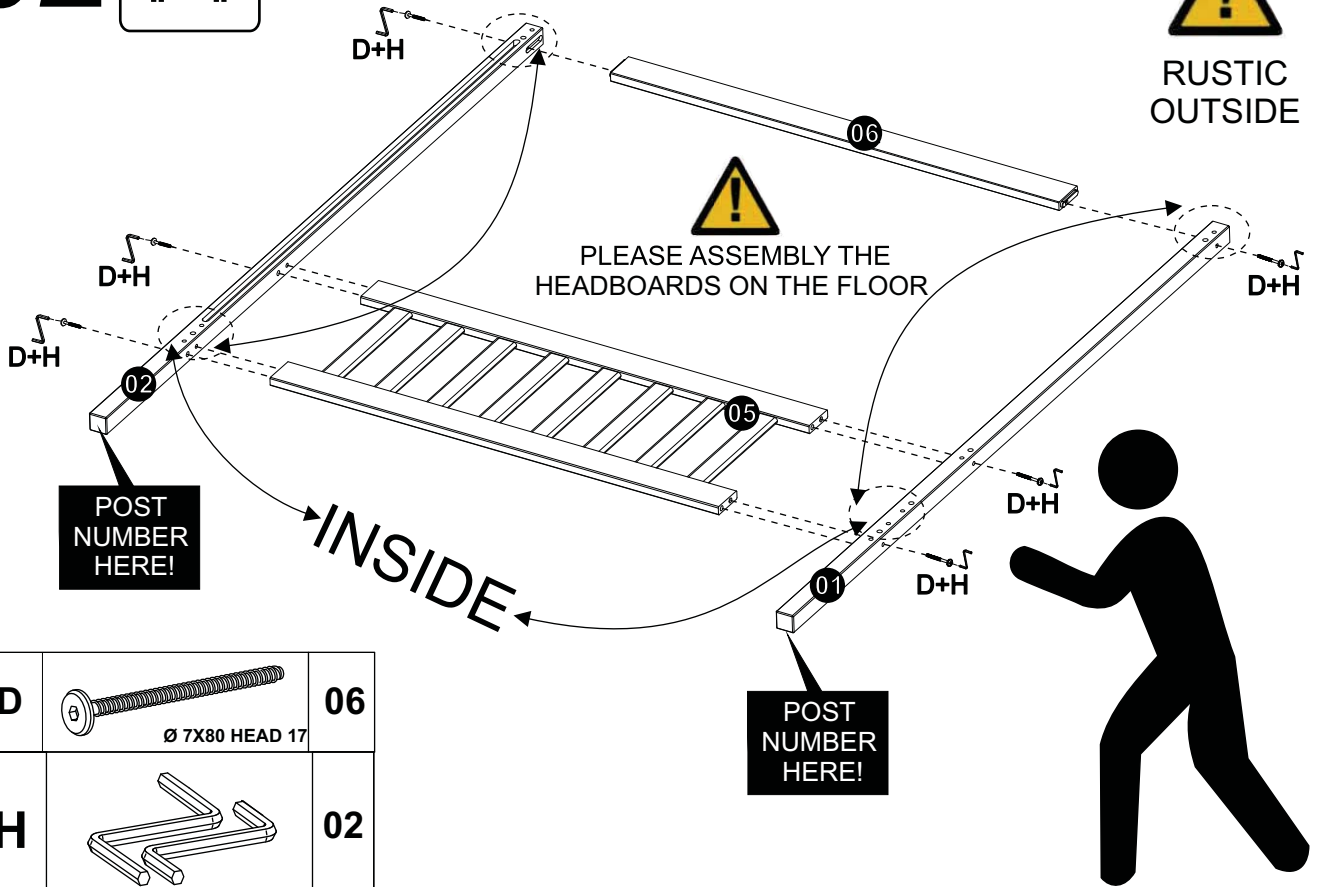
02


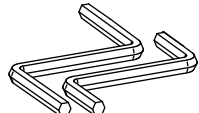


RIGHT HEADBOARD

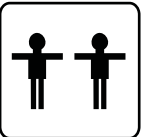


RUSTIC
OUTSIDE



D	 Ø 7X80 HEAD 17	06
H		02

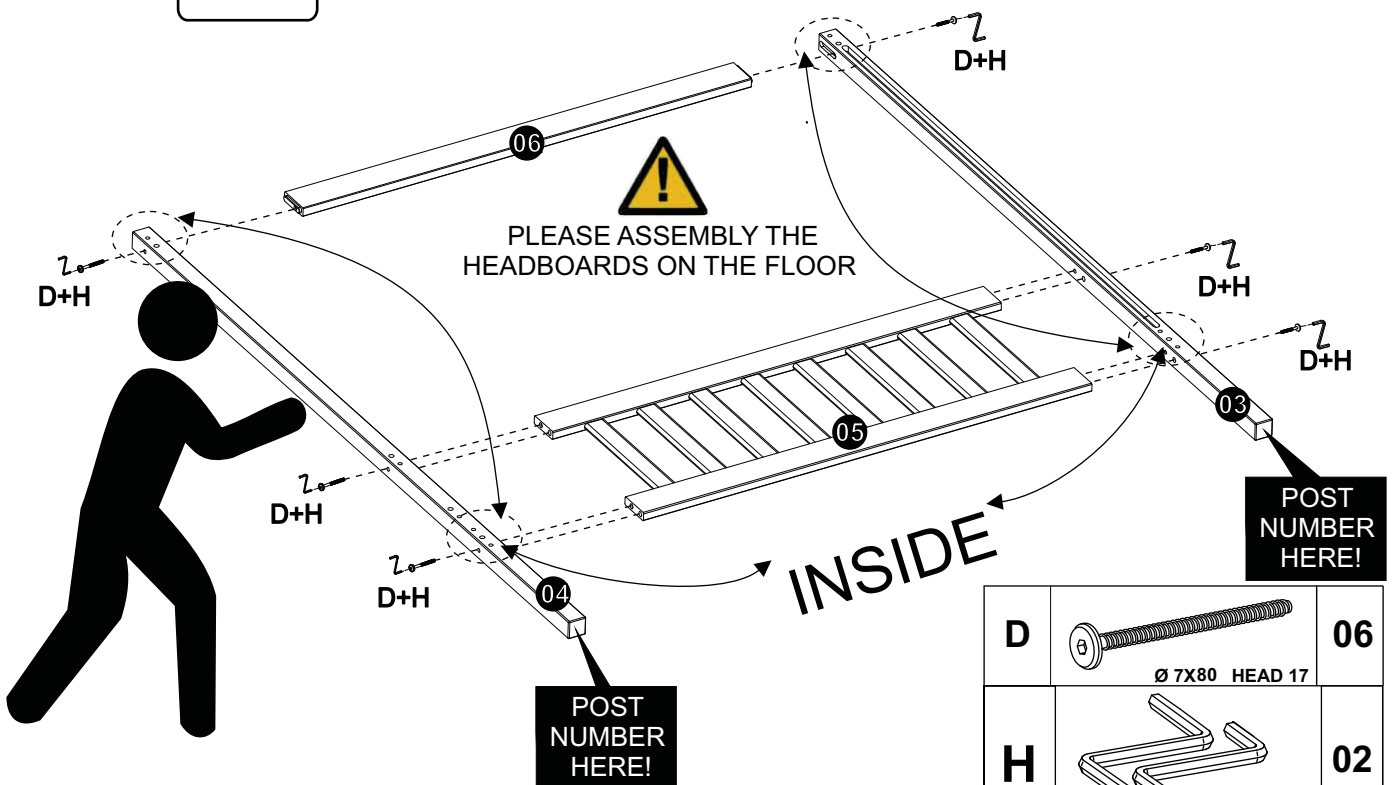
03


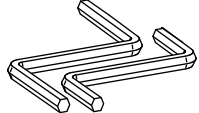


LEFT HEADBOARD

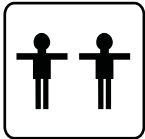


PLEASE ASSEMBLY THE
HEADBOARDS ON THE FLOOR



D	 Ø 7X80 HEAD 17	06
H		02

04



LEFT HEADBOARD

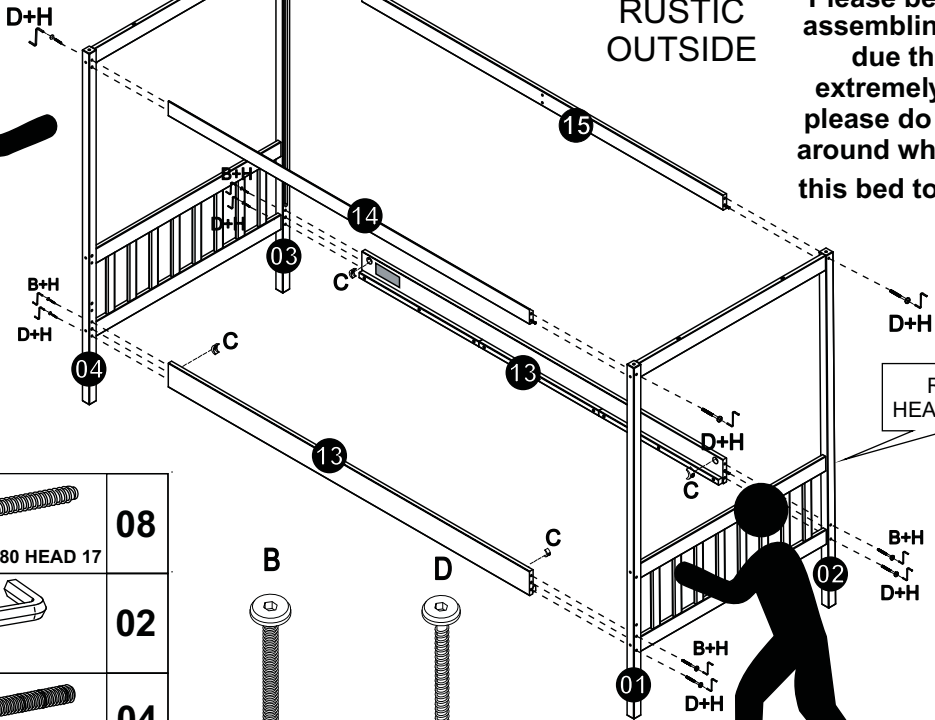


RUSTIC OUTSIDE

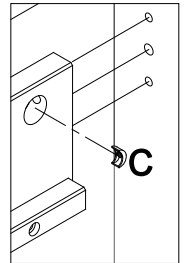
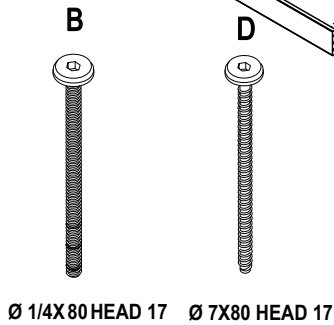


Caution

Please be careful when assembling this product due the parts are extremely heavy. Also, please do not allow kids around when assembling this bed to avoid injuries.



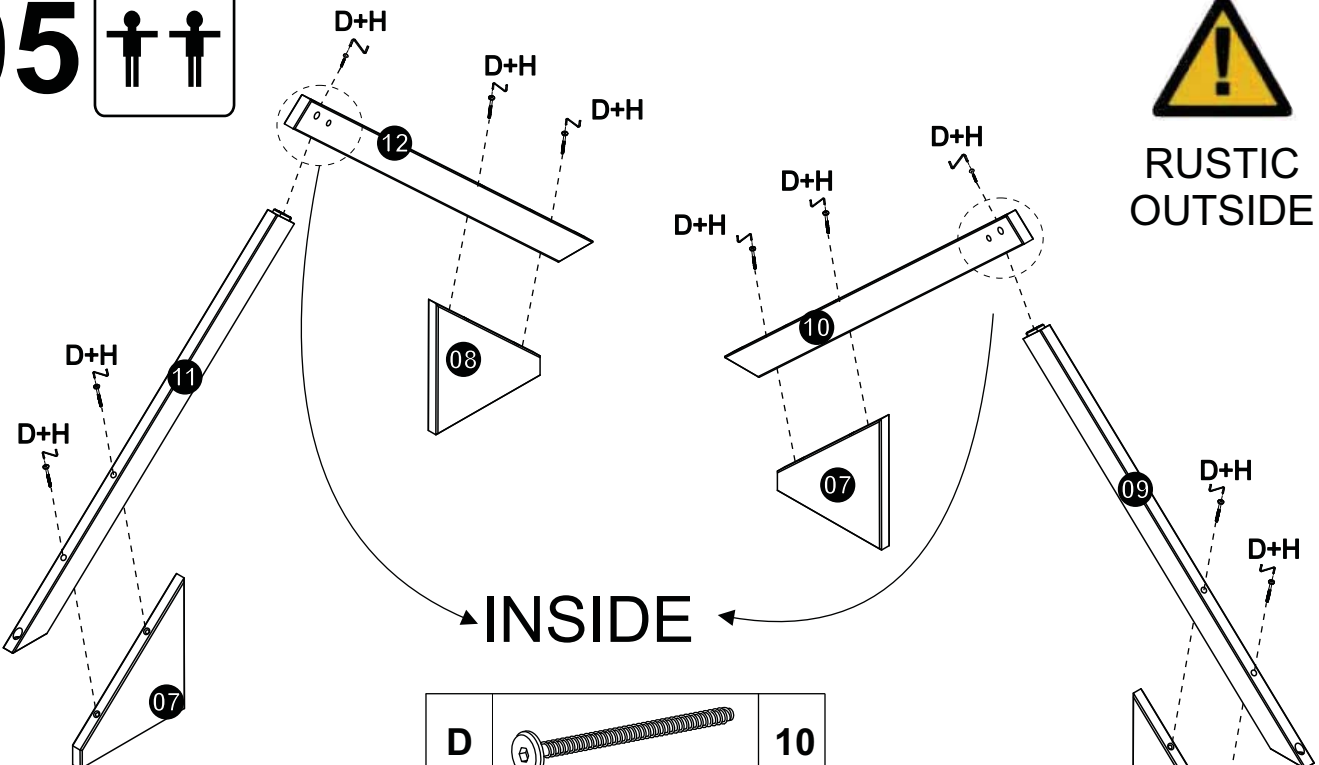
D		08
H		02
B		04
C		04



05

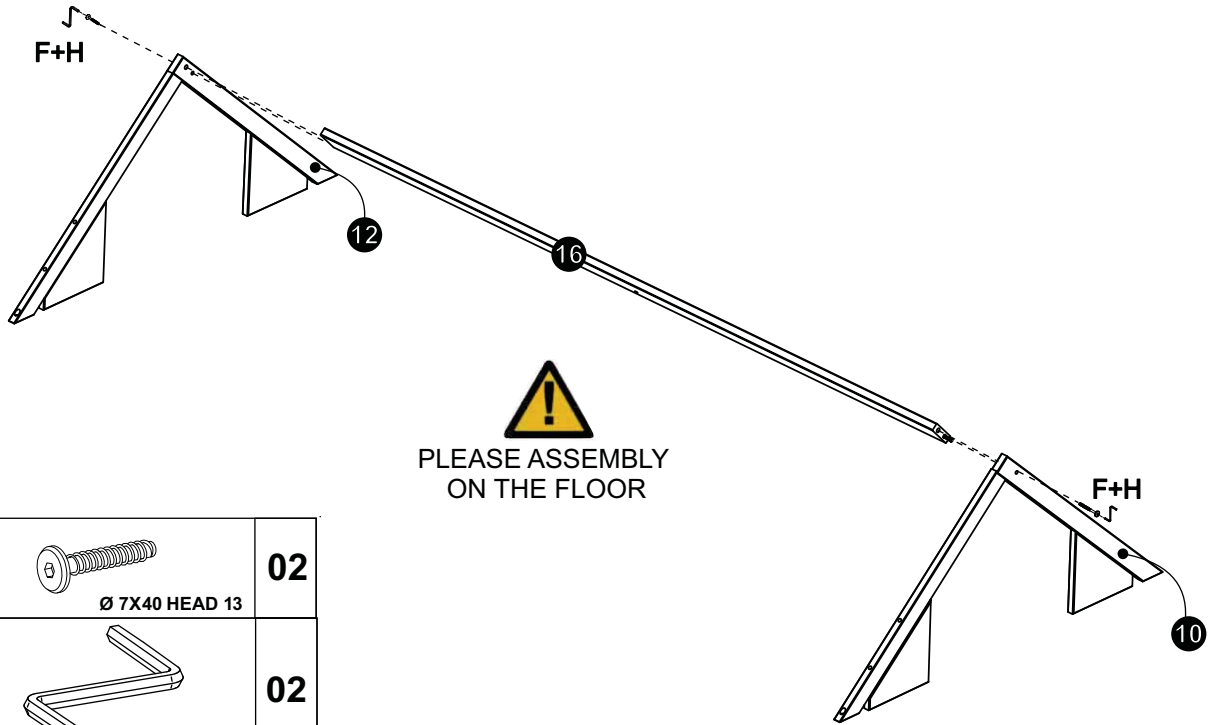
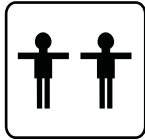



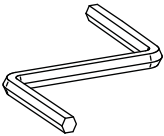
RUSTIC OUTSIDE



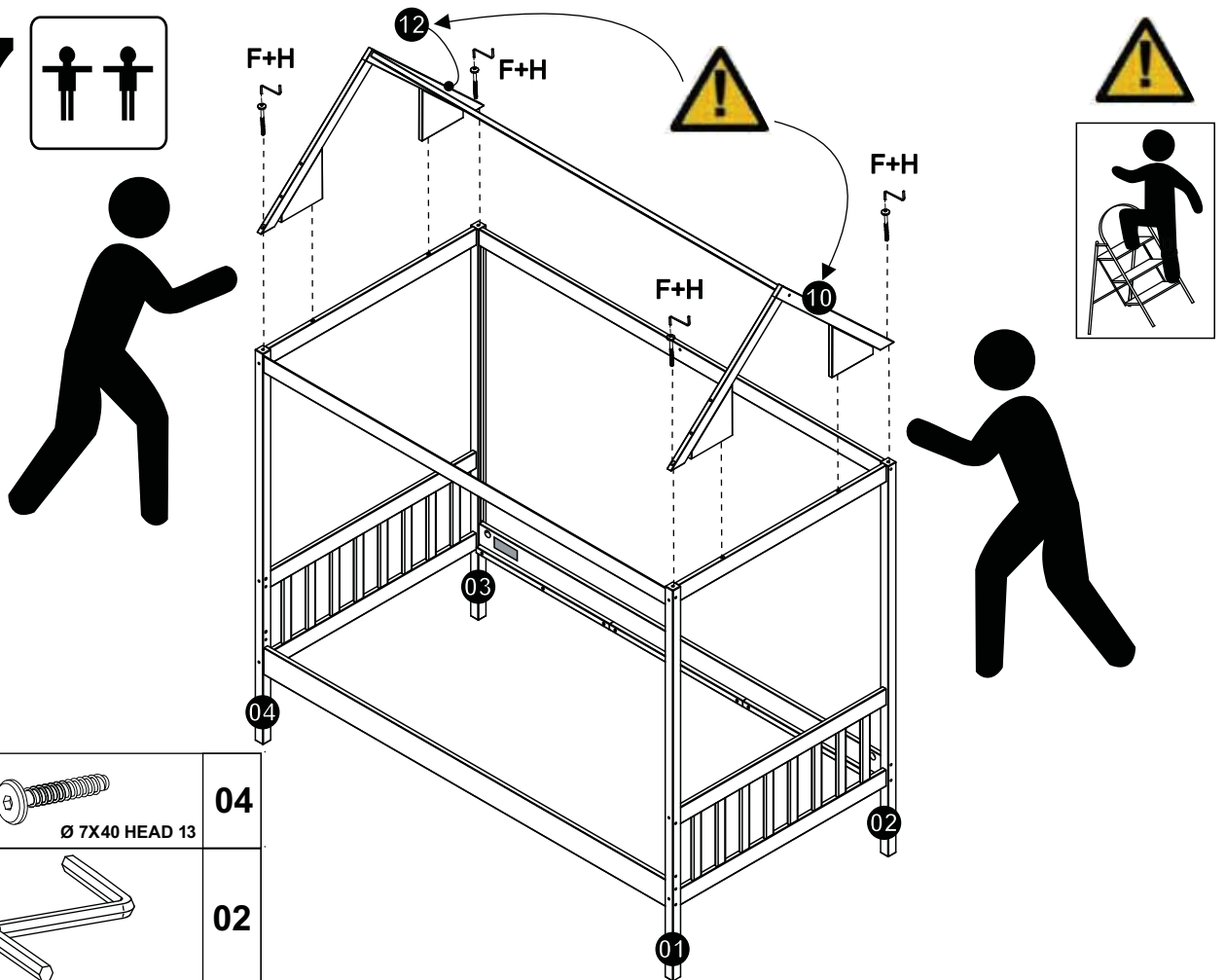
D		10
H		02


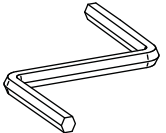
06



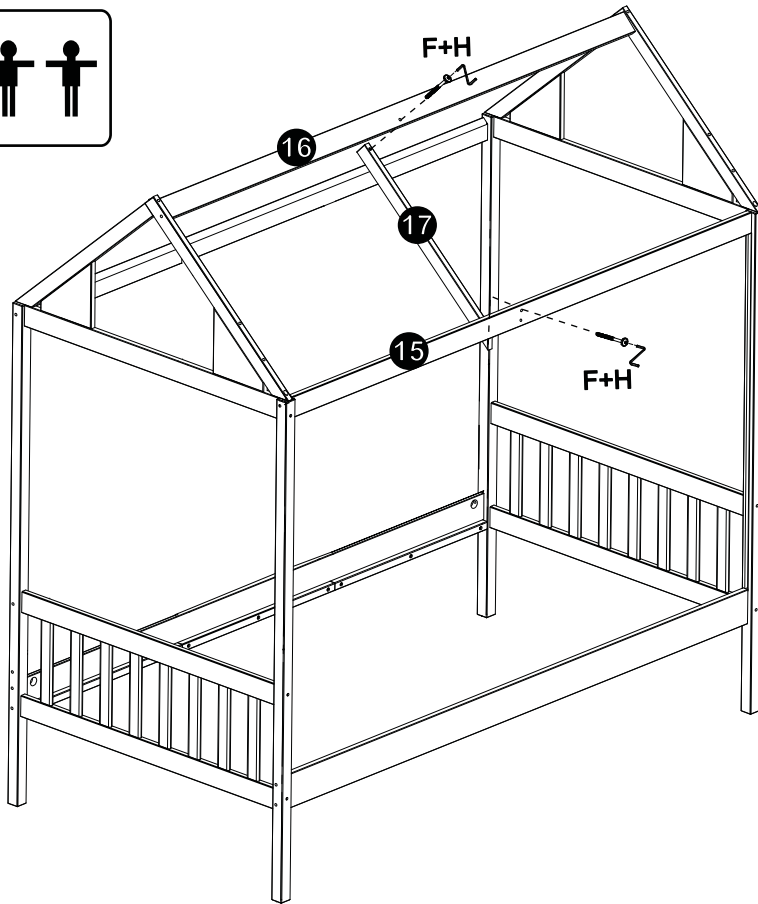
F	 Ø 7X40 HEAD 13	02
H		02

07



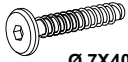
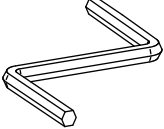
F	 Ø 7X40 HEAD 13	04
H		02

08




BACK SIDE

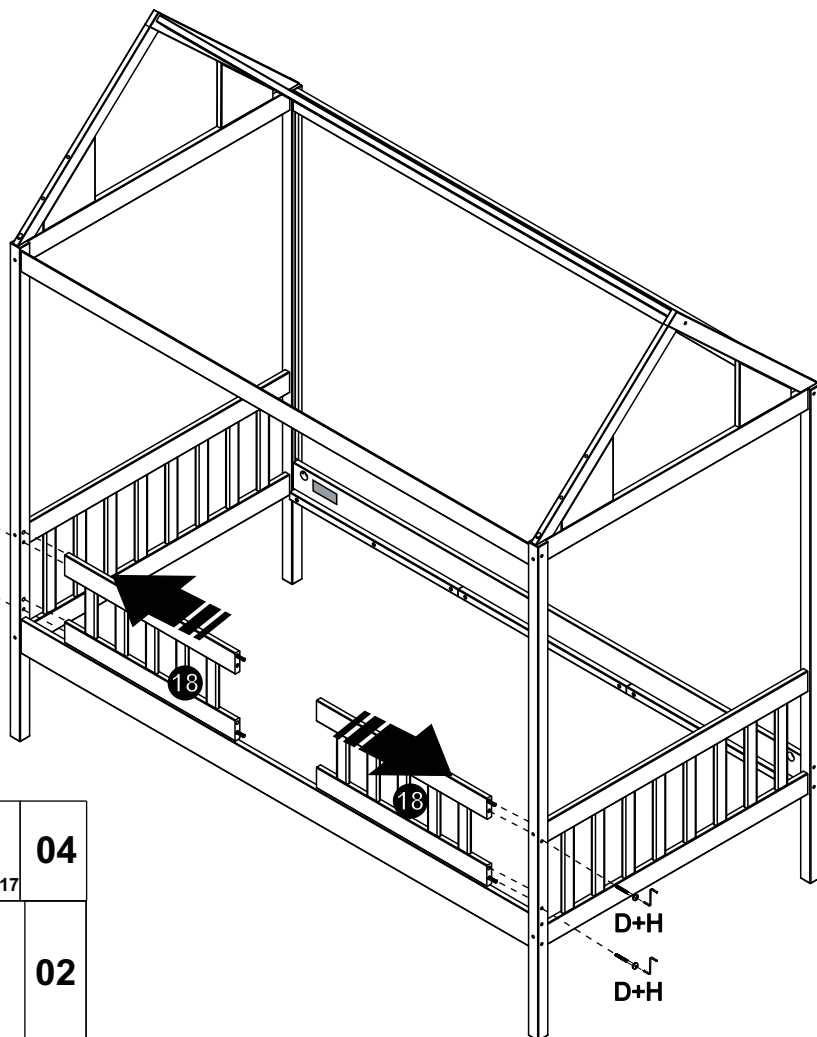


F	 Ø 7X40 HEAD 13	02
H		01


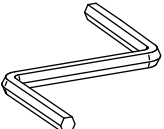
09



FRONT SIDE



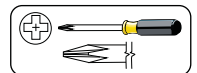
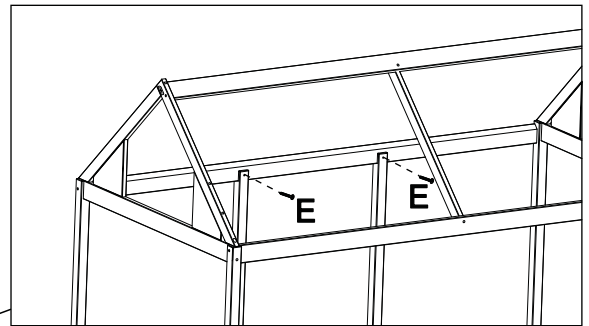
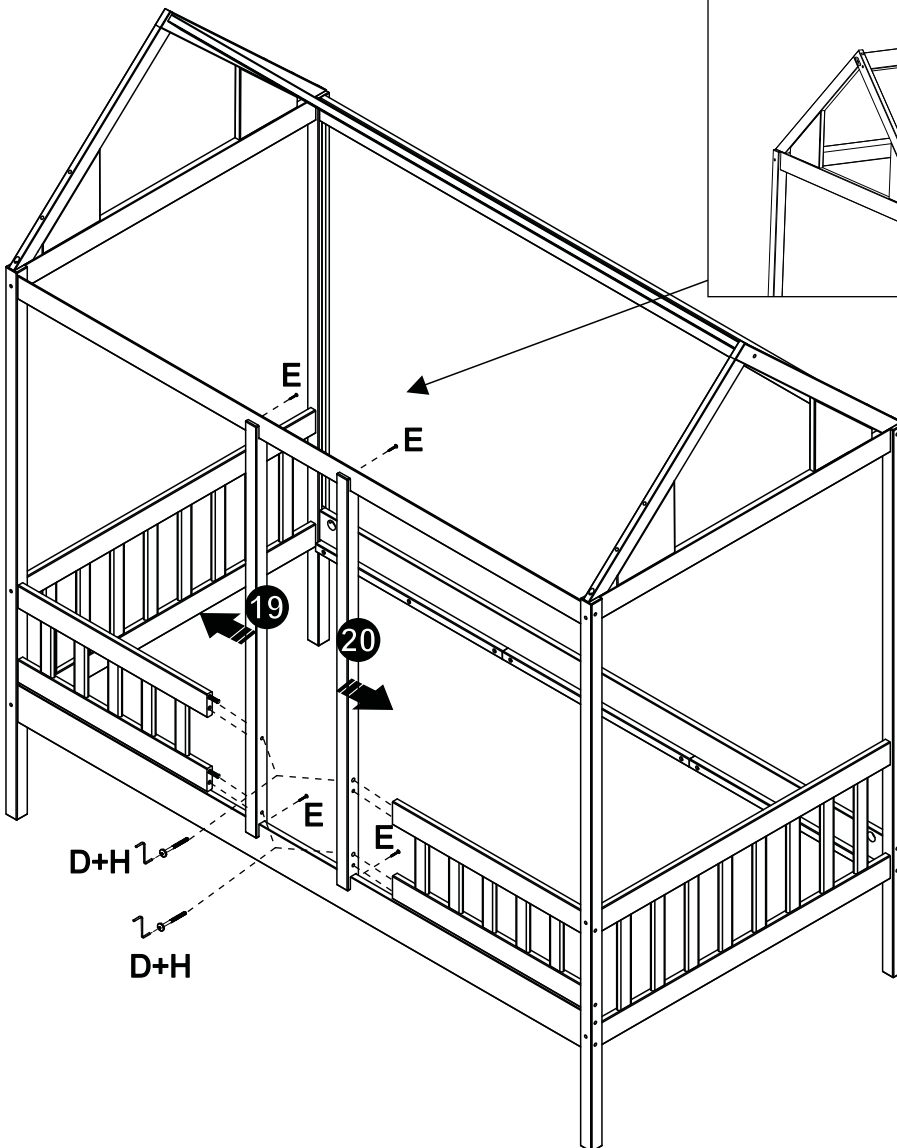
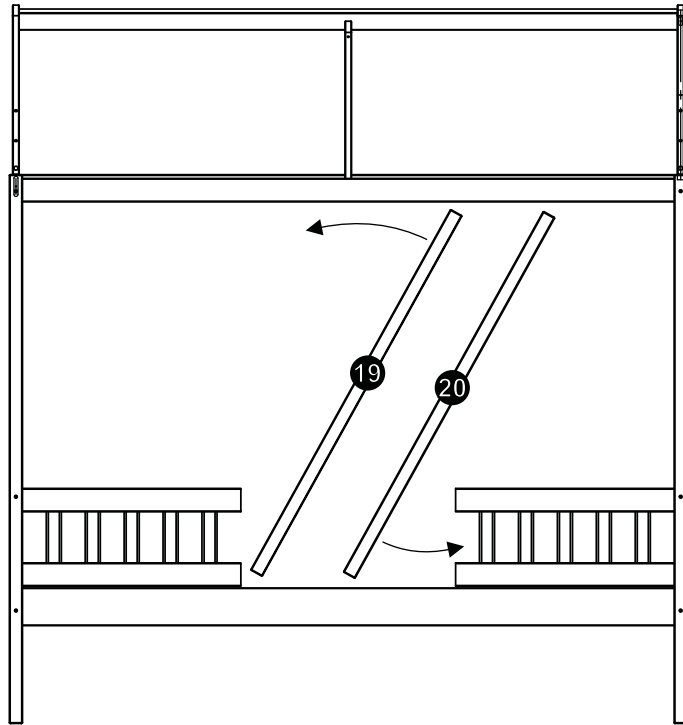
RUSTIC
OUTSIDE



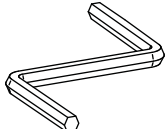
D	 Ø 7X80 HEAD 17	04
H		02

10

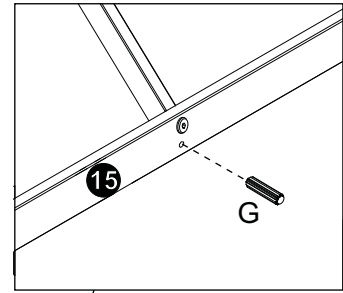
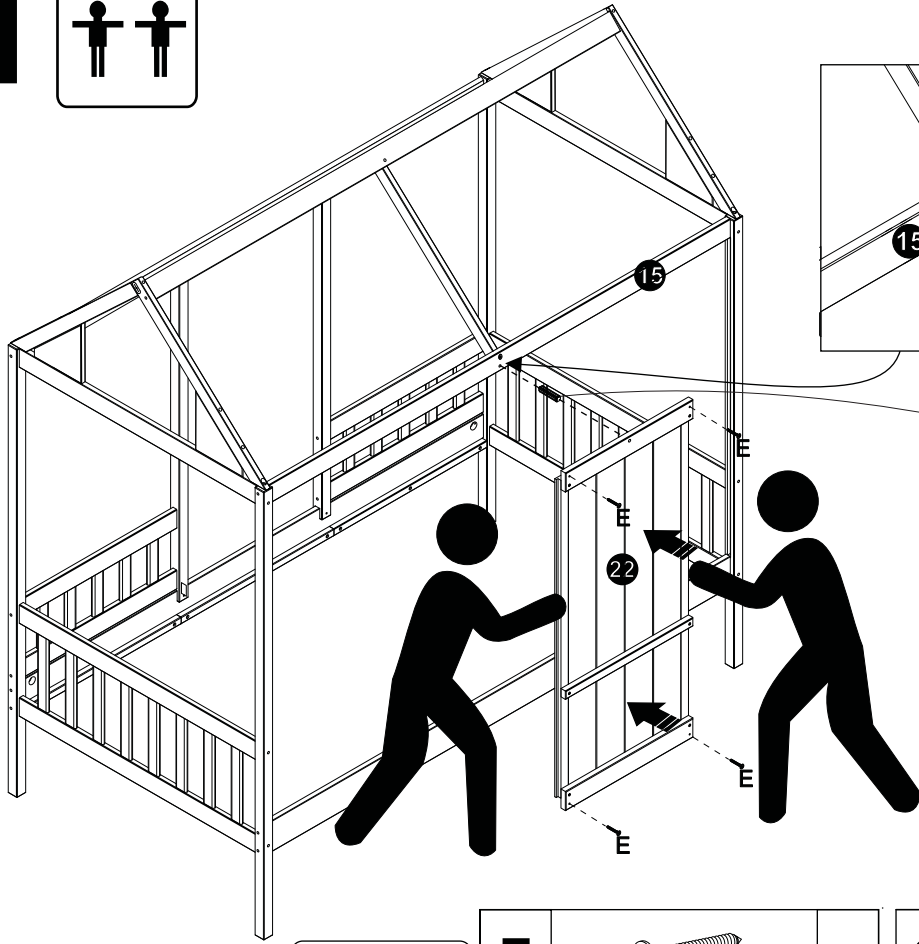


FRONT SIDE



E	 Ø 3,5X30	04
D	 Ø 7X80 HEAD 17	04
H		02

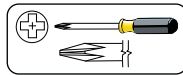
11



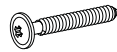
ALIGNMENT



BACK SIDE



E



Ø 3,5X30

04

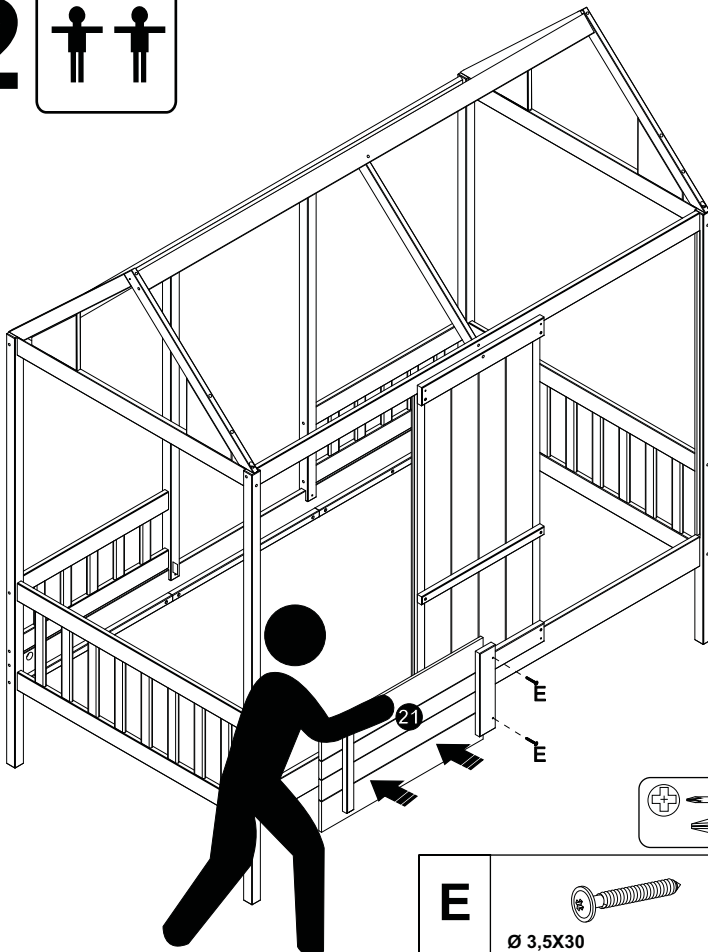
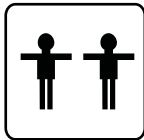
G



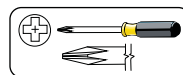
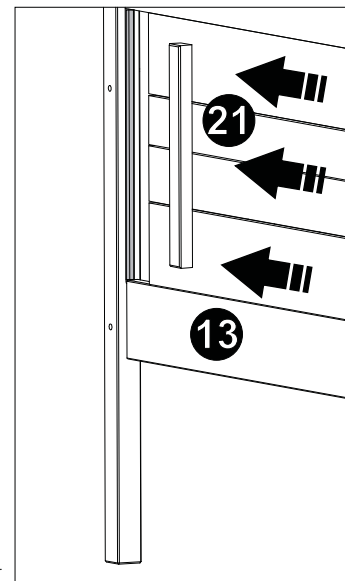
Ø 08X30

01

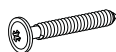
12



INSERT THE WALL PANELS INTO THE OPEN POST.



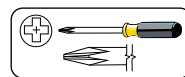
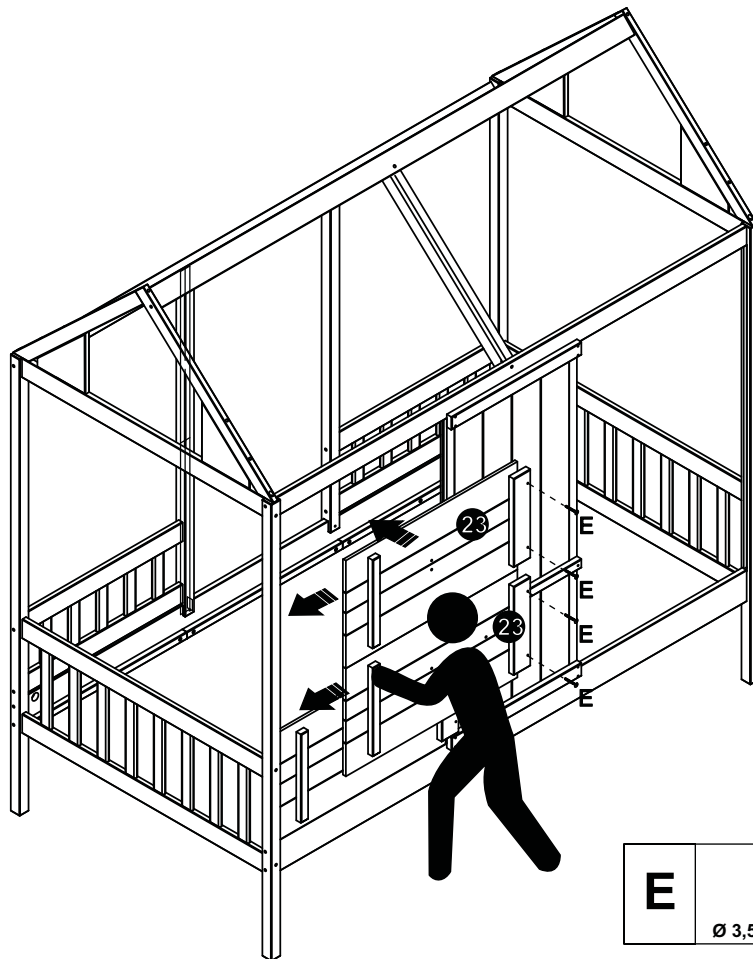
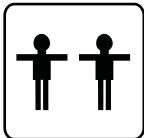
E

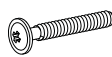


Ø 3,5X30

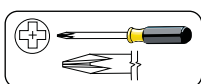
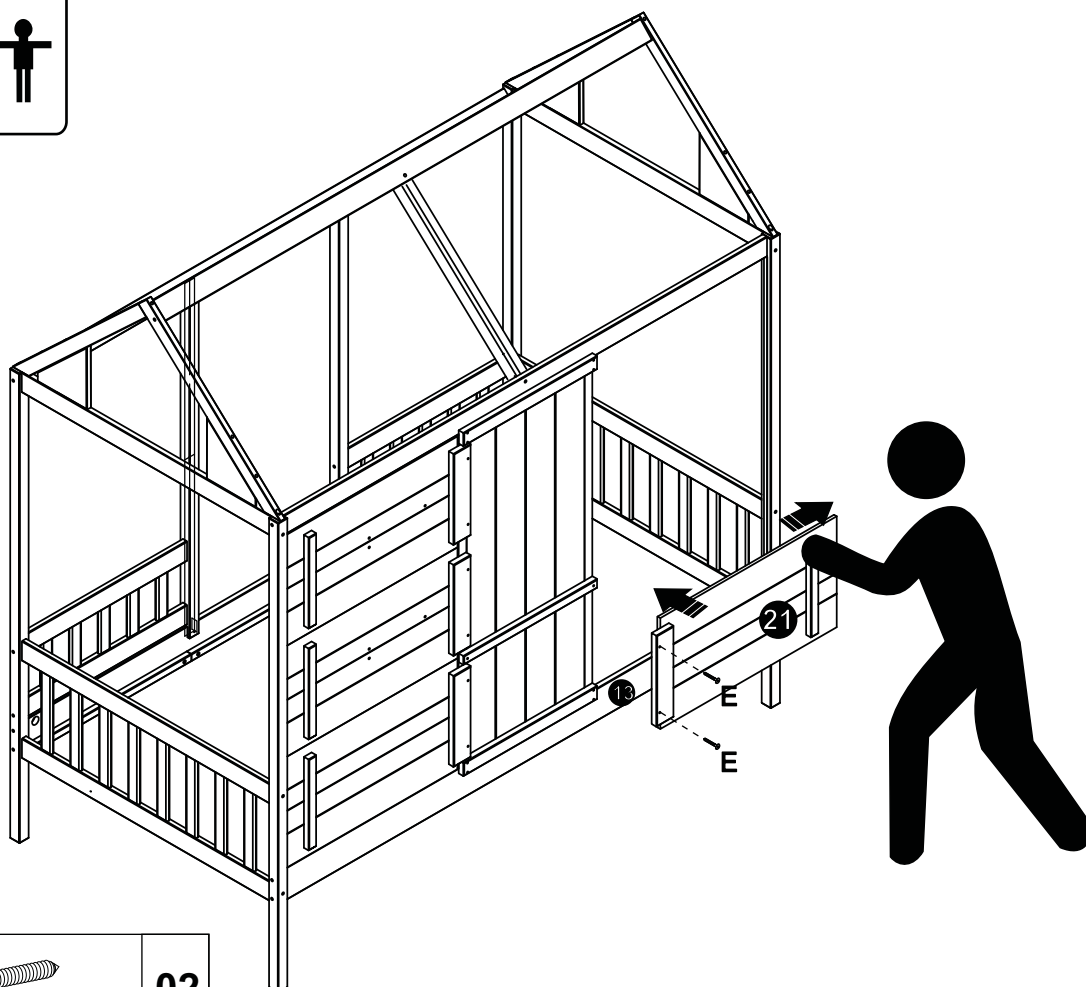
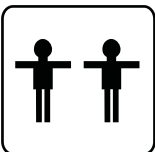
02


13



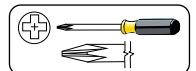
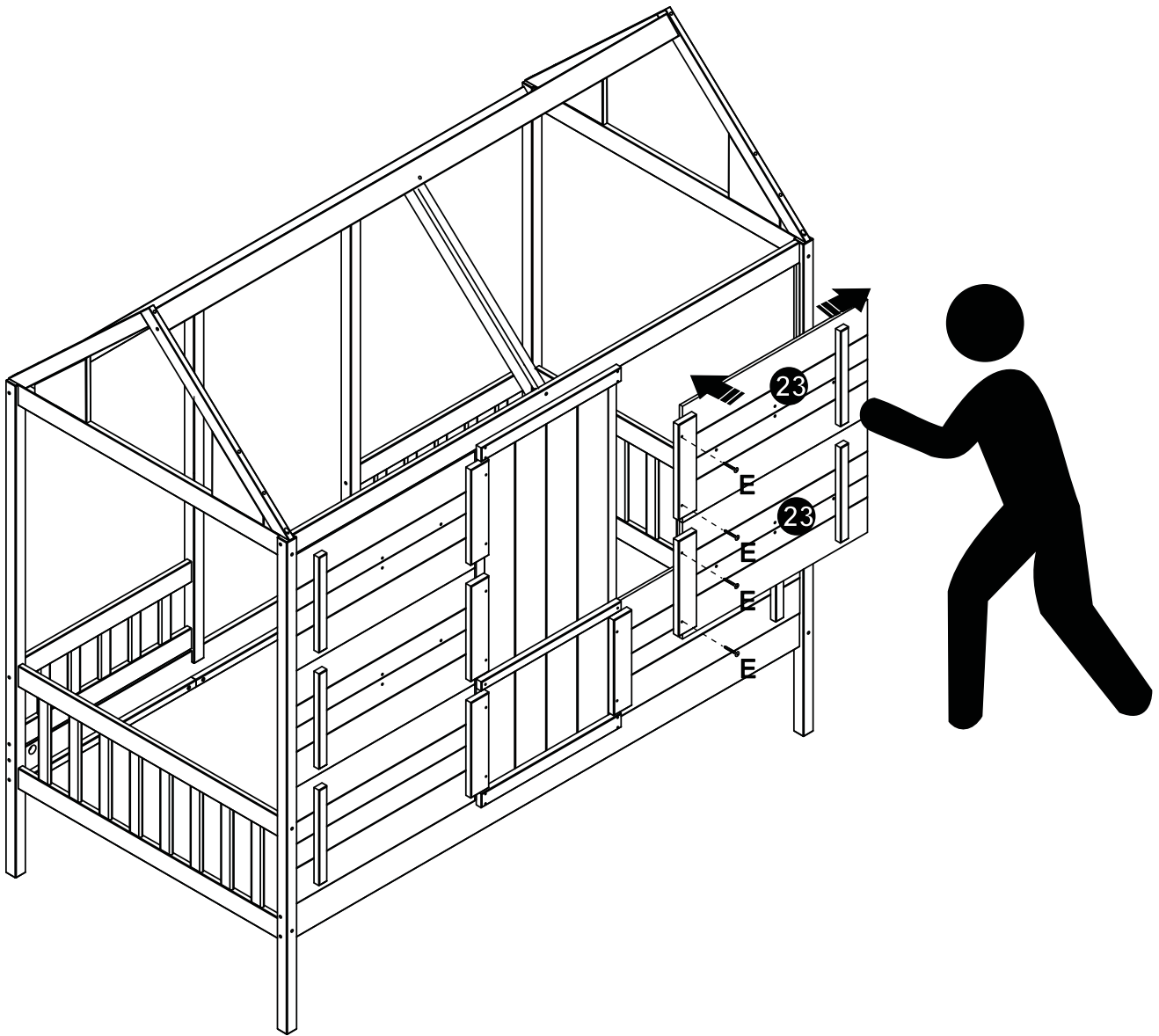
E		04
\varnothing 3,5X30		


14



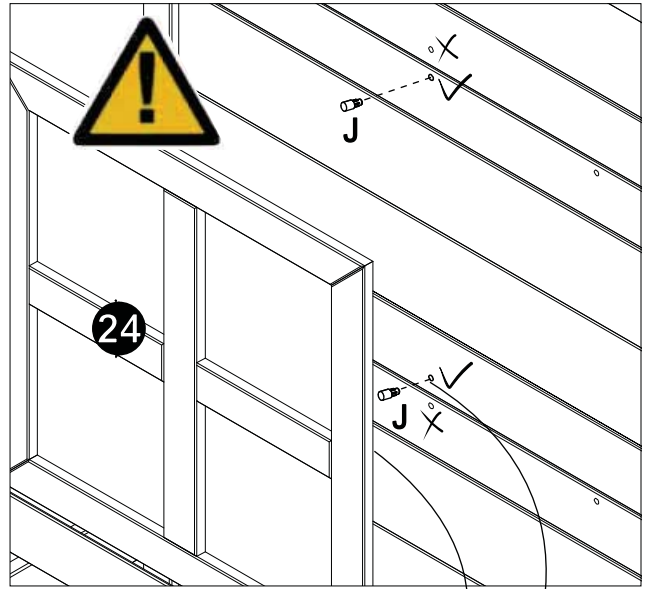
E		02
\varnothing 3,5X30		

15

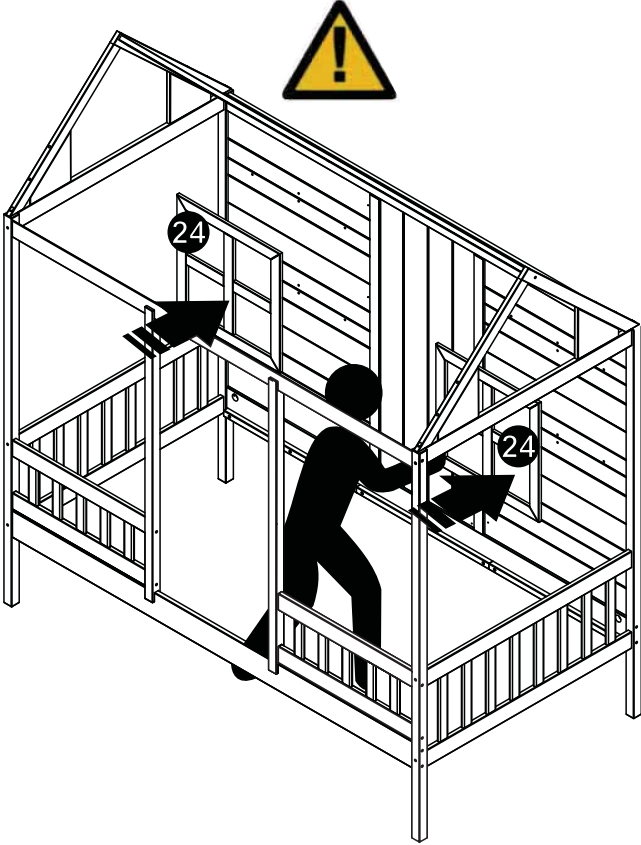


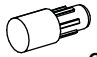
E	 Ø 3,5X30	04
----------	---	-----------

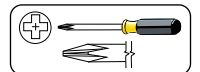
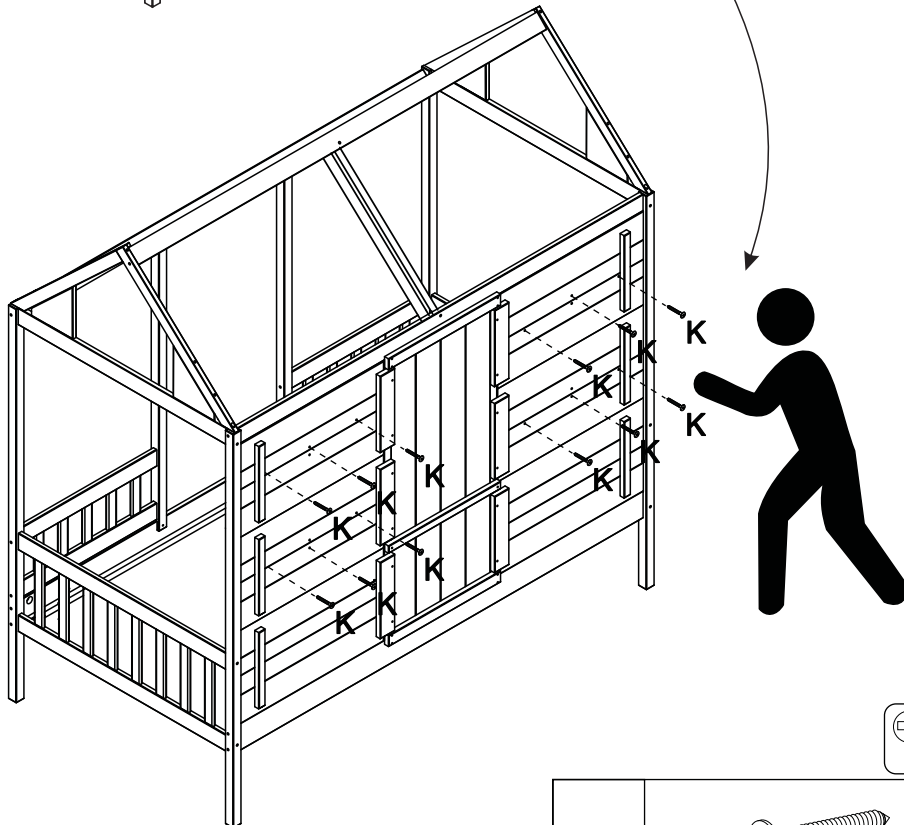
16

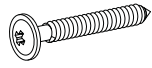


HOLES



J	 Ø 06x08	04
----------	---	-----------

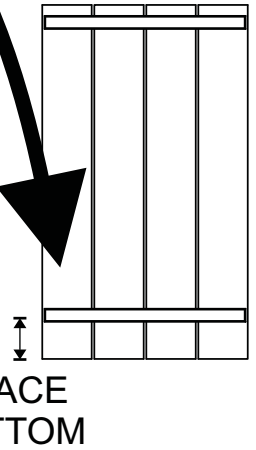
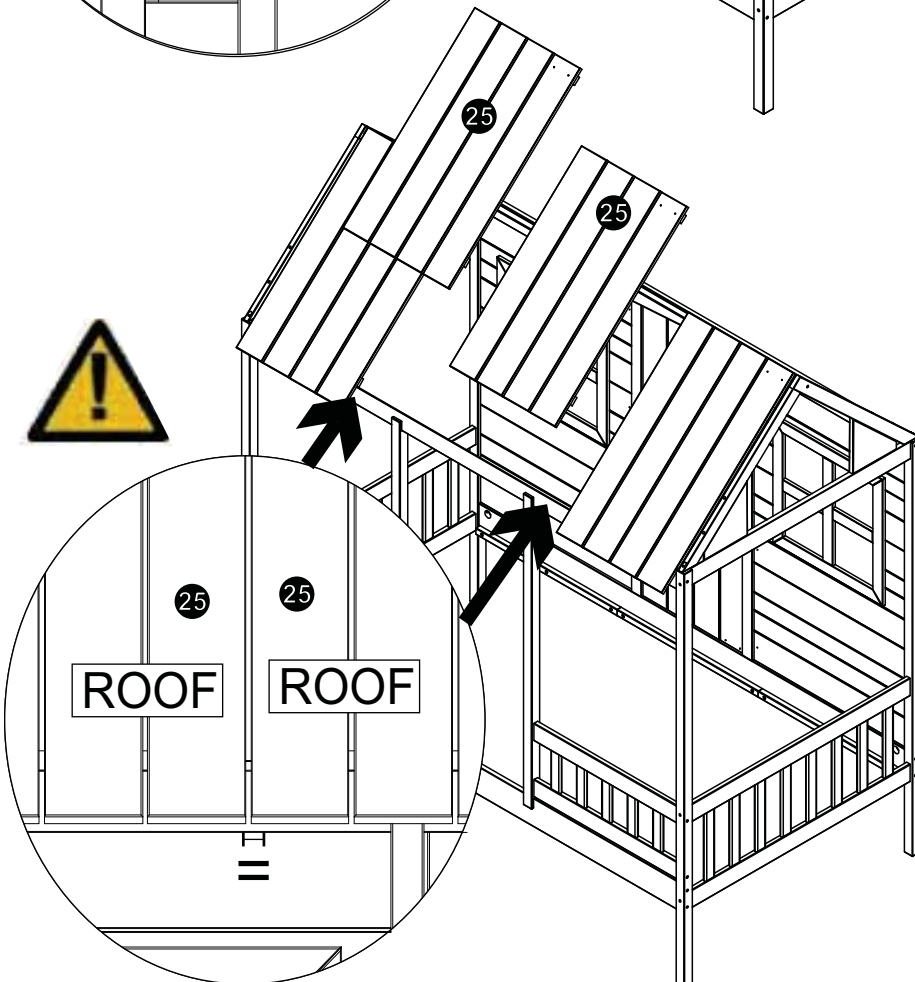
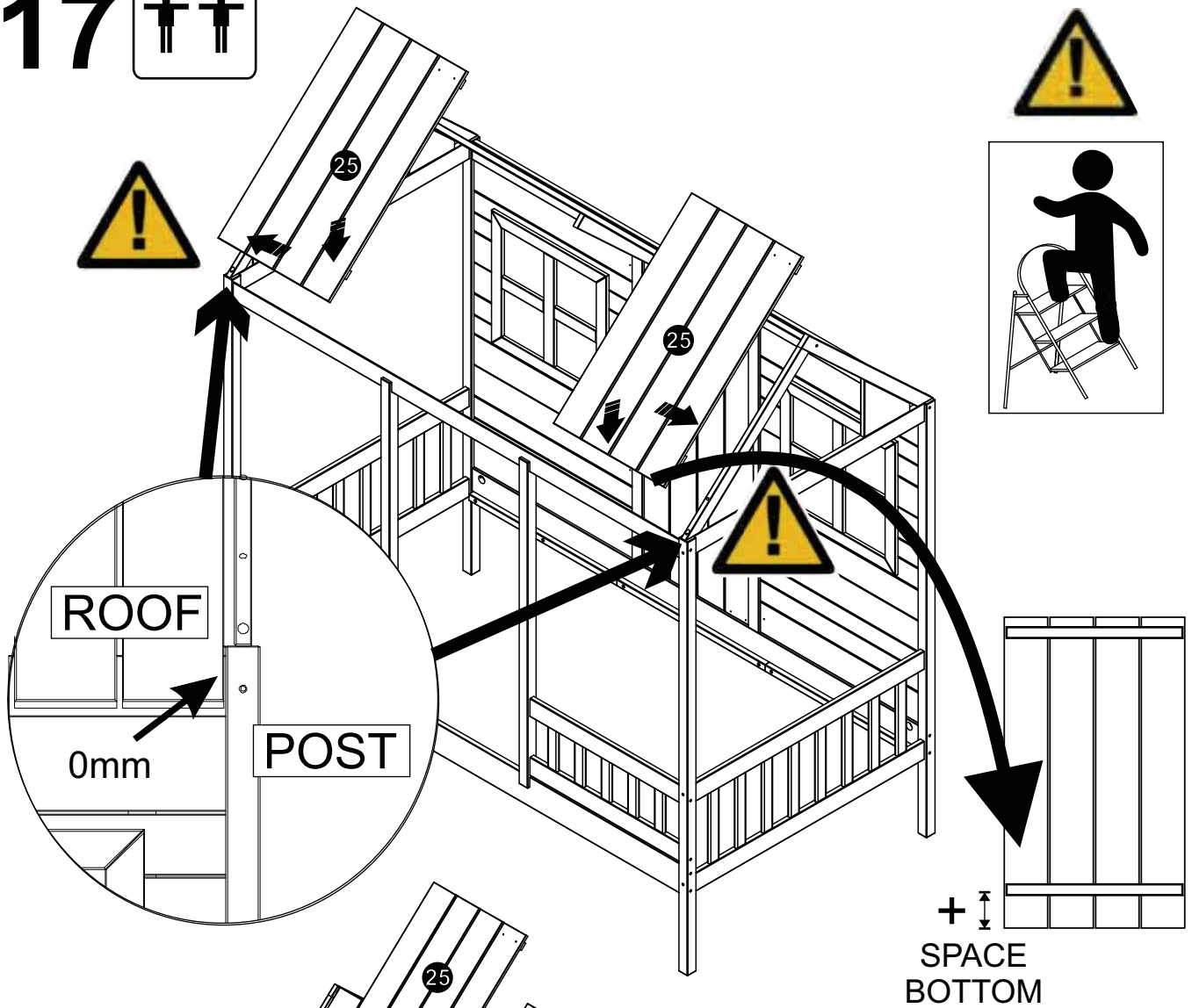


K	 Ø 3,5X25	12
----------	---	-----------

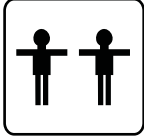
17



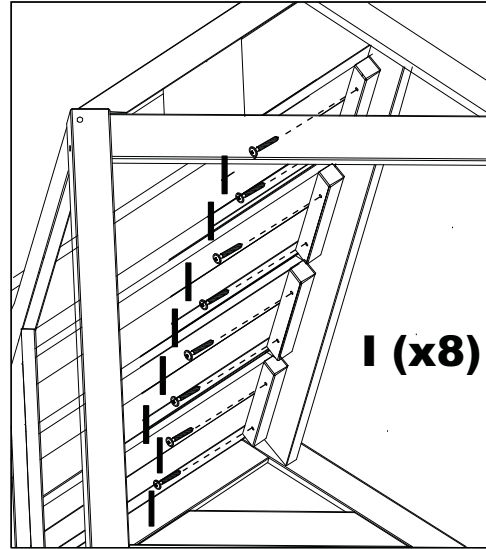
ROOF



18

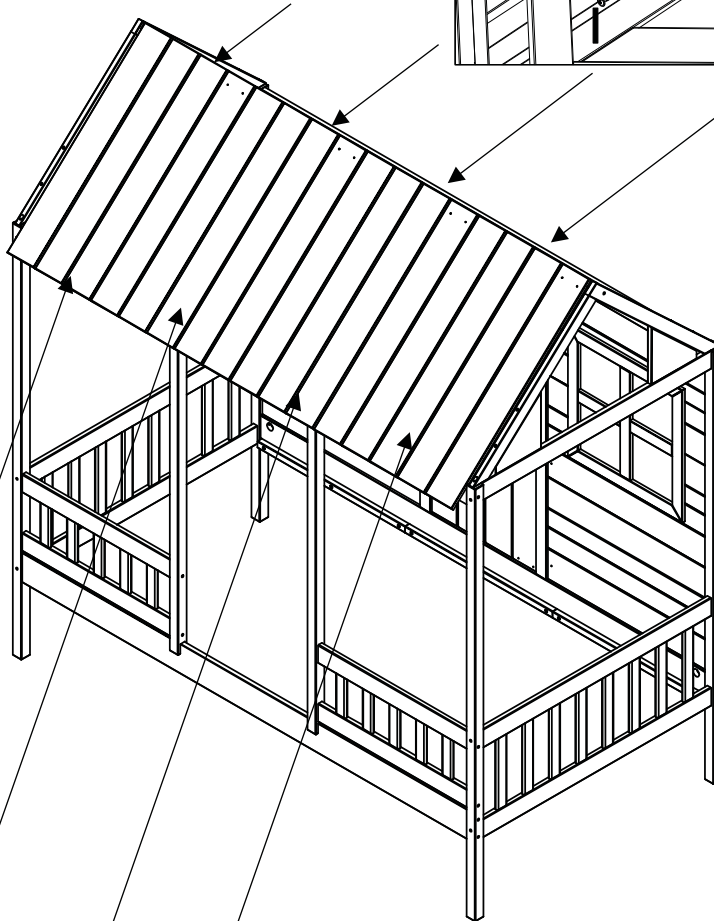


ROOF FIXING ON THE INSIDE

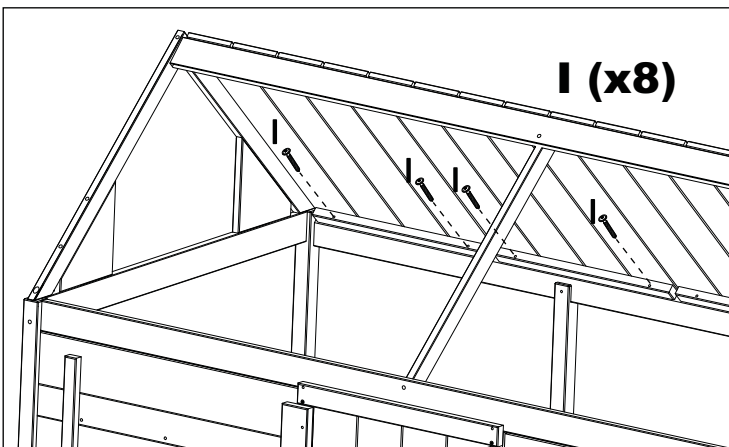


I (x8)

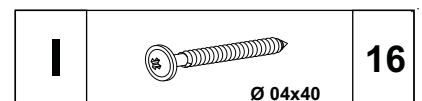
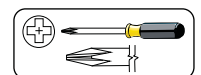
ROOF TOP



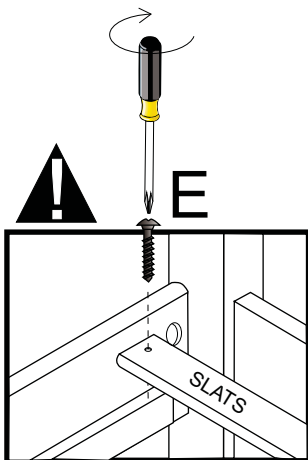
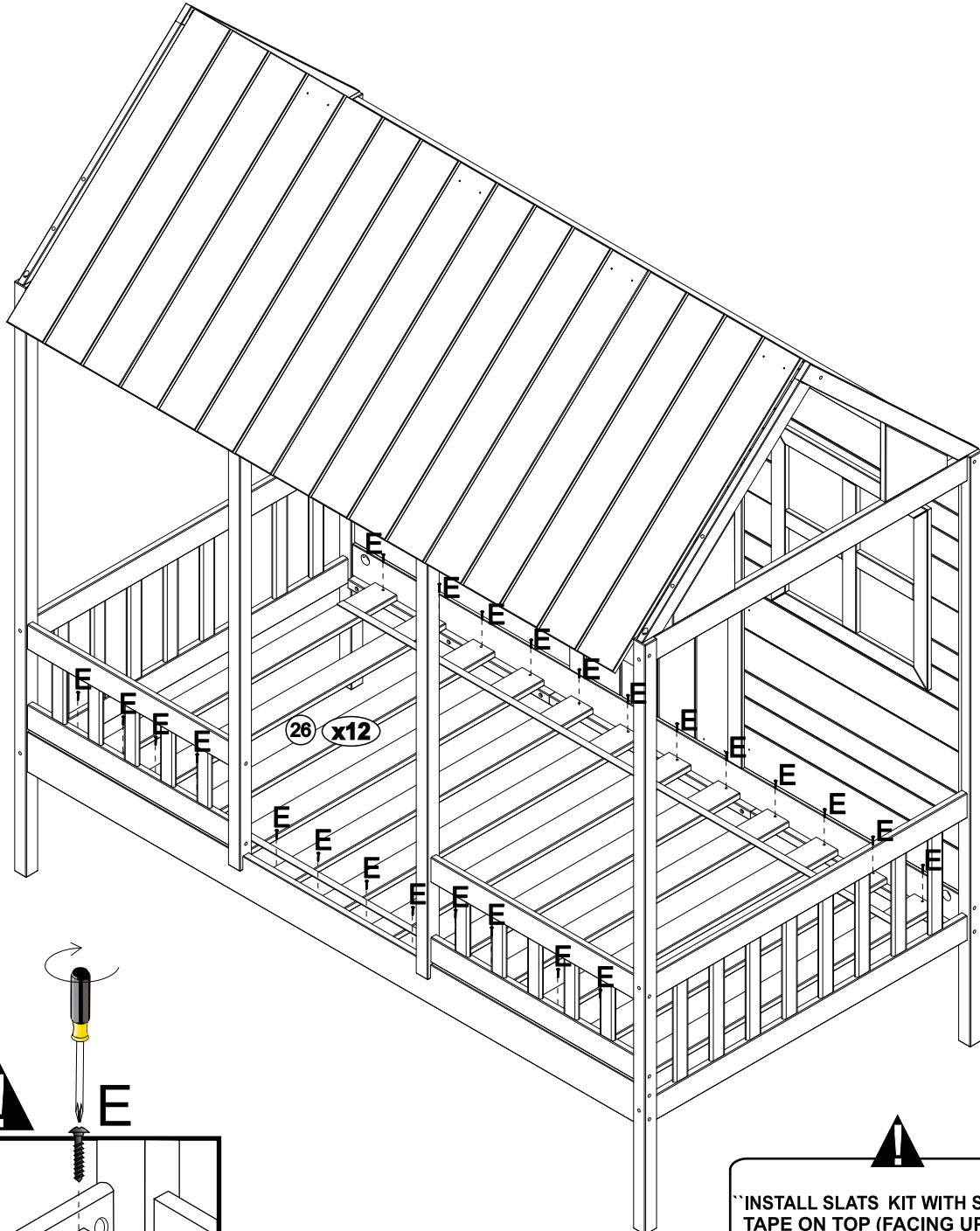
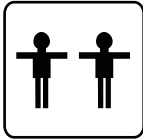
ROOF BOTTOM



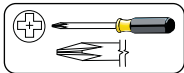
I (x8)



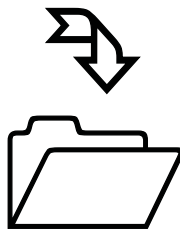
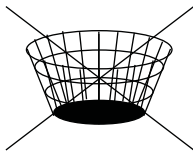
19

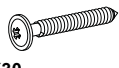


!
"INSTALL SLATS KIT WITH SPACER TAPE ON TOP (FACING UP)"



!
The first slats must be fixed at 3 1/4" from each headboard end.



E	 Ø 3,5X30	24
----------	---	-----------