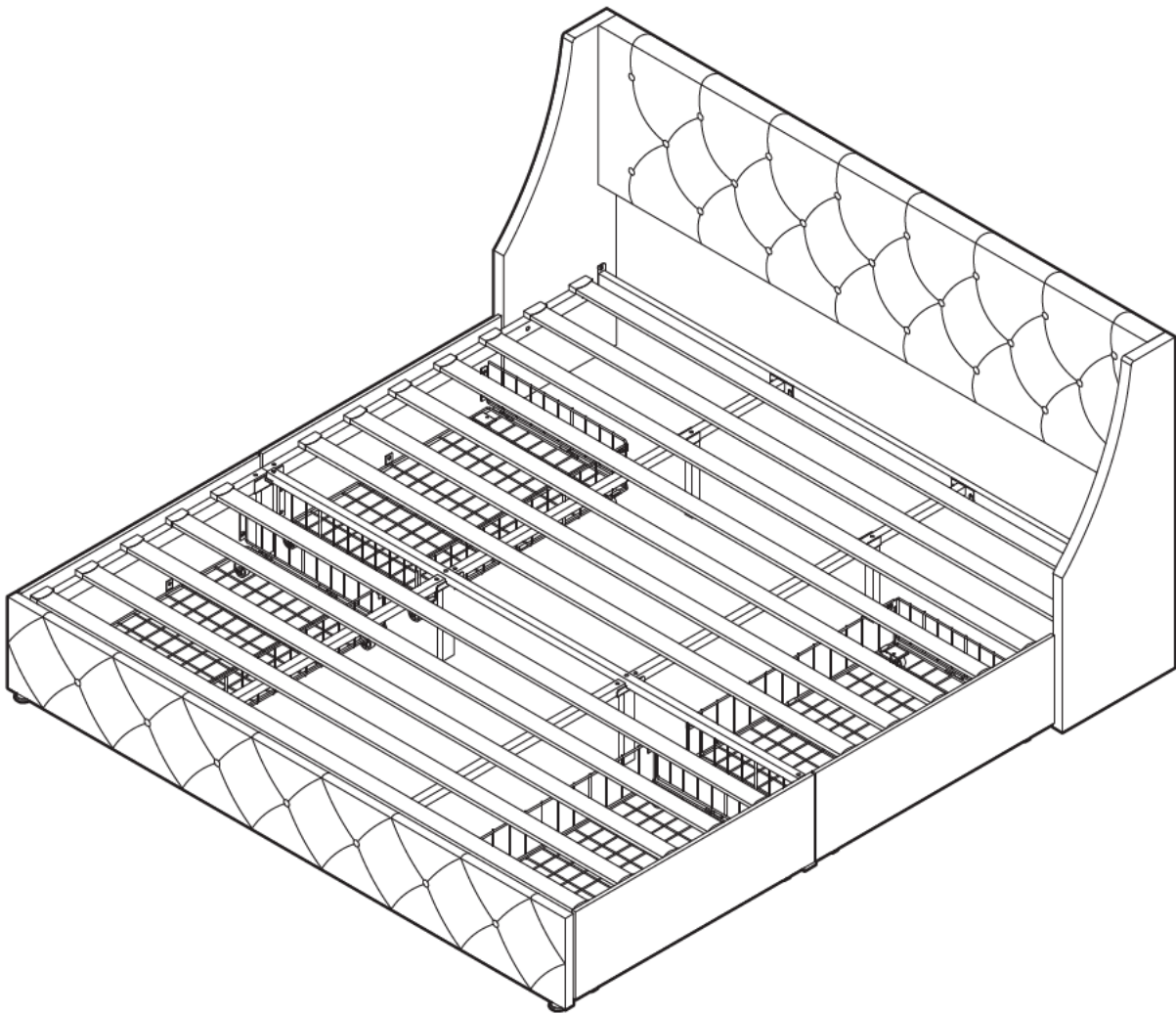


# PLATFORM BED

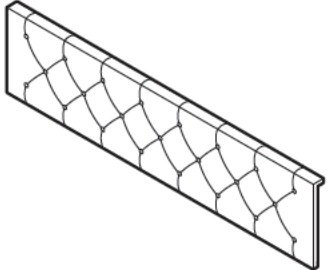
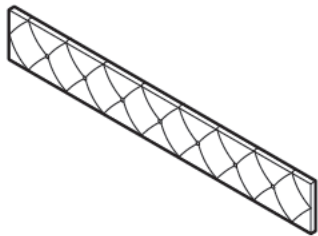
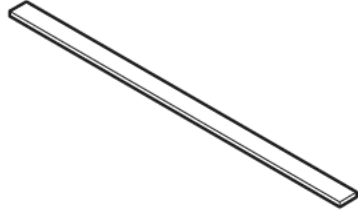
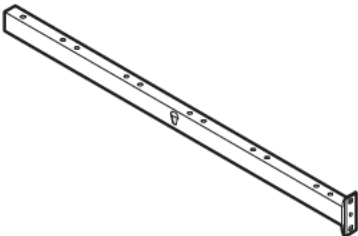
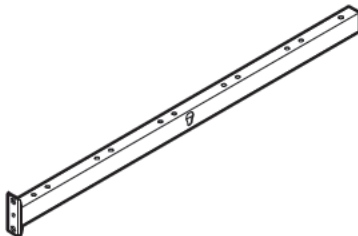
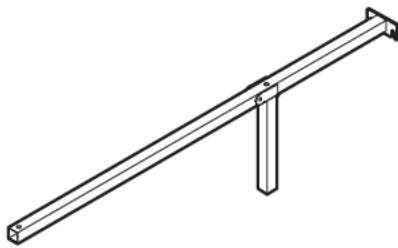
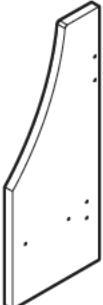

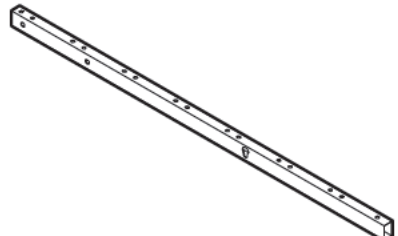
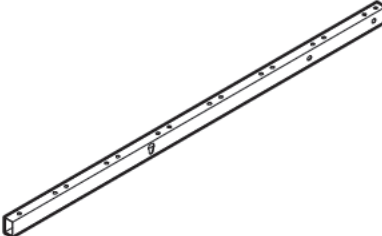
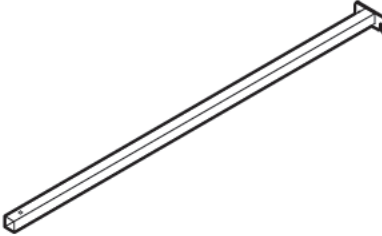
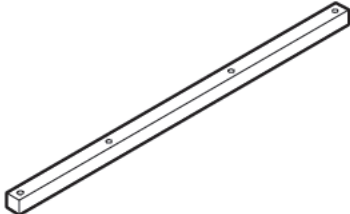
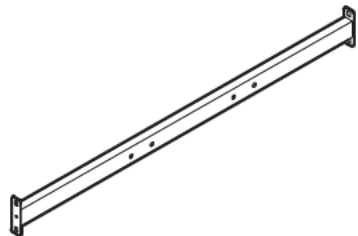
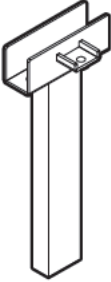
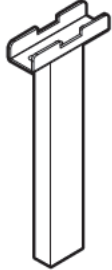
## ORIGINAL INSTRUCTION MANUAL

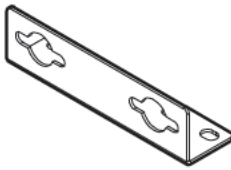
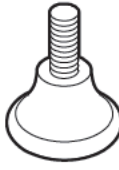
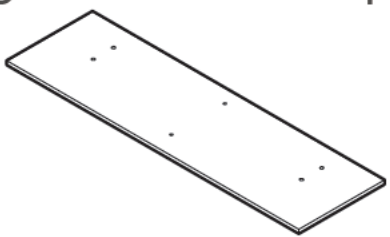
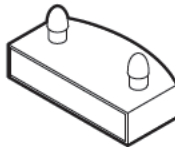

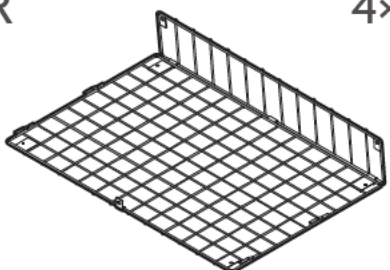
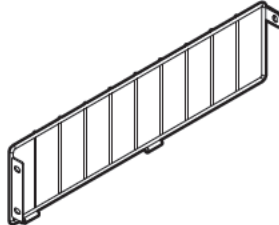
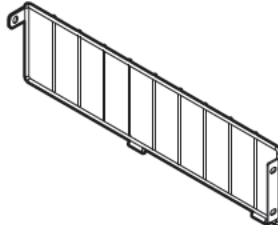
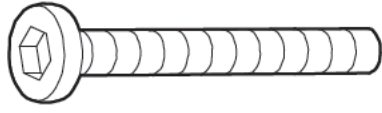
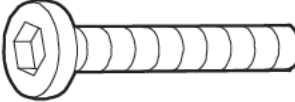
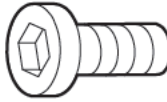
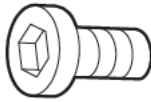

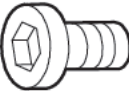
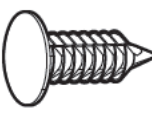
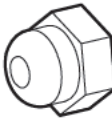






### DEAR CUSTOMER,

Thank you for choosing our product. Please read this manual carefully before assembling or using the product, to avoid damage caused by improper use. If the product is passed on to third parties, this manual has to be passed on along with the product. For any question don't hesitate to contact us.

# PARTS LIST

<p>A 1×</p> 	<p>B 1×</p> 	<p>C 12×</p> 
<p>D1 1×</p> 	<p>D2 1×</p> 	<p>E 2×</p> 
<p>F1 1×</p> 	<p>F2 1×</p> 	<p>G1 1×</p> 
<p>G2 1×</p> 	<p>H 2×</p> 	<p>I 1×</p> 
<p>J 1×</p> 	<p>K 2×</p> 	<p>L 2×</p> 

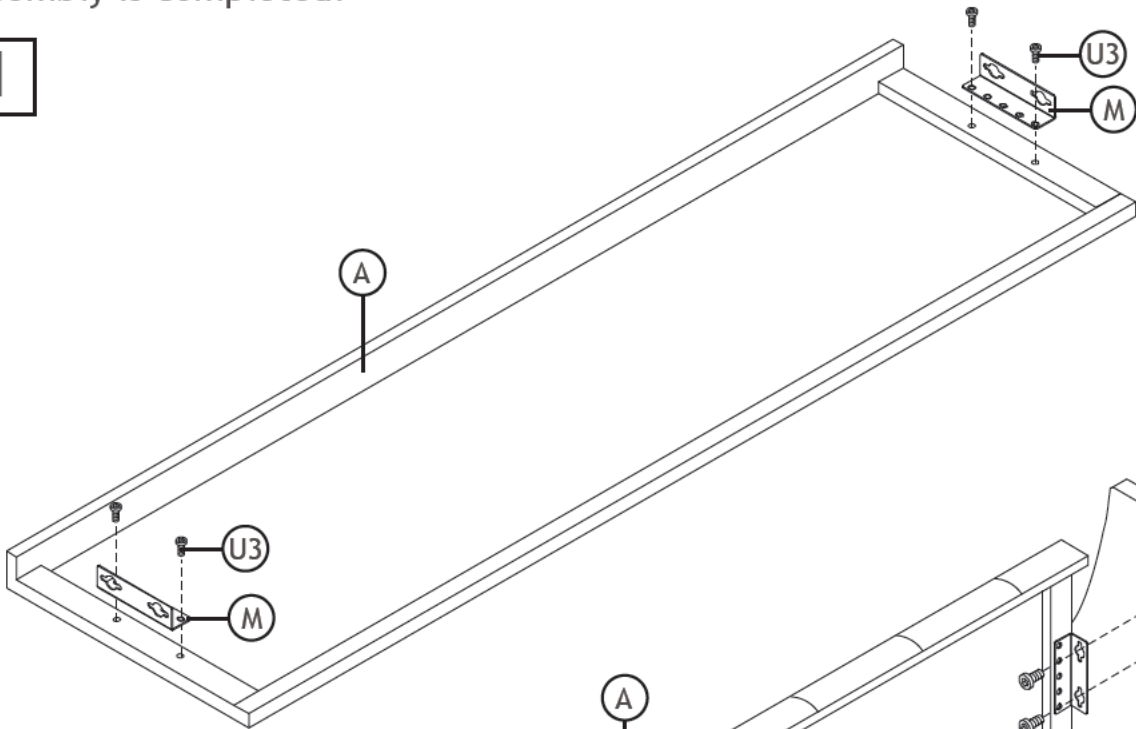
M  2×	N  2×	O  4×	
P  24×	Q  16×	R  4×	
S  4×	T  4×	U1  10× M8×50mm	
U2  8× M8×40mm	U3  20× M8×25mm	U4  4× M8×16mm	
U5  4× M8×12mm	U6  28× M6×12mm	U7  16×	V  8× M6
W  18× M8× $\phi$ 22mm	X  1× M6	Y  1× M8 Spanner	Z  1× M6 Spanner

# ASSEMBLY

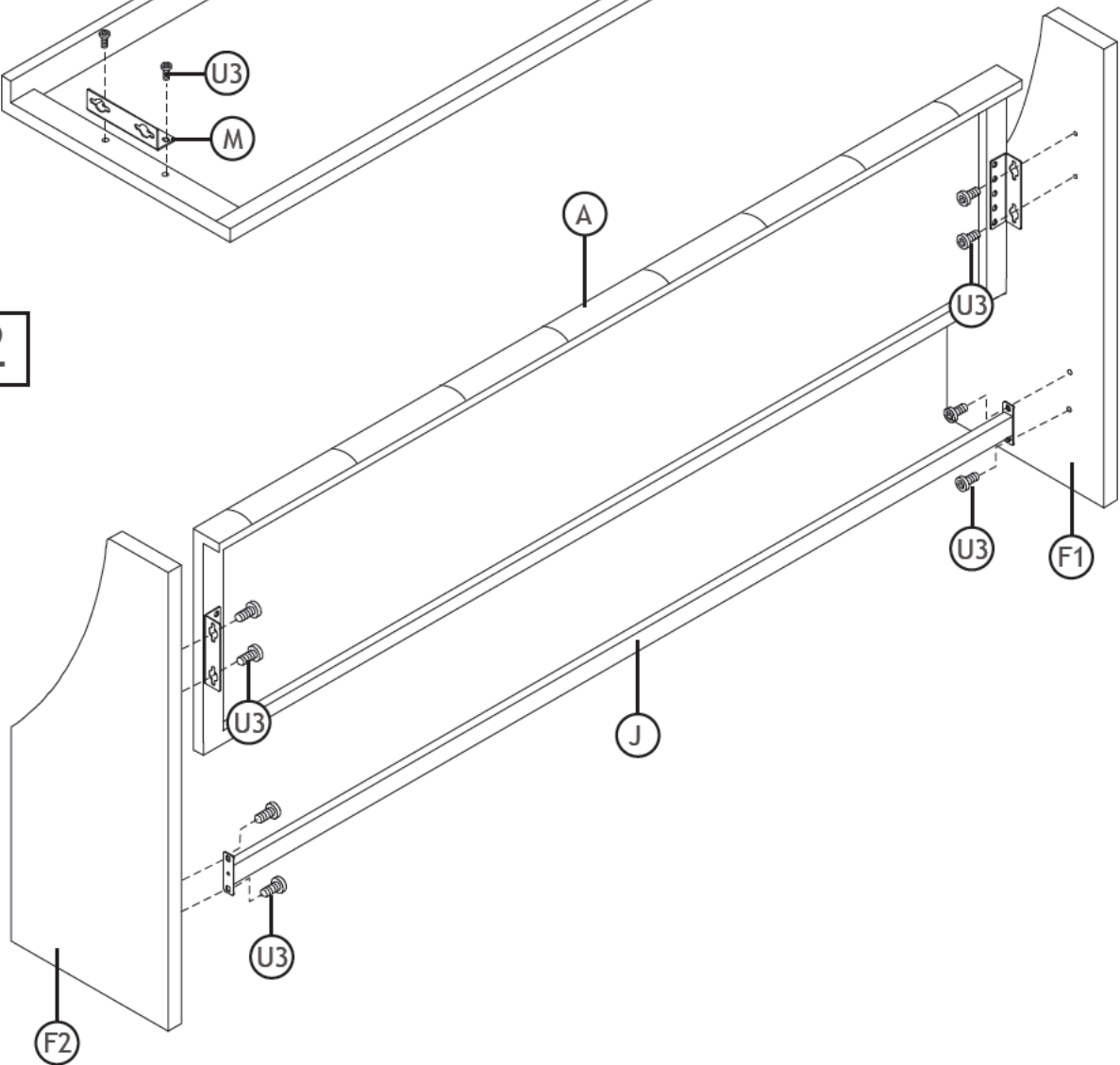
Before your installation, please make sure that you have all the parts listed on the manual. If you find something missing, stop installing and contact your supplier immediately.

**NOTE:** Please do not completely tighten all the hardware until the entire assembly is completed!

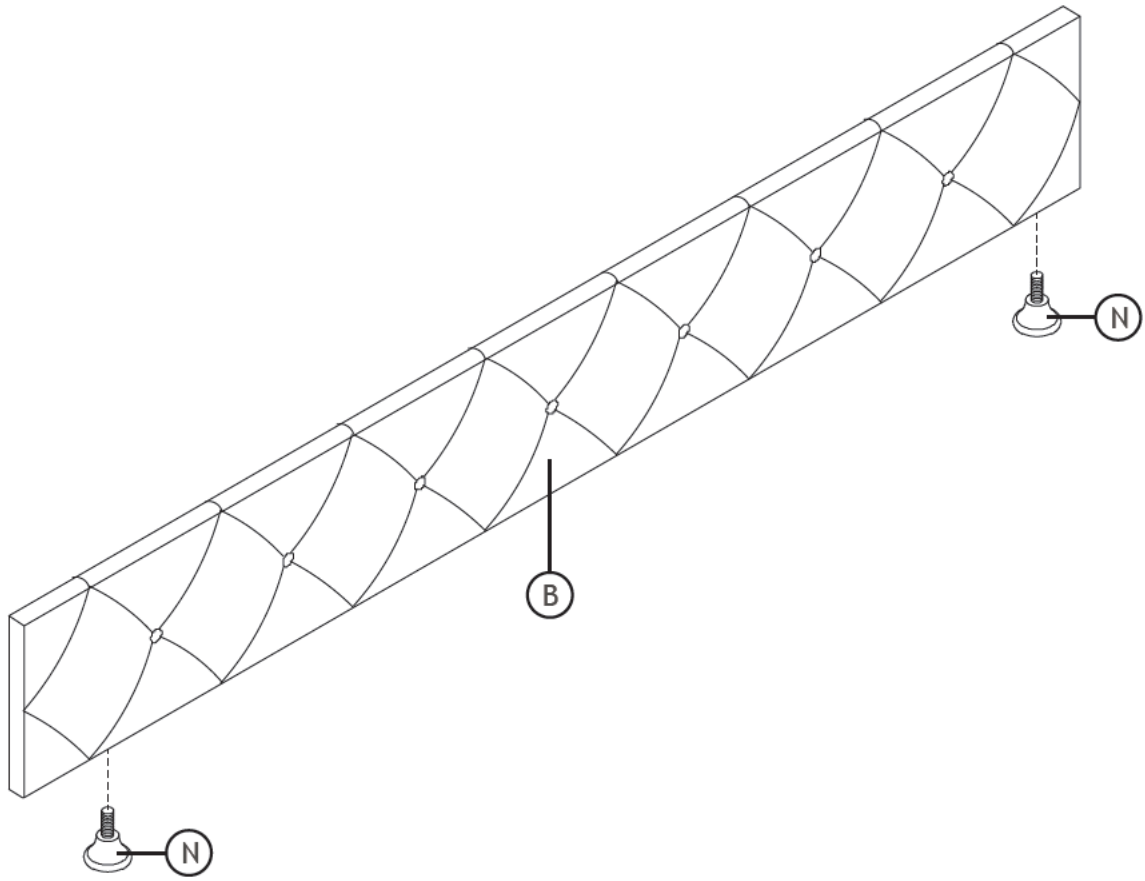
1



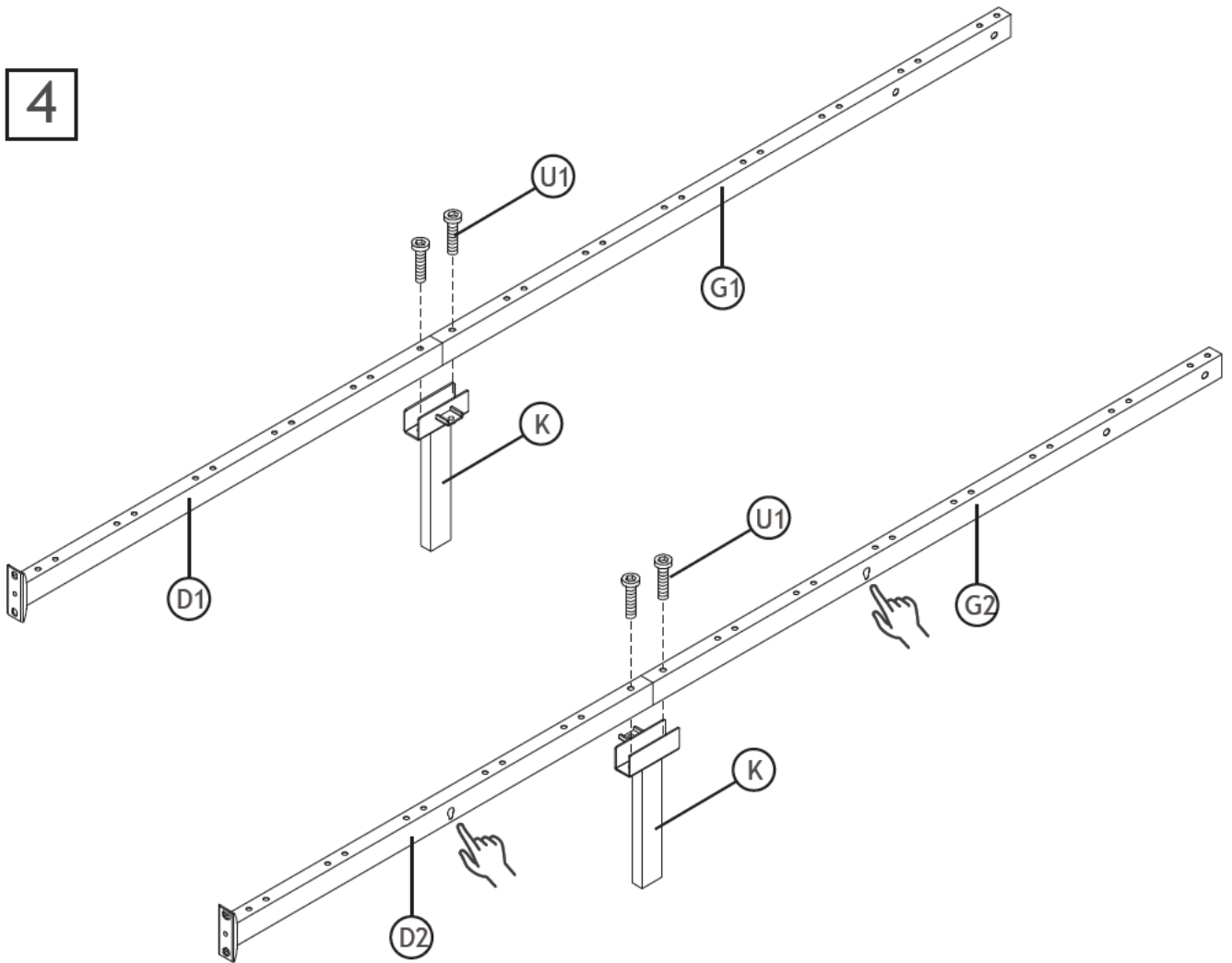
2



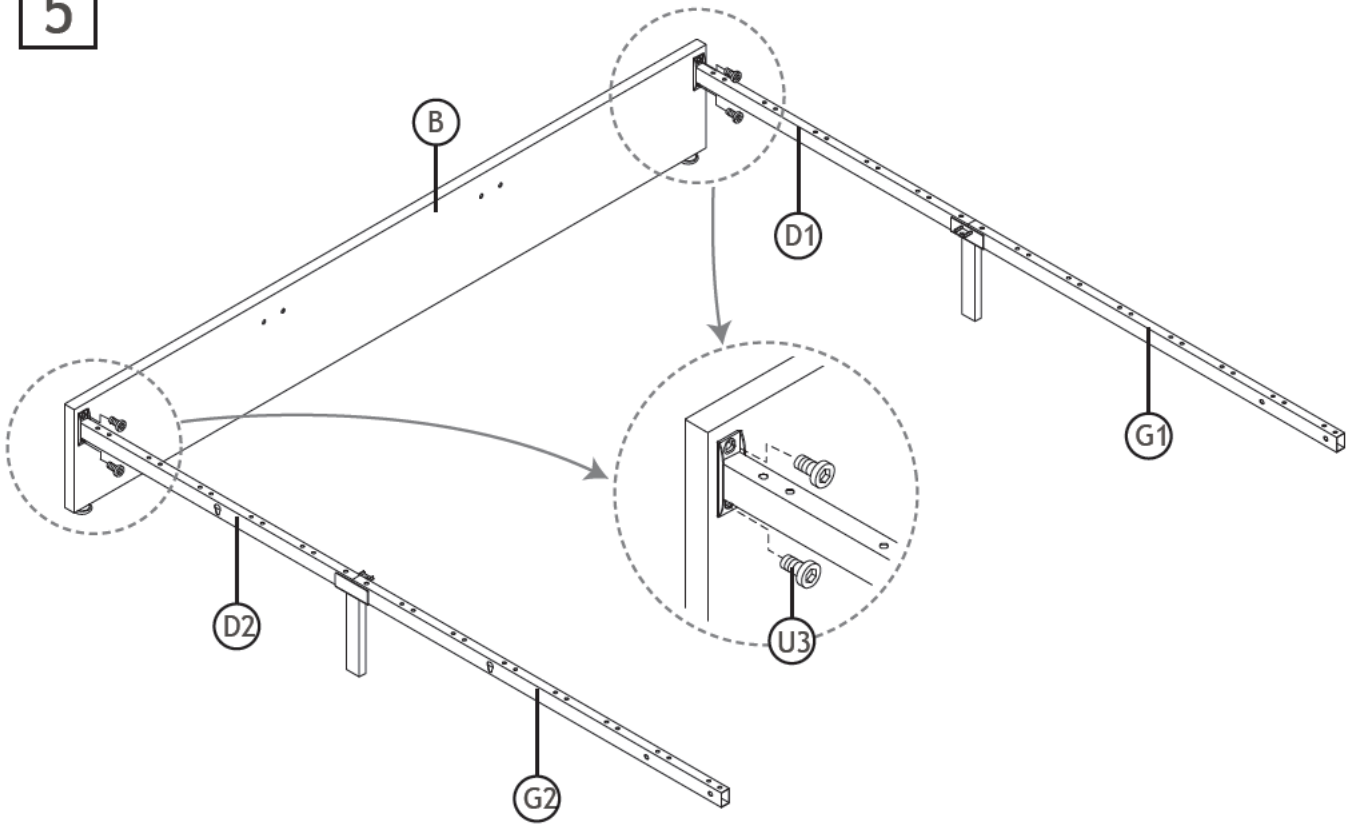
3



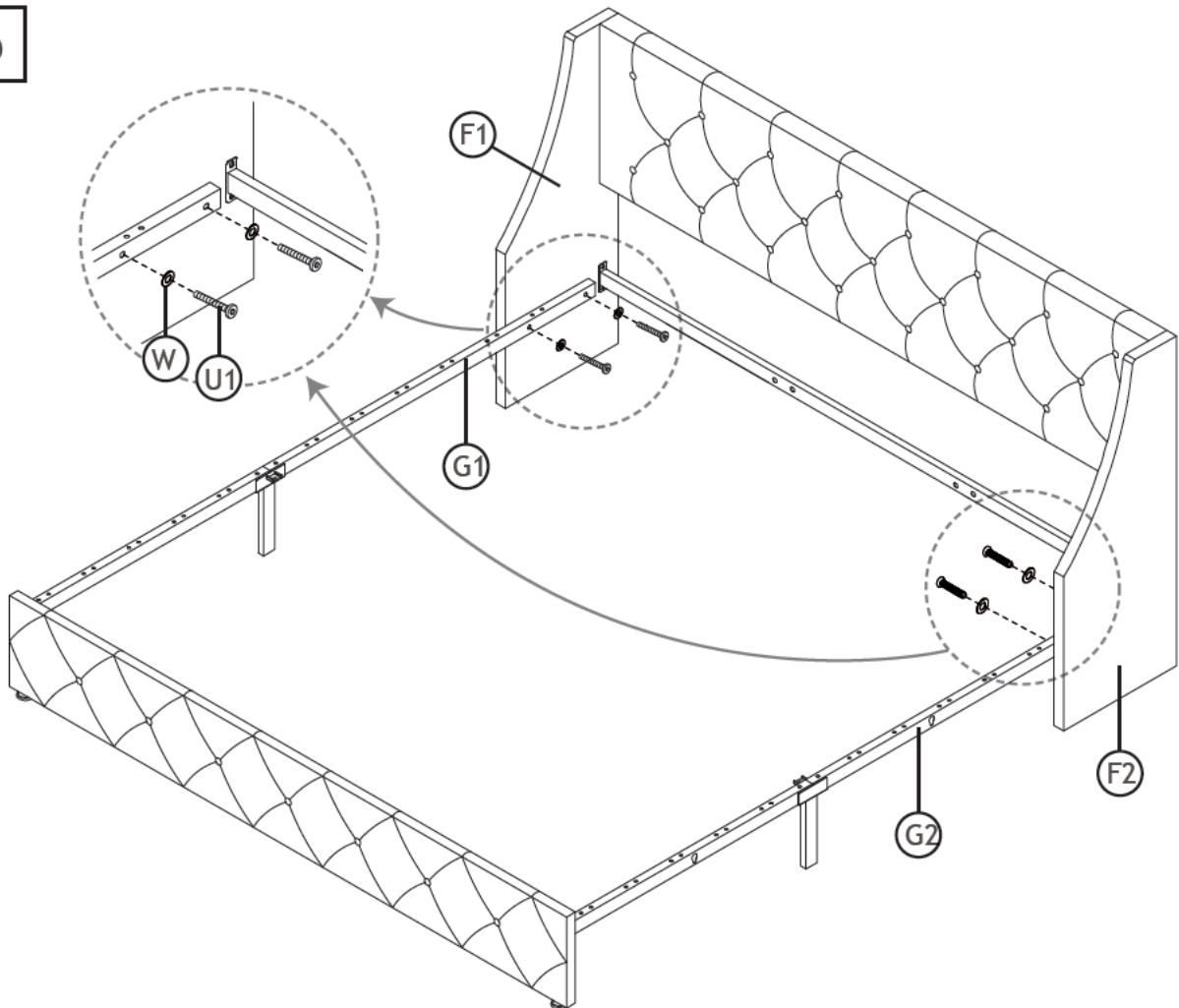
4



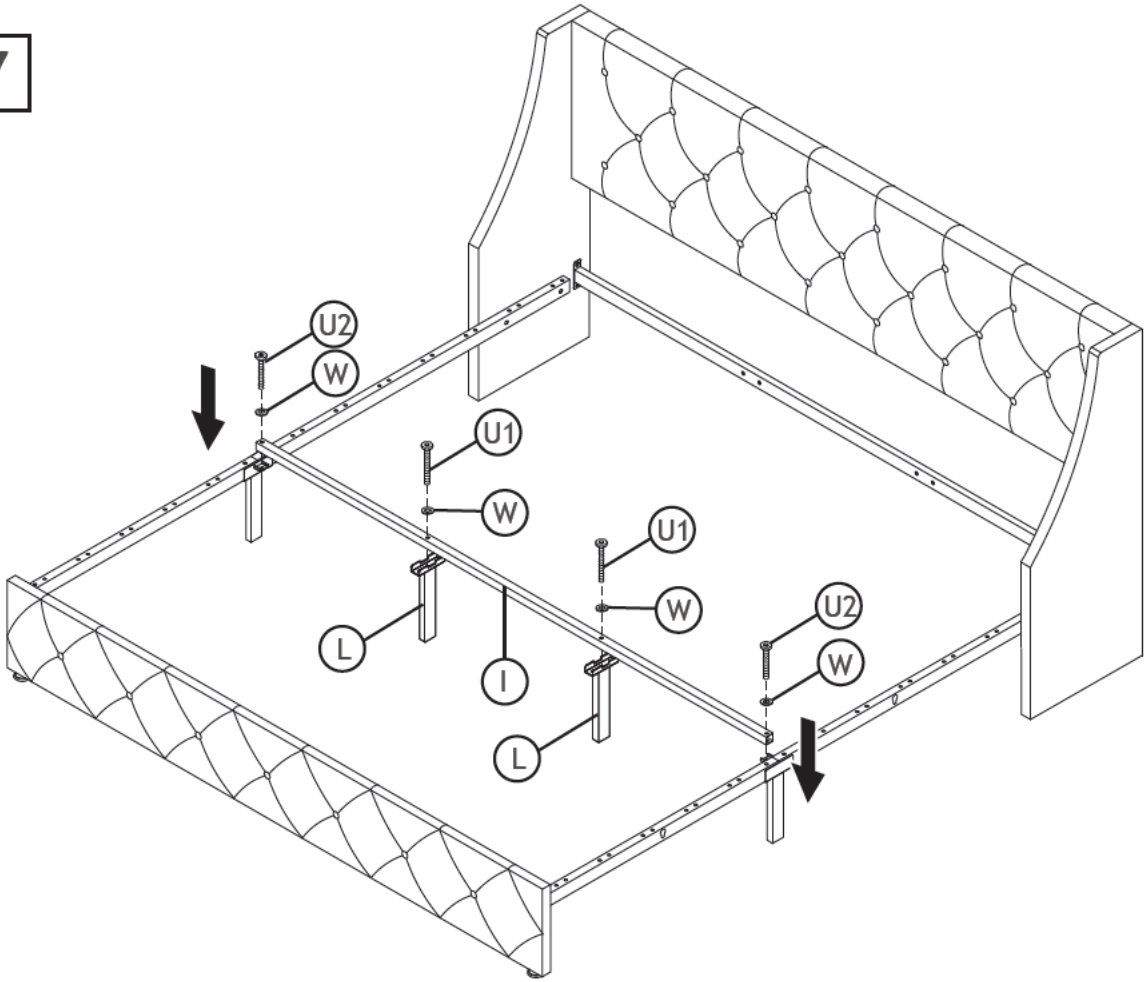
5



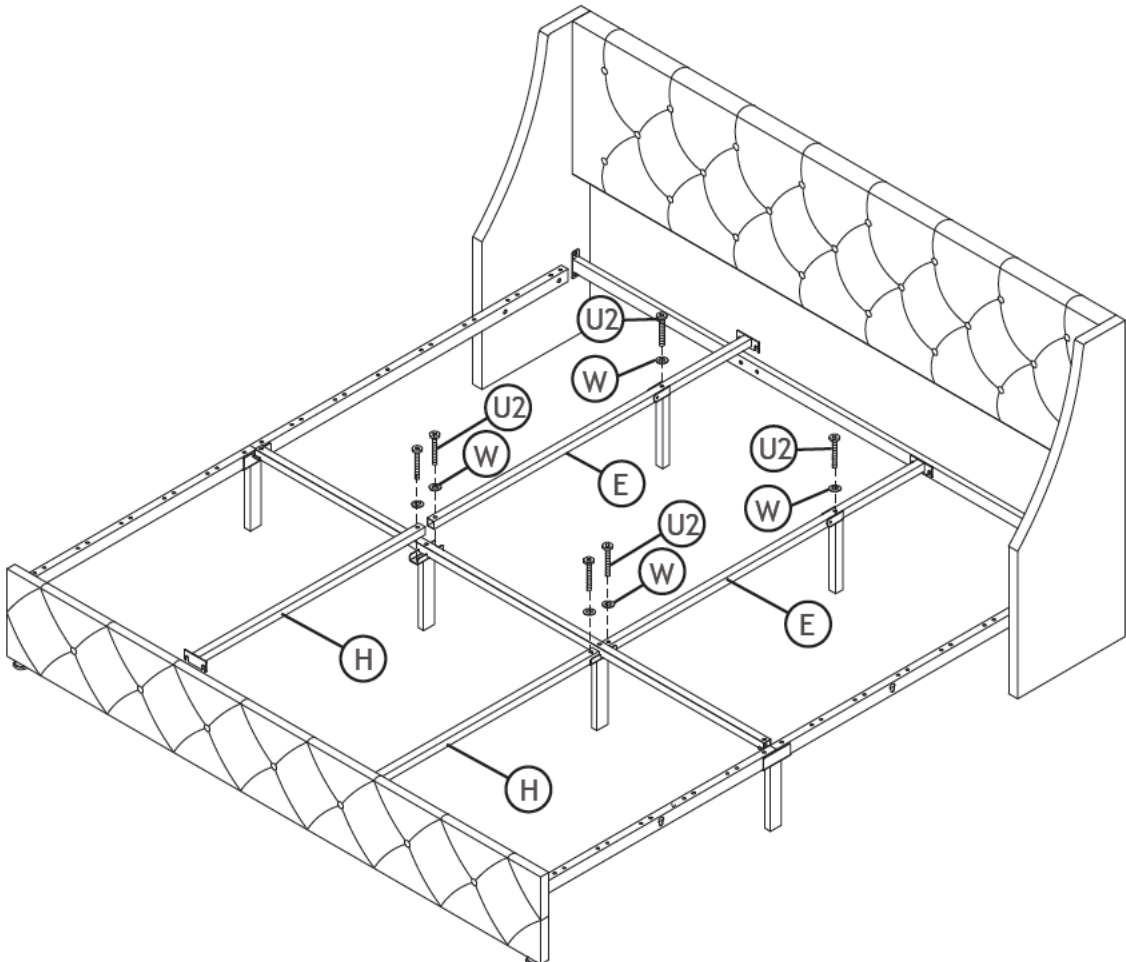
6



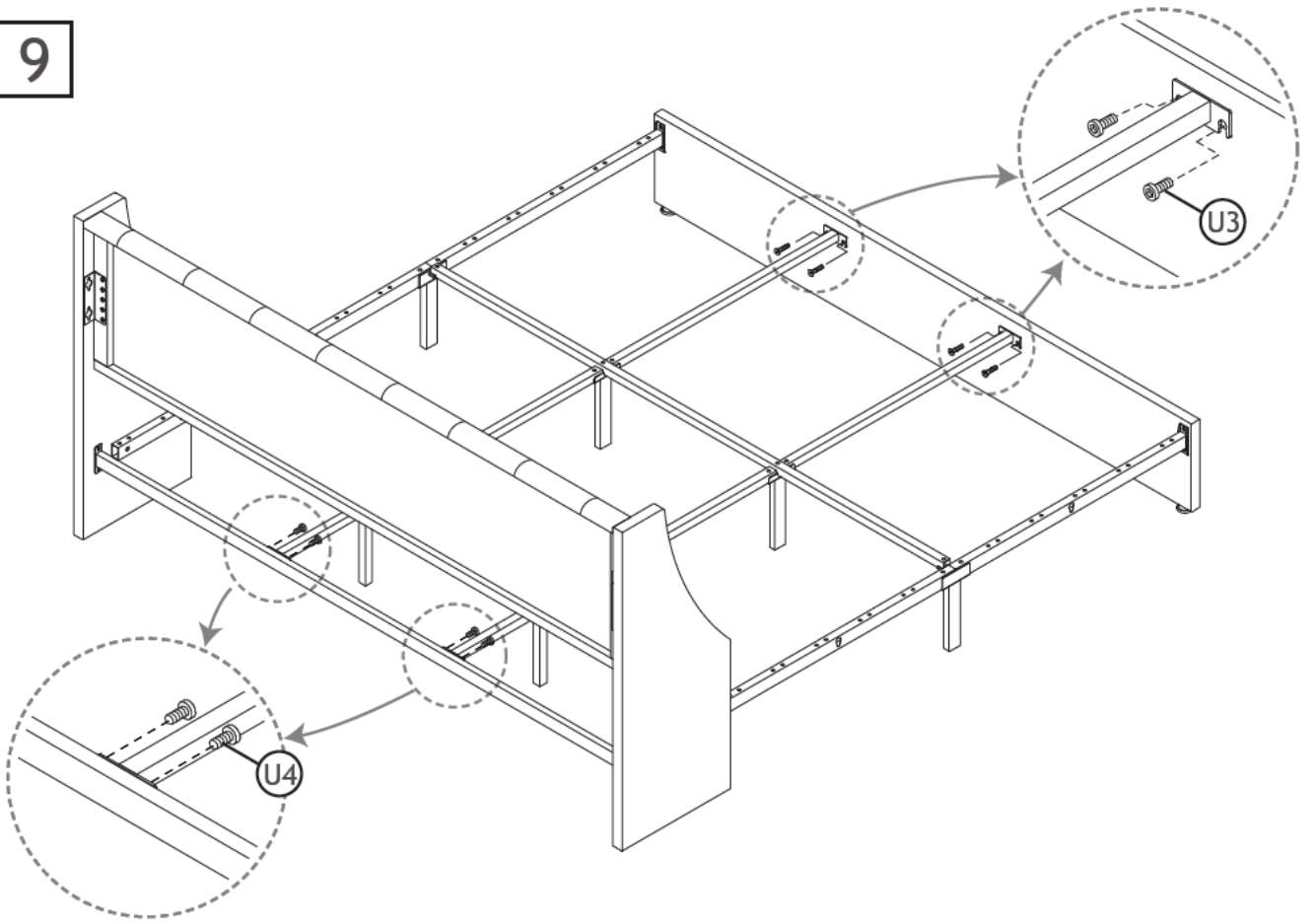
7



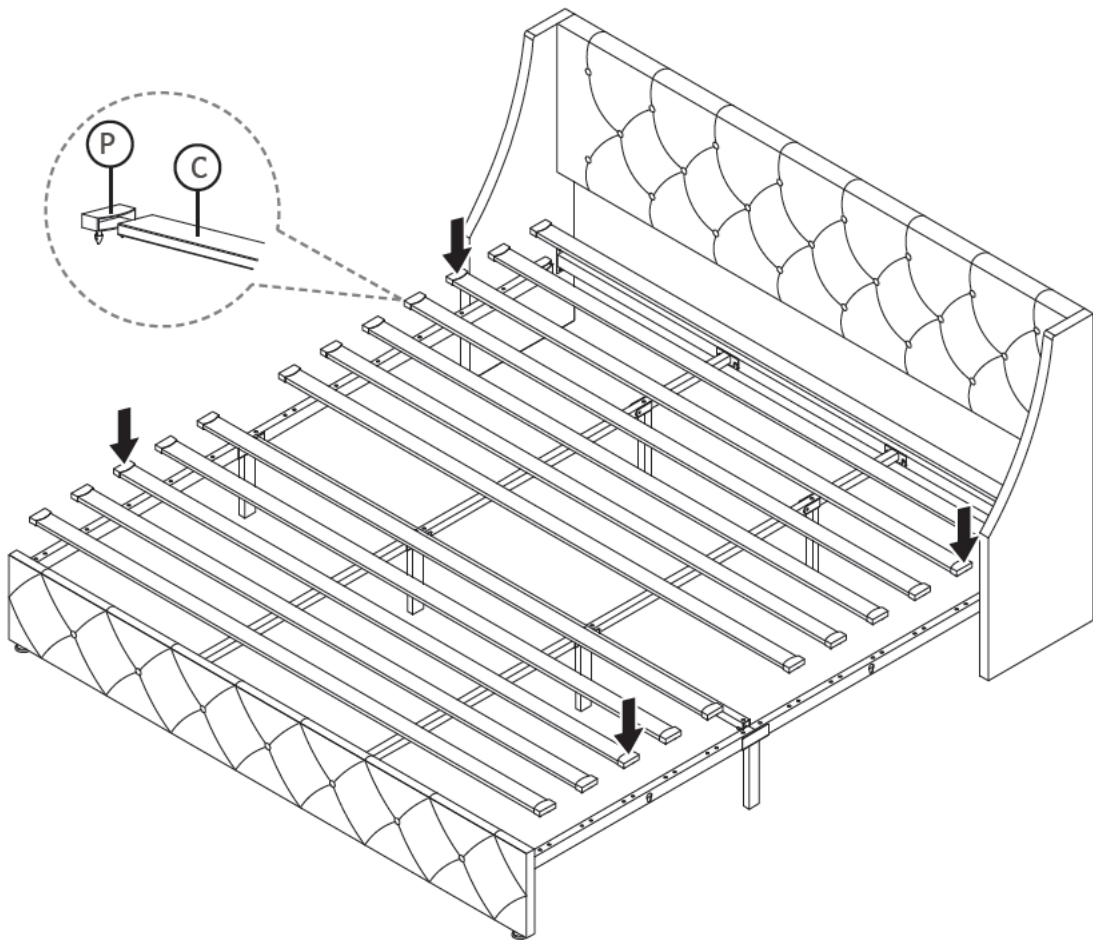
8



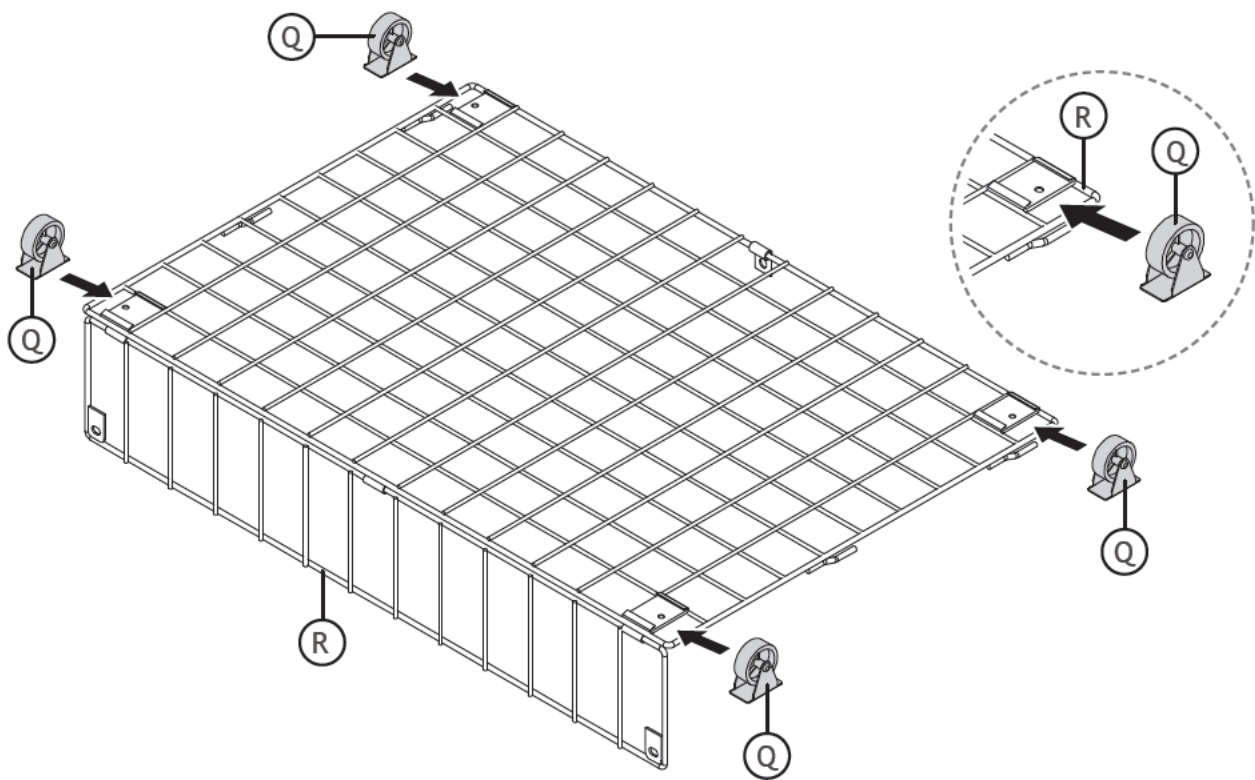
9



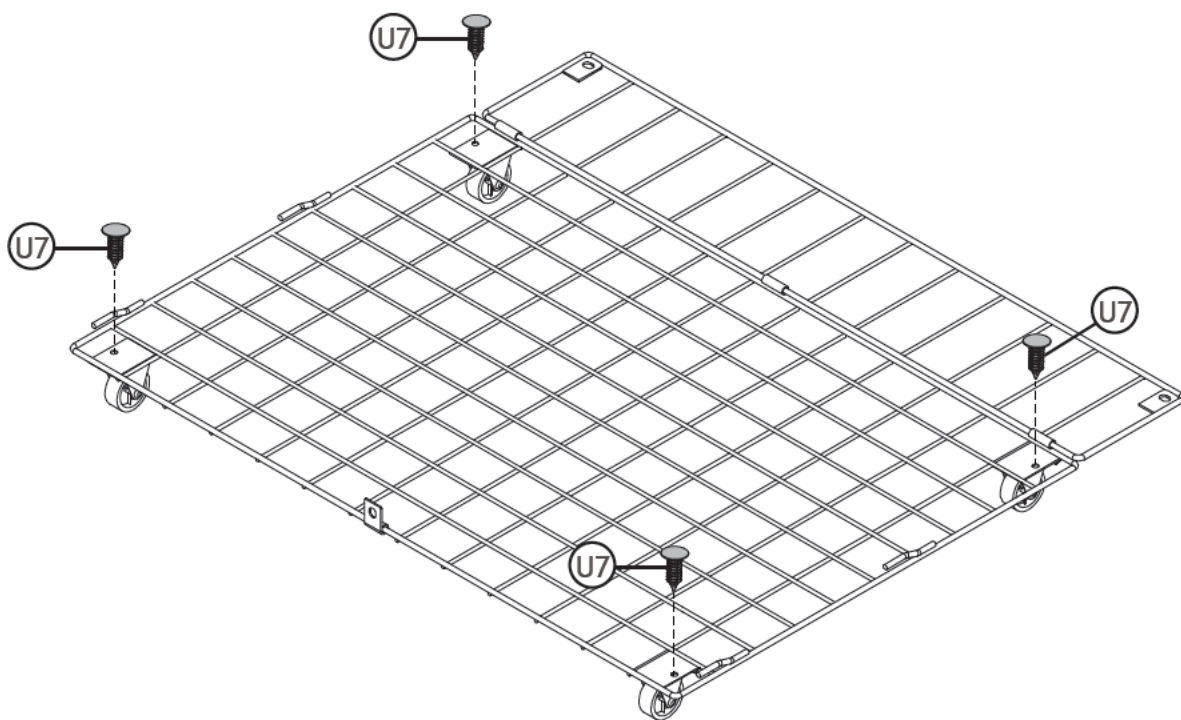
10



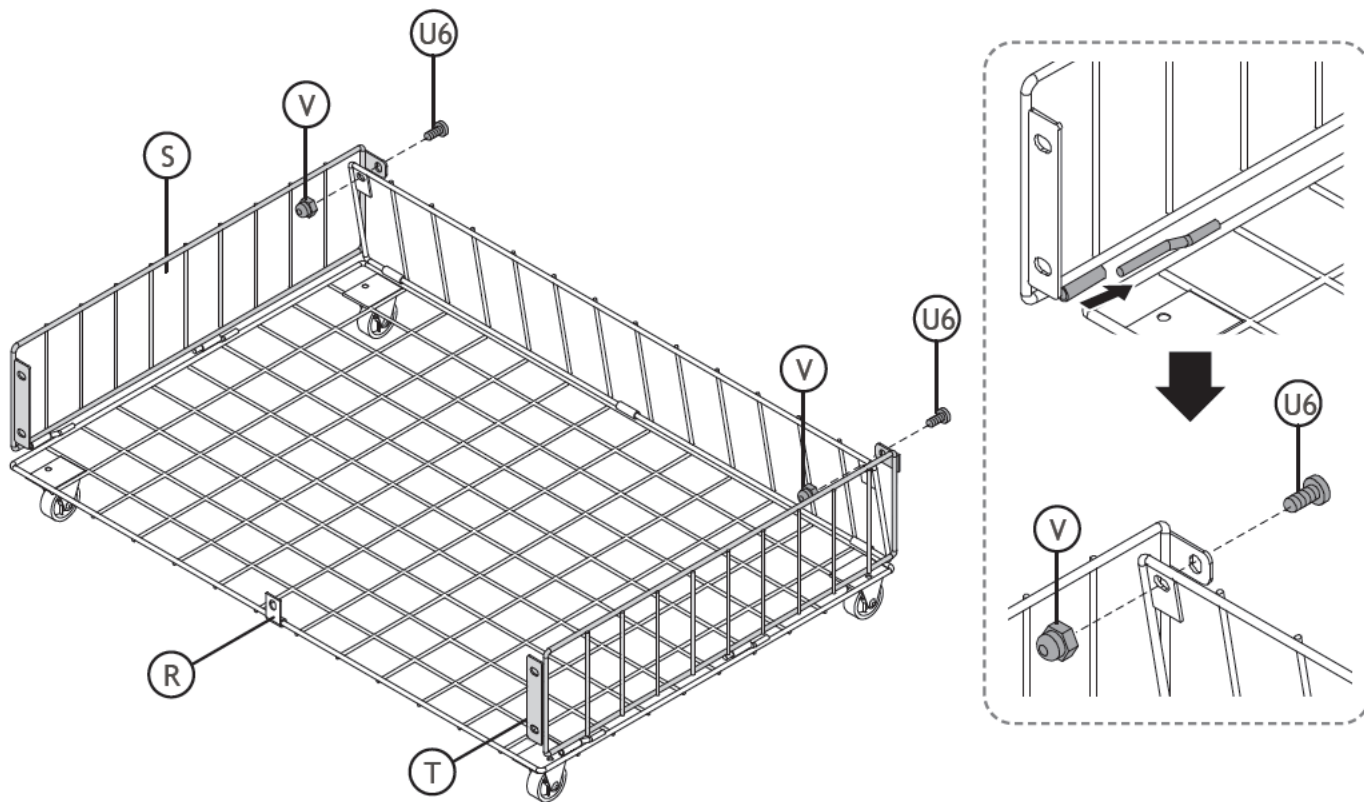
11



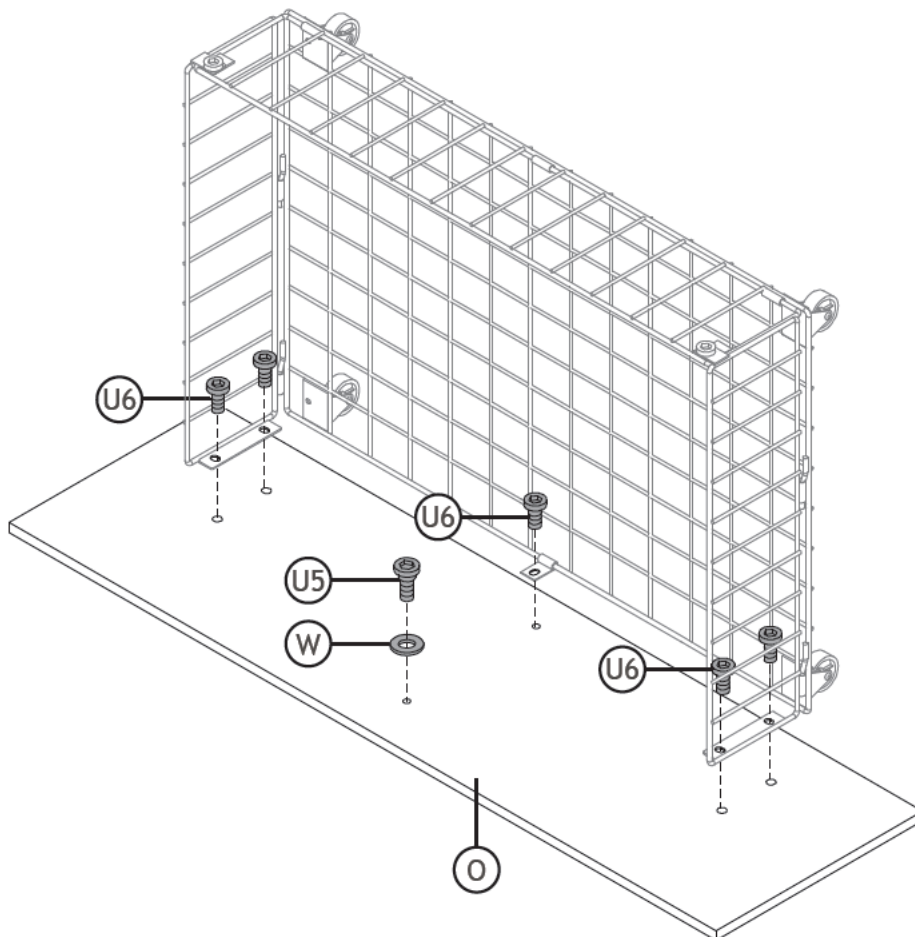
12



13

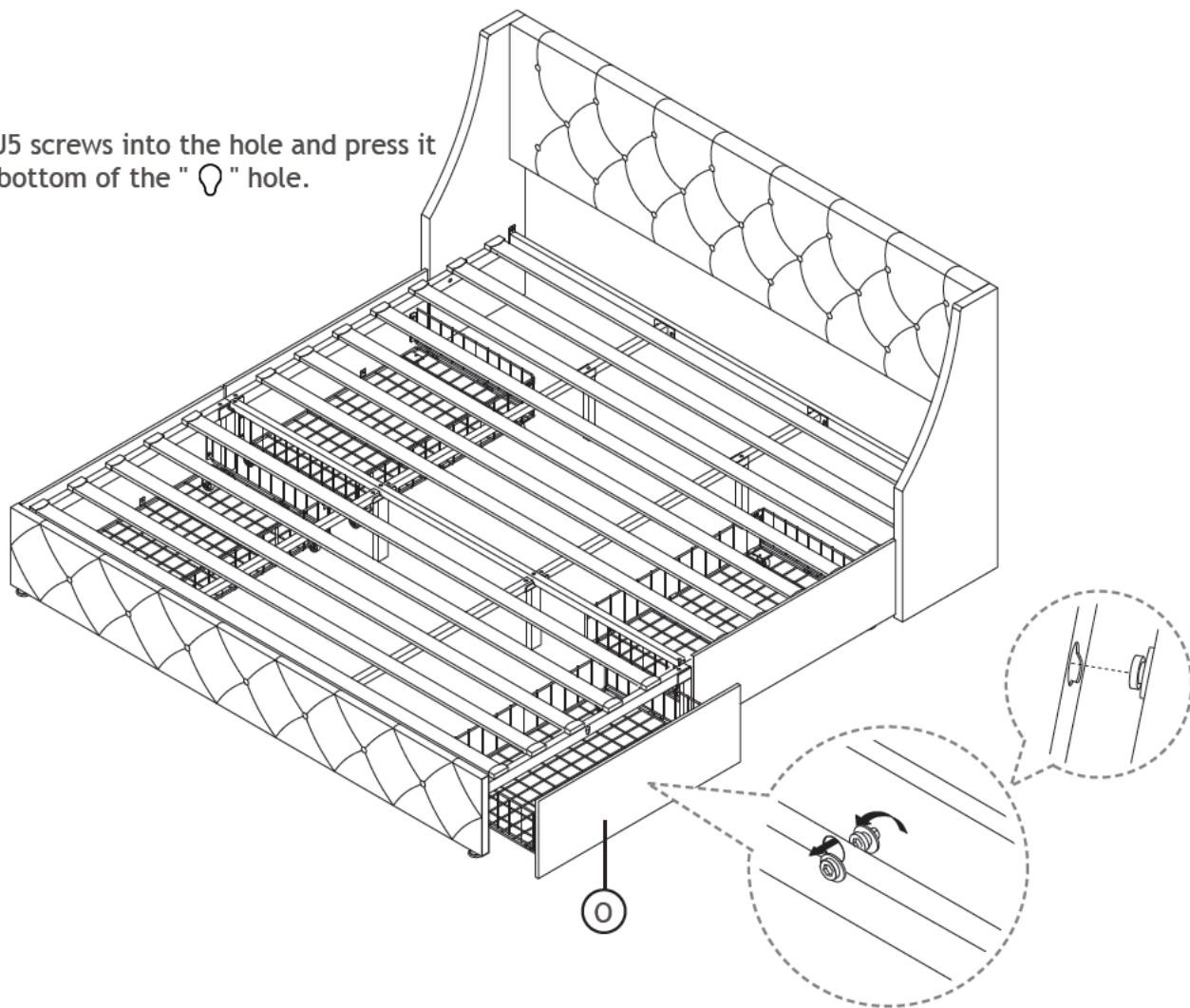


14



15

Put the U5 screws into the hole and press it into the bottom of the "Ⓛ" hole.



16

