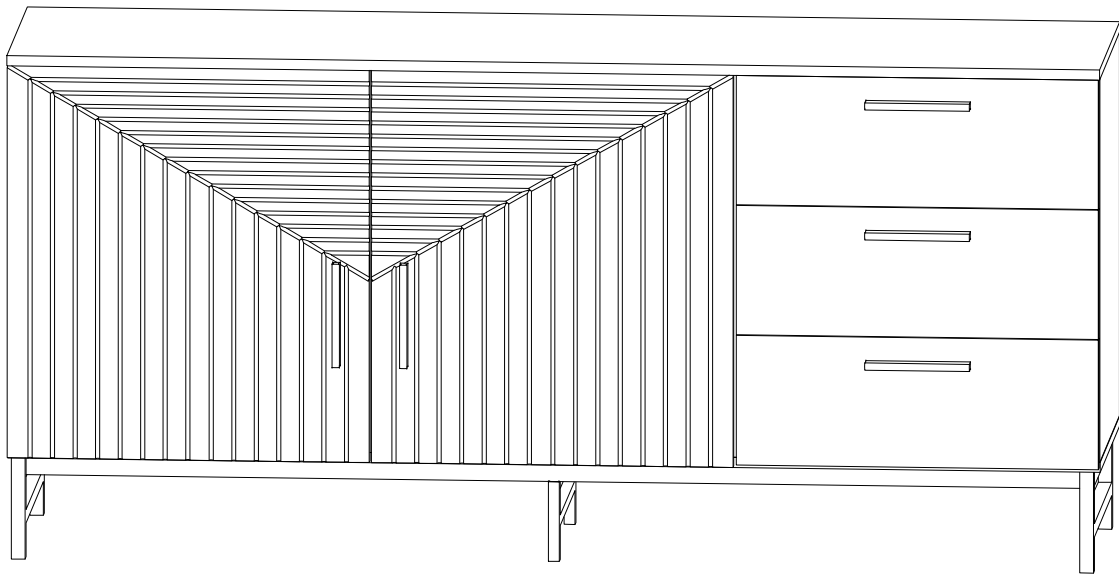
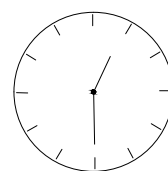
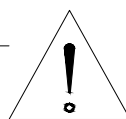
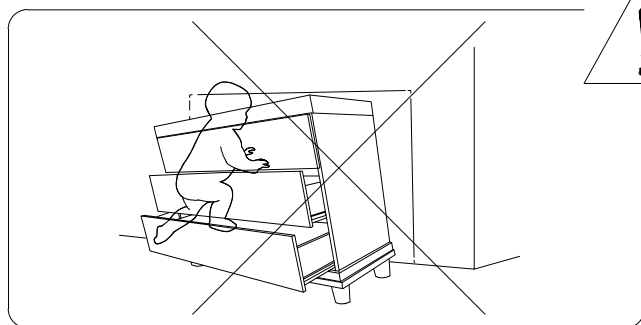
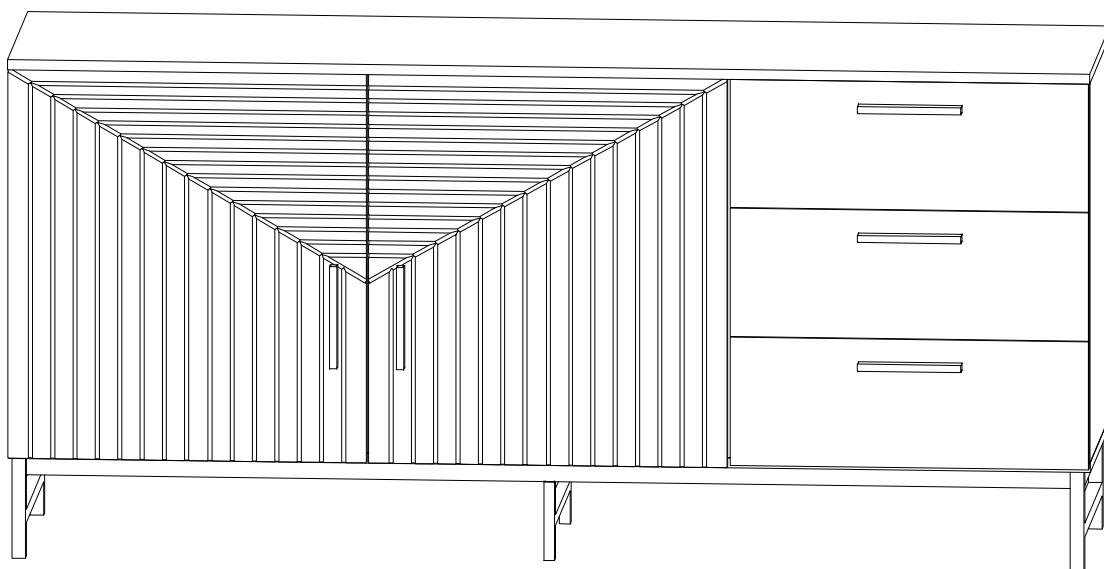


ASSEMBLY INSTRUCTIONS

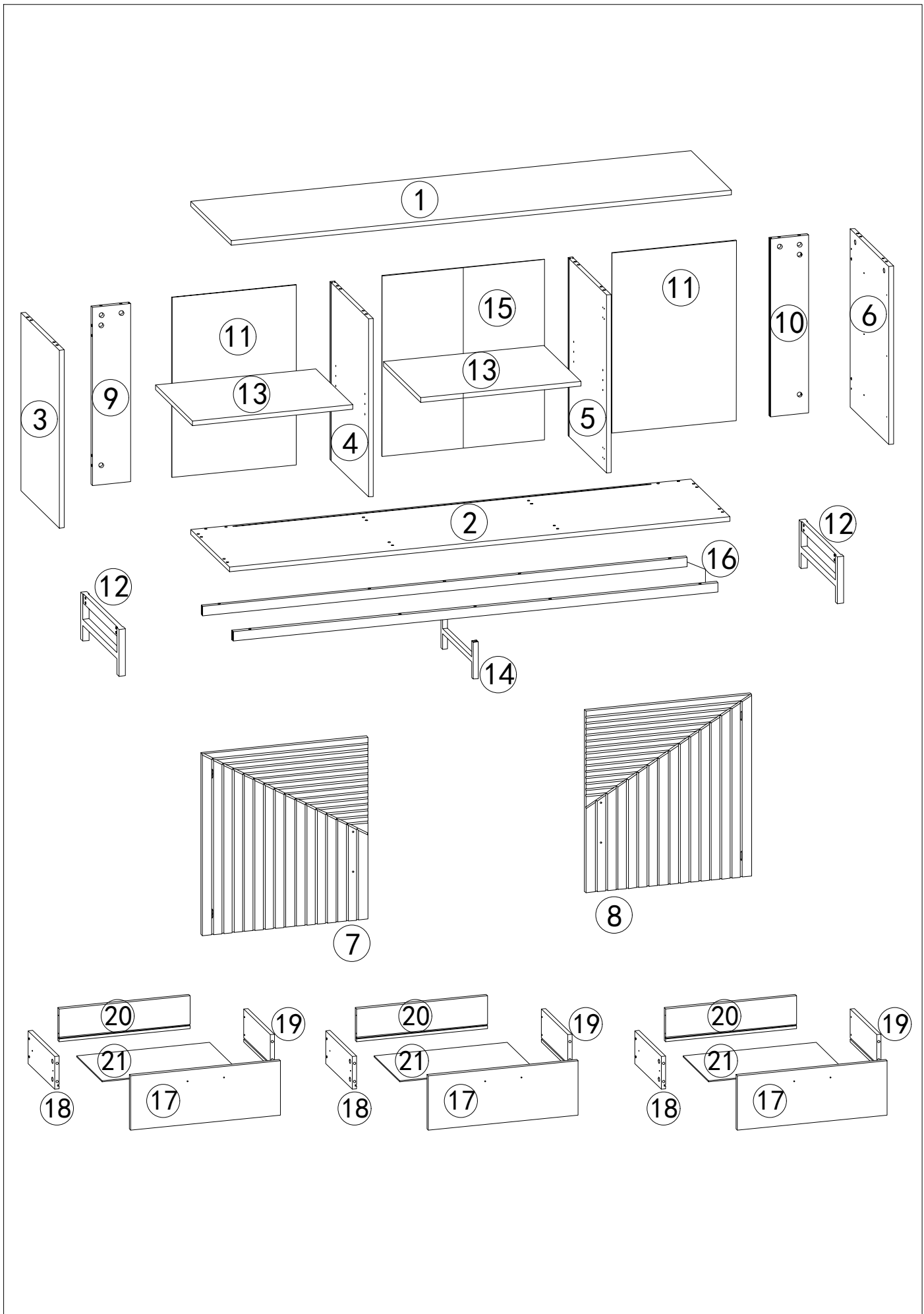




90'



2

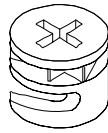


A x 28



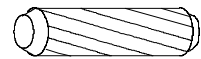
∅ 6 x 35mm

B x 28



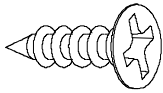
∅ 15 x 12mm

C x 20



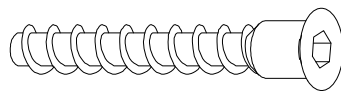
∅ 8 x 30mm

D x 48



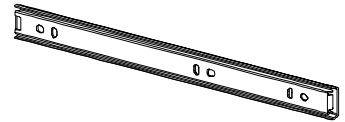
3.5 x 14mm

E x 12

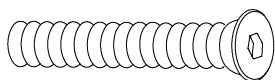


∅ 7 x 40mm

F x 6

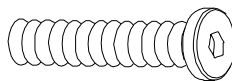


G x 2



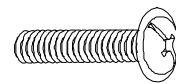
M6 x 50mm

H x 16



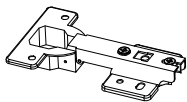
M6 x 40mm

I x 10

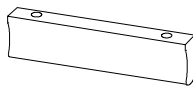


M4 x 18mm

J x 2



K x 5

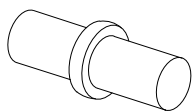


L x 1



M4

M x 8

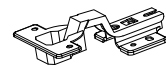


N x 12



4 x 35mm

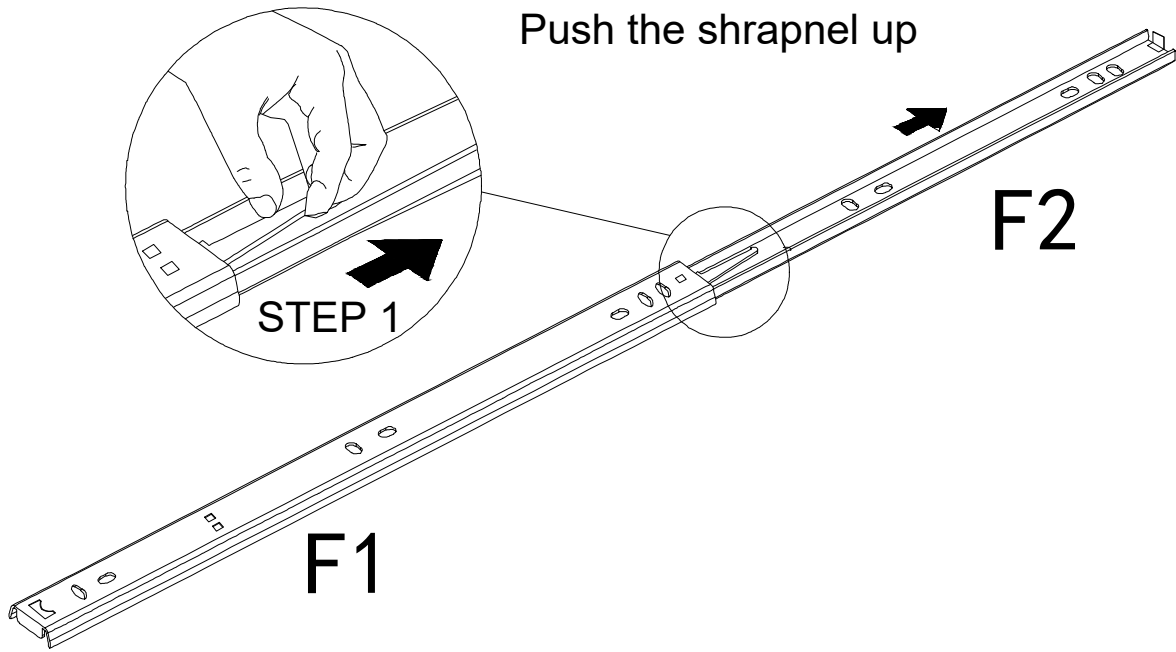
O x 2



x 1

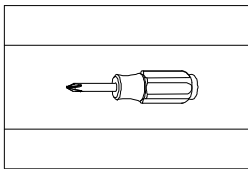
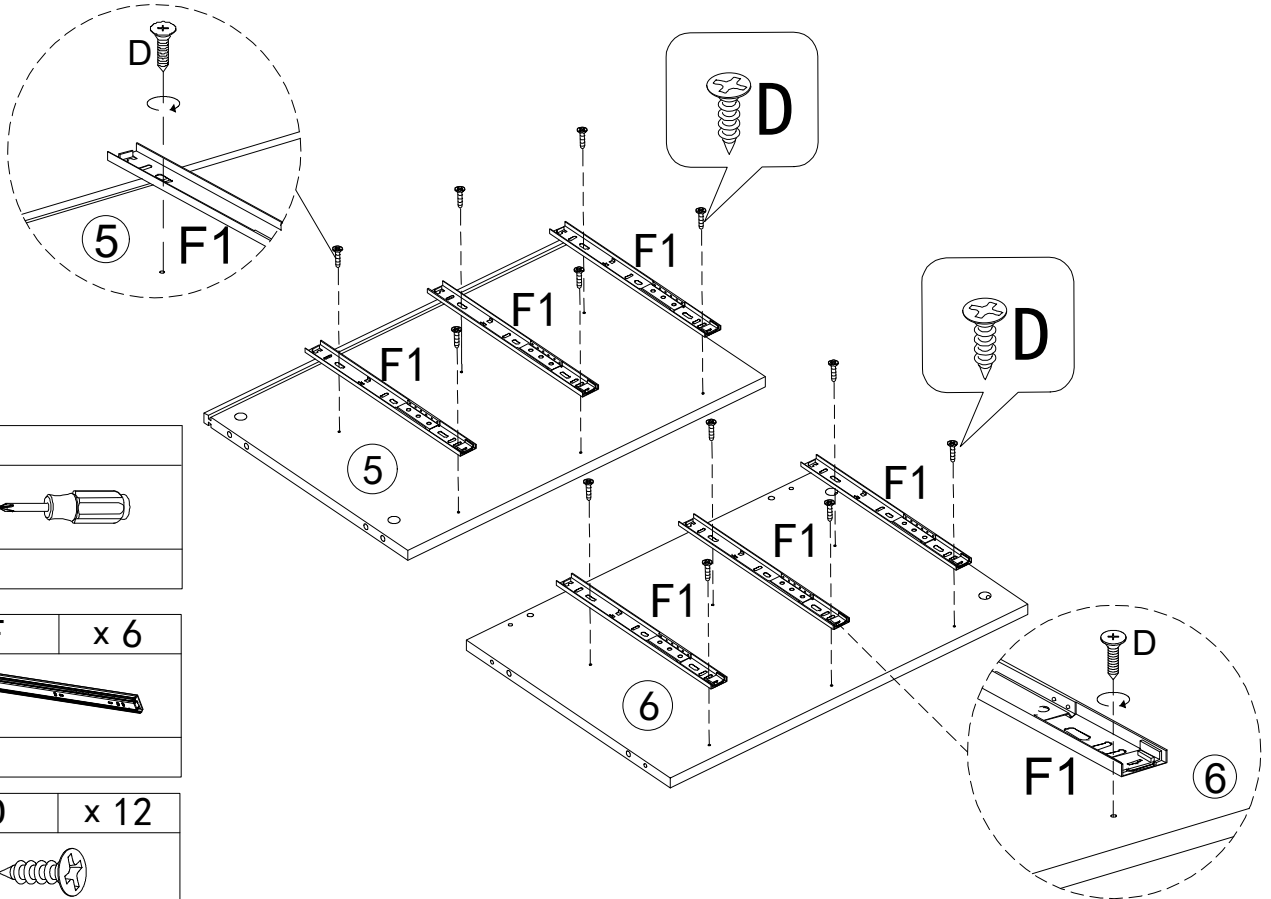


1



F	x 6

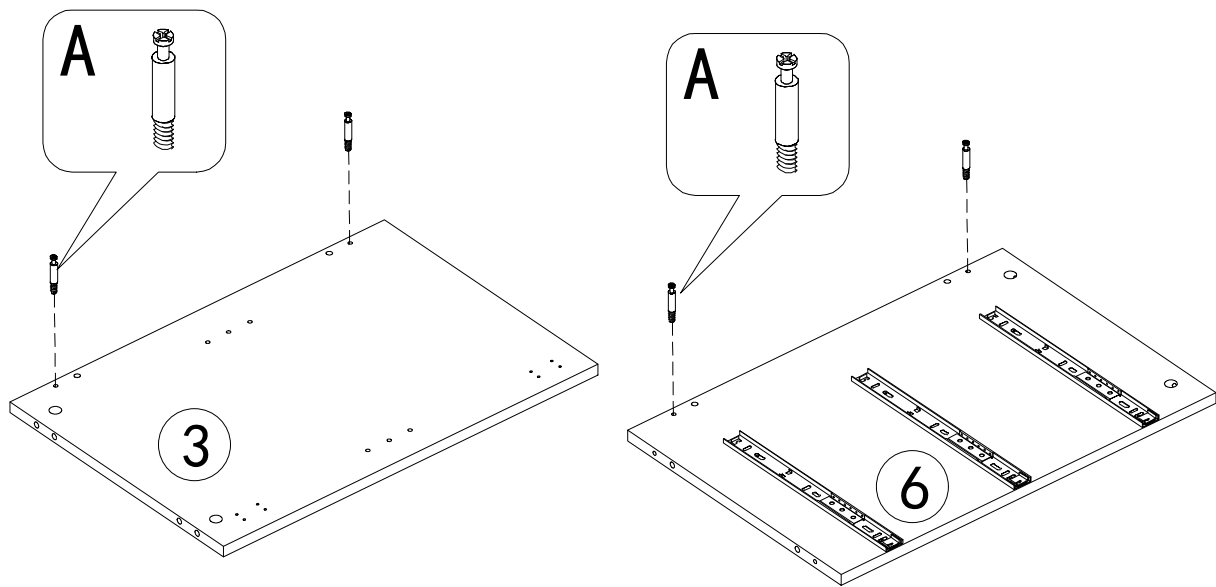
2


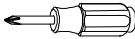


F	x 6

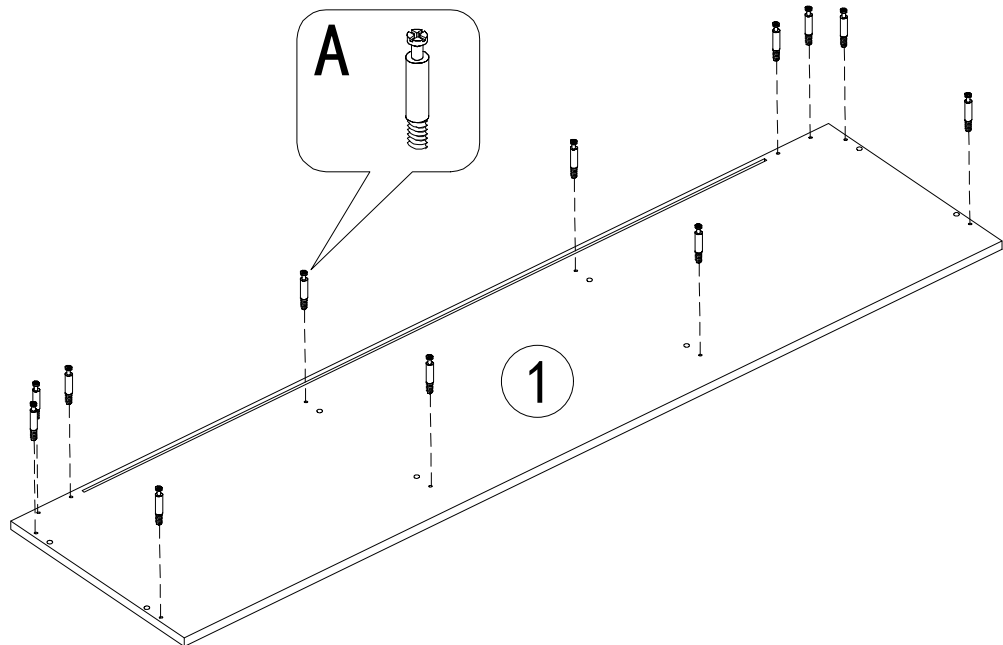
D	x 12
M3.5 x 14mm	

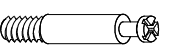

3



A	x 4	
		
$\phi 6 \times 35\text{mm}$		

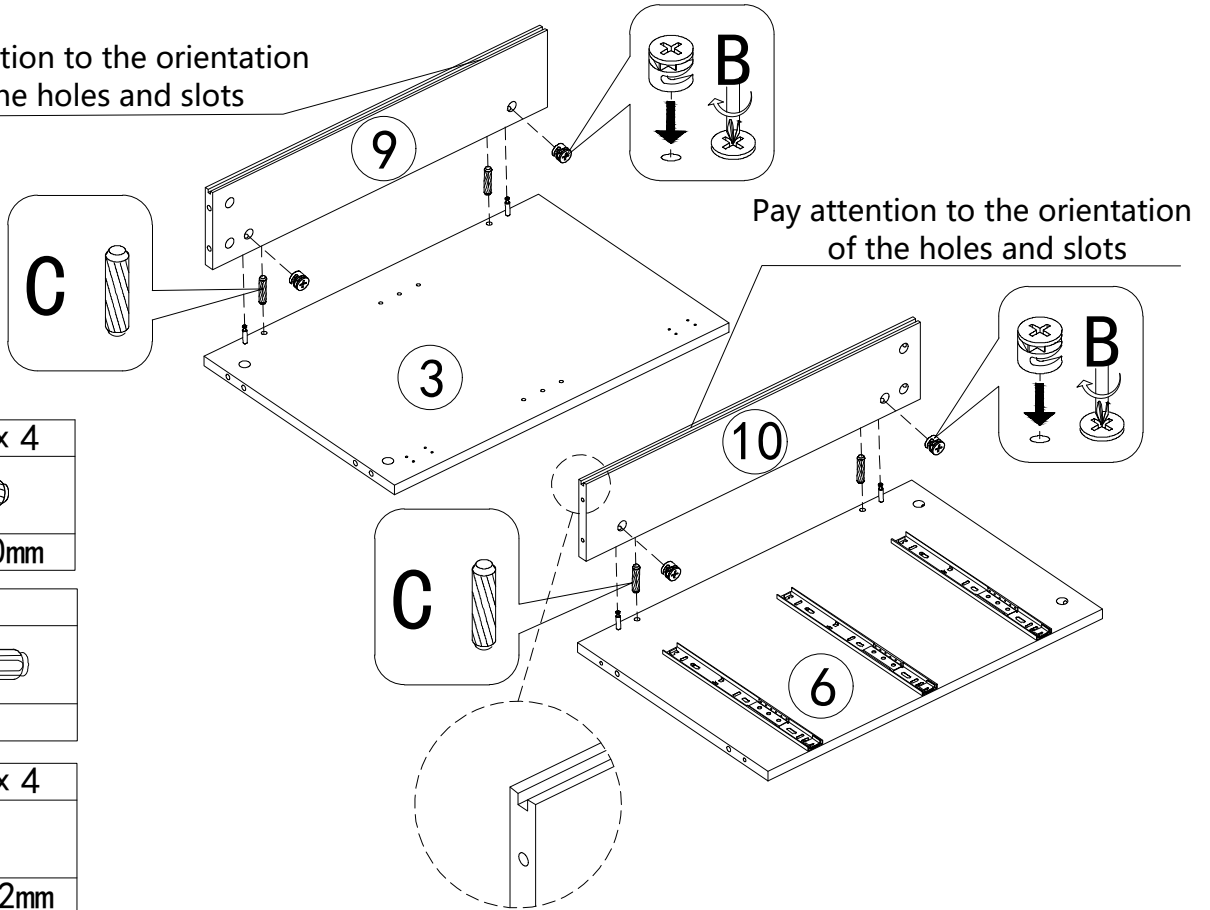
4



A	x 12	
		
$\phi 6 \times 35\text{mm}$		

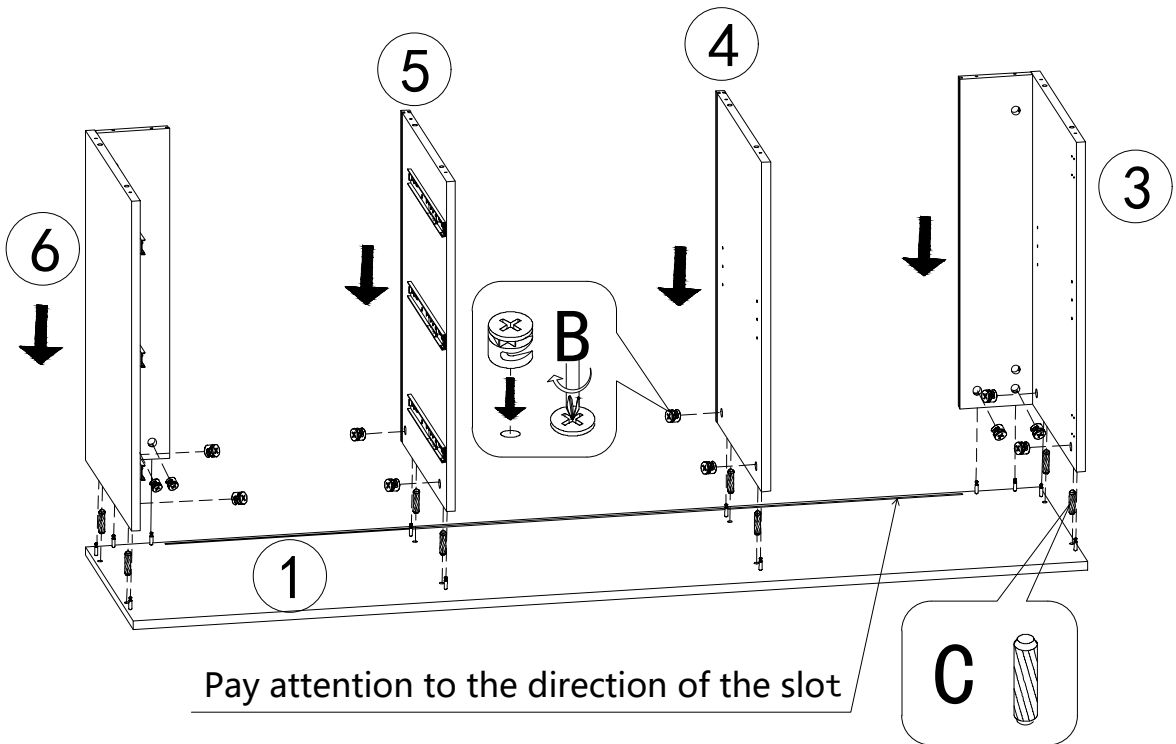
5

Pay attention to the orientation of the holes and slots



C	x 4
Ø8 x 30mm	
x 1	
B	x 4
Ø15 x 12mm	

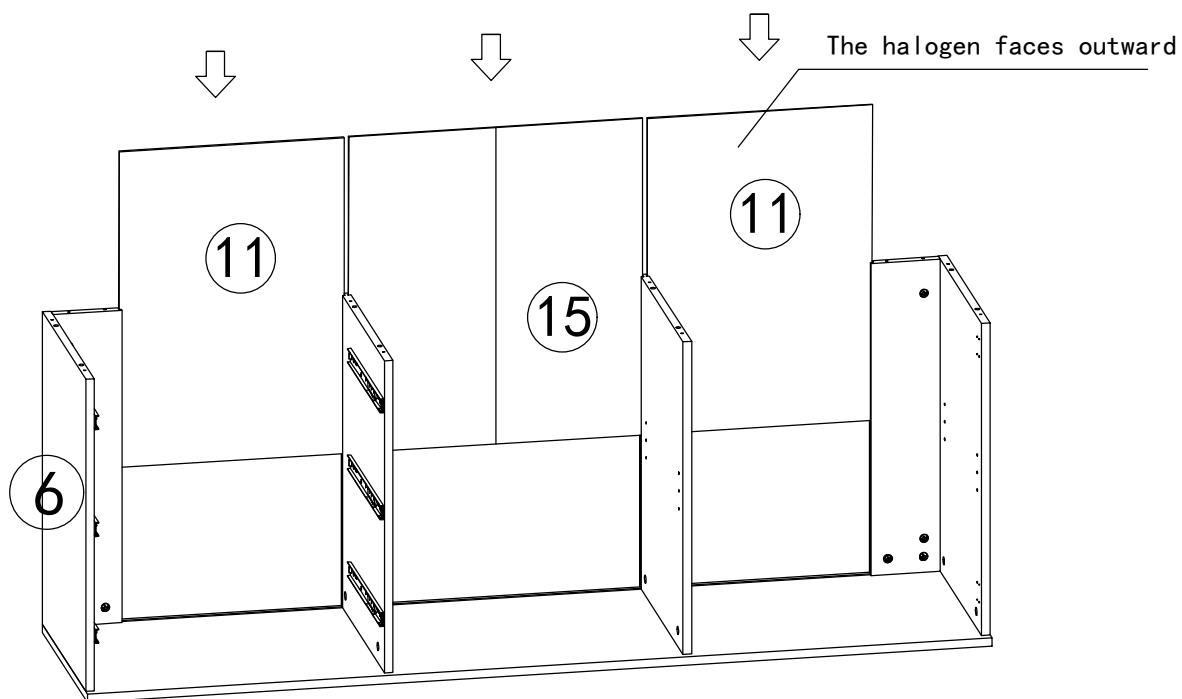
6



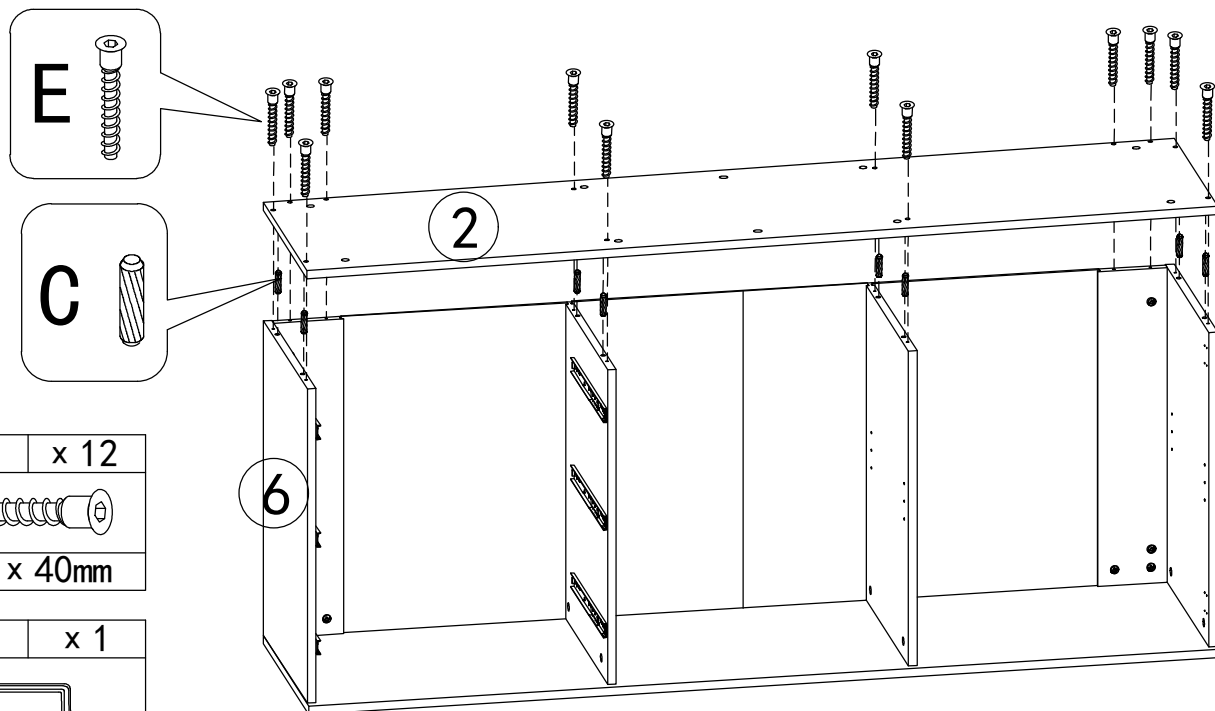
Pay attention to the direction of the slot


C	x 8	B	x 12	x 1
Ø8 x 30mm		Ø15 x 12mm		


7




8

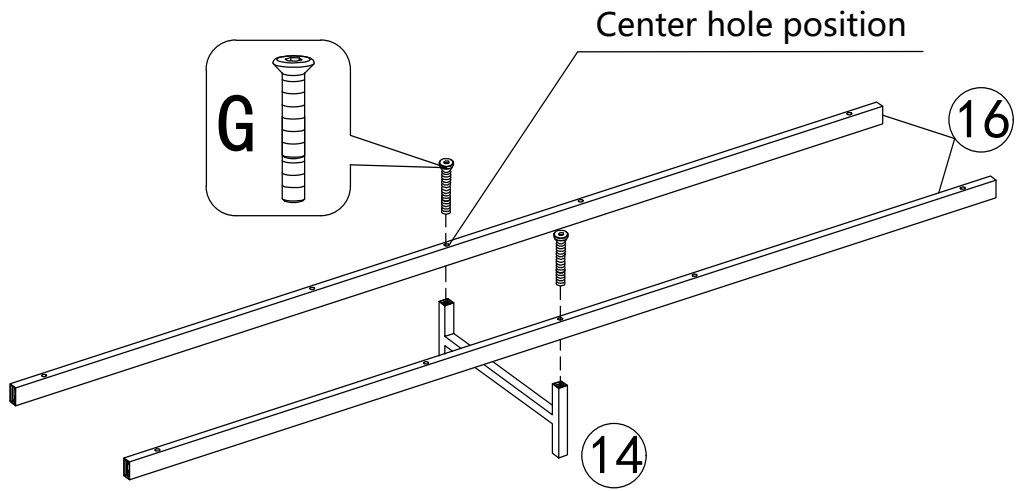



E	x 12
	
φ7 x 40mm	

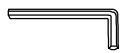
L	x 1
	
M4	

C	x 8
	
φ8 x 30mm	

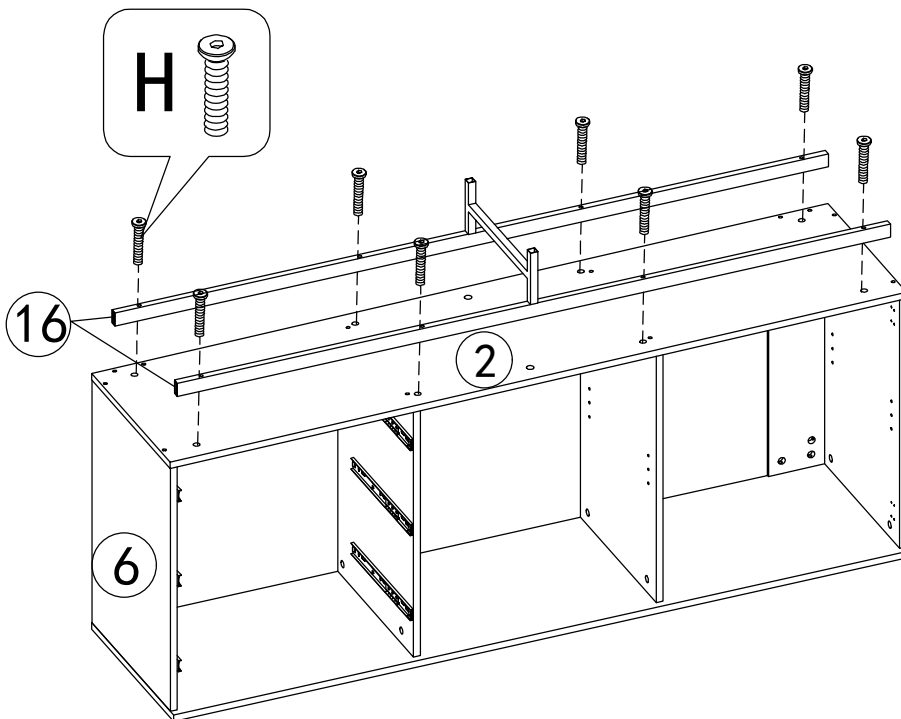
9

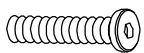



G	x 2
	
M6 x 50mm	

L	x 1
	
M4	

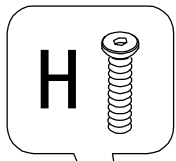
10



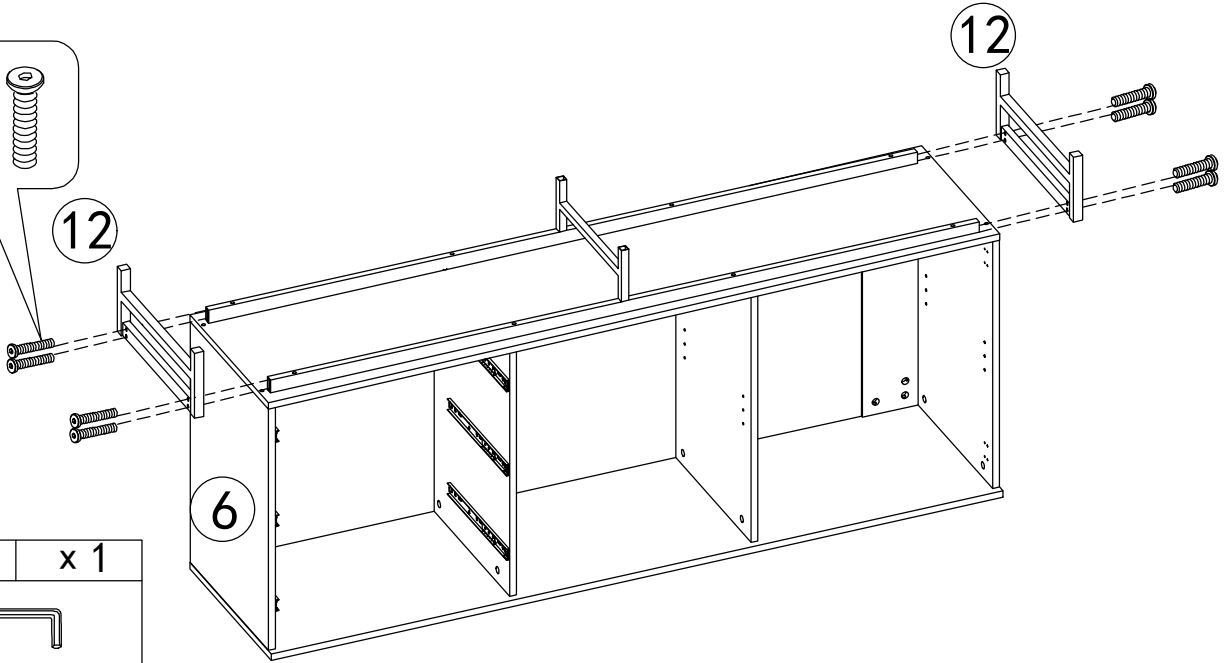
H	x 8
	
M6 x 40mm	

L	x 1
	
M4	

11

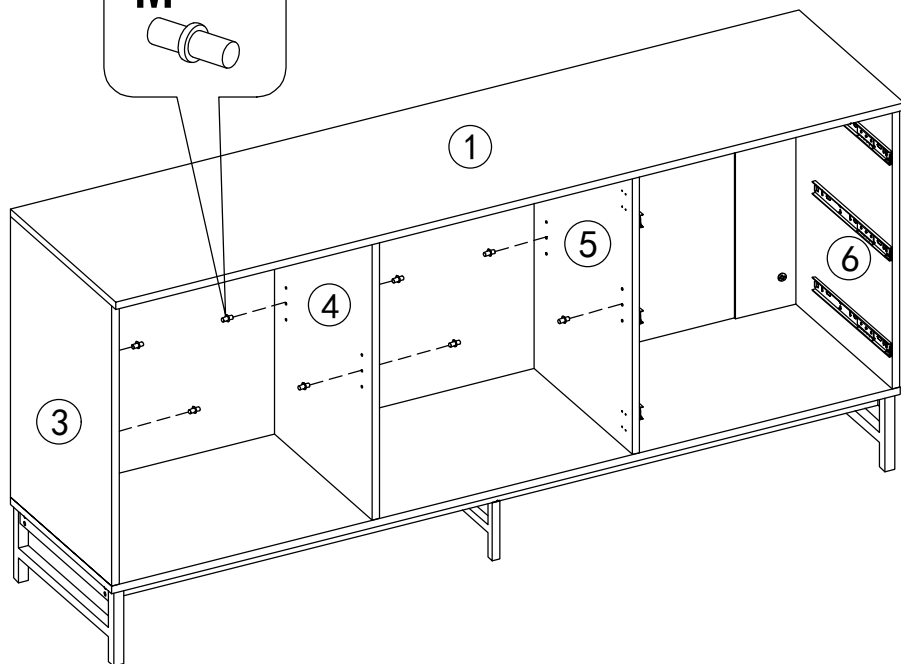
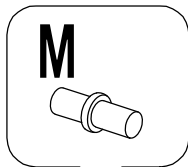


12



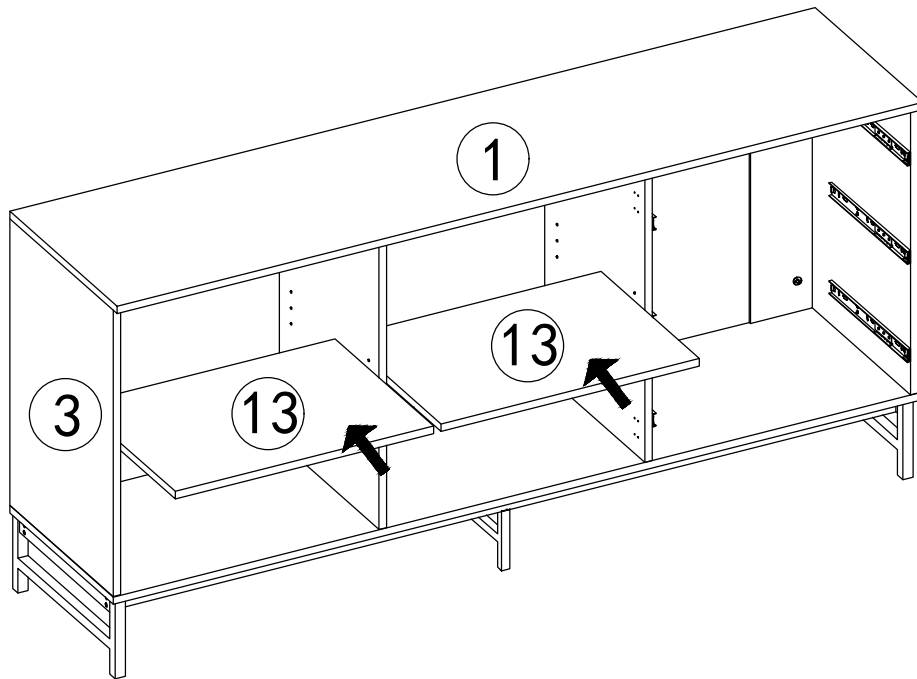
L	x 1
M4	
H	x 8
M6 x 40mm	

12

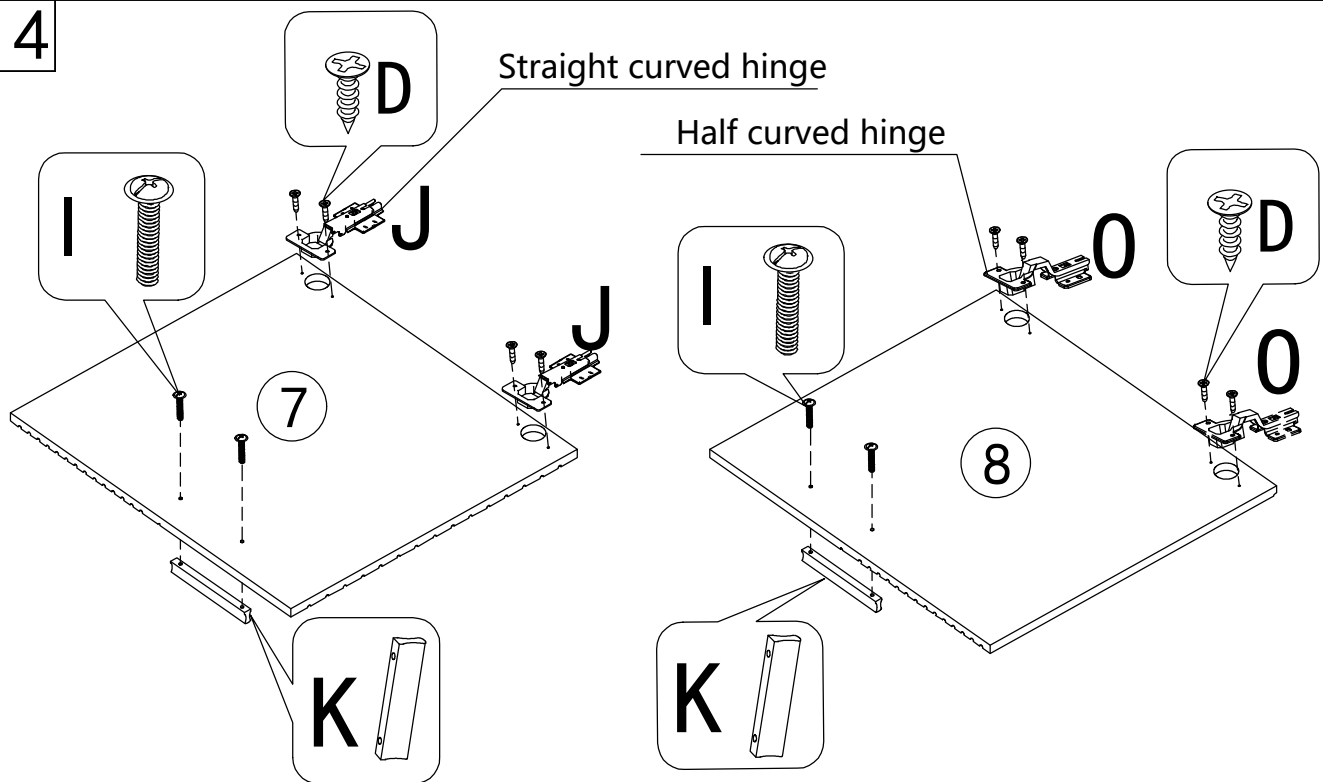


M	x 8

13

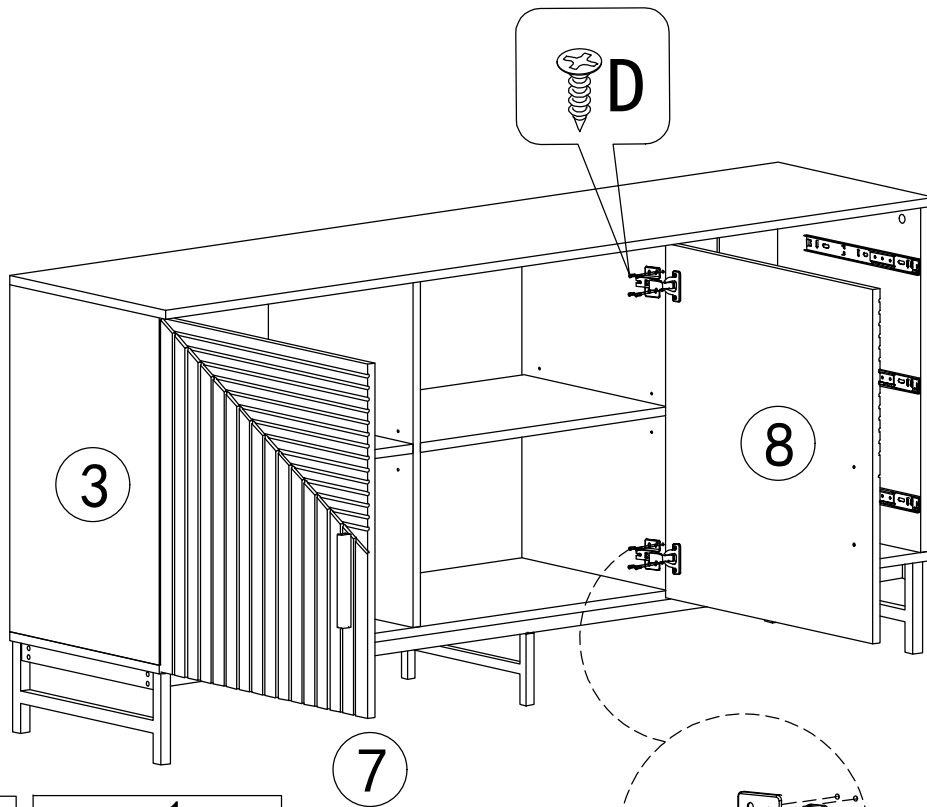



14




J	x 2	K	x 2	D	x 8	I	x 4	O	x 2	x 1
				M3.5 x 14mm		M4 x 18mm				

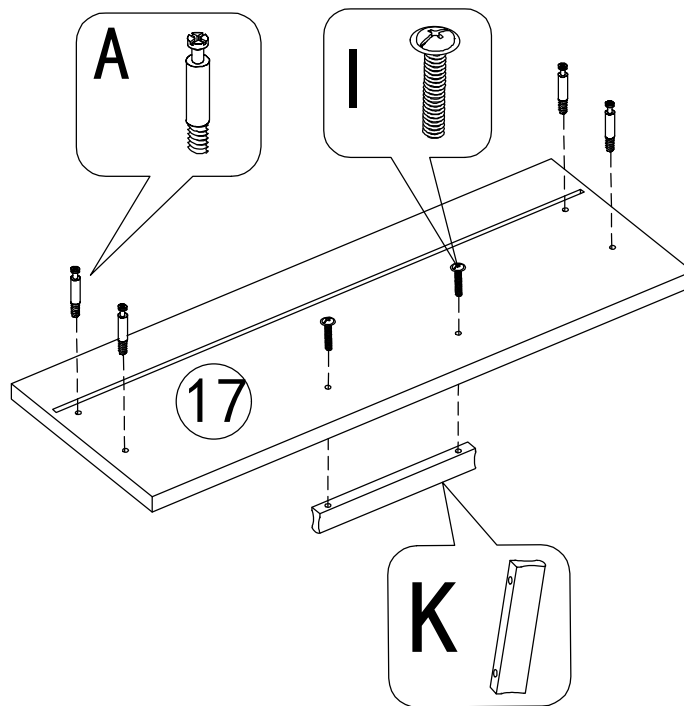
15





D	x 8
	
M3.5 x 14mm	


	x 1
	

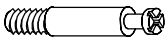
16



	x 1
	

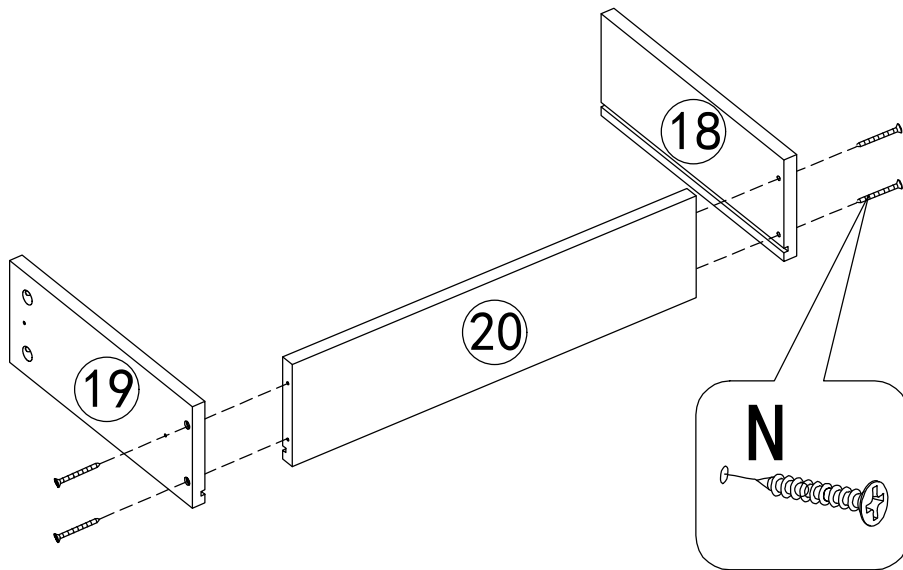
K	x 3
	


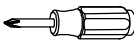
I	x 6
	
M4 x 18mm	

A	x 12
	
Ø 6 x 35mm	

x 3

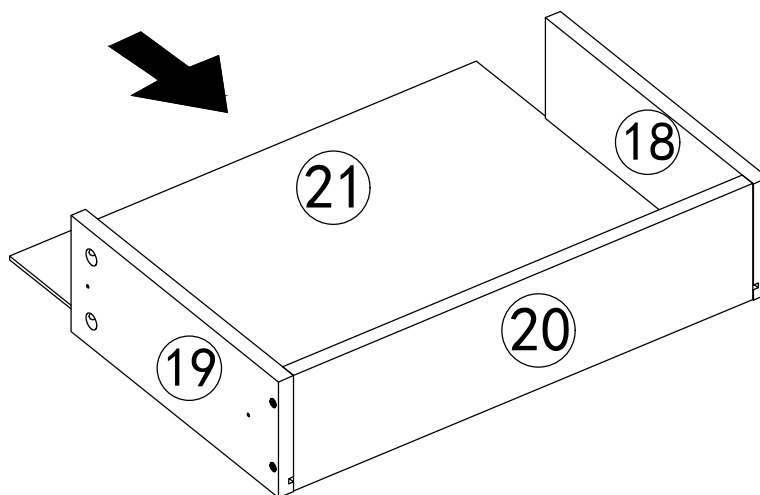
17



N	x 12	x 1
		
M4 x 35mm		

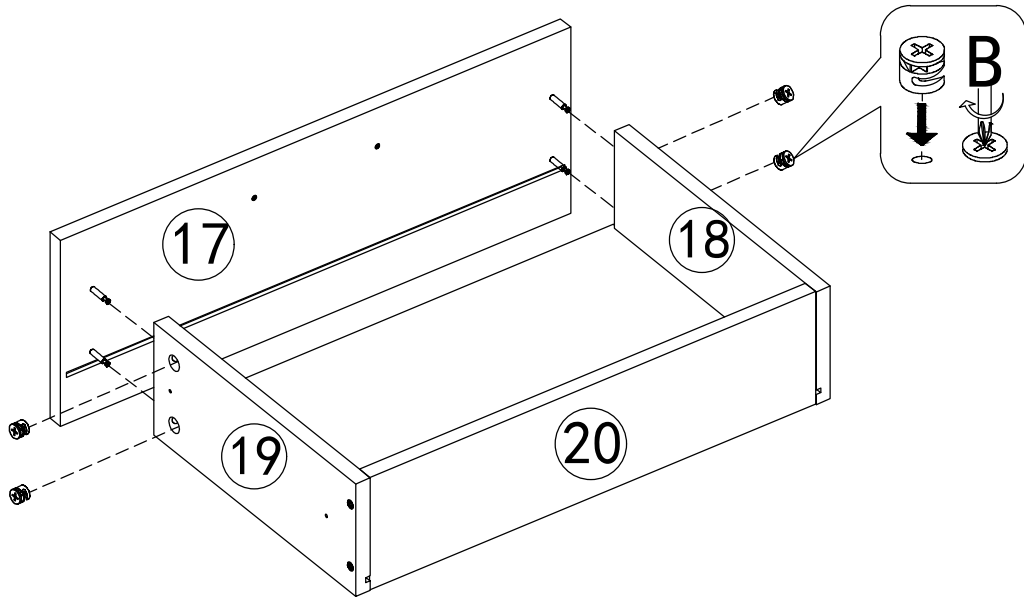
x 3


18



x 3

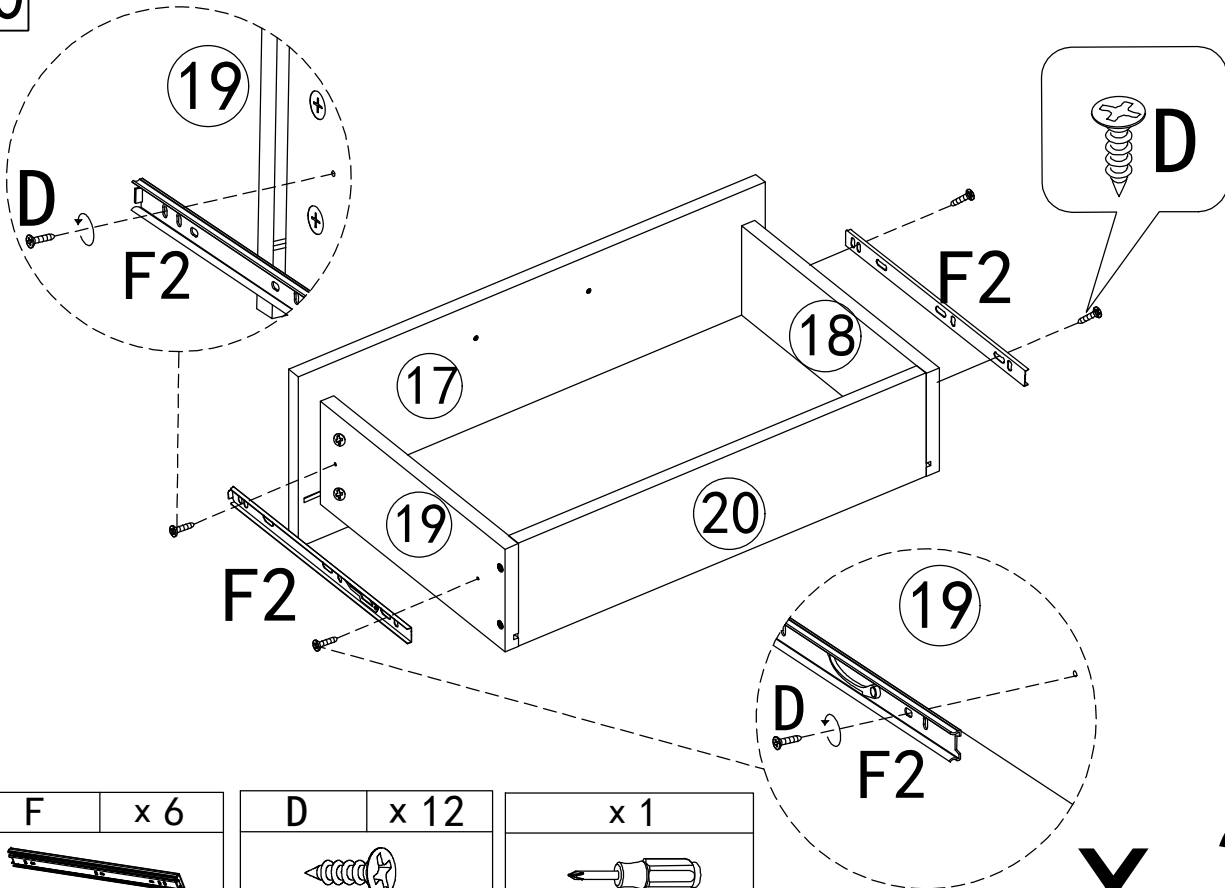
19



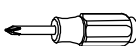


B	x 12
	
$\phi 15 \times 12\text{mm}$	

x 3

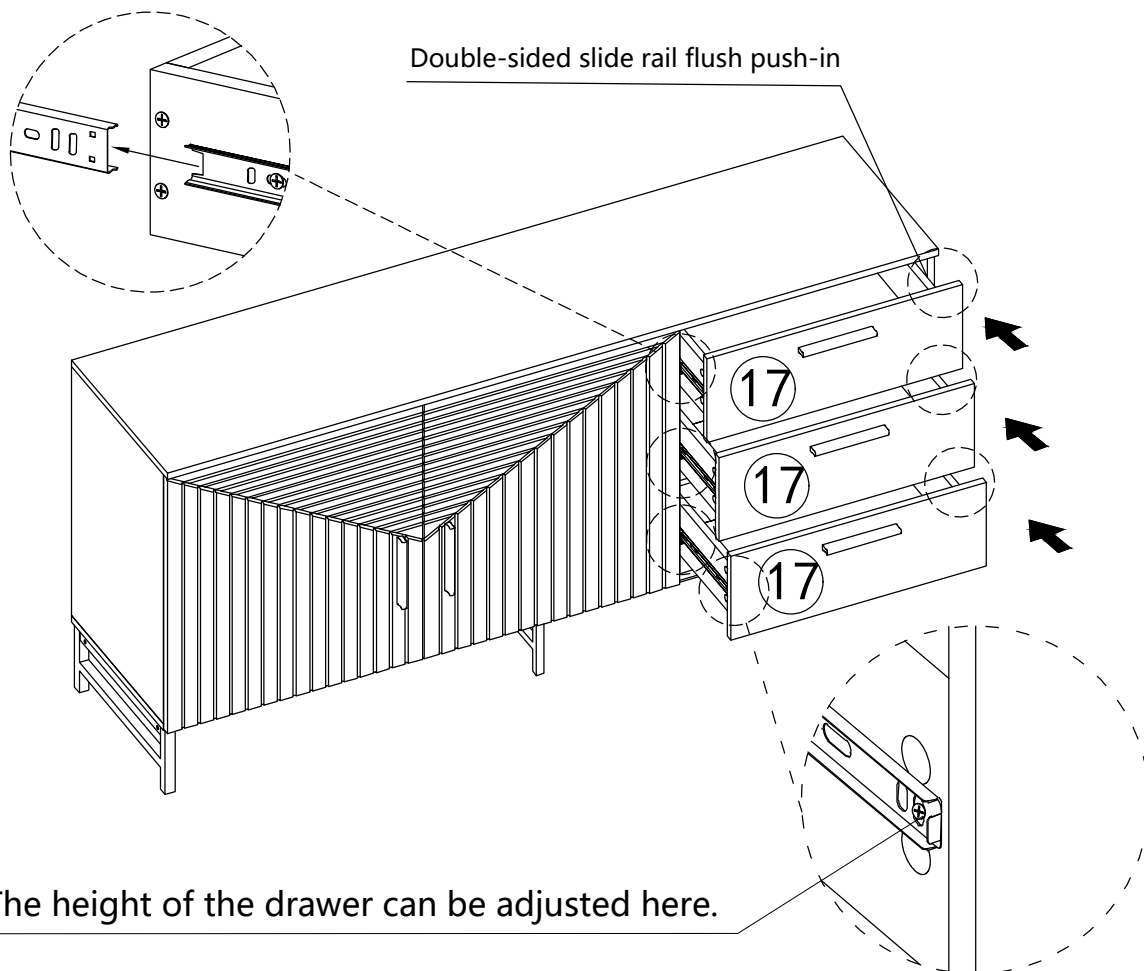
20



F	x 6	D	x 12	x 1
				
		$M3.5 \times 14\text{mm}$		

x 3

21



22

