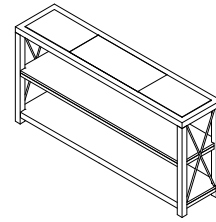


ASSEMBLY INSTRUCTIONS



042-925

TOOLS REQUIRED:

Allen Wrench (Provided, Part F)

BEFORE YOU START:

1. Check the parts against the parts list to make sure all items are present.
2. Assemble your furniture on a soft, flat surface to avoid scratching the finish.
3. **CAUTION:** Do not over tighten screws, nuts or bolts during assembly.
4. Your furniture may require occasional tightening.

INSTRUCTIONS:



Figure 1

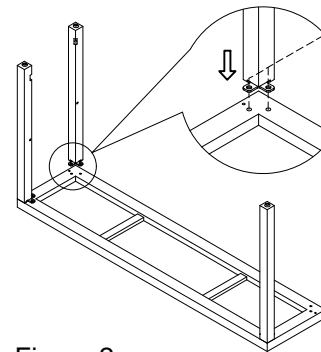


Figure 2

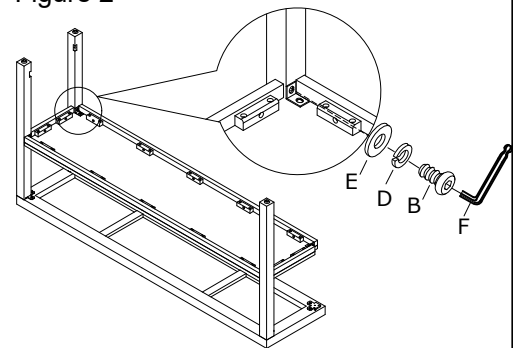


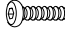



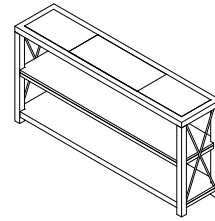


Figure 3

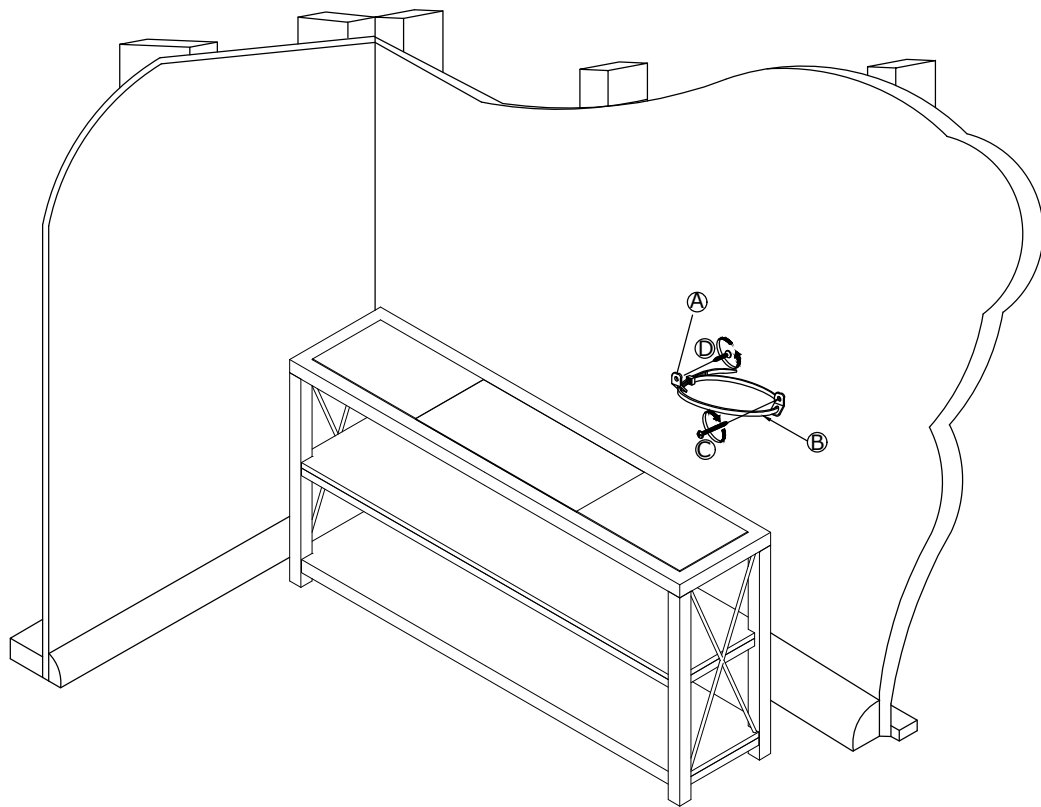
No.	Hardware List	Q'ty
A	 Bolt Ø1/4 "x3/4 "	8pcs
B	 Bolt Ø1/4"x 5/8 "	4pcs
C	 Bolt Ø1/4 "x1-3/4 "	4pcs
D	 Lock Washer Ø1/4"	8pcs
E	 Flat Washer Ø1/4"*16mm	8pcs
F	 Allen Wrench 4MM	1pc



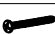
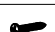
ASSEMBLY INSTRUCTIONS



042-925

NOTE: ANTI-TIPPING KIT INSTRUCTIONS:
REFER TO KIT'S BAG



No.		Hardware List	Q'ty
A		Mounting Bracket	2pcs
B		Nylon Restraint	1pc
C		Long screw	1pc
D		Short screw	1pc