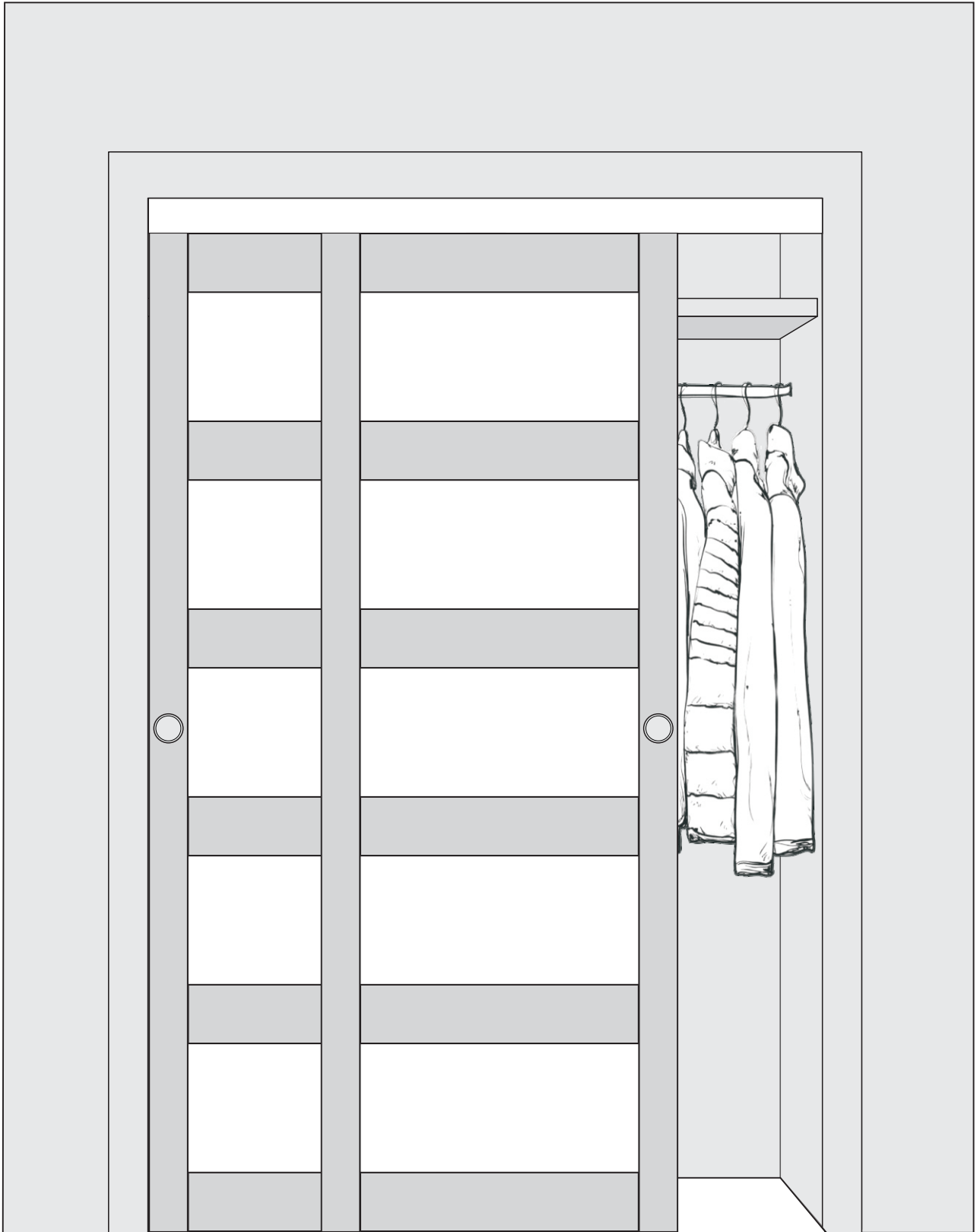


# Installation manual

5CD-W60+5CD-W60-HD



# INSTRUCTIONS

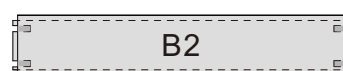
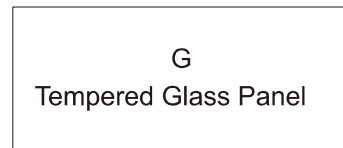
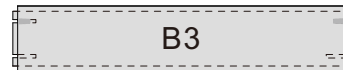
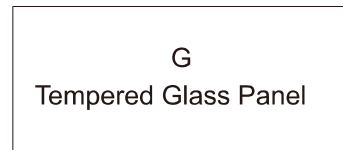
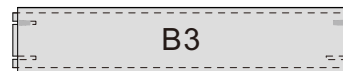
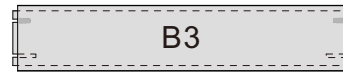
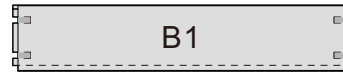
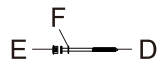
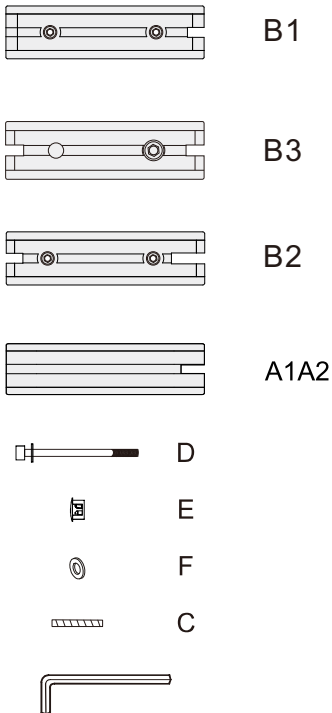
## GLASS BARN DOOR Installation Instruction

### Left

#### Package List

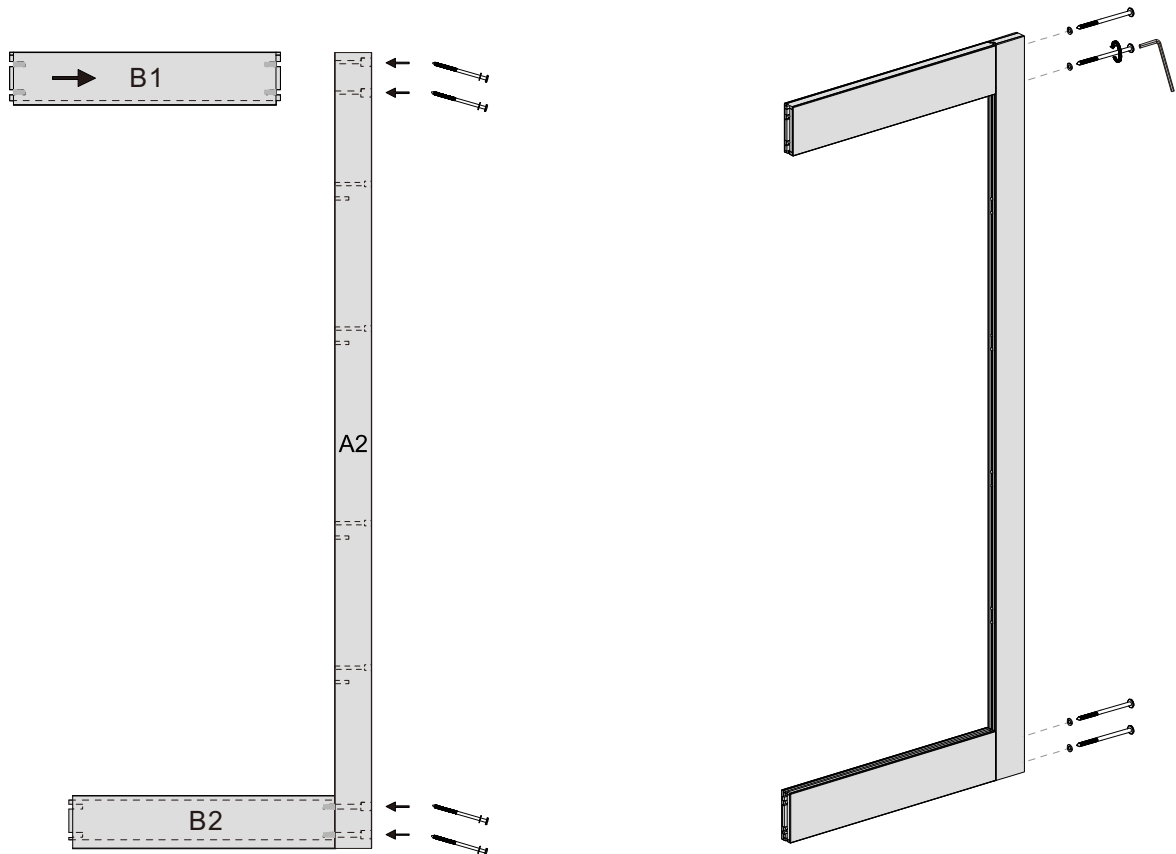
A1A2	Side Stile	*2
B1	Top Rail	*1
B2	Bottom Rail	*1
B3	Rail with 4 same holes	*4
C	Wood Plug	*8
D	Carriage Bolt	*16
E	Plastic Cap	*16
F	Washer	*16
G	Tempered Glass Panel	*5

#### Stile and Slat End Views



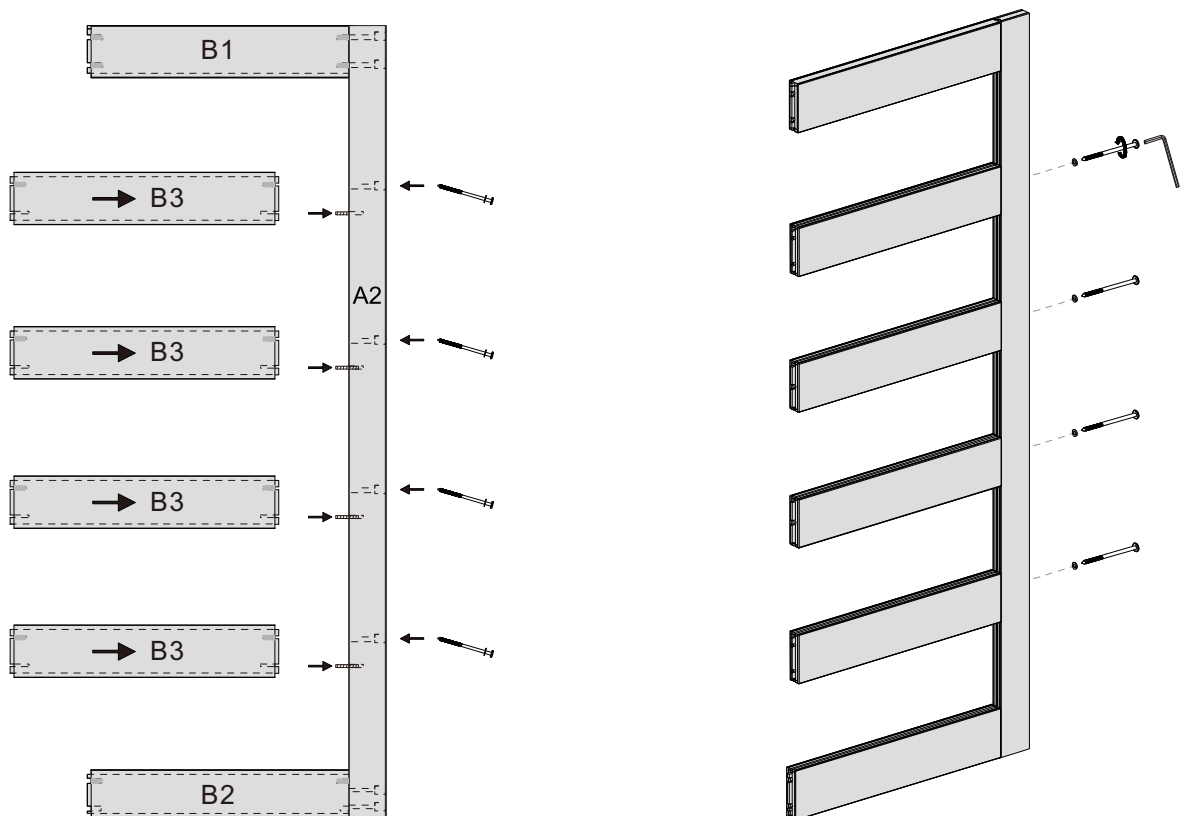
### Step1.

Attach B1 Top Rail to one Side Stile A2 using two carriage bolts and one wood plug.  
Then attach B2 Bottom Rail using two carriage bolts.



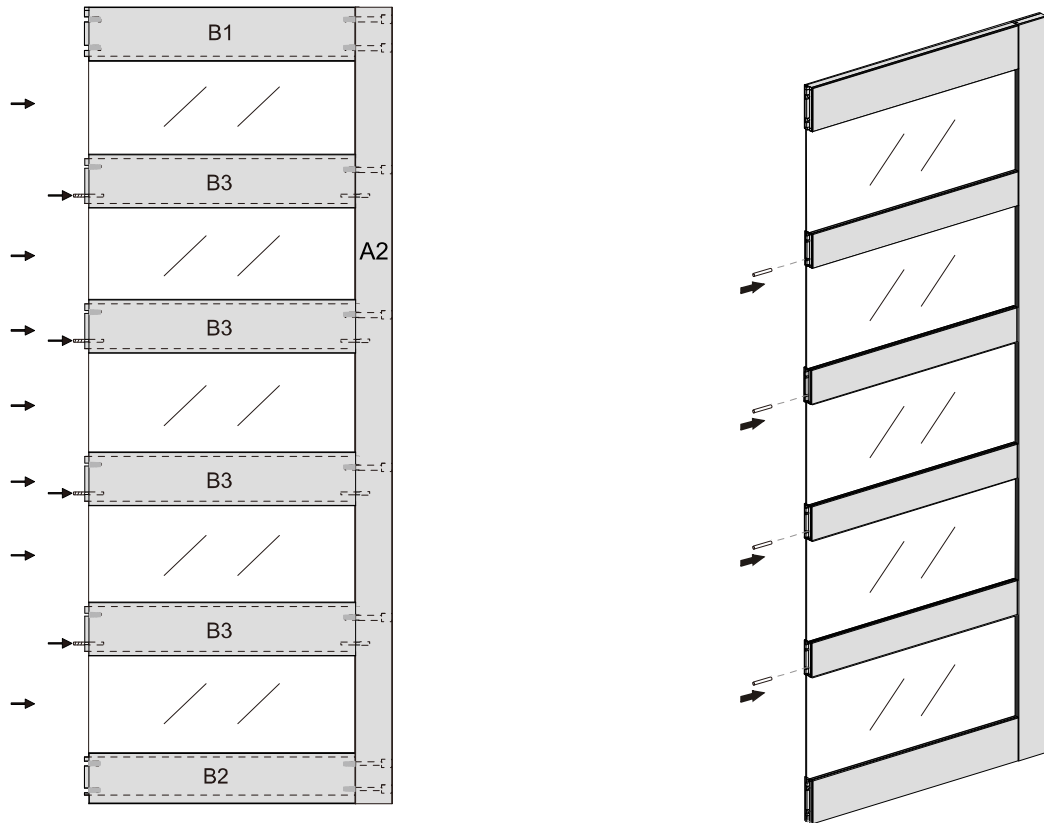
### Step2.

Connect each Rail B2 to Side Stile A2 using one wood plug and one carriage bolt.  
Connect each Rail B3 to Side Stile A2 using two wood plugs.  
Make sure each **Rail of B1, B2, and B3** tightly connected with A2.



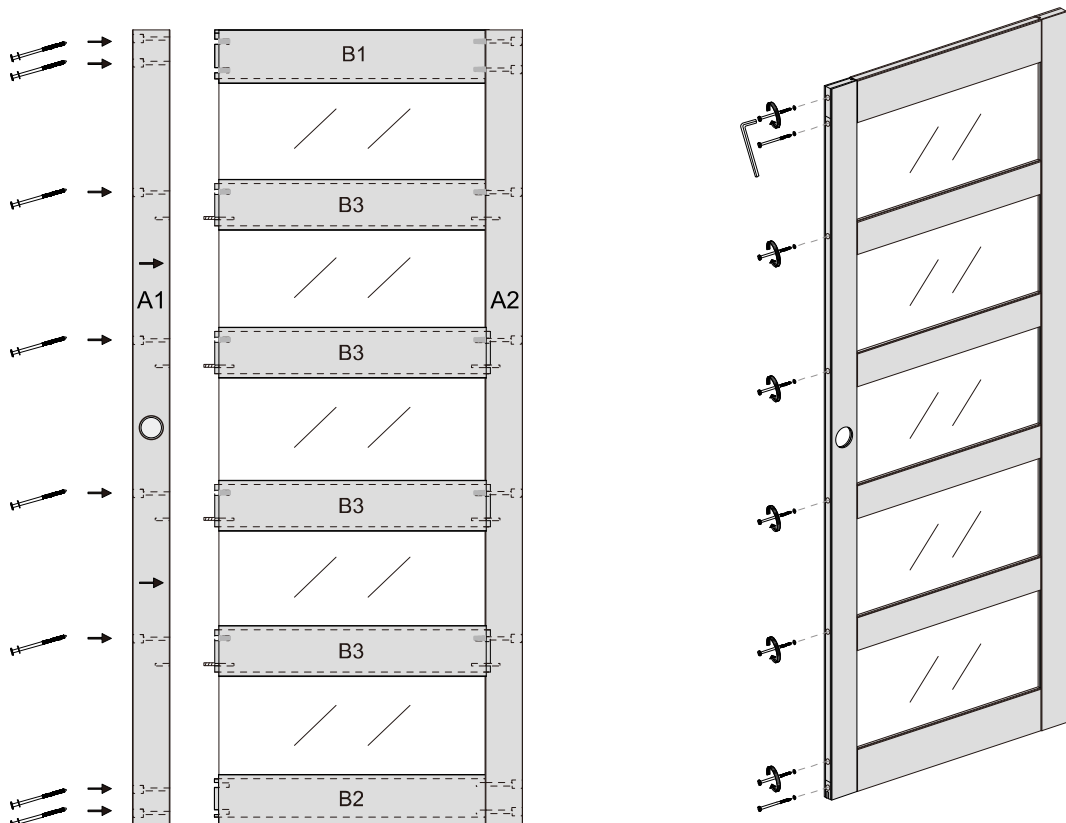
### Step3.

Gently slide five G tempered glass panels into Side Stile A2 groove. Then insert 2 wood plugs into each left side of Rail B3 and 1 woodplug into each left side of Rail B3.



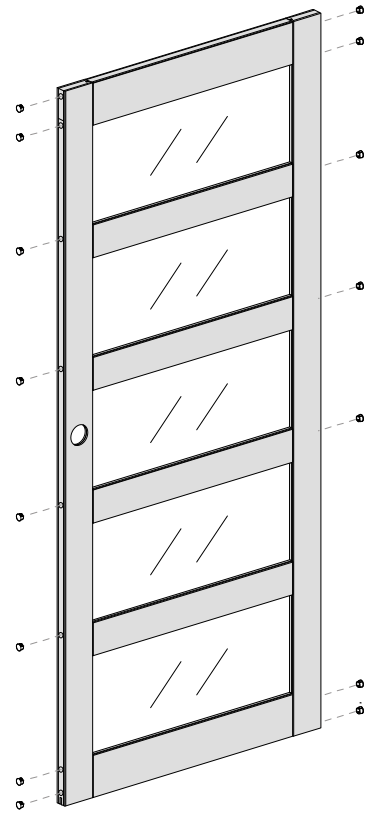
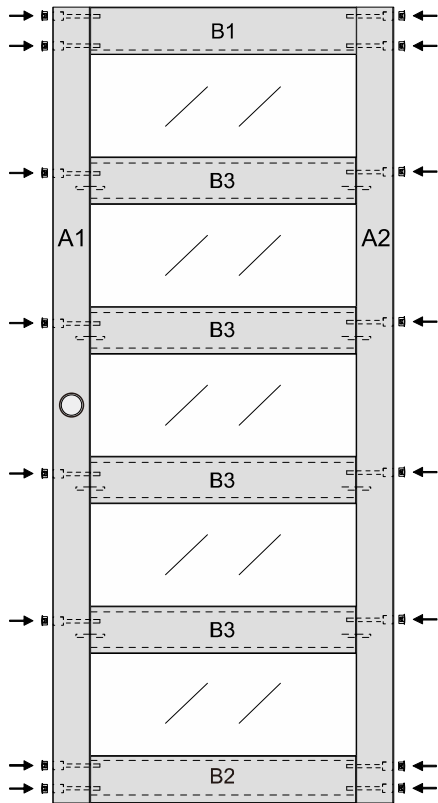
### Step4.

Align **Side Stile A1** holes with wood plugs and make sure all the tempered glass align with stile's groove. Fasten Side Stile A1 with Rail B1, B3 and B4 using carriage bolts.



## Step5.

Make sure all bolts are tightened, place **E Plastic Caps** on top of the bolts and flush with Side Stile surface.

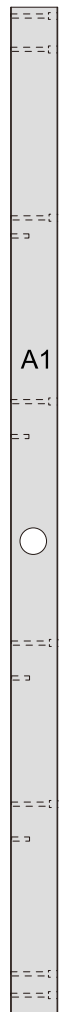
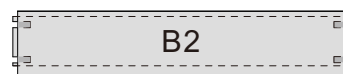
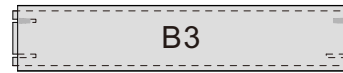
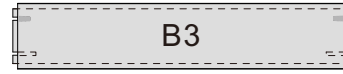
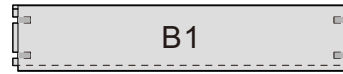
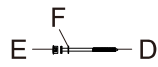
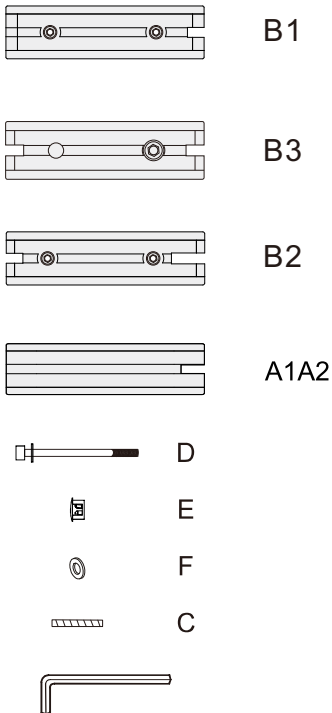


# Right

## Package List

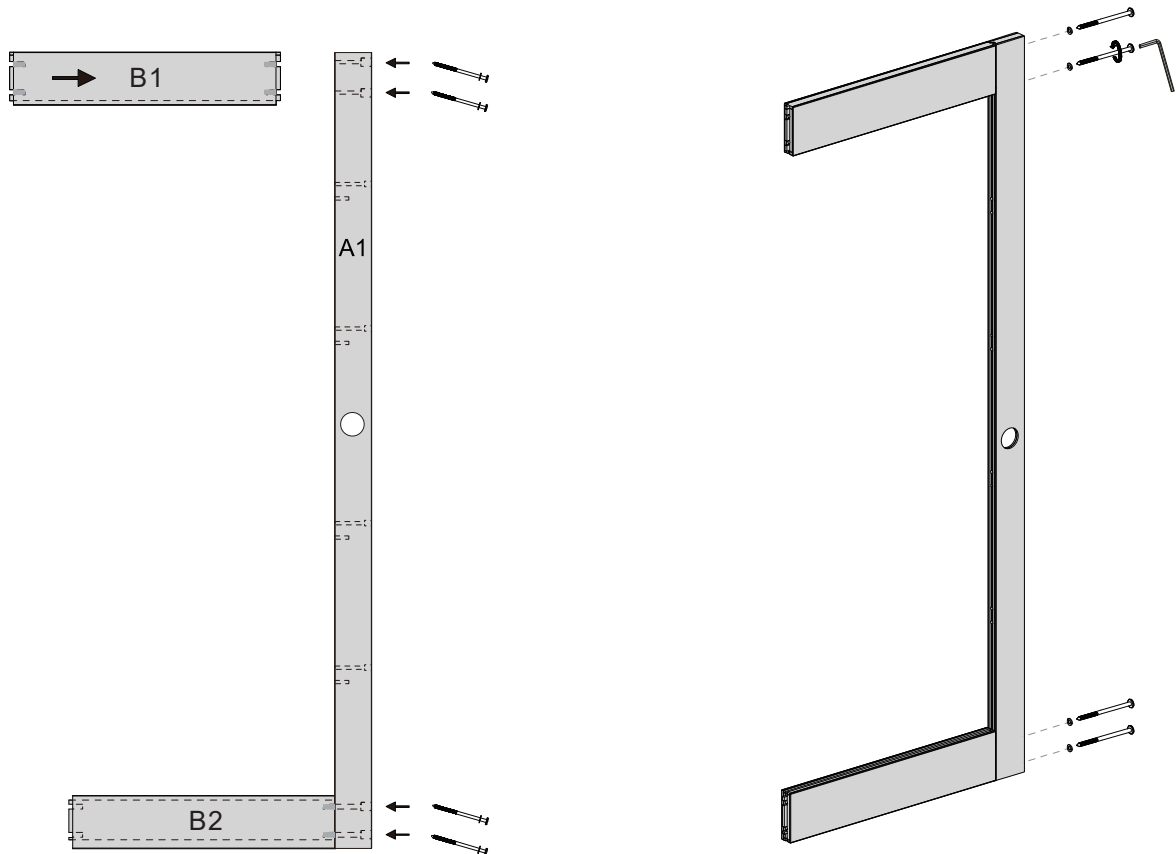
A1A2	Side Stile	*2
B1	Top Rail	*1
B2	Bottom Rail	*1
B3	Rail with 4 same holes	*4
C	Wood Plug	*8
D	Carriage Bolt	*16
E	Plastic Cap	*16
F	Washer	*16
G	Tempered Glass Panel	*5

## Stile and Slat End Views



### Step1.

Attach B1 Top Rail to one Side Stile A1 using two carriage bolts and one wood plug.  
Then attach B2 Bottom Rail using two carriage bolts.

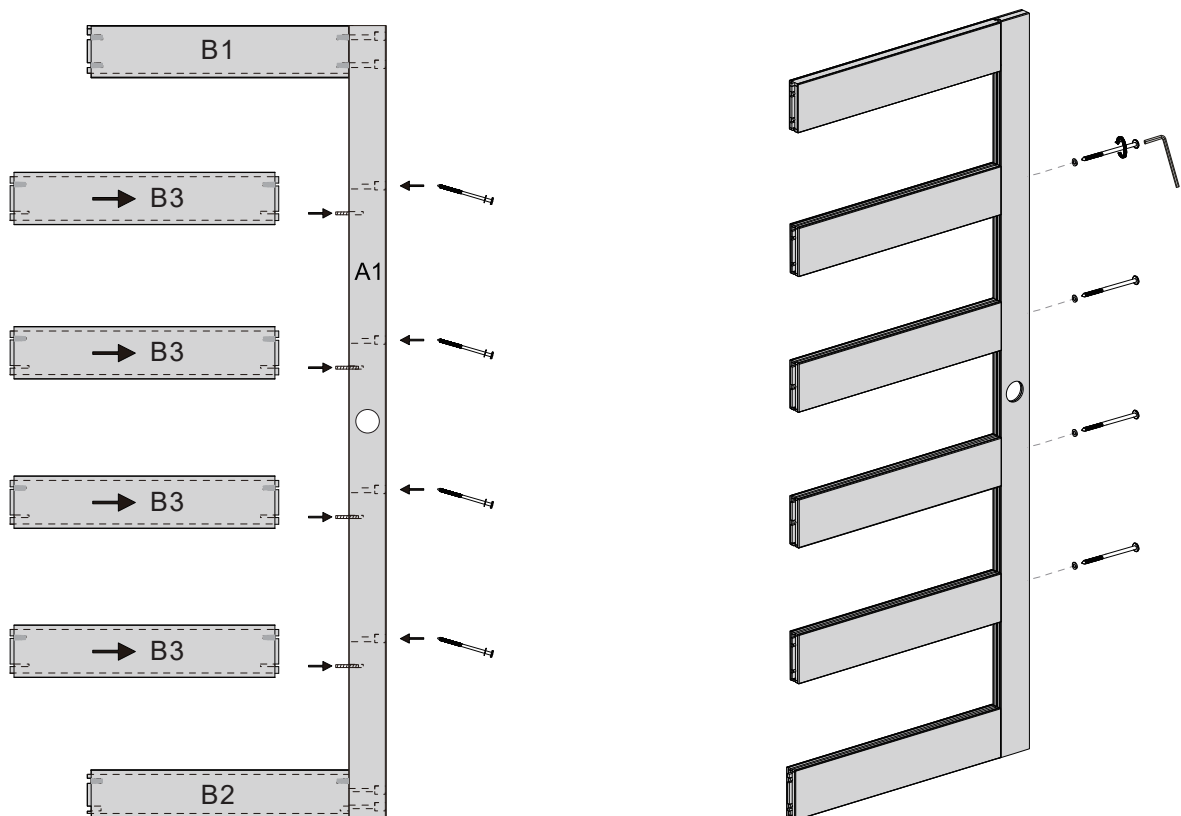


### Step2.

Connect each Rail B2 to Side Stile A1 using one wood plug and one carriage bolt.

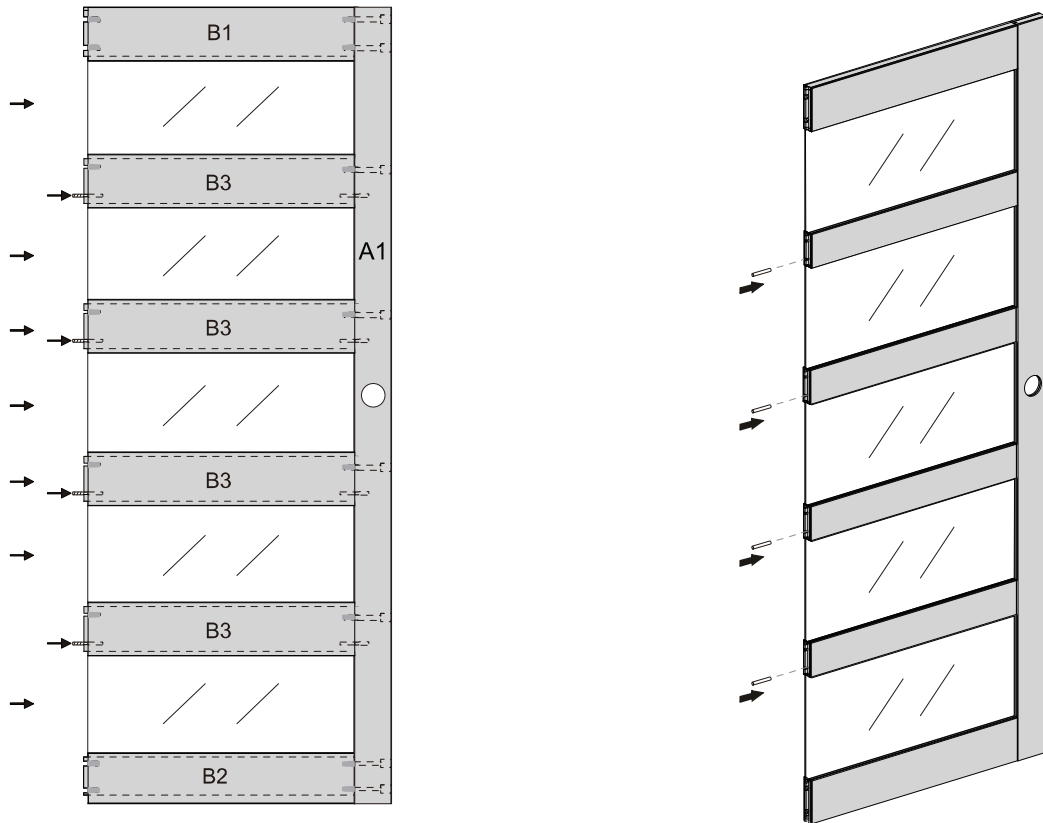
Connect each Rail B3 to Side Stile A1 using two wood plugs.

Make sure each **Rail of B1, B2, and B3** tightly connected with A1.



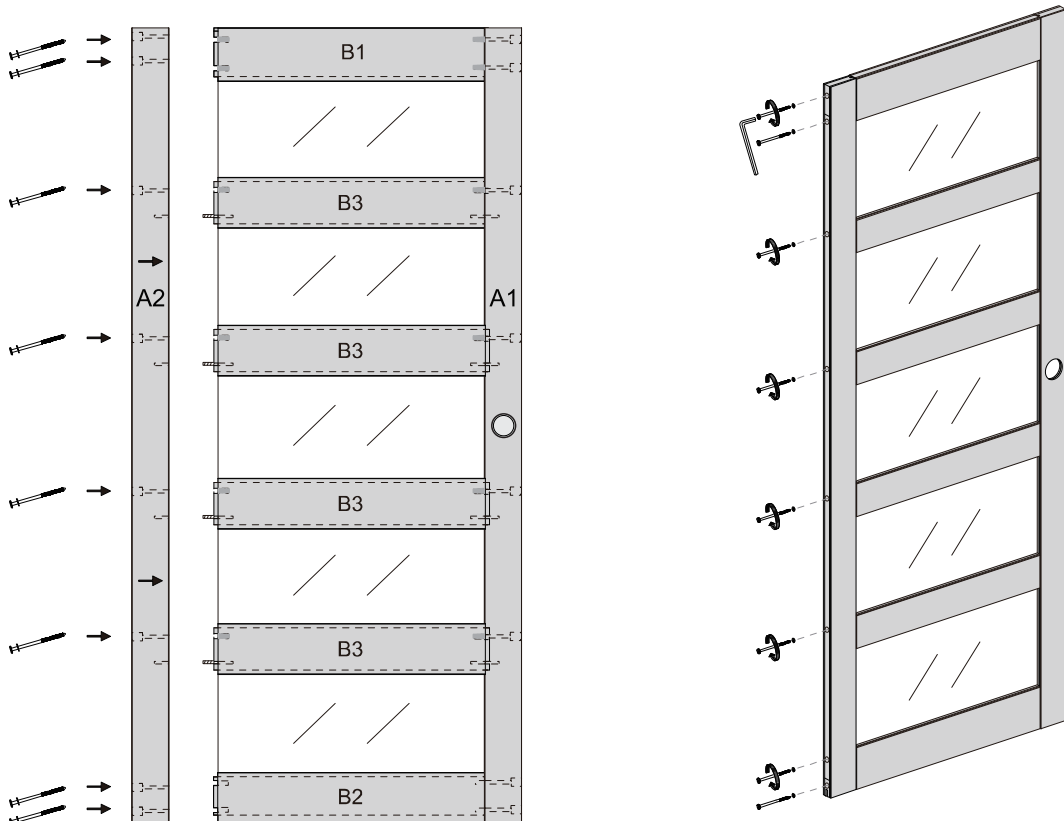
### Step3.

Gently slide five G tempered glass panels into Side Stile A1 groove. Then insert 2 wood plugs into each left side of Rail B3 and 1 woodplug into each left side of Rail B3.



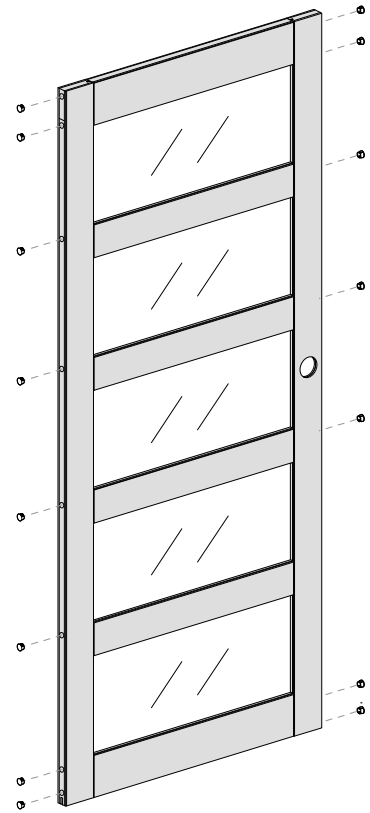
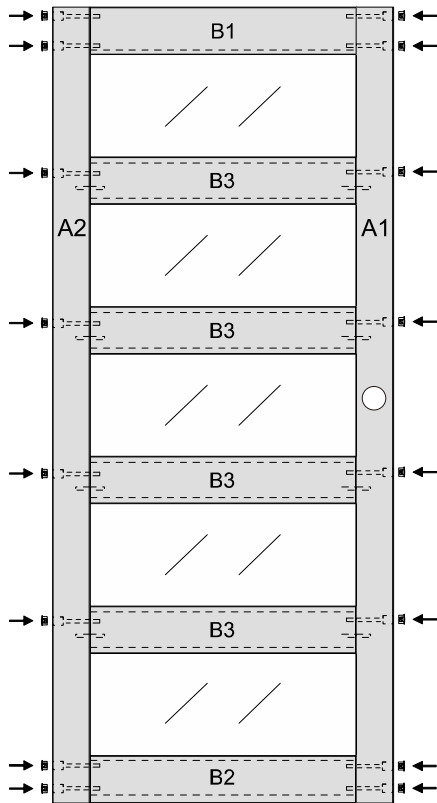
### Step4.

Align **Side Stile A2** holes with wood plugs and make sure all the tempered glass align with stile's groove. Fasten Side Stile A2 with Rail B1, B3 and B2 using carriage bolts.

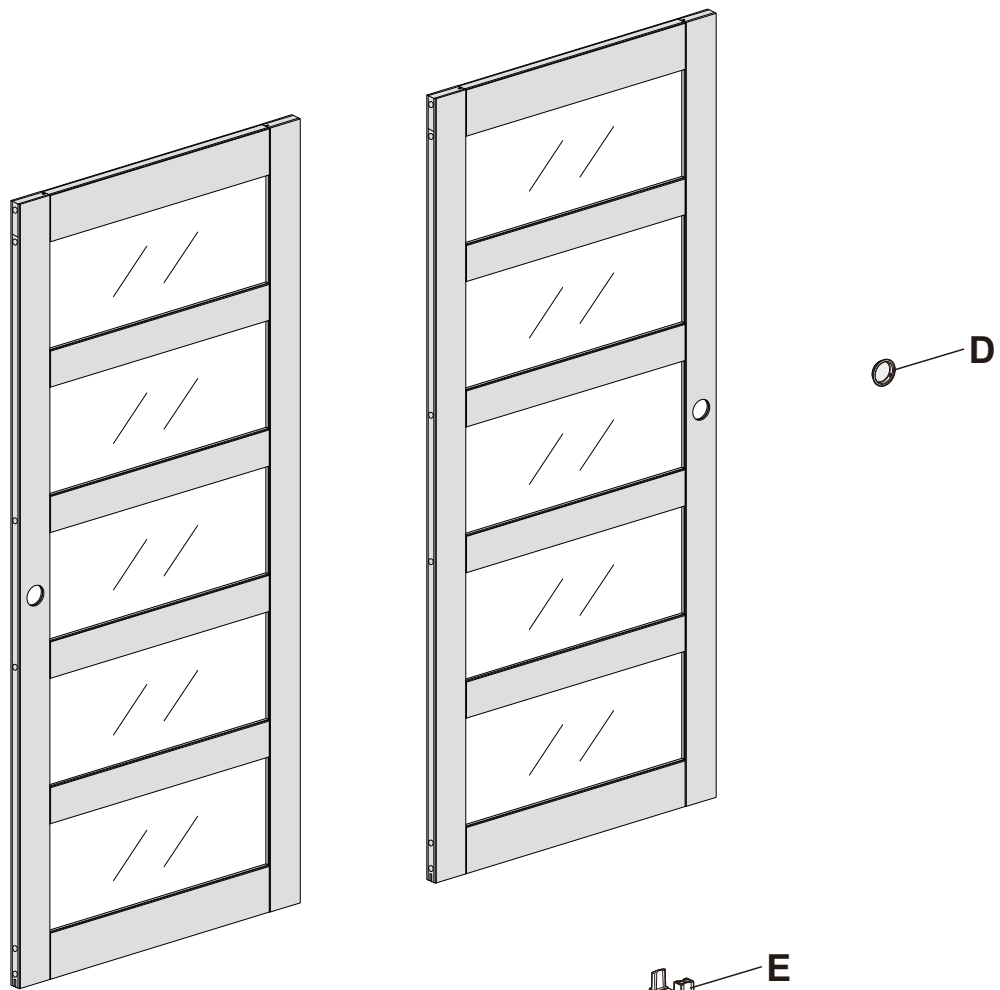
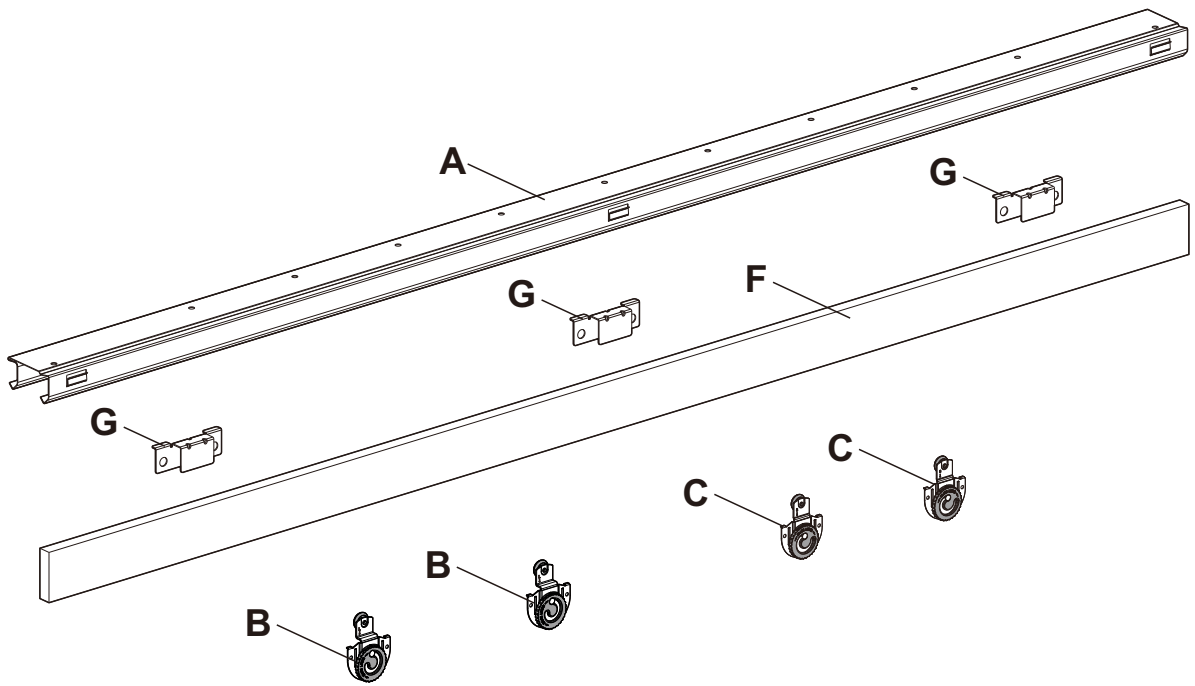


## Step5.

Make sure all bolts are tightened, place **E Plastic Caps** on top of the bolts and flush with Side Stile surface.

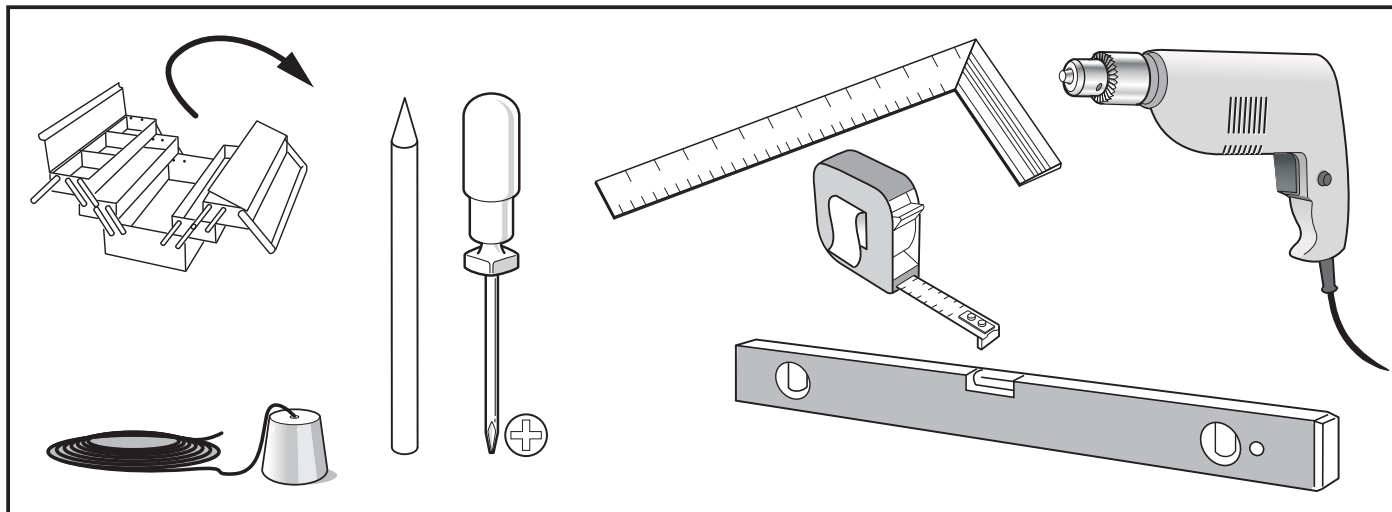


# Components list

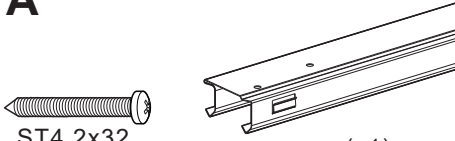
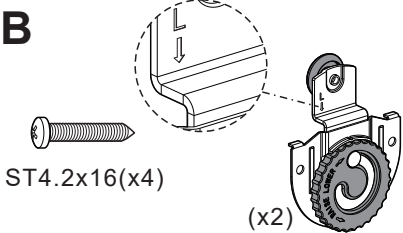
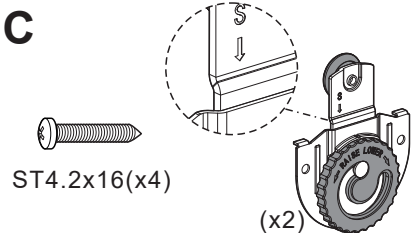
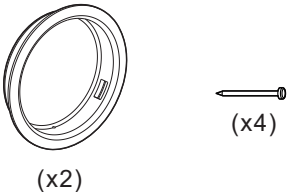
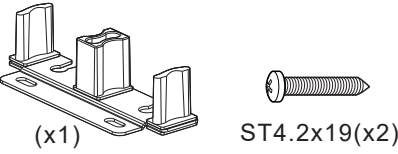
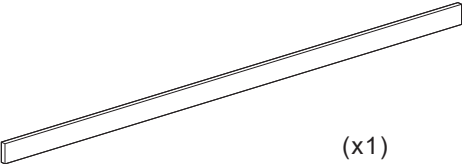
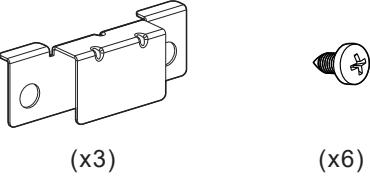
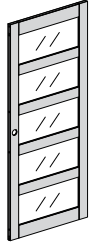


# PRE-INSTALLATION

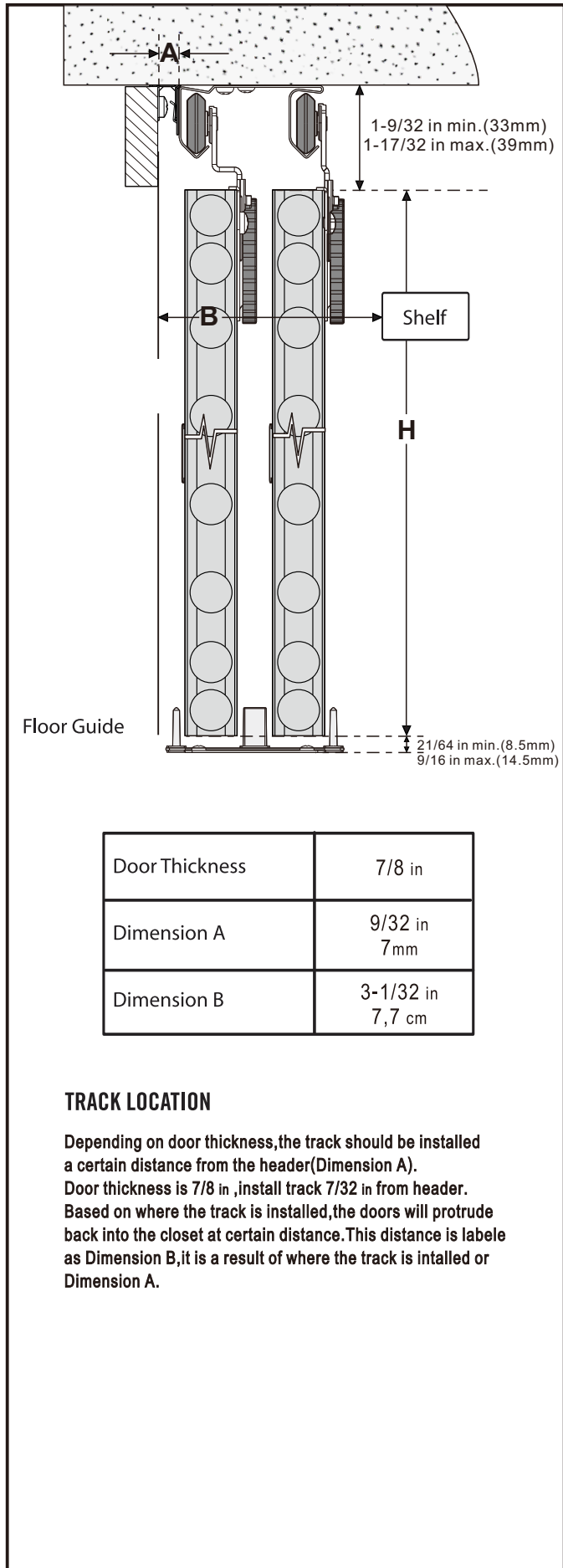
## TOOLS REQUIRED



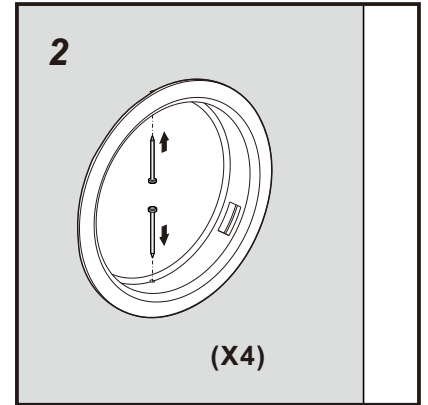
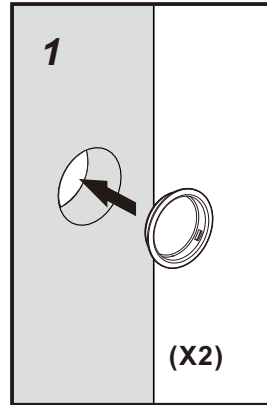
## HARDWARE INCLUDED

<p><b>A</b></p>  <p>ST4.2x32 (x1)</p> <table border="1" data-bbox="150 1402 493 1626"> <thead> <tr> <th>Track Length</th> <th>Screw Quantity</th> </tr> </thead> <tbody> <tr> <td>48"</td> <td>(x9)</td> </tr> <tr> <td>60"</td> <td>(x11)</td> </tr> <tr> <td>72"</td> <td>(x13)</td> </tr> <tr> <td>96"</td> <td>(x16)</td> </tr> </tbody> </table>	Track Length	Screw Quantity	48"	(x9)	60"	(x11)	72"	(x13)	96"	(x16)	<p><b>B</b></p>  <p>ST4.2x16(x4) (x2)</p>	<p><b>C</b></p>  <p>ST4.2x16(x4) (x2)</p>
Track Length	Screw Quantity											
48"	(x9)											
60"	(x11)											
72"	(x13)											
96"	(x16)											
	<p><b>D</b></p>  <p>(x2) (x4)</p>	<p><b>E</b></p>  <p>(x1) ST4.2x19(x2)</p>										
<p><b>F</b></p>  <p>(x1)</p>	<p><b>G</b></p>  <p>(x3) (x6)</p>	 <p>(x2)</p>										

To provide feedback on a particular part, please mark it by circling in the instruction manual and kindly send us a photo.

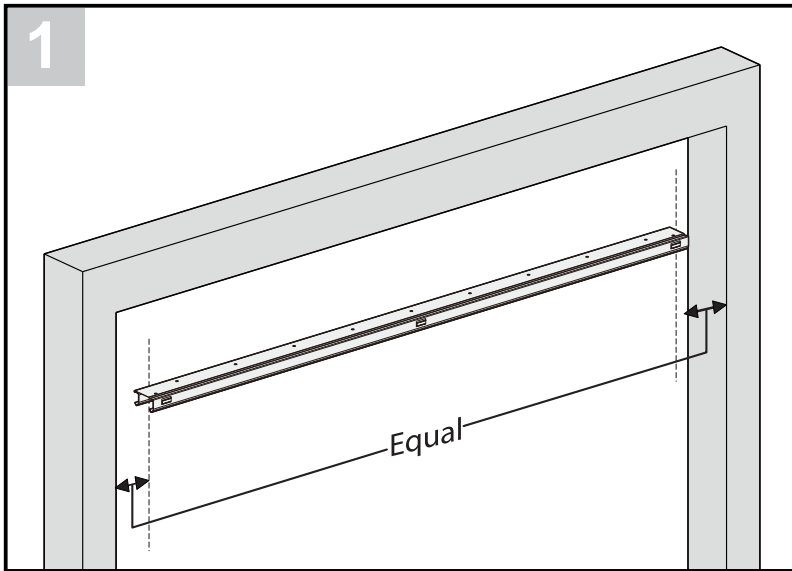


## INSTALLATION OF DOOR PULLS



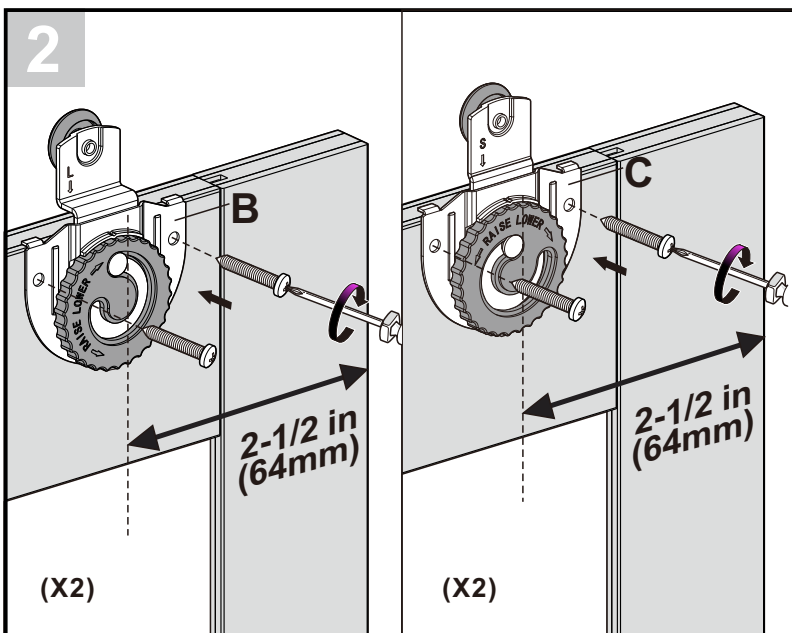
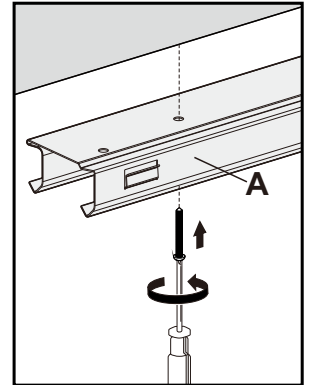
### TRACK LOCATION

Depending on door thickness, the track should be installed a certain distance from the header (Dimension A). Door thickness is 7/8 in, install track 7/32 in from header. Based on where the track is installed, the doors will protrude back into the closet at certain distance. This distance is labeled as Dimension B, it is a result of where the track is installed or Dimension A.



### INSTALL TRACK

Place track on door header, centered between both door jambs. Make sure track openings are facing inside of closet. With track as template, mark location of screw holes. Drill  $3/32$  in pilot holes to approximate screw length. Using supplied #8 x  $1-1/4$  in screws, securely attach track to header.

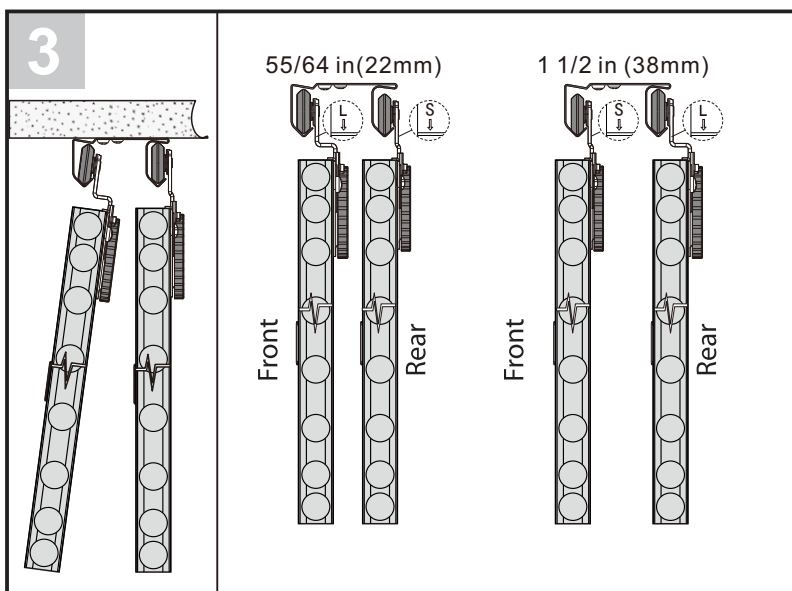


### ATTACH DOOR HANGERS

Fasten hangers to top/back of door panel, using supplied #8 x  $5/8$  in screws. Dial Adjust Hangers must be  $2-1/2$  in from edge of door. Using hanger as template, mark screw hole locations. Drill a  $3/32$  in pilot hole to approximate screw length. Securely attach hangers with supplied screws.

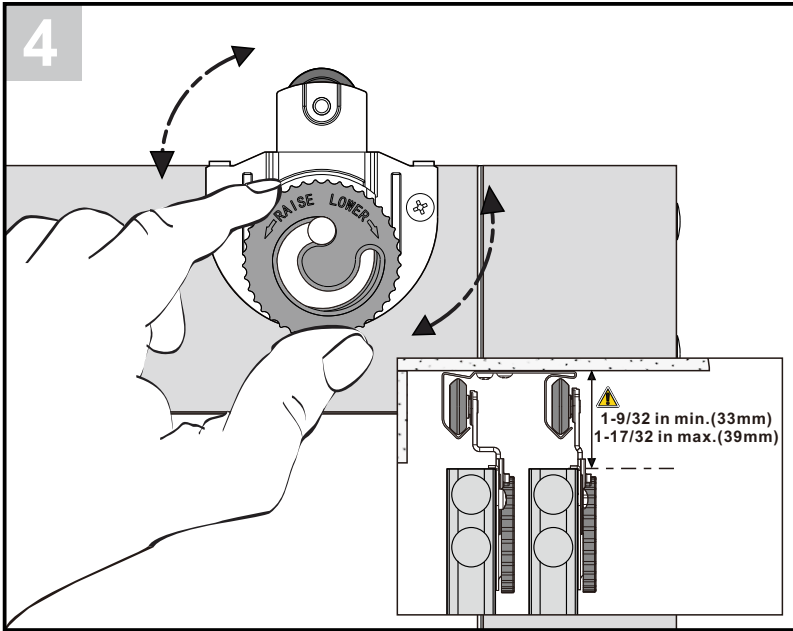


Install the hanger on the side of the door without finger pull holes



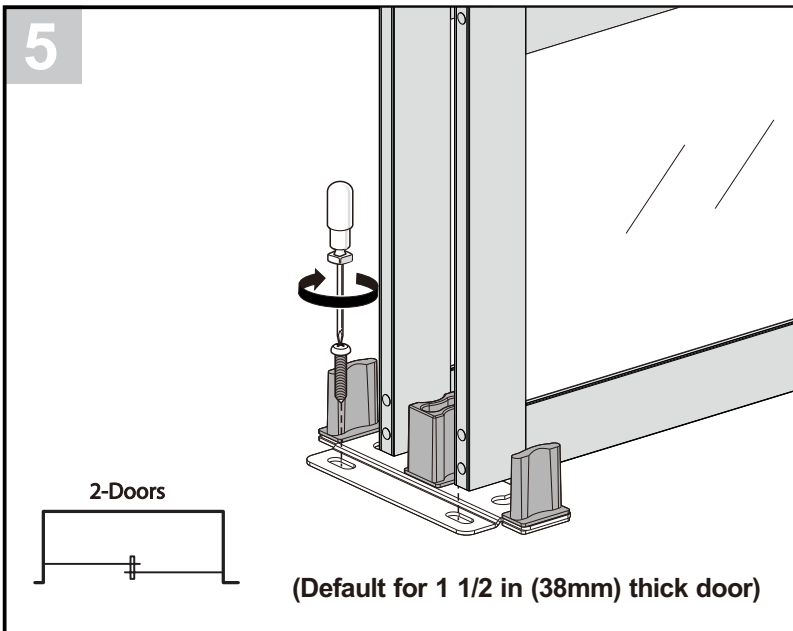
### INSTALL DOORS

Hang doors on track. Start with inside (or rear) door first. Door must be positioned at an angle of approximately 15 degrees to engage track. Doors with a width of  $55/64$  in require the installation of panel with L hanger first. Doors with a width of  $1\ 1/2$  in require the installation of panel with the S hanger first.



### DOOR ADJUSTMENT/DIAL ADJUST

Align doors with frame by lifting one side of door, removing weight from hanger. Turn dial until doors are vertically aligned with frame. Release door so that it returns to original position.



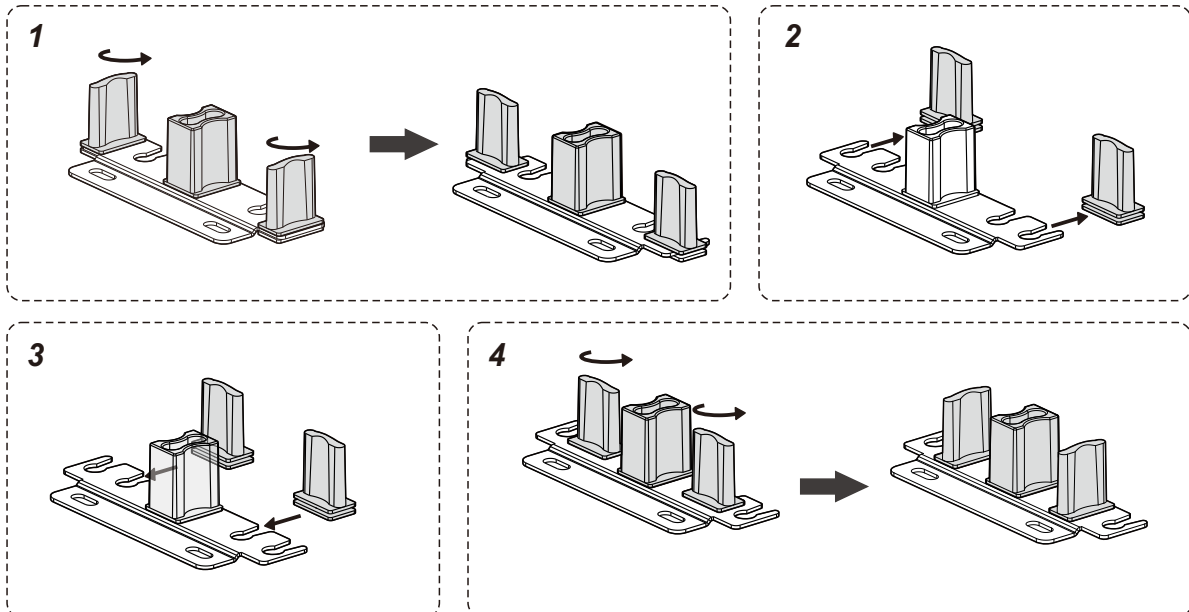
### INSTALL DOOR GUIDE

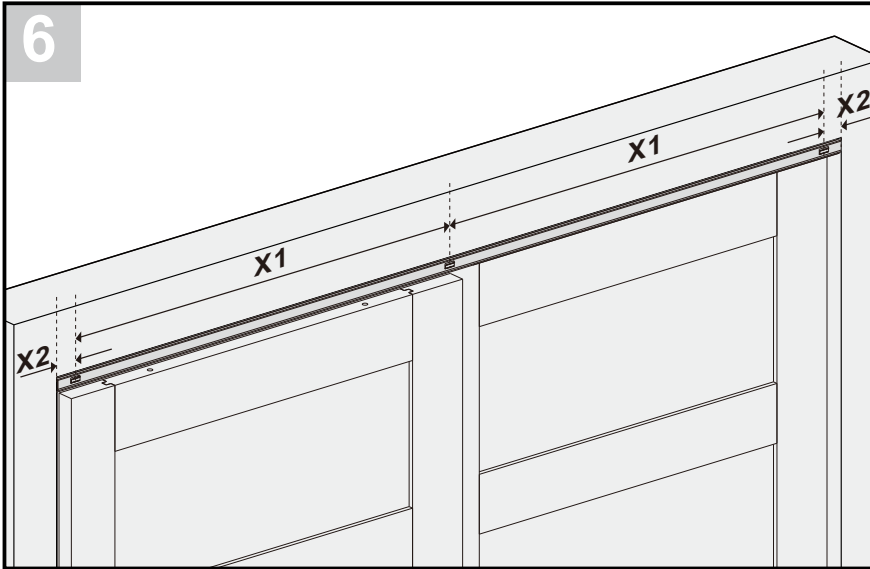
Insert nylon post section into metal plate of door guide, according to thickness of door. Position the guide beneath overlap of doors, as shown. Using supplied #8 x 5/8 in screws, securely fasten guide to floor.

**NOTE:**

To elevate guide, use a carpet riser as needed.

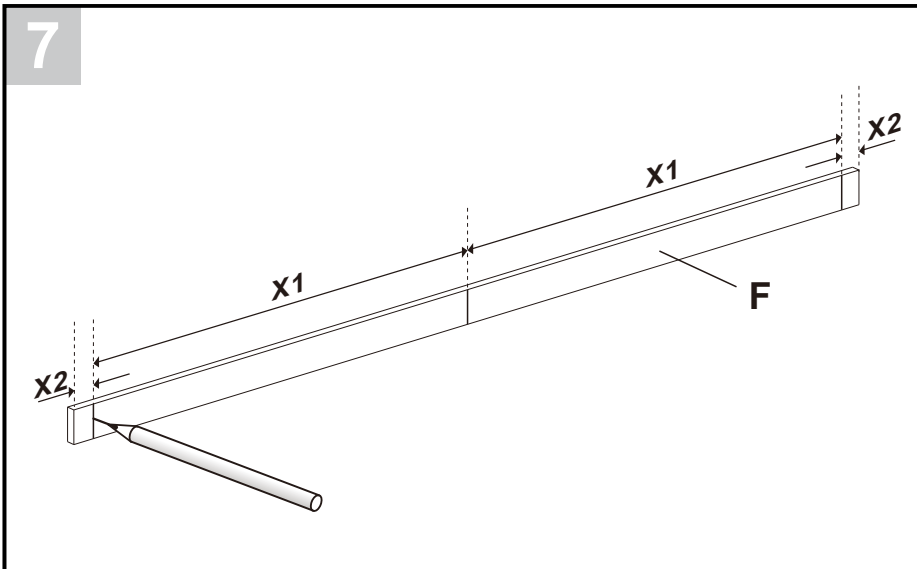
**⚠ Floor guide installation instruction for 55/64 in(22mm) thick wood door :**





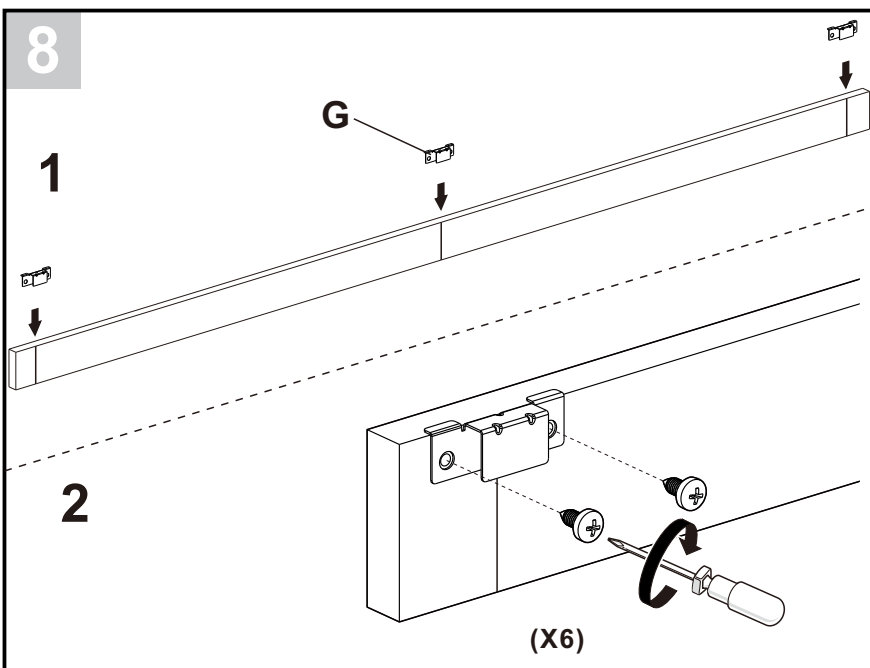
**INSTALL FASCIA**

Measure distance X1 between side clasp and center clasp on the track.  
Measure distance X2 from track edge and side clasp.



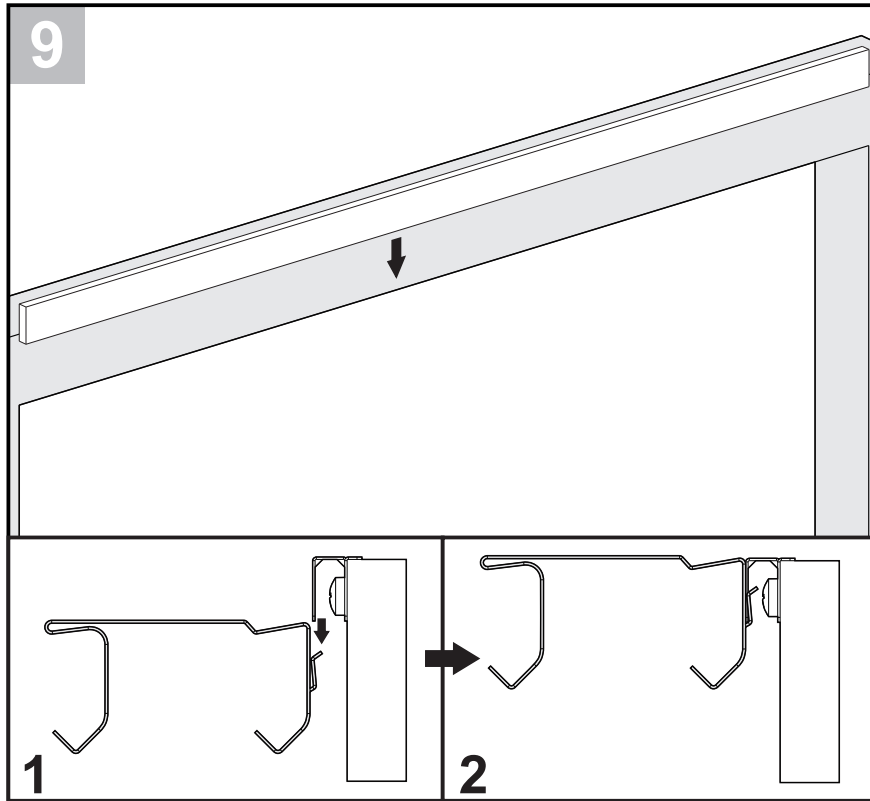
**INSTALL FASCIA**

Mark locations on the fascia with pencil using measured figure.



**INSTALL FASCIA**

Attach clasp connector to fascia use screws and at the center of the mark.



## INSTALL FASCIA

Attach fascia to the track by connecting fascia clasp connectors and track clasps.