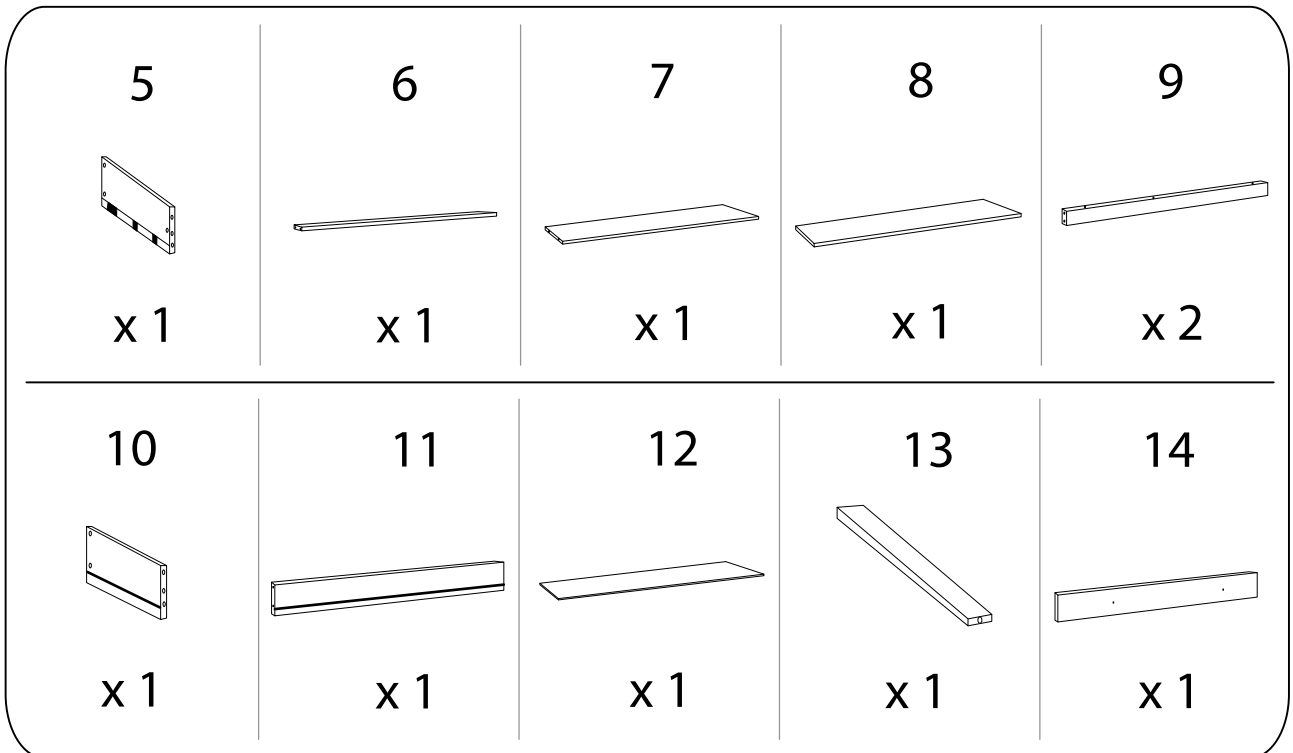
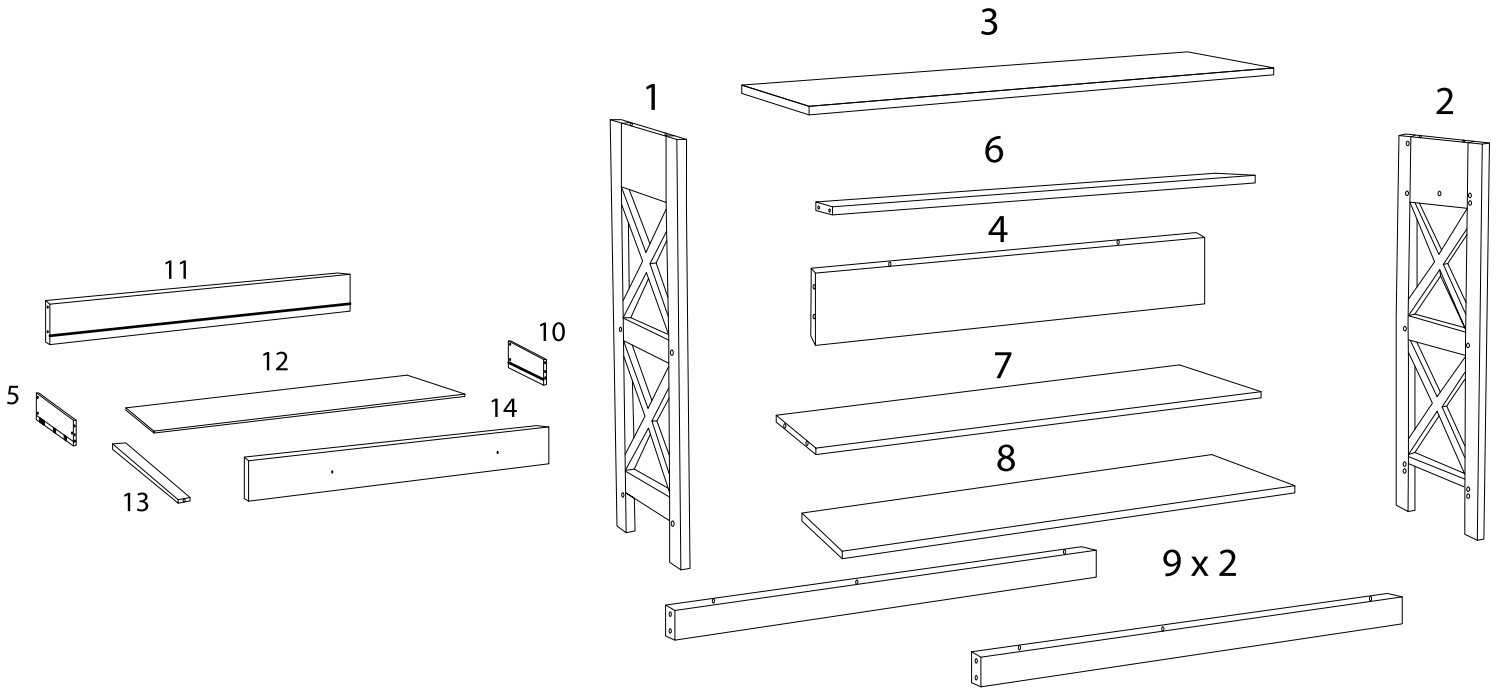
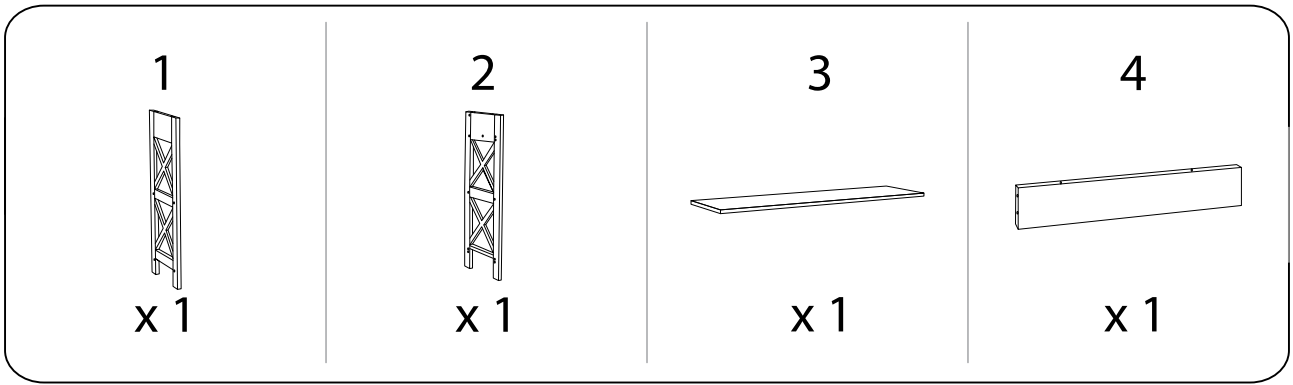
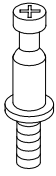


Assembly instructions for the cabinet:

- Tools:** A screwdriver is required (shown in a circle). A power drill is not required (shown with a diagonal slash through it).
- Warning:** A warning triangle with an exclamation mark is present.
- Time:** Estimated assembly time is 40 minutes (shown with a clock icon).
- Personnel:** One person is required for assembly (shown with a person icon).
- Warning:** A second warning triangle with an exclamation mark is present.
- Assembly Step:** A diagram shows a shelf being placed on a base with a diagonal slash through the assembly, indicating a specific step or warning.

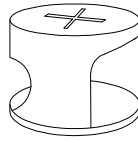


A



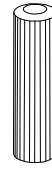
x 17

B



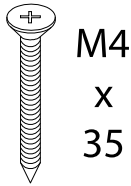
x 17

C



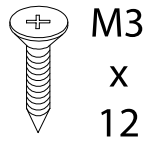
x 4

D



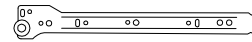
x 13

E



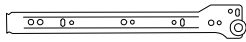
x 4

F



x 1

G



x 1

H



x 2

I



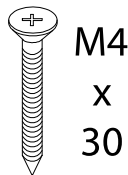
x 2

J



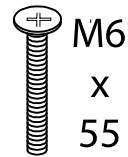
x 4

K



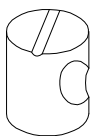
x 2

L



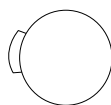
x 8

M



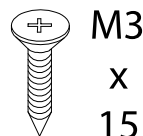
x 8

N



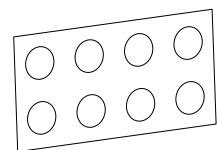
x 2

O



x 2

P



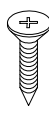
x 8

1

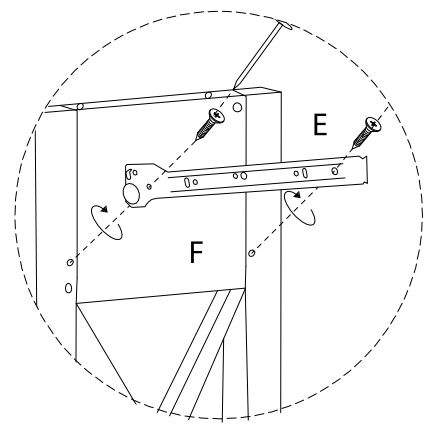
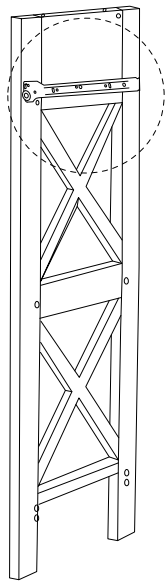
1  
x 1



E  
M3  
x  
12  
x 2



F  
x 1

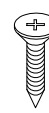


2

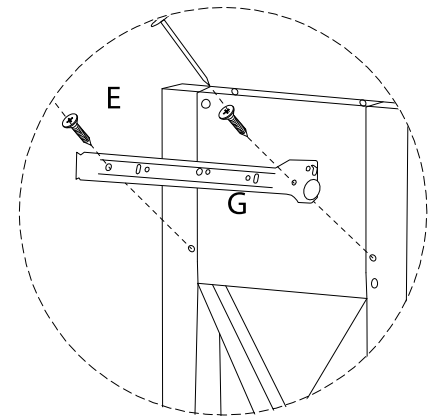
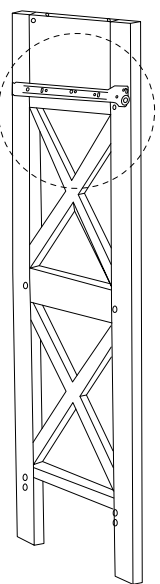
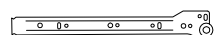
2  
x 1



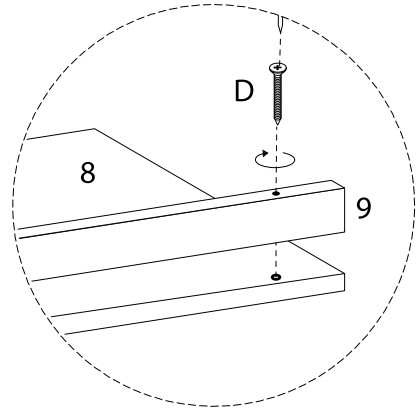
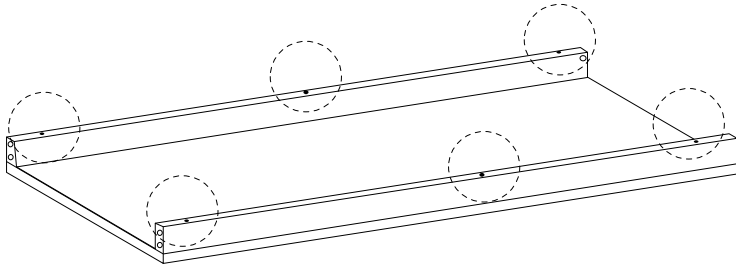
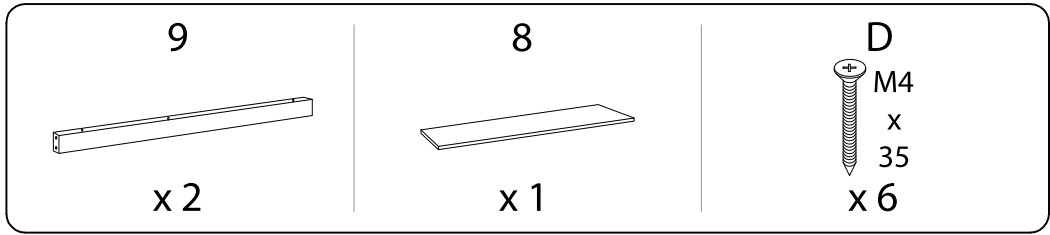
E  
M3  
x  
12  
x 2



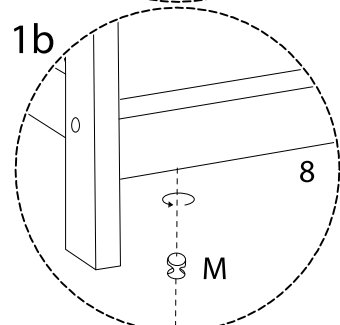
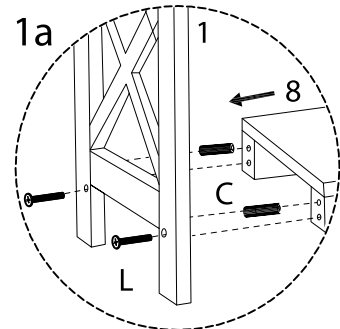
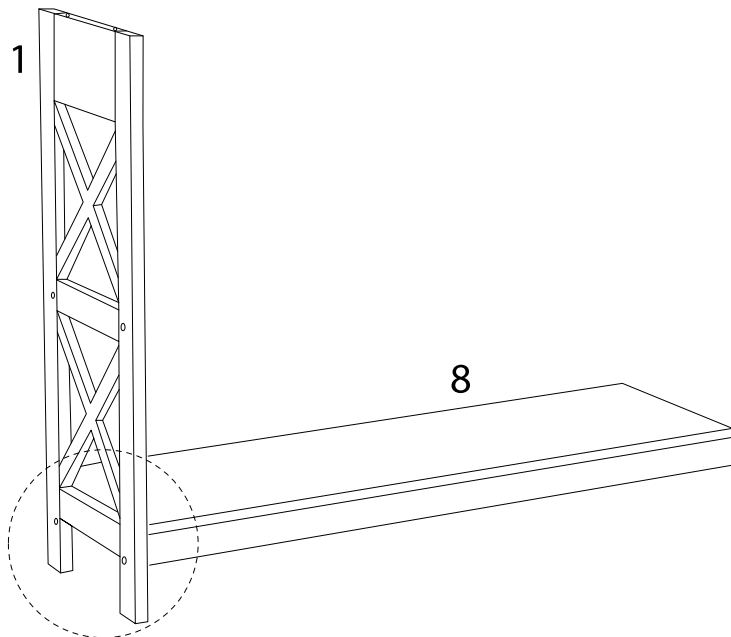
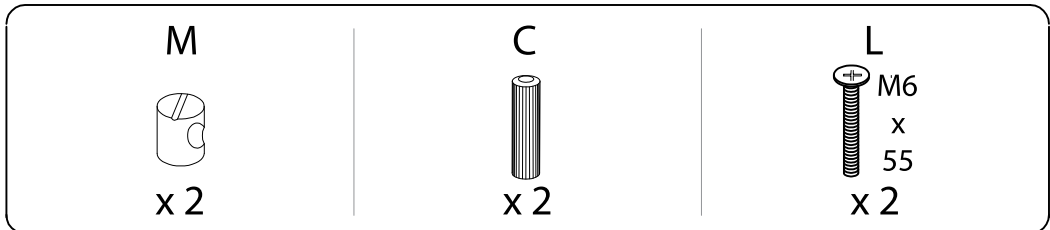
G  
x 1



3



4



5

M



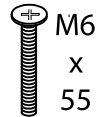
x 2

7

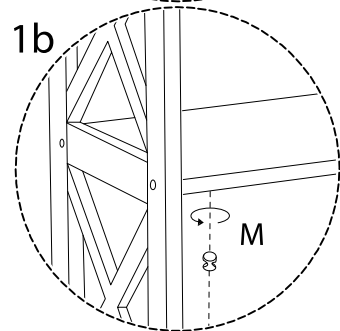
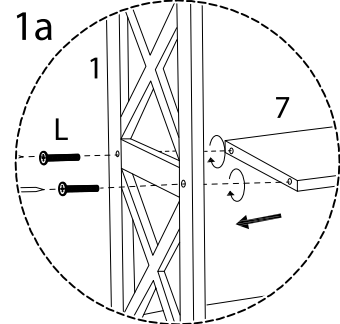
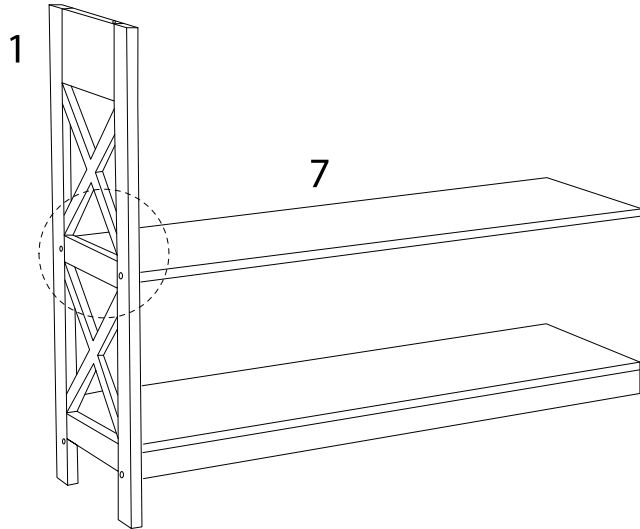


x 1

L



x 2



6

A



x 2

4

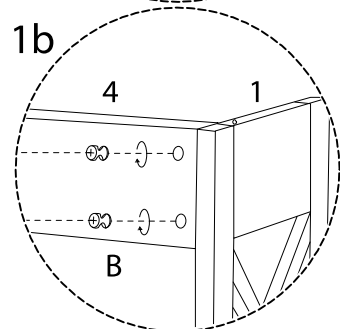
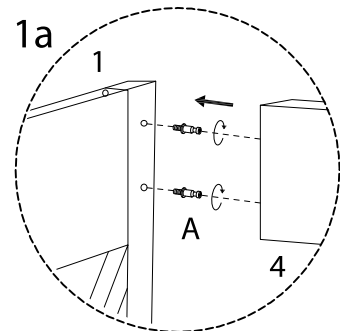
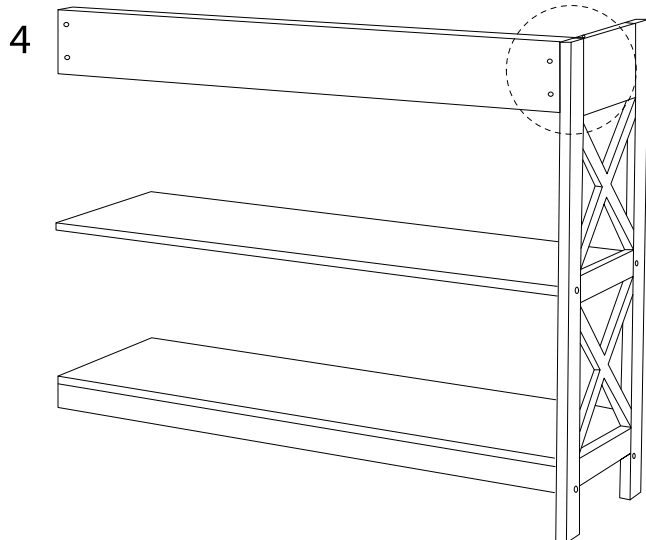


x 1

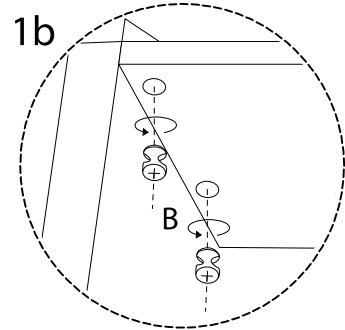
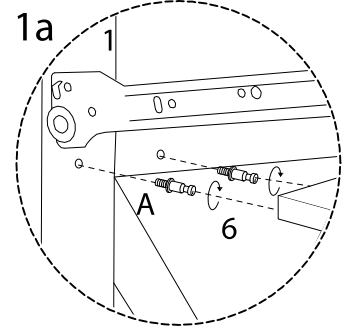
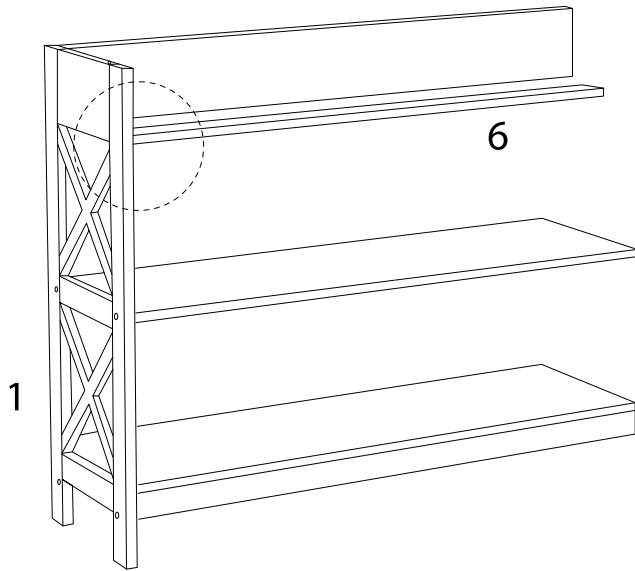
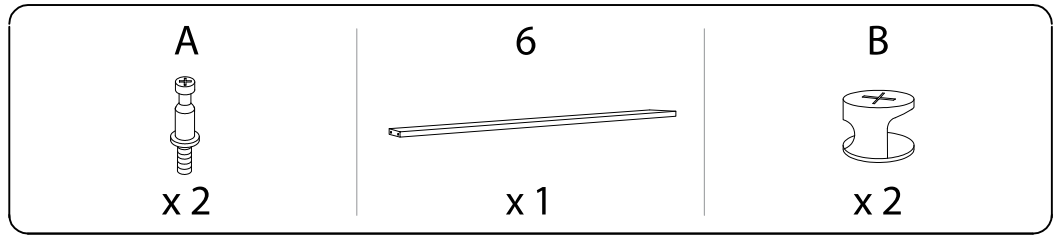
B



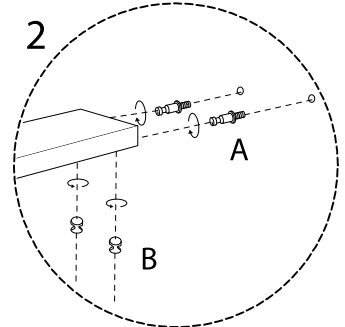
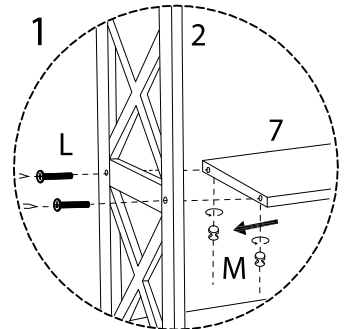
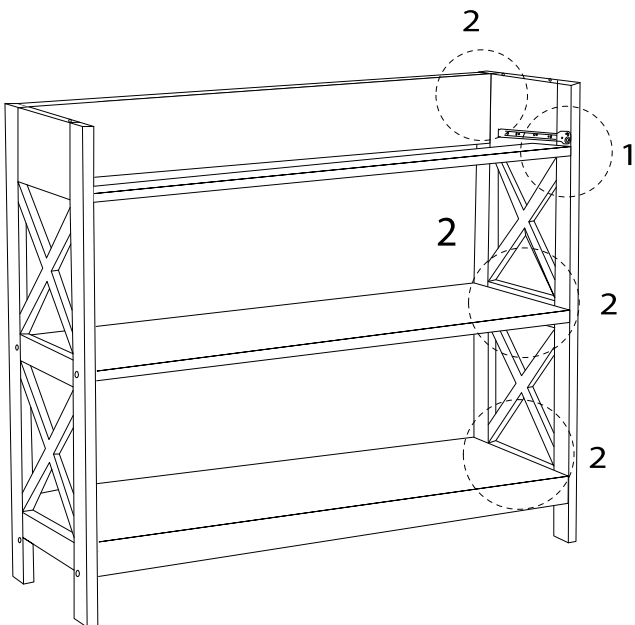
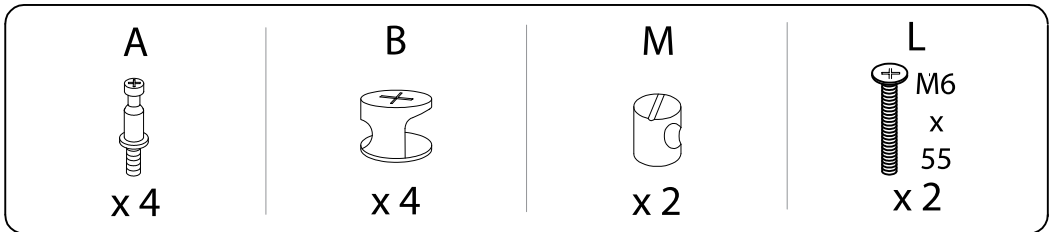
x 2



7



8



9

A

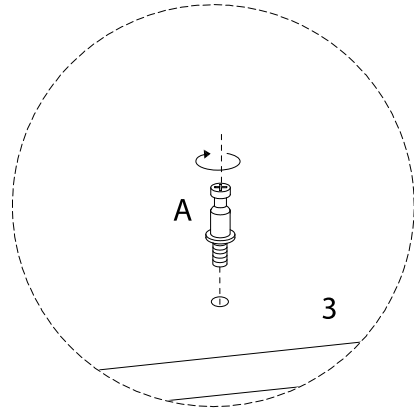
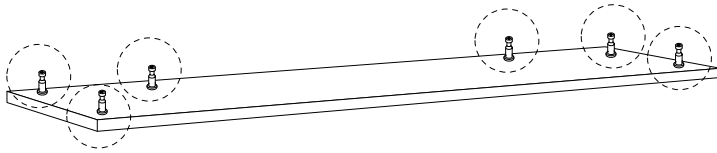


x 6

3



x 1

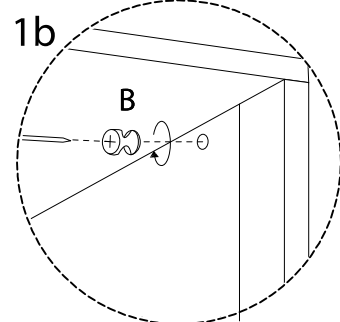
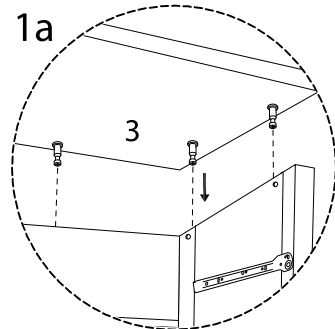
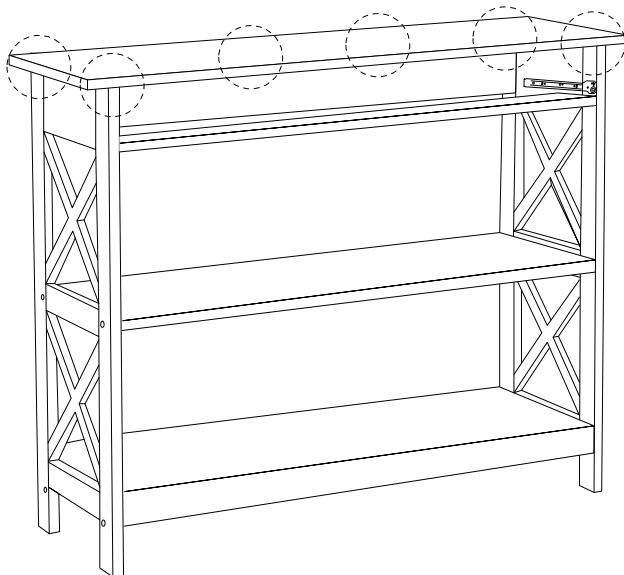


10

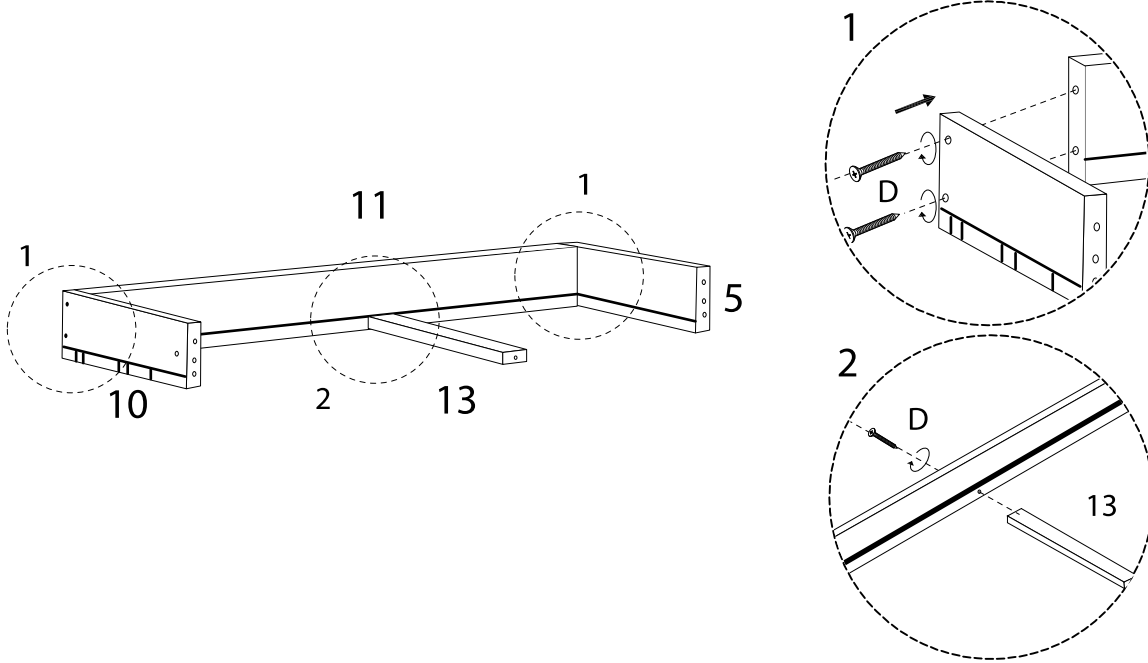
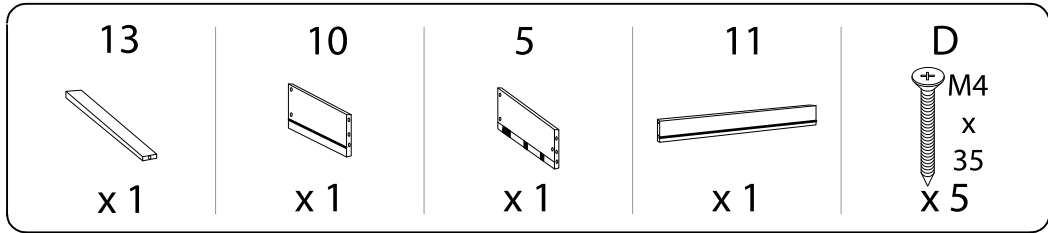
B



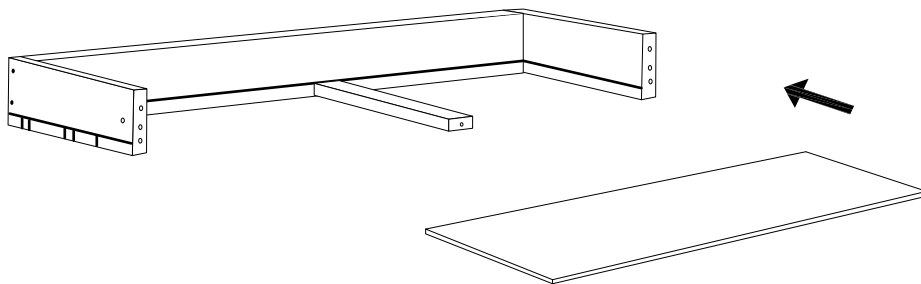
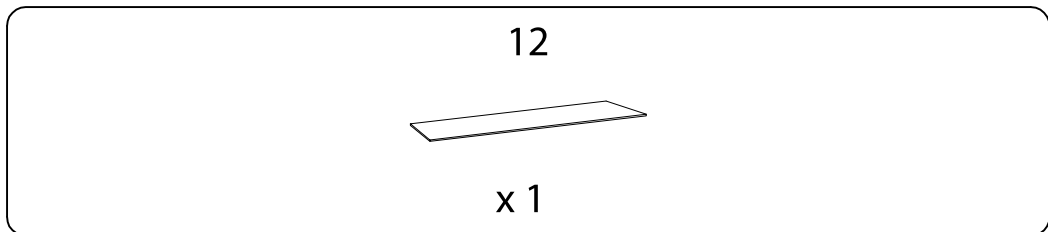
x 6



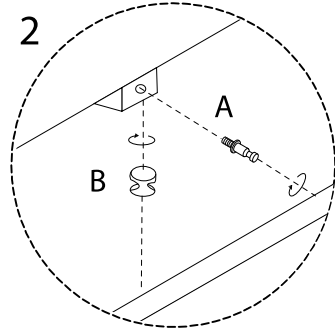
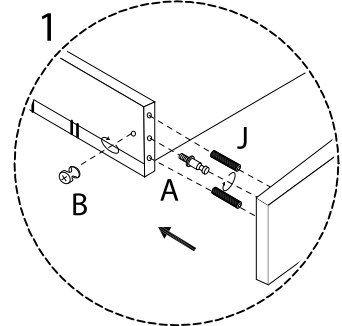
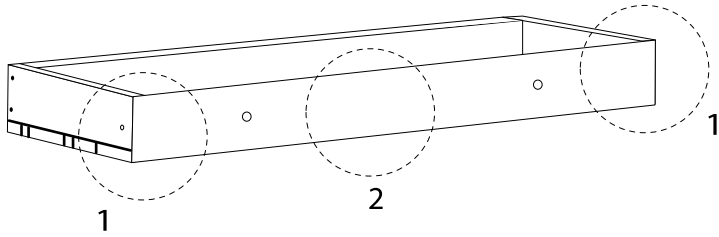
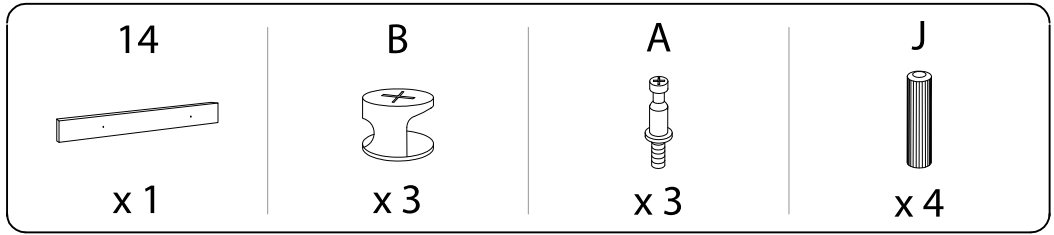
11



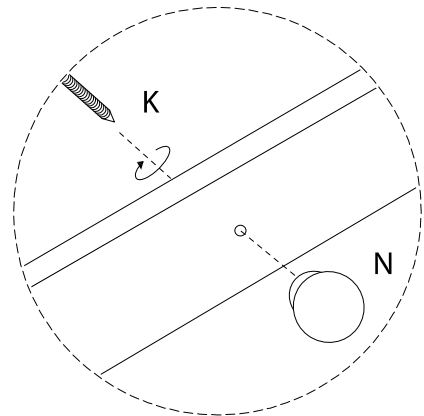
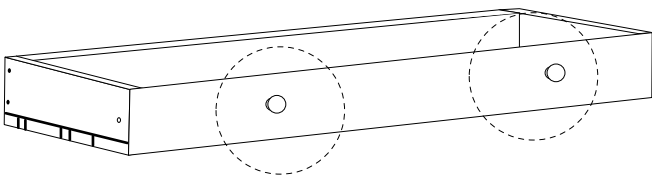
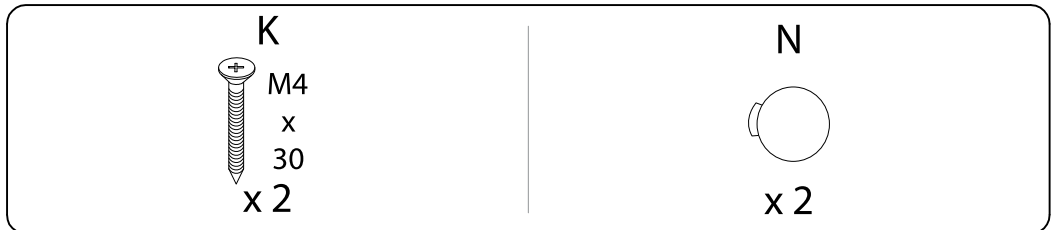
12



13

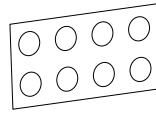


14

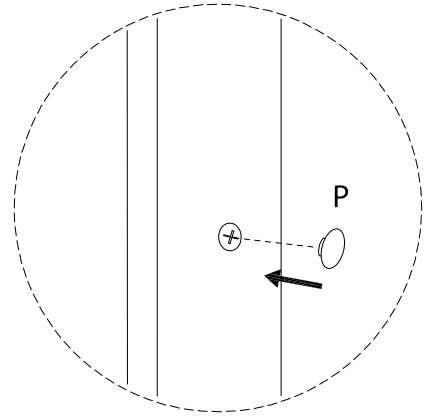
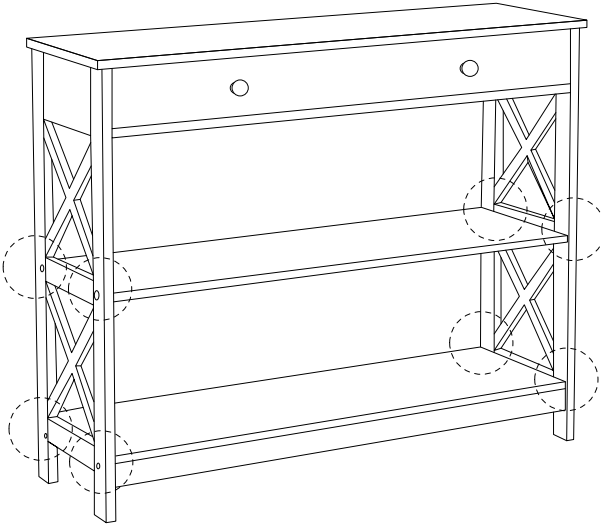


15

P

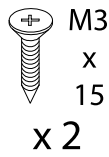


x 8



16

O



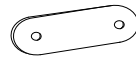
x 2

K



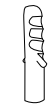
x 2

F



x 2

H



x 2

