



AmgoodSupply

Thank you for purchasing our product!

Issues with your order? Give us a chance to make things right.
Do not return this item back to the store. Contact our friendly customer
service department with any problems, comments or concerns.
Replacements for missing or damaged parts are shipped within 1 business day.

Email: **Support@AmGoodSupply.com**

Please check out our other products

Stainless Steel Work Tables
Equipment Stands
Stainless Steel Shelves
Commercial & Utility Sinks
Bakery Racks
Hood Filters
Storage Shelving
Utility Carts
Dunnage Rack
Commercial Floor Strainers
Grease Traps

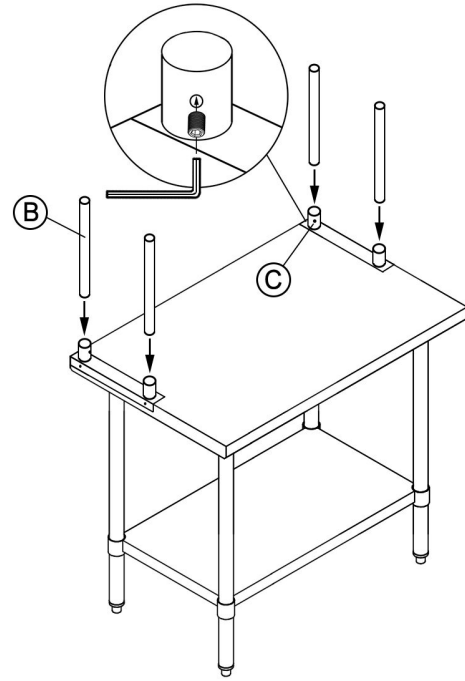
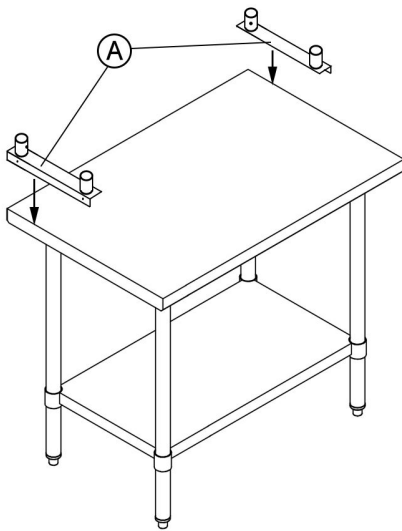
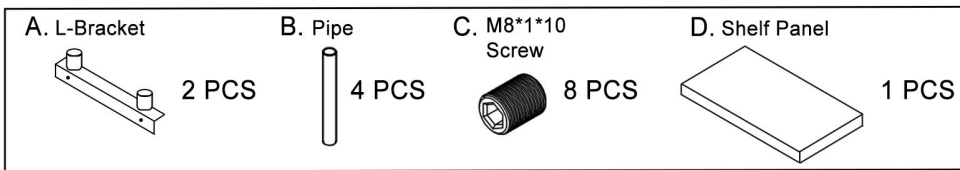
AmGood Supply is a leading manufacturer and distributor of stainless steel and metal products for commercial and residential applications.

Our customers include homeowners, restaurants, retail and manufacturing businesses, non-profits, as well as state, local, and federal government agencies.

WWW.AMGOODSUPPLY.COM

Single OverShelf Assembly Instruction

Accessories

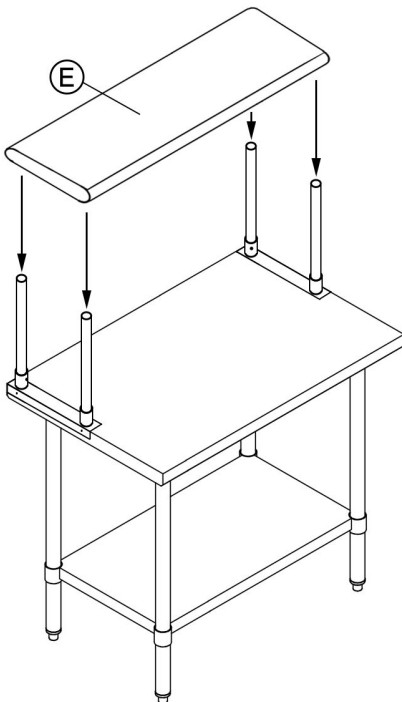


1. Attach the L-Brackets

- Position the two L-brackets (A) against the back edge of the table.
- Pre-drill holes into the sides of the tabletop to accommodate the screws.
- Secure the L-brackets to the table using screws (not provided).

2. Install the Legs

- Attach the four legs (B) to the L-brackets using the provided set screws (C) and the Allen wrench.



3. Install the Overshelf

- Place the overshelf top (D) onto the legs, aligning the gussets with the leg ends.
- Secure the top to the legs using the provided set screws and Allen wrench.
- If you encounter difficulty inserting a set screw, loosen it slightly and then tighten it securely into place.

4. Your overshelf is now assembled and ready for use!

