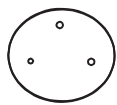
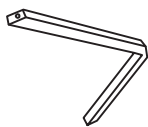


ASSEMBLING INSTRUCTION

1.X1PC



2.X3PCS



3.X1PC



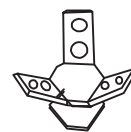
4.X3PCS



5.X3PCS



6.X1PC



A.X6PCS



B.X6PCS



C.X1PC



D.X3PCS



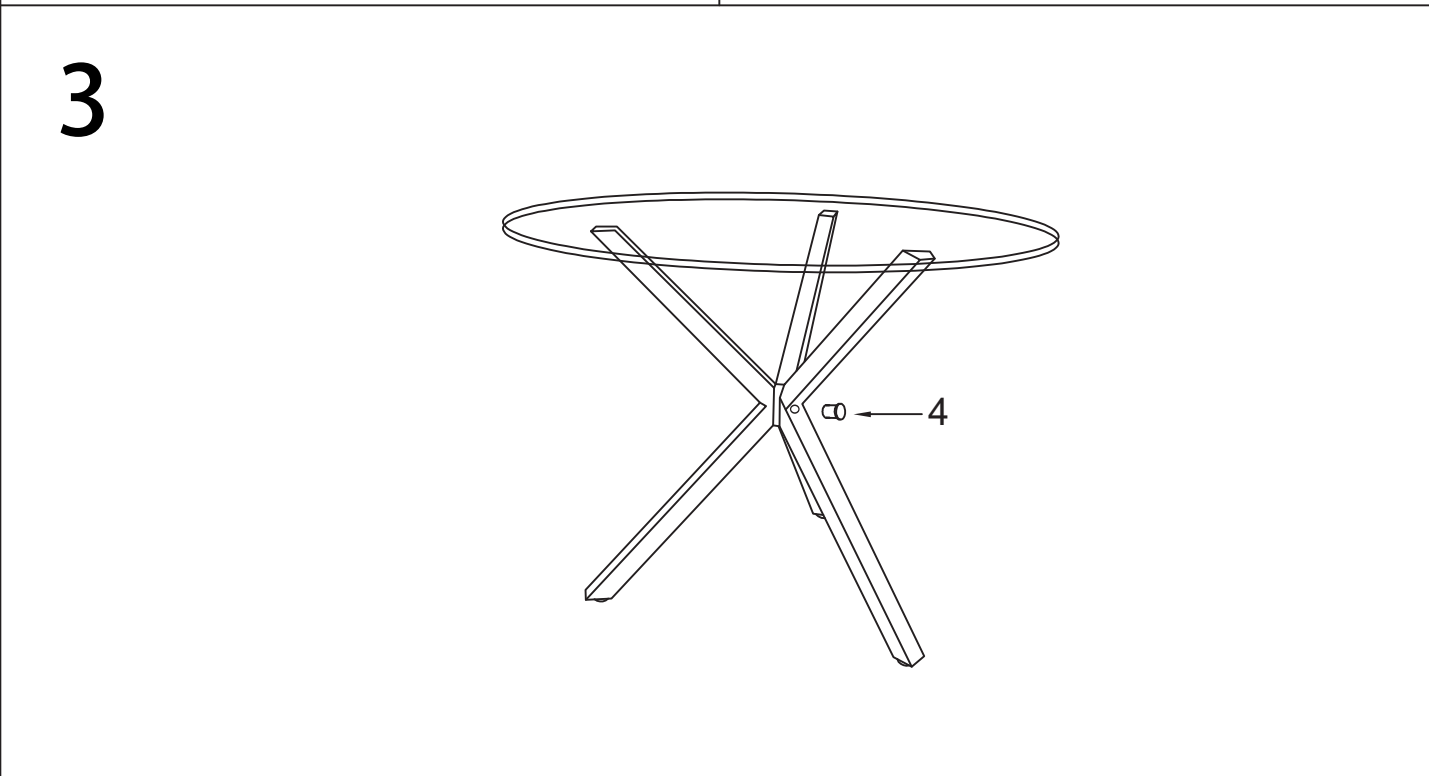
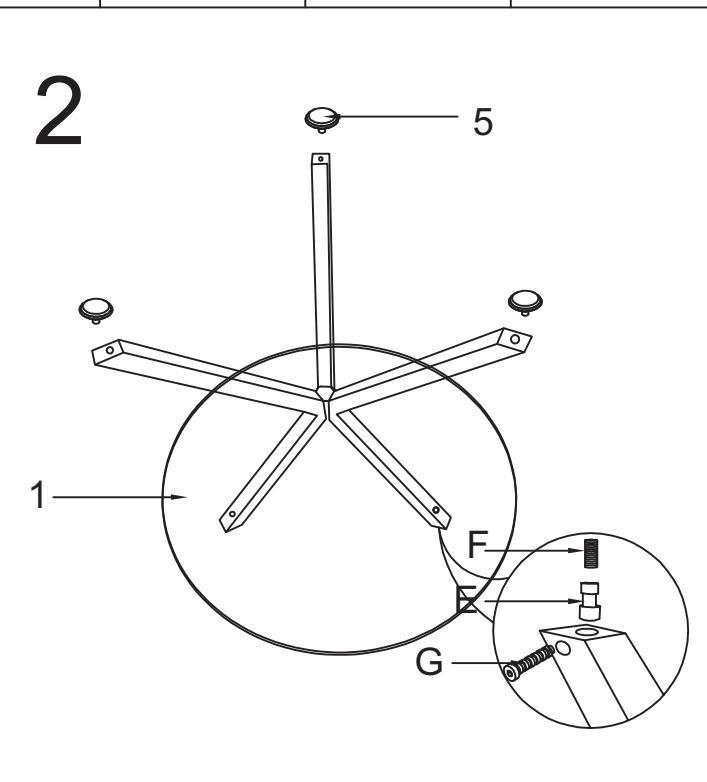
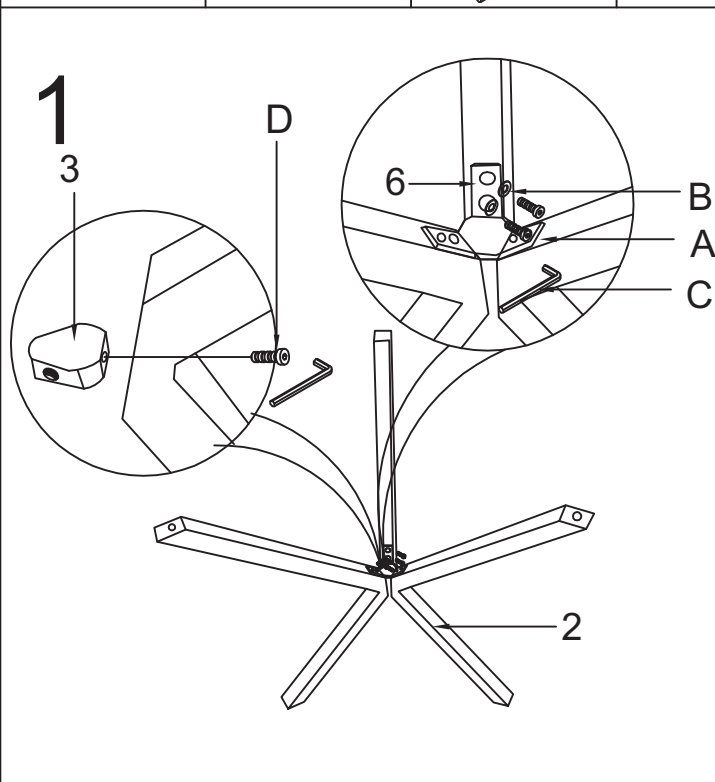
E.X3PCS



F.X3PCS



G.X3PCS



Remark: In the step 1, the screws in the table legs should be 50% fixed overall first, and 100% complete separately