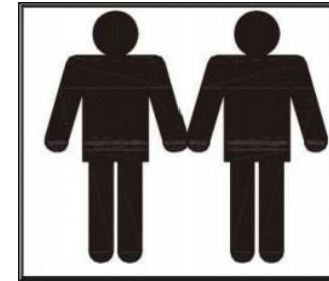
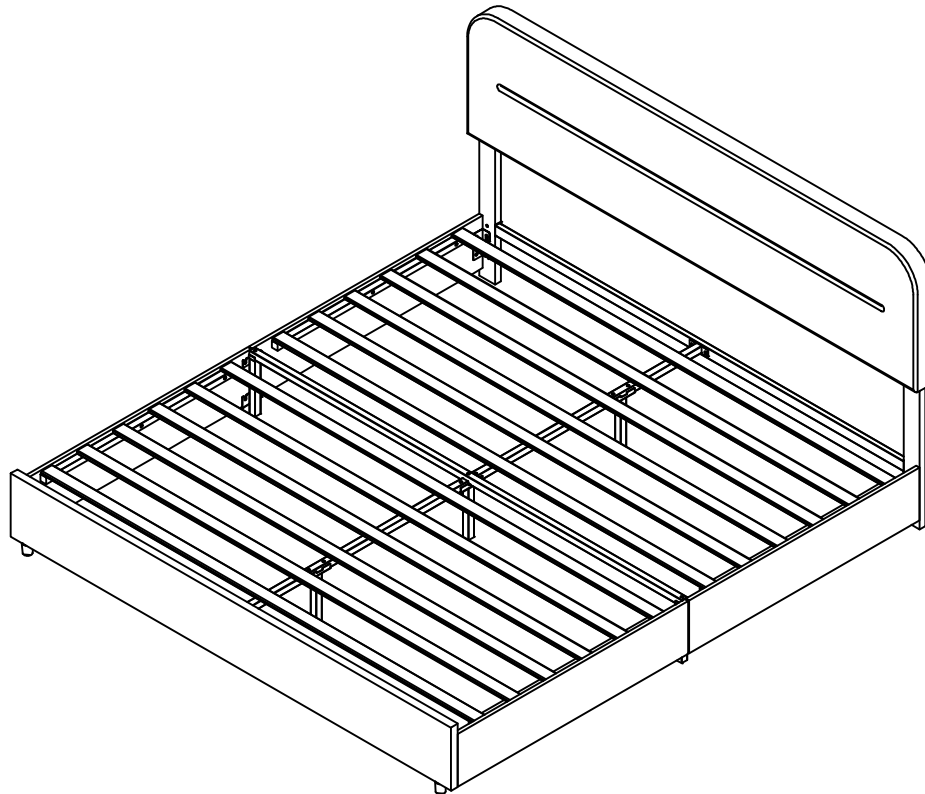


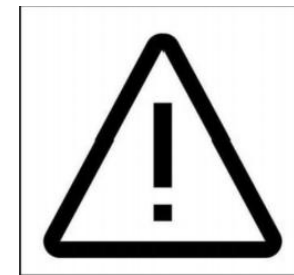
Assembly Instruction

Note:

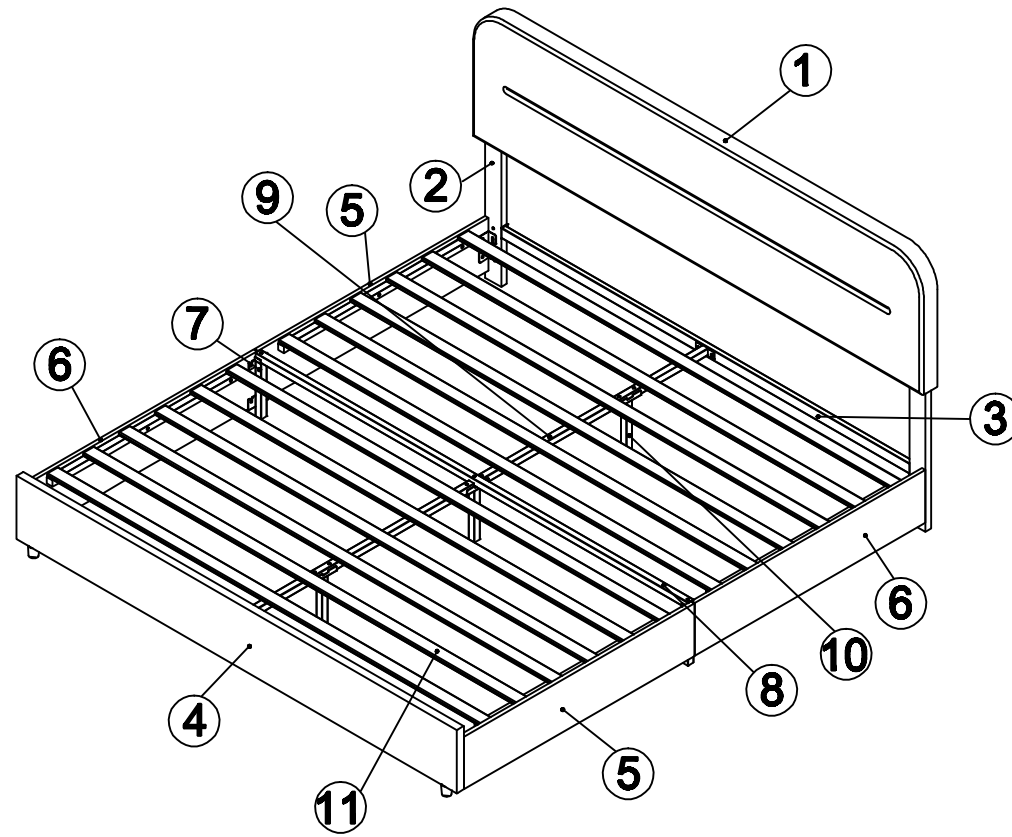
- 1. Should be assembled on flat ground to keep balance.**
- 2. Before completing the installation, do not tighten the screws.**



It needs at least two people to install.







Before starting the assembly, you must read the whole manual and follow the instructions.

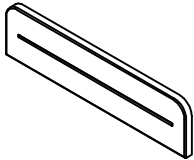


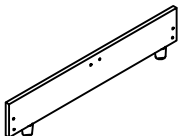
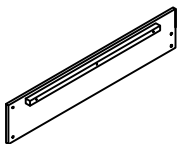
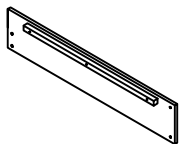

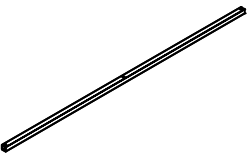
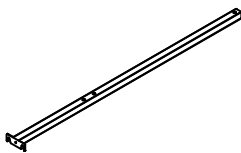
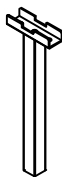
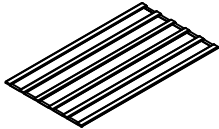

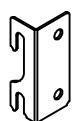


Assembly Instruction



Hardware arts

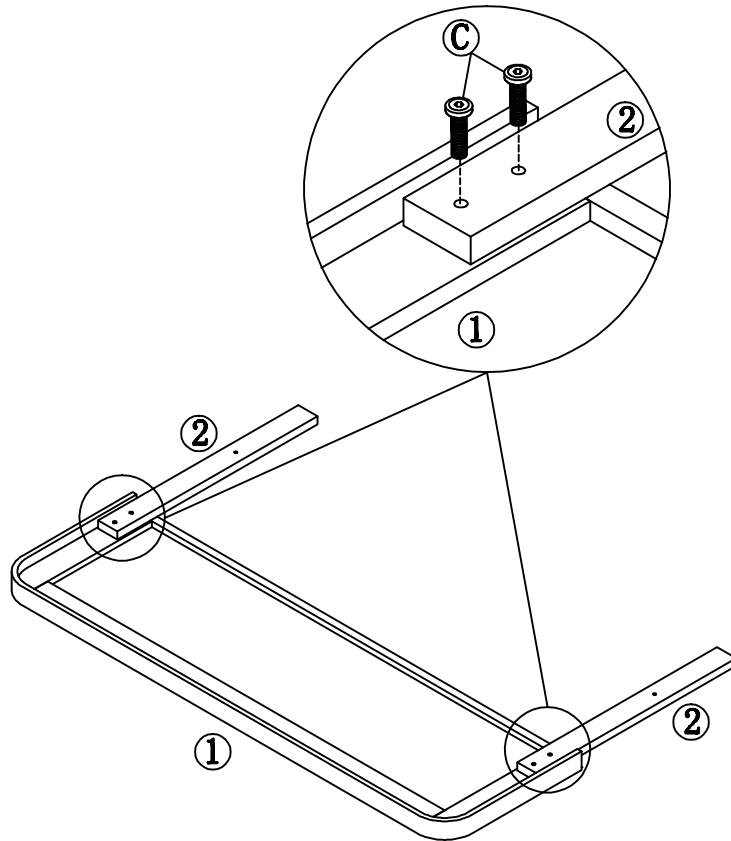
 <p>Ⓐ M8*20 32PCS</p>	 <p>Ⓑ M8x35 8pcs</p>	 <p>Ⓒ M8x45 5pcs</p>	 <p>Ⓓ 4# 1pc</p>	/	/	/
--	---	---	---	---	---	---



Part list

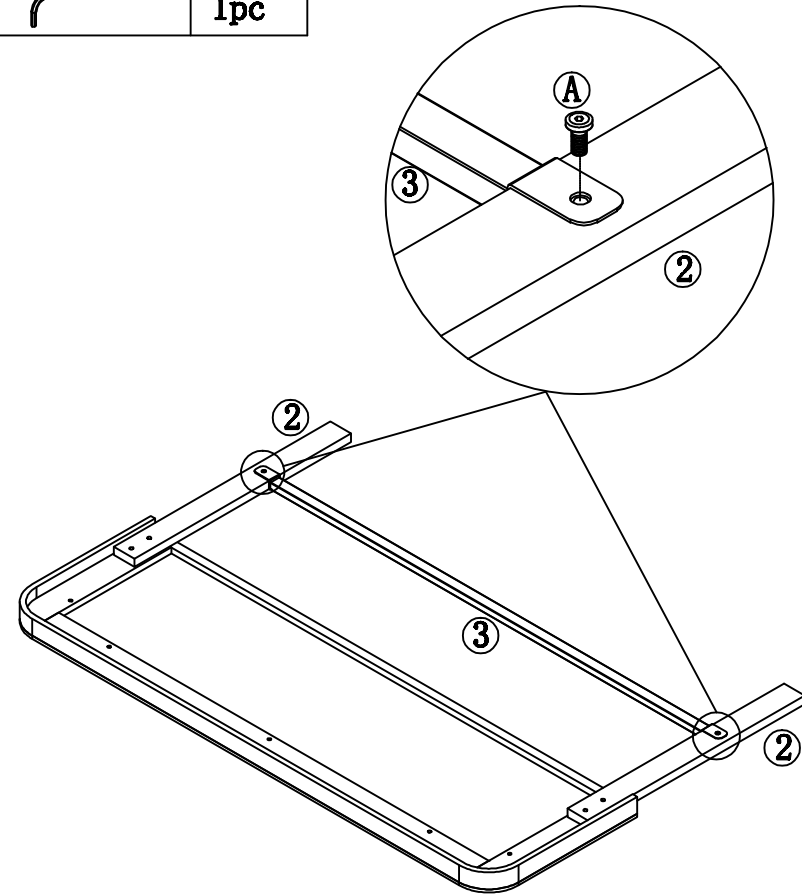
 <p>Ⓛ 1 PC</p>	 <p>Ⓜ 2 PCS</p>	 <p>Ⓨ 1 PC</p>	 <p>Ⓩ 1 PC</p>	 <p>ⓐ 2 PCS</p>	 <p>ⓑ 2 PCS</p>	 <p>Ⓒ 2 PCS</p>
 <p>ⓓ 1 PC</p>	 <p>ⓔ 2 PCS</p>	 <p>ⓕ 3 PCS</p>	 <p>ⓖ 2 PCS</p>	 <p>ⓗ 2 PCS</p>	 <p>ⓘ 2 PCS</p>	/
/	/	/	/	/	/	<p>Page 3/8</p>

Assembly Instruction



C	 M8x45	4pc
D		1pc

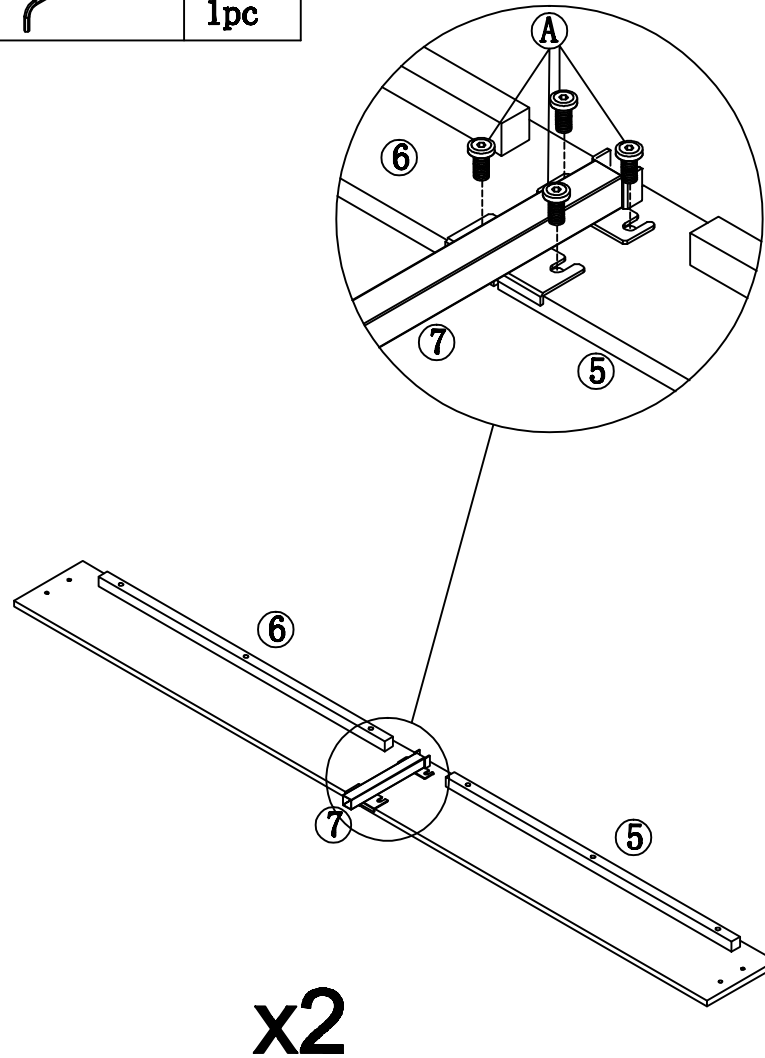




A	 M8x 20	2pc
D		1pc

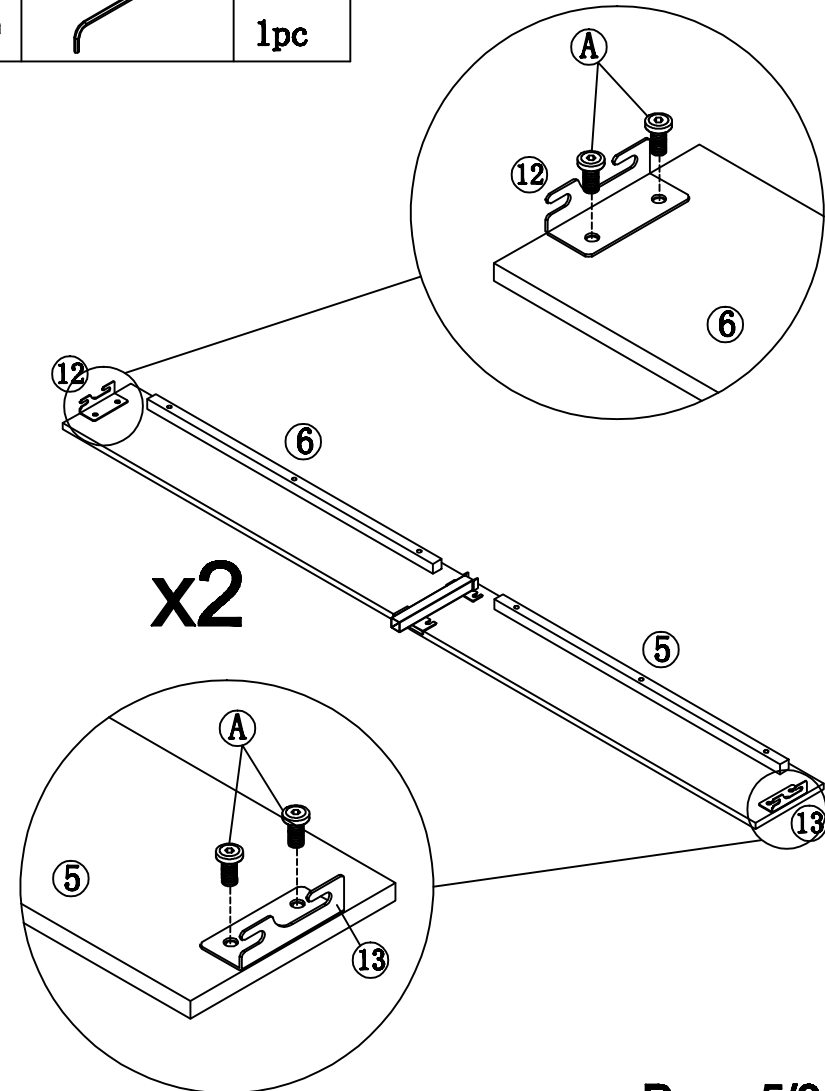


Assembly Instruction



A	 M8x 20	8pcs
D		1pc

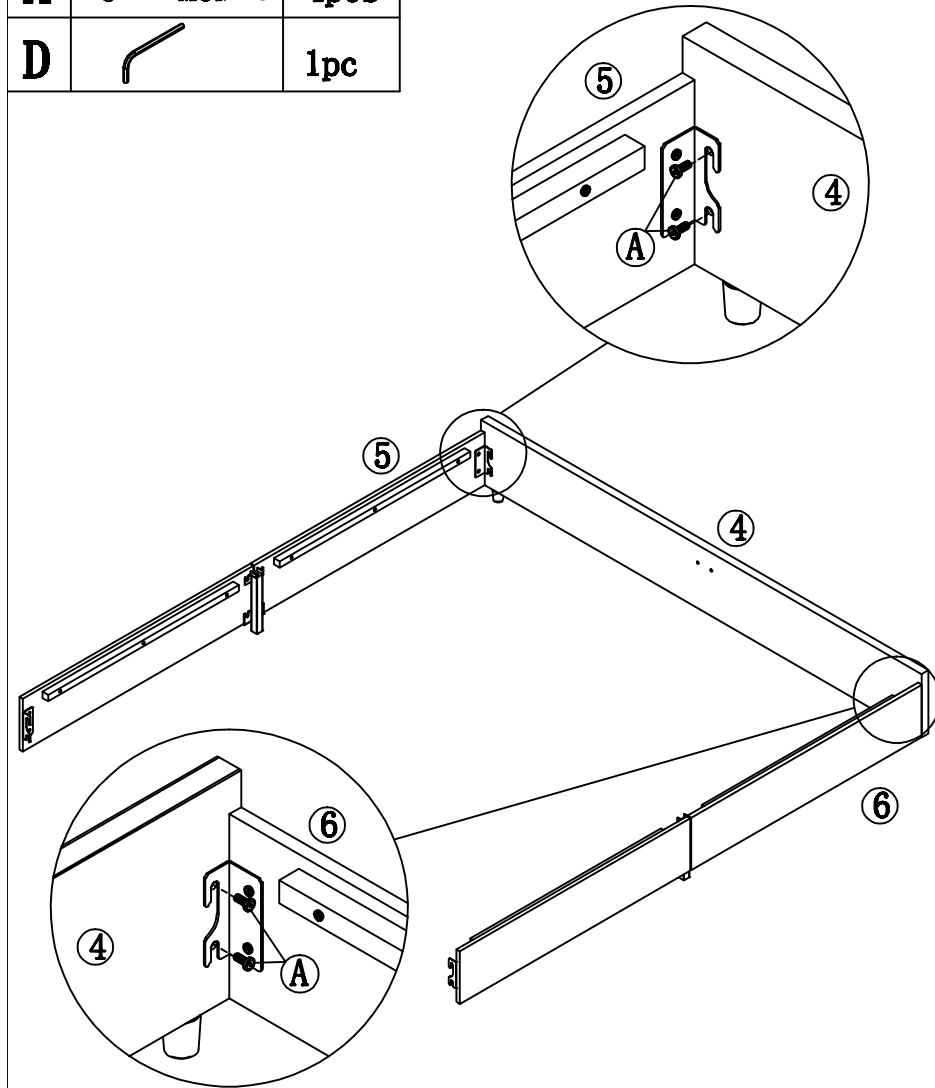




A	 M8x20	8pcs
D		1pc

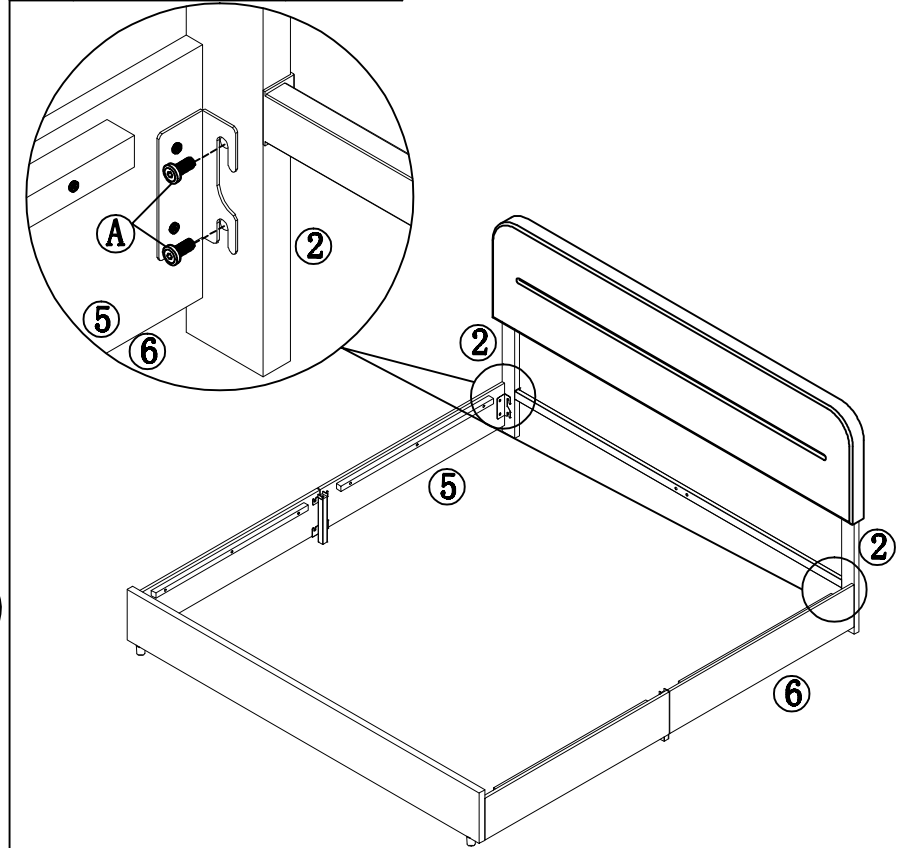


Assembly Instruction




A	 M8x20	4pcs
D		1pc

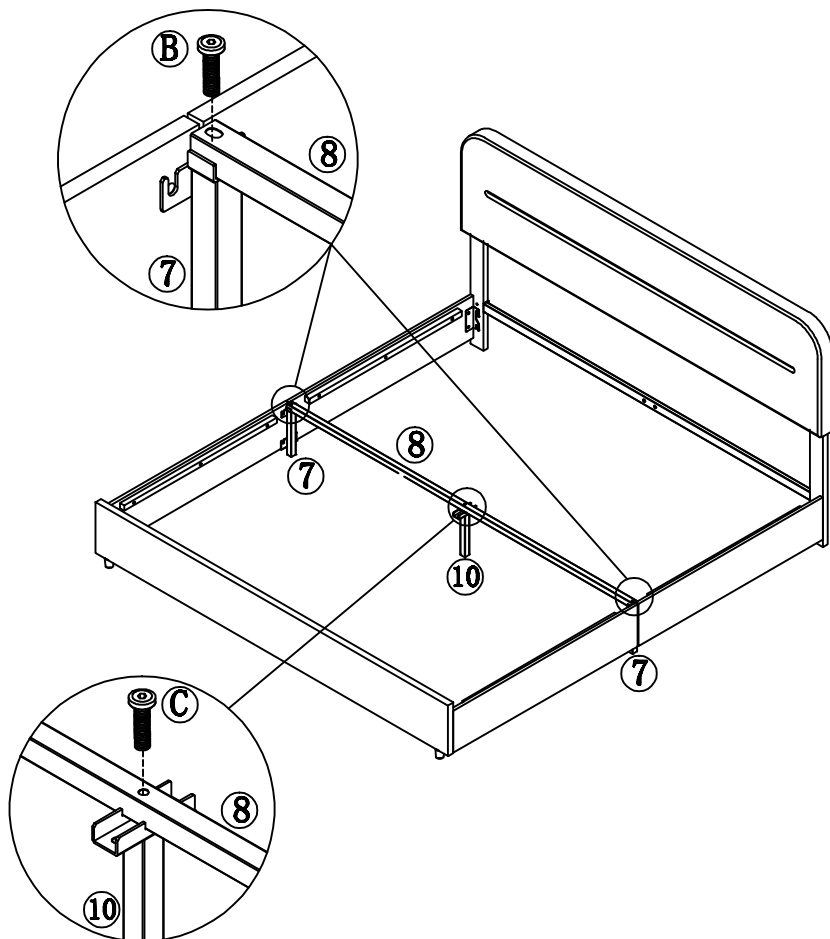





A	 M8x20	4pcs
D		1pc

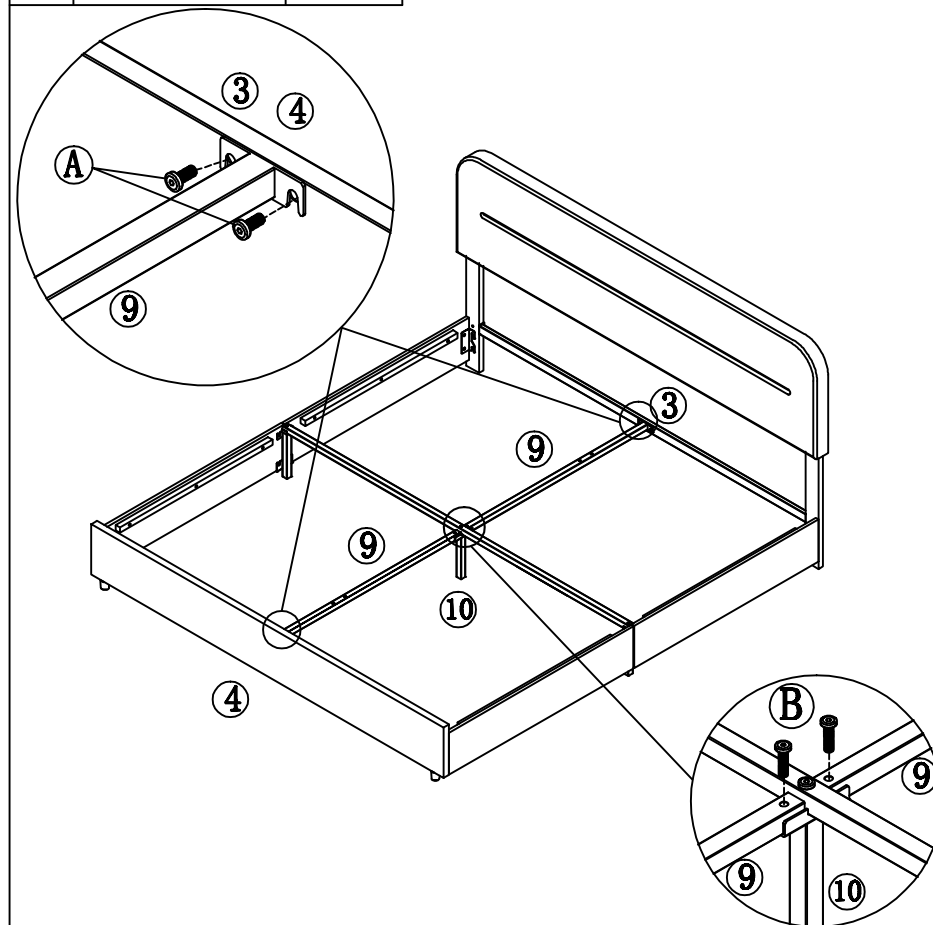


Assembly Instruction



B	 M8x35	2pcs
C	 M8x45	1pc
D		1pc



A	 M8x.20	4pcs
B	 M8x35	2pcs
D		1pc



Assembly Instruction

B	 M8x35	4pcs
D		1pc

