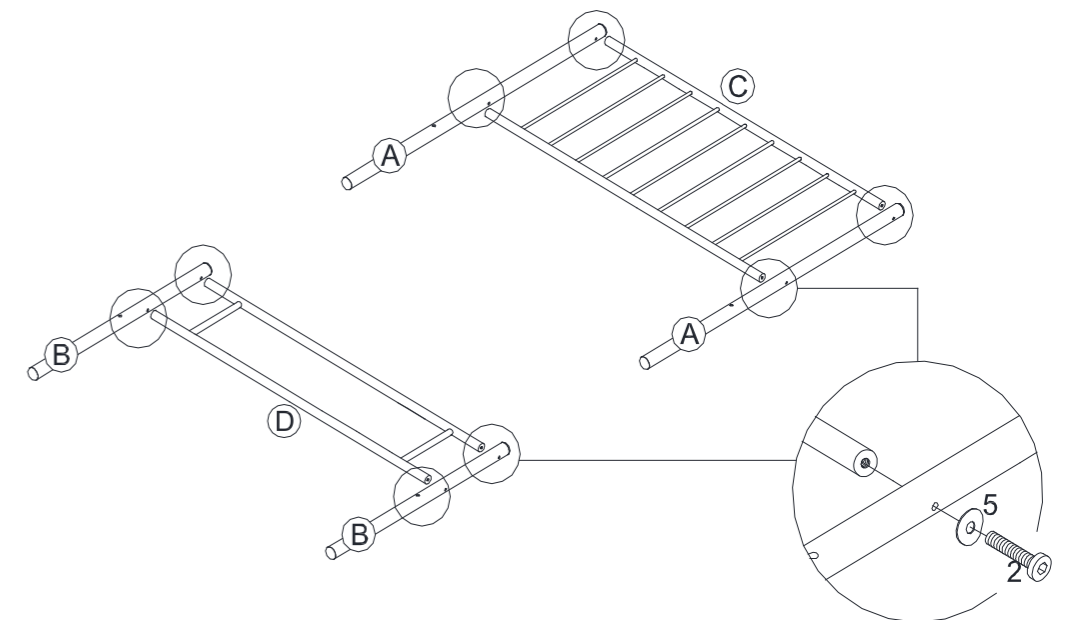


1		M8x65mm	X4
2		M6x50mm	X8
3		M6x35mm	X4
4		M6x15mm	X8
5		M6	X8
6		M6	X4
7			X4
8			X1
9			X1

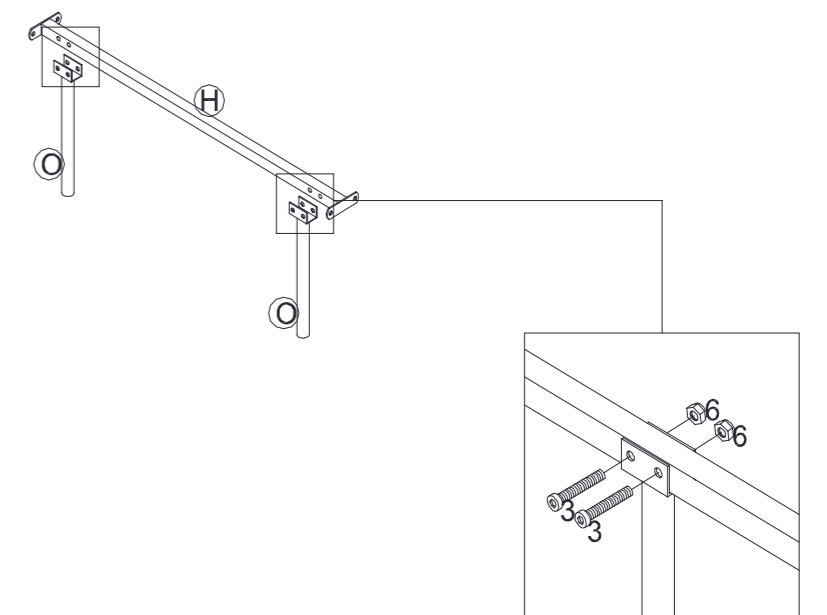
A		X2	B		X2	C		X1	D		X1	E		X2
F		X2	G		X2	H		X1	K		X16	O		X2

step 1



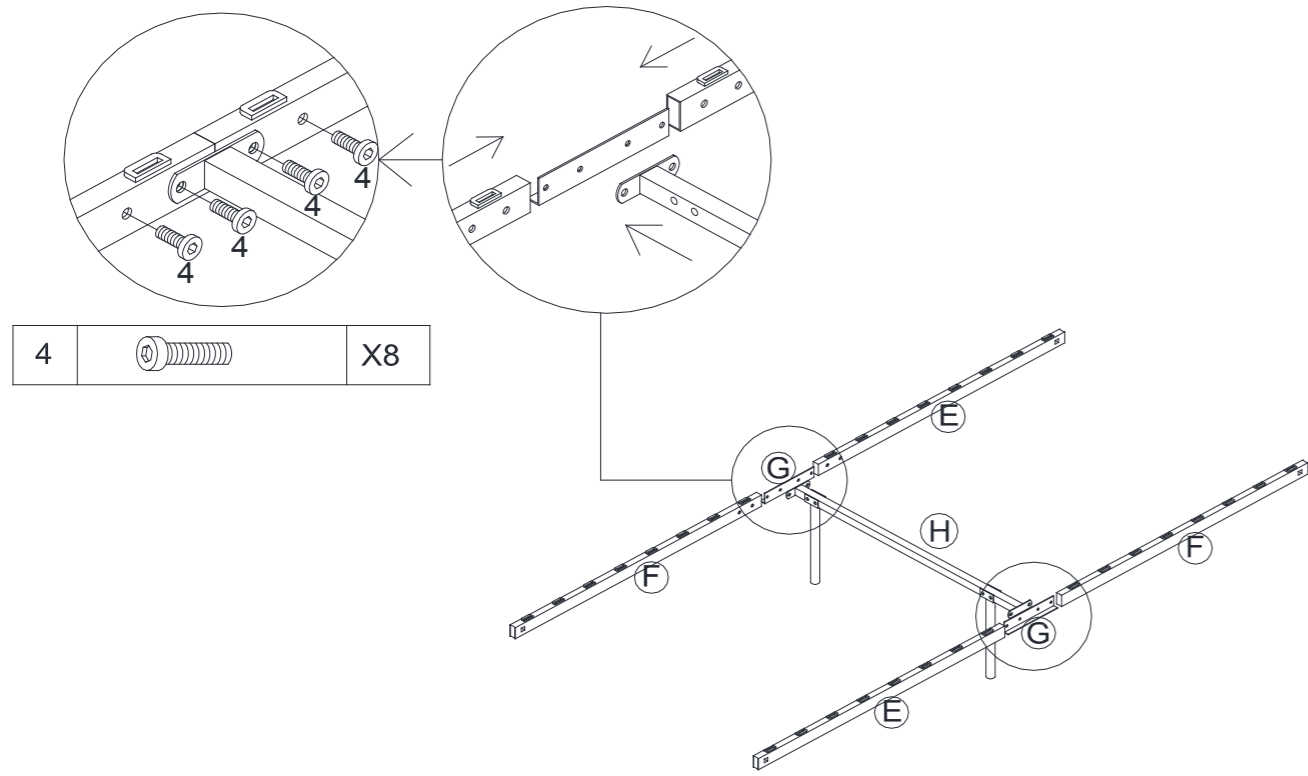
2		X8
5		X8

step 2

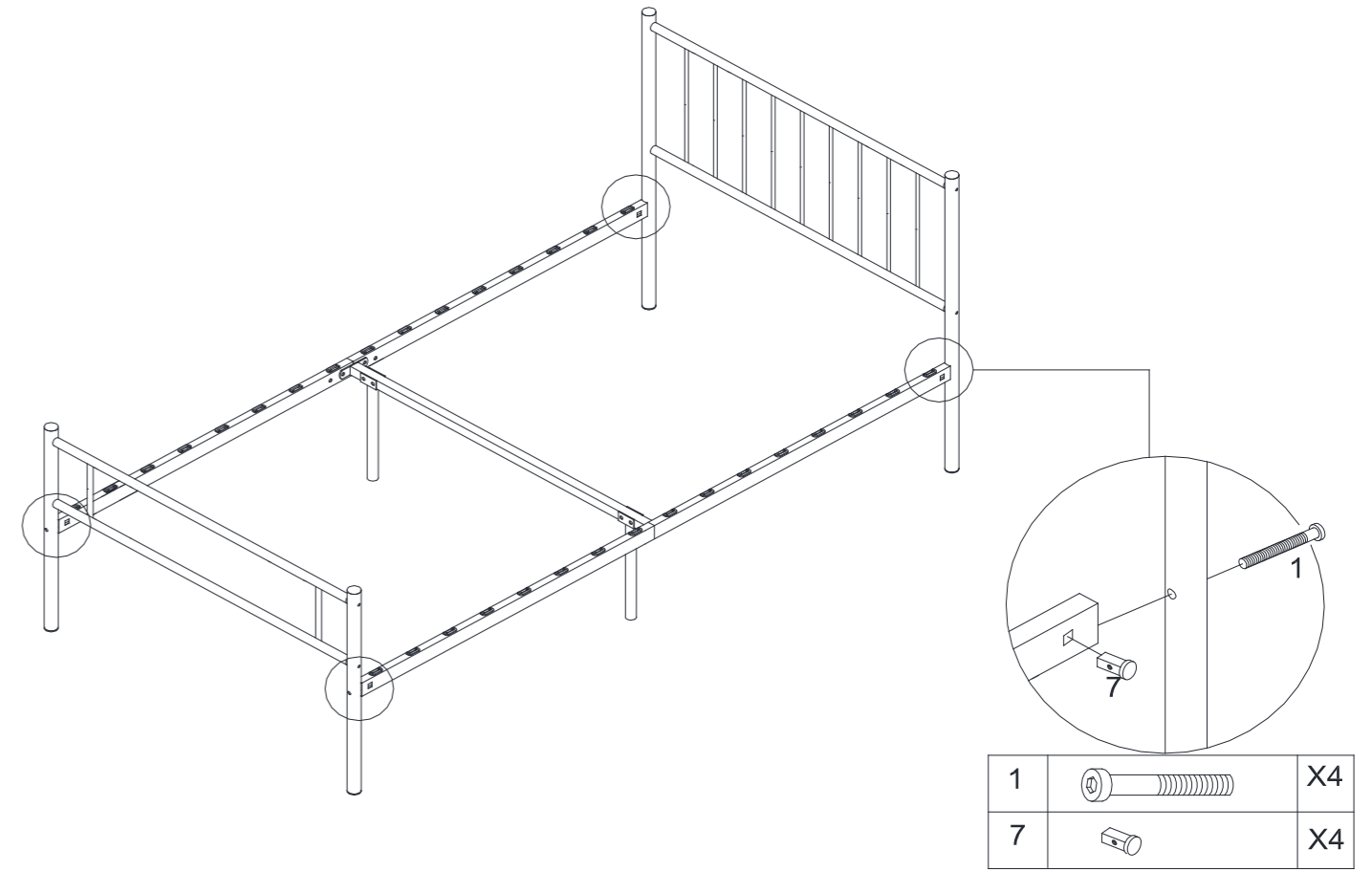


3		X4
6		X4

step 3



step 4



step 5

