



OPAL™ NUGGET ICE MAKER

SAFETY INFORMATION 3

PARTS INCLUDED 5

HARD WATER IMPACT 6

MAKING ICE WITH OPAL..... 7

UNDERSTANDING THE DISPLAY..... 7

ICE SCOOP STORAGE 7

CARE AND CLEANING..... 8

SIDE TANK ACCESSORY SETUP 10

NORMAL OPERATING SOUNDS 11

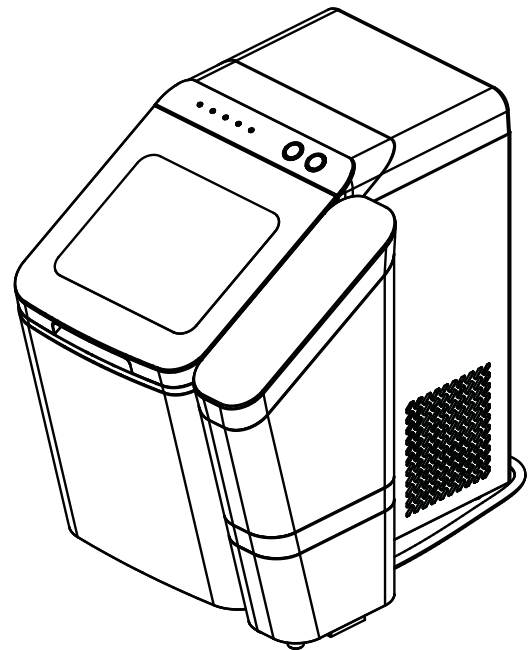
TROUBLESHOOTING 11

LIMITED WARRANTY 12

CONSUMER SUPPORT 13

OWNER'S MANUAL

P4INSASBVTS
**ENGLISH/FRANÇAIS
ESPAÑOL**



Write the model and serial numbers here:

Model # _____

Serial # _____

Find these numbers on a label on the back of the unit.



THANK YOU FOR MAKING GE APPLIANCES A PART OF YOUR HOME.

Whether you grew up with GE Appliances, or this is your first, we're happy to have you in the family.

We take pride in the craftsmanship, innovation and design that goes into every GE Appliances product, and we think you will too. Among other things, registration of your appliance ensures that we can deliver important product information and warranty details when you need them.

IMPORTANT SAFETY INFORMATION

READ ALL INSTRUCTIONS BEFORE USING THE APPLIANCE

▲ WARNING To reduce the risk of fire, explosion, electric shock, or injury when using your Opal, follow these basic safety precautions.

- Do not, under any circumstances, alter or remove the third (ground) prong from the power cord. For personal safety, this product must be properly grounded.
- Do not exceed power outlet ratings. It is recommended that the ice maker is connected to its own circuit. Use only a 115 V, 60 Hz standard electrical supply that is properly grounded in accordance with the National Electric Code and local codes and ordinances.
- Due to potential safety hazards under certain conditions, we strongly advise against the use of an extension cord. However, if you must use an extension cord, it is absolutely necessary that it is a UL-listed, 3-wire ground type appliance extension cord having a grounding type plug and that the electrical rating of the cord be 15 Amperes (minimum) and 120 Volts.
- This product must be properly installed and located in accordance with the installation instructions before it is used. Product is for indoor household use only. Do not use outdoors.
- Do not store or use flammable vapors or liquids near this product.
- Do not allow children to climb, stand, or hang on the ice maker. They could seriously injure themselves.
- Do not use with water that is micro-biologically unsafe or of unknown quality.
- Place power cord in such a way it cannot be pulled on by children or cause a tripping hazard.
- Place power cord in such a way that it is not in contact with hot surfaces.
- Do not operate if any component, including the cord or plug, is damaged.
- Unplug the product before cleaning by hand and when not in use.
- Do not immerse any part of the product in water.
- Do not plug or unplug product with wet hands.
- Do not attempt to disassemble, repair, modify, or replace any part of your product.
- Use this product only for its intended purpose as described in this user manual.
- Do not use any accessories not recommended by the manufacturer.
- When handling, installing, and operating the appliance, care should be taken to avoid damage to the refrigerant tubing.
- Servicing shall be performed by factory authorized service personnel and component parts shall be replaced with manufacturer authorized replacement components.

▲ CAUTION To reduce the risk of injury when using your Opal, follow these basic safety precautions.

- Do not remove any safety, warning, or product information labels from your ice maker.
- Lifting Hazard: It is recommended to have two people move and install the ice maker in order to prevent injury.

Refrigerant and Foam Disposal

Dispose of appliance in accordance with Federal and Local Regulations. Flammable refrigerant and insulation material used require special disposal procedures. Contact your local authorities for the environmentally safe disposal of your appliance.

PROPER DISPOSAL OF YOUR APPLIANCE

Dispose of or recycle your appliance in accordance with Federal and Local Regulations. Contact your local authorities for the environmentally safe disposal or recycling of your appliance.

▲ WARNING  **FIRE OR EXPLOSION HAZARD Flammable Refrigerant**

This appliance contains isobutane refrigerant, also known as R600a, a natural gas with high environmental compatibility. However, it is also combustible. Adhere to the warnings below to reduce the risk of injury or property damage.

1. When handling, installing, and operating the appliance, care should be taken to avoid damage to the refrigerant tubing.
2. Service shall only be performed by authorized service personnel. Use only manufacturer-authorized service parts.
3. Dispose of refrigerator in accordance with Federal and Local Regulations. The flammable refrigerant and insulation material used in this product require special disposal procedures. Contact your local authorities for the environmentally safe disposal of your refrigerator.
4. Keep ventilation openings in the appliance enclosures or in the built-in structure clear of obstruction.
5. To remove frost, scrape with a plastic or wood spatula or scraper. Do not use an ice pick or a metal or sharp-edged instrument as it may puncture the ice maker liner and then the flammable refrigerant tubing behind it.
6. Do not use electrical appliances inside the food storage compartment of the appliance.
7. Do not use any electrical device to defrost your appliance.

READ AND SAVE THESE INSTRUCTIONS

CONSIGNES DE SÉCURITÉ IMPORTANTES

LISEZ, SUIVRE, ET CONSERVER CES INSTRUCTIONS

⚠ AVERTISSEMENT

Pour réduire le risque d'incendie, d'explosion, de choc électrique, ou de blessure lors de l'utilisation de votre Opal, observez les consignes de sécurité élémentaires suivantes.

- En cas, vous ne devez modifier ni retirer la troisième broche (terre) du cordon électrique. Pour votre sécurité, ce produit doit être correctement mis à la terre.
- N'excédez pas les valeurs nominales de la prise électrique. Nous recommandons que la machine à glaçons soit branchée à son propre circuit. Utilisez uniquement une alimentation électrique standard de 115 V, 60 Hz, correctement mise à la terre conformément au code national de l'électricité et aux codes et règlements locaux en vigueur.
- En raison de risques potentiels pour la sécurité dans certaines conditions, nous vous mettons fortement en garde contre l'utilisation d'un cordon prolongateur. Si toutefois vous devez utiliser un cordon prolongateur, celui-ci doit présenter les caractéristiques suivantes : type pour électroménagers à trois broches avec mise à la terre, fiche avec mise à la terre, homologation UL, valeurs nominales de 15 ampères (minimum) et 120 volts.
- Ce produit doit être installé correctement et placé conformément aux instructions d'installation avant son utilisation. Ce produit est destiné à un usage domestique à l'intérieur seulement. Ne l'utilisez pas à l'extérieur.
- Ne rangez ni n'utilisez des vapeurs ou des liquides inflammables à proximité de ce produit.
- Ne permettez pas aux enfants de grimper sur la machine à glaçons, ni de s'y tenir ou s'y agripper. Ils pourraient se blesser gravement.
- N'utilisez pas d'eau impropre à la consommation ou de qualité douteuse sur le plan microbiologique.
- Placez le cordon électrique de façon qu'il ne soit pas tiré par les enfants et qu'il ne pose pas un risque de trébuchement.
- Placez le cordon électrique de façon qu'il ne touche pas aux surfaces chaudes.
- Ne faites pas fonctionner l'appareil si un de ses composants, cordon et fiche inclus, est endommagé.
- Débranchez le produit avant de le nettoyer à la main ou lorsqu'il n'est pas utilisé.
- N'immergez aucune pièce de ce produit dans l'eau.
- Ne branchez ni ne débranchez le produit avec les mains mouillées.
- Ne tentez pas de démonter, réparer, modifier ou remplacer une pièce quelconque de ce produit.
- Utilisez ce produit uniquement aux fins auxquelles il est destiné qui sont décrites dans ce manuel d'utilisation.
- N'utilisez aucun accessoire qui n'est pas recommandé par le fabricant.
- Lors de la manipulation, de l'installation et de l'utilisation de l'appareil, veillez à ne pas endommager le tube de réfrigérant.
- L'entretien doit être effectué par du personnel de service autorisé par l'usine et les composants doivent être remplacés par des pièces de rechange autorisées par le fabricant.

⚠ ATTENTION

Pour réduire le risque de blessure lors de l'utilisation de votre Opal, observez les consignes de sécurité élémentaires suivantes.

- Ne retirez aucune étiquette apposée sur la machine à glaçons qui présente des renseignements sur la sécurité, les avertissements ou le produit.
- Risque associé à une charge lourde : Nous recommandons que deux personnes déplacent et installent la machine à glaçons afin de prévenir les blessures.

Élimination du réfrigérant et de la mousse

Jeter l'appareil conformément aux réglementations fédérales et locales. Le réfrigérant inflammable et les matériaux d'isolation utilisés nécessitent des procédures d'élimination spéciales. Contactez vos autorités locales pour l'élimination écologique de votre appareil.

MISE AU REBUT ADÉQUATE DE VOTRE ÉLECTROMÉNAGER

Veillez jeter ou recycler votre électroménager conformément aux règlements fédéraux ou locaux. Communiquez avec les instances locales pour en savoir plus sur la mise au rebut ou le recyclage de votre électroménager.

⚠ AVERTISSEMENT



RISQUE D'INCENDIE OU D'EXPLOSION Fluide frigorigène inflammable

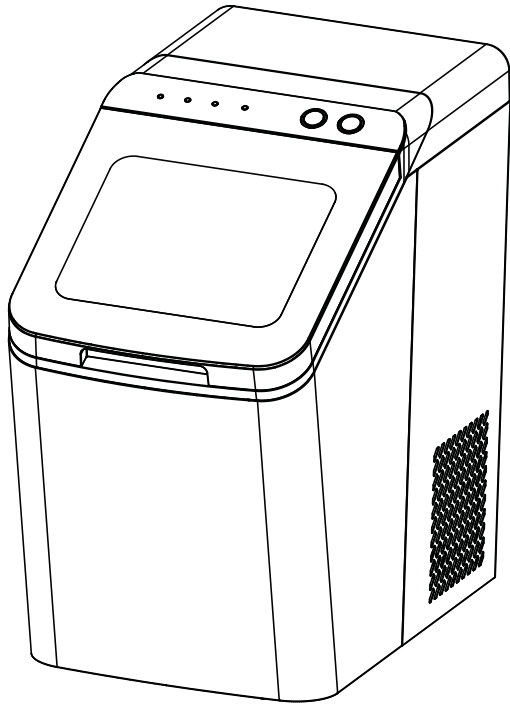
Cet électroménager contient le réfrigérant isobutane, aussi connu comme R600a, un gaz naturel à compatibilité élevée avec l'environnement. Il s'agit cependant d'un combustible. Observez les consignes de sécurité ci-dessous afin de réduire le risque de blessure ou de dommage à la propriété.

1. Lors de la manipulation, de l'installation et de l'utilisation de cet appareil, prenez soin de ne pas endommager les tubes de circulation du fluide frigorigène.
2. L'entretien ou la réparation doivent être effectués par un personnel de service autorisé. Utilisez seulement des pièces de rechange autorisées par le fabricant.
3. Mettez le réfrigérateur au rebut conformément aux réglementations fédérales et locales. Le fluide frigorigène inflammable et le matériel isolant utilisés nécessitent des procédures de mise au rebut spéciales. Communiquez avec les autorités locales compétentes pour la mise au rebut de votre réfrigérateur sans danger pour l'environnement.
4. N'obstruez pas les événements dans l'enceinte prévue pour l'appareil.
5. Pour retirer le givre, grattez à l'aide d'un grattoir ou d'une spatule en plastique ou en bois. N'utilisez pas un pic à glace ni un instrument métallique ou aux arêtes coupantes car il y a un risque de percer la doublure du congélateur et la tubulure du réfrigérant inflammable derrière elle.
6. N'utilisez pas d'appareils électriques dans le compartiment réfrigérateur de cet appareil.
7. N'utilisez aucun appareil électrique pour dégivrer votre congélateur.

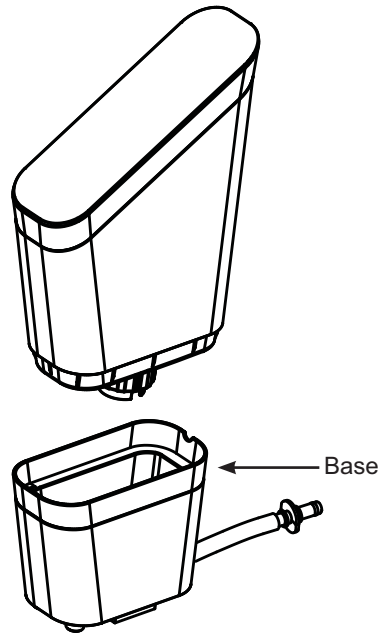
LISEZ, SUIVRE, ET CONSERVER CES INSTRUCTIONS

Parts Included

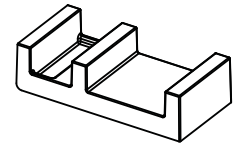
Ensure all components are present. If any item is missing, please contact 1.866.907.6718.



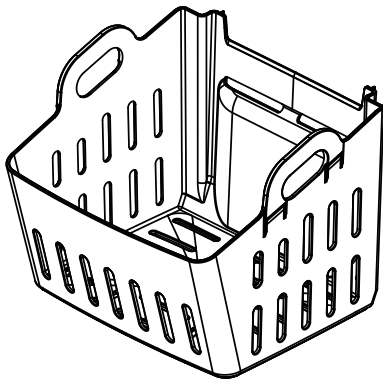
OPAL ICE MAKER



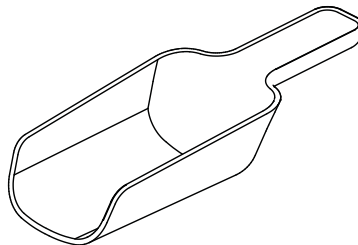
Side Tank



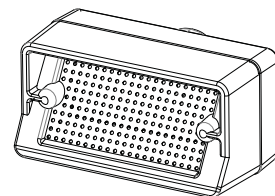
Side Tank Clip



ICE BIN



ICE SCOOP



Screen Filter Intake
(pre-assembled in ice
maker water reservoir)

Making Ice with Opal

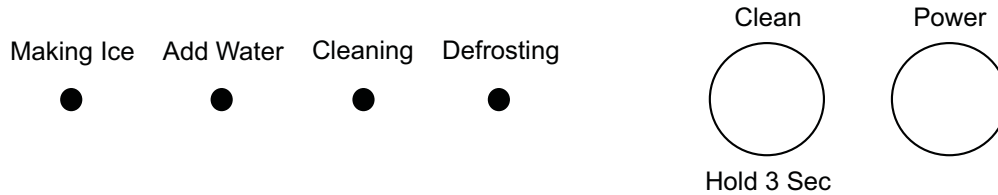
The ideal operating environment of the Opal Ice Maker is between 55°F - 90°F, and the ice maker should be installed with a 3 inch clearance on the back and sides of the unit. Follow directions on Page 8 to sanitize and rinse the ice maker with clean water prior to first use.

1. Open the lid to access the lower water reservoir.
2. Fill the reservoir with fresh, filtered, potable water up to the "Max Fill" line. Water hardness must be less than 205 mg/L. Do not fill the reservoir with any liquid except water. Using any liquid except potable water is misuse and will void your warranty.
If using tap water, the unit will need to be descaled more often (every 2-3 weeks) to maintain proper function.
3. Plug the ice maker into a grounded outlet.
4. Touch the Power button to start the ice maker. The indicator on the left-hand side will light up 'Making Ice' to confirm that unit has begun to make ice.
5. Opal will begin to produce ice within 10 minutes. It will continue to make ice until the bin is full, or it runs out of water. To continue making ice, remove ice from the ice bin or add more water.

▲ NOTICE

Some types of under-cabinet lamps can be hot enough to cause damage to your Opal top's appearance.

Understanding the Display



Power

The Power button, when pressed, will activate the machine controls, and begin the ice making process. When the machine is active and ON, the Power button, when pressed, will turn the ice maker off.

Cleaning

The cleaning cycle is initiated by pressing and holding the Clean button for 3 seconds. In order to exit the cleaning cycle, simply press and hold the Clean button again.

Cleaning Notification (Descale Alert)

After 100 hours of ice making, the Cleaning indicator will flash to alert the user that a **descale** cycle is needed. Flashing will stop once the cycle has been completed.

Defrosting

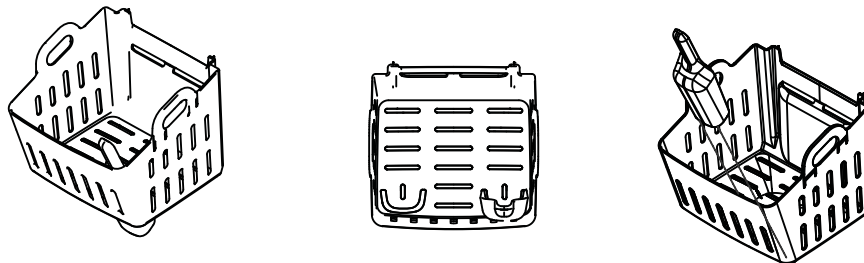
If the ice maker has detected a frozen auger and low ice production then the Defrosting indicator will light up. The unit will run a rinse cycle to defrost the ice maker and then start making ice again.

Indicator Lights

The four indicator lights on the left-hand side of the machine control show the current status of the Opal. If Add Water is highlighted, your unit needs more water before it can cycle to make ice or clean.

Ice Scoop Storage

Easily store the Opal ice scoop inside the ice bin by sliding the scoop into one of the fitted slots.



Care and Cleaning

To keep nugget ice tasting fresh and the ice maker performing properly, descaling and sanitizing is highly recommended.

Sanitizing is recommended once per week to keep the unit hygienic and disinfected.

Descaling is recommended for removing hard mineral deposits and should be performed every 2-3 weeks depending on water hardness.

If using tap water, the cleaning schedule may need to be adjusted based on hardness of water. Harder water may require more frequent descaling or switching to distilled water is suggested. To clean the exterior of the ice maker, unplug the product, then use a soft cloth dampened with soapy water to gently clean the exterior surfaces. Dry with a soft cloth. Do not use soap to clean the reservoir.

⚠ WARNING Chemical Exposure Hazard, when cleaning with bleach, use bleach in a well ventilated area and avoid mixing bleach with other household cleaners.

⚠ WARNING Unplug the product before cleaning by hand, and when not in use.

System Descaling / Sanitizing Procedure

First Time Use: Before first use of the Opal Ice Maker, it is recommended to start by sanitizing the machine.

Cleaning Notification: After 100 hours of ice making, the Cleaning indicator will flash to alert the user that a **descale** cycle is needed. Flashing will stop once the cycle has been completed but will not prevent the machine from making ice in the meantime. This alert is hard water dependent. Please reference the hard water map on Page 6 for guidance.

To descale or sanitize the Opal's internal components, complete the following steps:

1. Remove the ice bin before starting the cleaning process and then unplug the Opal.
2. Remove the Opal water filter (if present), and replace it with the reservoir's screened intake cap. If a filter is not present, first remove the screen intake filter and rinse it with water to clean out any debris that may have accumulated during ice making over time. Replace the screen intake filter so it is in place during the descaling or sanitizing process.
3. Drain the Opal by unhooking the top of the drain hoses at the back of the unit. See Figures 2 and 3. **NOTE:** If the side tank is present, remove the side tank from the side tank base and disconnect the side tank base before draining.
4. Next, lay the hoses down to drain into a sink or bucket that is below the level of the ice maker. See Figure 4.
5. Once water stops flowing, re-insert the drain plugs.

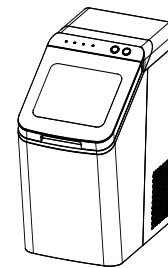


Figure 1

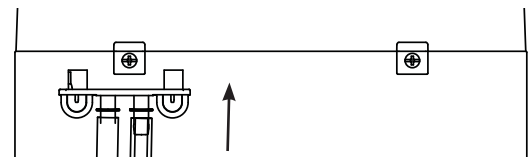


Figure 2

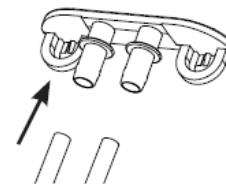


Figure 3

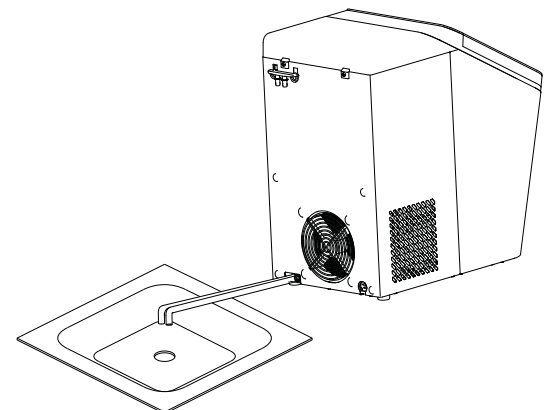


Figure 4

Care and Cleaning

System Descaling / Sanitizing Procedure (continued)

6. Descaling:

Fill the reservoir with white vinegar up to the Max Fill Line or use the Opal Cleaning Kit and follow the instructions provided.

Sanitizing:

Create a solution by filling the water to the Max Fill Line and then adding one teaspoon of bleach.

7. Plug in Opal and hold the Clean button for 3 seconds to initiate the cleaning process. See Figure 6.

NOTE: Water will begin circulating and the Cleaning indicator will light up on the left-hand side of the unit to confirm the unit is now in the cleaning process. After three minutes, the water will stop, the Cleaning indicator light will turn off, and the Clean button will begin to pulse. If the ice maker is not interacted with for 5 minutes, the pulsing will stop, the machine will exit Cleaning mode and enter an idle state.

8. **Descaling:** run the clean cycle up to 3 times, with the descaling solution, and then let the unit sit for 18 hours and soak. While the unit is soaking, dip a cloth in the solution and wipe the inner walls. Use a cotton swab to clean any cracks. When you are done, rinse the cloth with clean water and wipe Opal again to remove any cleaning solution. Repeat the process for very heavy scale deposits.

Sanitizing: Once the Cleaning indicator turns off, promptly drain the Opal.

9. Rinse by adding fresh water to the water reservoir and pressing the Clean button to initiate a second cleaning cycle. Once the cleaning cycle has completed, drain the unit of all water.

10. Repeat step 9 two more times, adding fresh water to the reservoir each time (you may continue to repeat the rinse cycle, for as many times as you like). To exit cleaning mode at any time, press and hold the 'Clean' button for three seconds.

11. Replace and reconnect the drain tubes to the back of the Opal.

12. When complete, fill the reservoir with fresh water and press the 'Power' button to start making ice. See Figure 8.

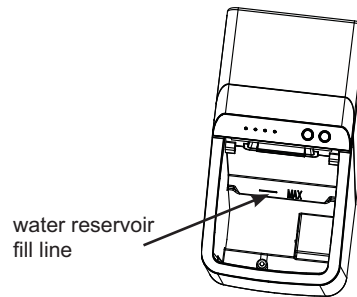


Figure 5

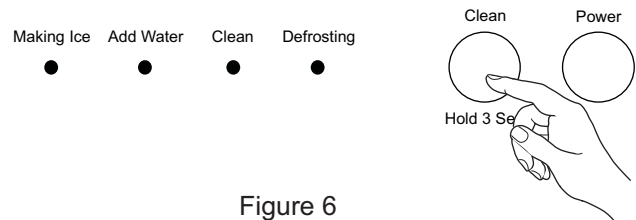


Figure 6

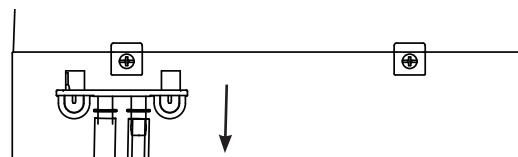


Figure 7

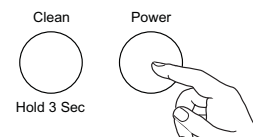


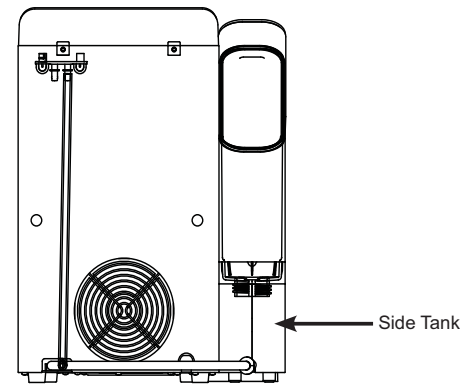
Figure 8

Side Tank Accessory Setup

1. Rinse and hand wash the Opal Side Tank with warm water and a mild dish soap. Rinse the cap, rubber valve, tank and the base well to remove any residual soap.

DO NOT WASH THE SIDE TANK IN THE DISHWASHER.

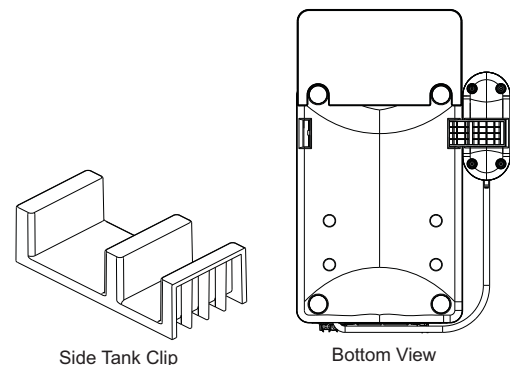
2. Unplug the Opal Nugget Ice Maker. Unhook Opal's drain tubes and drain the water from the reservoir.
3. Place Opal Side Tank on the right or left-hand side of the Opal Nugget Ice Maker. Using the side tank clip, slide the shorter side of the clip under the unit, near the front of the unit. The side tank clip will slide into a slot on the bottom of the unit. Once this is placed, the side tank base can slide onto the opposite side of the clip. See figures to the right for reference.



4. Connect the drain tube, labeled Side Tank, to the back of Opal Side Tank's base. There is a short tube attached to the side tank base, with a barb fitting. Connect this barb fitting with the drain tube labeled Side Tank.

NOTE: Make sure the drain tube is laying flat on the counter-top for adequate water flow.

5. Install the remaining drain tube and hanger onto the back of the Opal for storage, making sure the drain tube connecting to the Side Tank is resting flat on the counter-top.

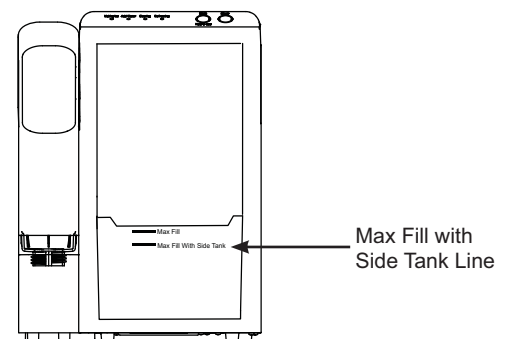
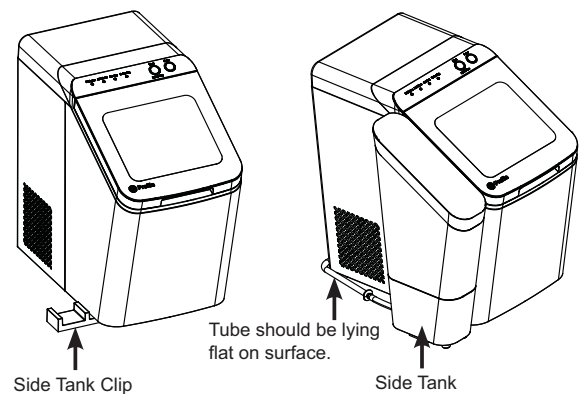


6. Lift the side tank reservoir from the base, unscrew the cap and fill side tank with water. Replace cap after side tank reservoir is full.
7. Carefully flip over Opal Side Tank's reservoir and place in the base. Water should start flowing into the Opal Nugget Ice Maker and bubbles in the Opal Side Tank will appear periodically during the time water is flowing to the ice maker.

8. Fill the Opal Nugget Ice Maker's lower water reservoir to the Max Fill with Side Tank line, if desired. Do not fill to the Max Fill line, otherwise there is risk of overflowing the side tank base. The water will flow from side tank but will have a slow start as it needs time to fill up the water reservoir before ice making can begin.

9. Plug in the Opal Nugget Ice Maker, and begin making ice.

NOTE: If the water does not appear to flow into the ice maker, there may be bubbles in the side tank tube or the side tank tube is not lying flat. If either of these mentioned issues are present, adjust side tank tube to allow the water to flow.



Normal Operating Sounds

Your new ice maker may make sounds that are not familiar. Most of these sounds are normal. Hard surfaces like the floor, walls, and countertops can amplify these sounds. The following describes the sounds that may be new to you and what may be creating them.

Operating Noise	Reason Consumer is Experiencing Operation Noise
Whir	When Opal is first turned on, you may notice the condenser fan spinning.
Buzz	When the water pump first turns on, it may be dry and slightly noisy. Once it is filled with water, the noise reduces significantly.
Rattle	"Rattling noises may be produced from the flow of the refrigerant. These noises should reduce significantly once the refrigerant system has stabilized."
Gurgle	When the refrigerant system shuts off, there may be a brief gurgle as the refrigerant stops flowing.
Hum	The compressor is a motor. It produces a low toned humming sound while it is running.
Click	As nugget ice is produced, it drops into the ice bin. The first nuggets produced are the loudest, as they impact the bottom of the ice bin. As the bin fills, this noise reduces significantly.
Squeak	When Opal is in need of defrosting, it may start to squeak as ice starts to build up around the mechanisms. The defrost cycle is automatic, and may take 10-20 minutes. During this time, the front button won't respond. More frequent squeaking usually requires white vinegar cleaning to remove internal mineral scale buildup.

Troubleshooting

Problem	Solution
Ice seems slushy and not freshly made	The ice maker is set up to save energy and wear and tear on components when not in use. If you do not interact with machine by opening/closing the lid for 8 hours, the machine will not run. After 8 hours the machine will start back up and produce ice again until it reaches the Ice Bin Full state.
Unit is showing Add Water status but there is plenty of water	Follow the descaling instructions starting on page 8. Soak the unit for 18 hours and then run a full rinse cycle.
Unit Keeps going into Defrost	If the ice maker is going into Defrost mode and there are no audible sounds indicating that the auger is frozen, it's highly likely that the air vents are blocked. Make sure that there is a minimum 3 inches clearance on the back and sides of the unit to ensure proper airflow. If airflow is constricted, the machine will not produce ice normally.
Ice production is Low	Make sure that there is a minimum 3 inches clearance on the back and sides of the unit to ensure proper airflow. If airflow is constricted, the machine will not produce ice normally. If vents are not obstructed, follow the descaling instructions on Page 8. Soak unit for 18 hours and run through full rinse cycle.

GE Appliances Ice Maker Limited Warranty

GEAppliances.com

Please have your serial number and your model number available when calling for service. Call 1.866.907.6718 for service questions.

For the Period of:	GE Appliances Covers
One Year From the date of the original purchase	If the ice machine fails due to a defect in materials or workmanship, during the limited one-year warranty , GE Appliances will either repair the product, replace it with a new or manufactured product, or refund the purchase price of the product at GE Appliances' sole discretion.

What GE Appliances Will Not Cover:

- Service trips to your home.
- Improper installation, delivery or maintenance.
- Failure of the product if it is abused, misused, or used for other than the intended purpose or used commercially.
- Replacement of house fuses or resetting of circuit breakers.
- Damage caused after delivery.
- Replacement of the light bulbs, if included.
- Damage to the product caused by accident, fire, floods or acts of God.
- Incidental or consequential damage caused by possible defects with this appliance.
- Software bugs that can be corrected with an update via the SmartHQ App
- Labor and other charges to install and/or remove the product

EXCLUSION OF IMPLIED WARRANTIES

Your sole and exclusive remedies are product exchange or refund as provided in this Limited Warranty. Any implied warranties, including the implied warranties of merchantability or fitness for a particular purpose, are limited to one year or the shortest period allowed by law.

For sale in the 50 United States and the District of Columbia only: For US Customers: This limited warranty is extended to the original purchaser for products purchased for home use within the USA. In Alaska and Hawaii, the limited warranty does not include the costs of shipping units. Some states do not allow the exclusion or limitation of incidental or consequential damages. This warranty gives you specific legal rights, and you may also have other rights which vary from state to state. To know what your legal rights are, consult your local or state consumer affairs office or your state's Attorney General.

Warrantor: GE Appliances, a Haier company
Louisville, KY 40225

Staple your receipt here. Proof of the original purchase date is needed to obtain service under the warranty.

Consumer Support

Service and Registration

Register your new appliance on-line at your convenience! Timely product registration will allow for enhanced communication and prompt service under the terms of your warranty, should the need arise.

Register your appliance at **GEAppliances.com/register**.

Contact Us

If you are not satisfied with the service you receive from GE Appliances, contact us on our Website with all the details including your phone number, or write to:

In the US: General Manager, Customer Relations | GE Appliances, Appliance Park | Louisville, KY 40225
GEAppliances.com/contact