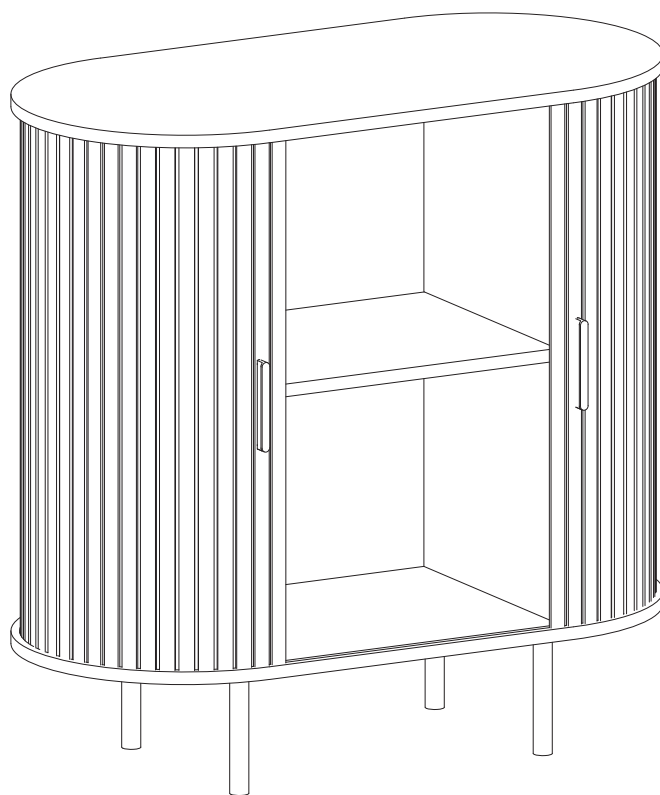


# Sideboard



# NOTICE

---

**EN**

**Please keep these instructions for future reference.**

**Dear Customer**

● Thank you for your purchase. When you receive the product, please make sure that all the parts are intact. If any parts are missing, please contact us promptly to request replacement parts.

● Then follow the entire installation instructions to install.

● Each part is crucial, so please be careful not to lose any. It is recommended to store parts with different lettered identifiers in separate boxes or bags to avoid confusion during installation.

**A . The outer box is damaged**

**B . The product is damaged / bent / cracked while you open the box**

**C . The parts / accessories / assembly tools are missing**

**D . The instructions are not clear and can not be referred**

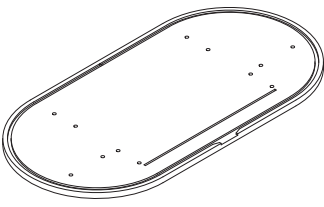
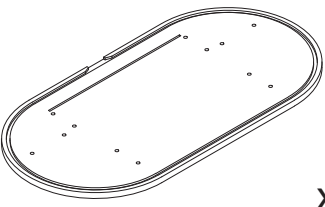
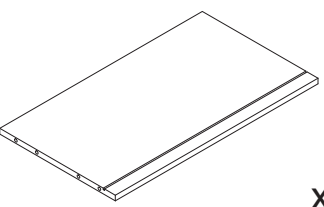
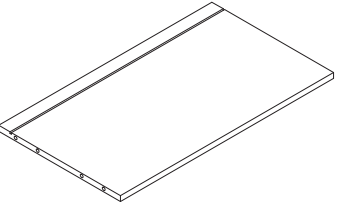
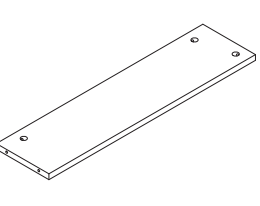
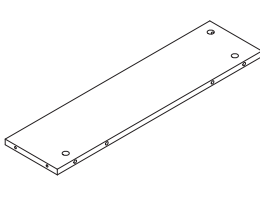
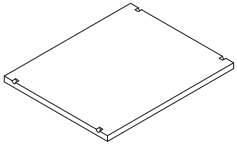
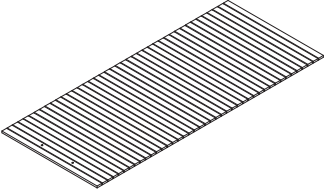
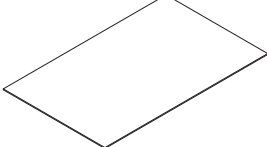
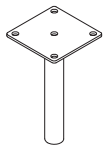
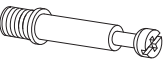
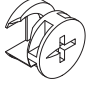

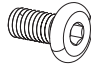

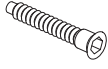
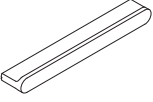
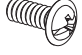

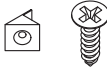

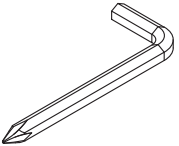
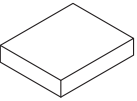
**E . The product has functional problems**

**F . Other aspects that you are not satisfied with**

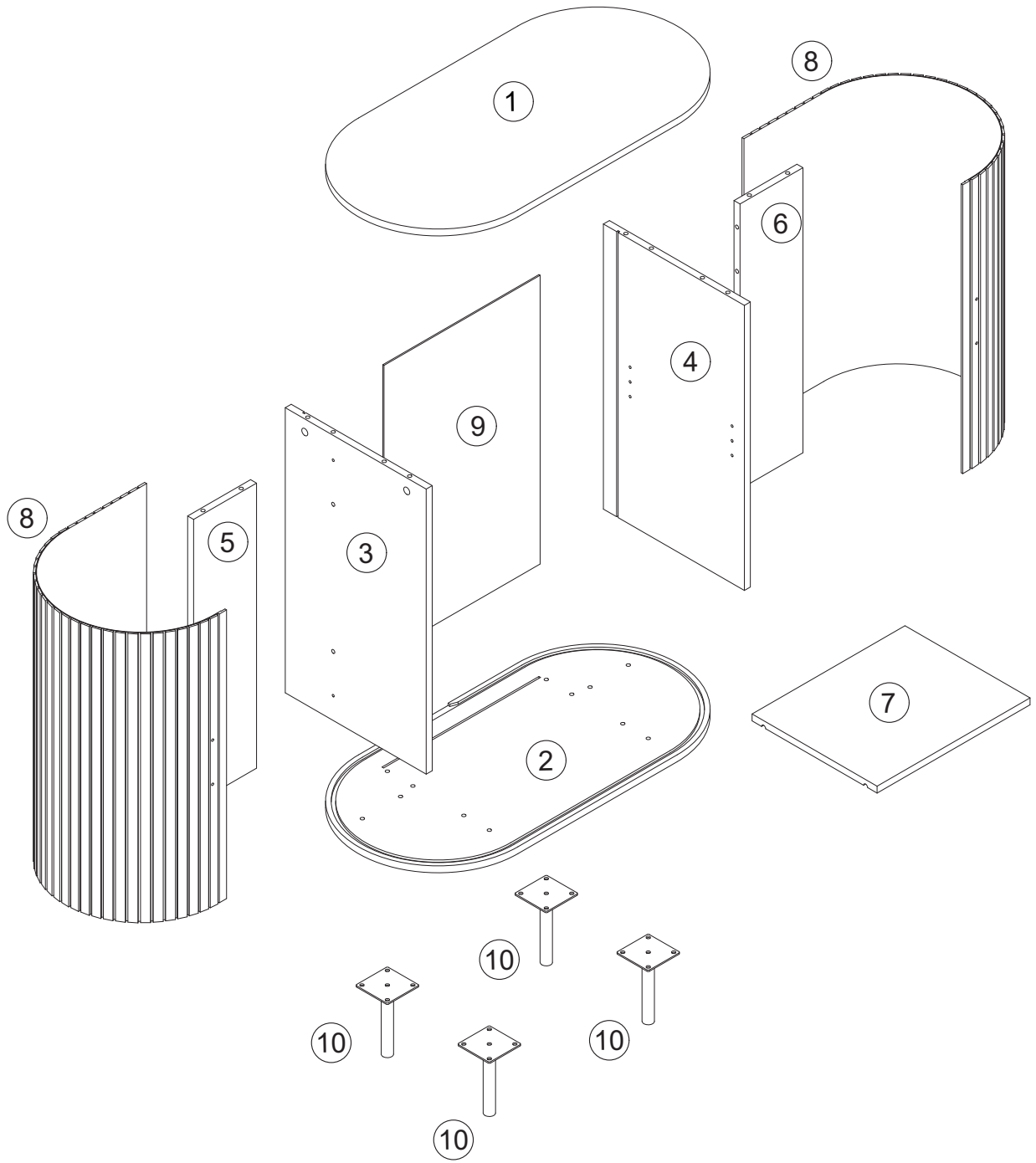
**Please feel free to contact us for help, and provide the following information:**

**Platform/Shop name/Order id/Buyer's name/Receiver's address/Problem description/Problem pictures**

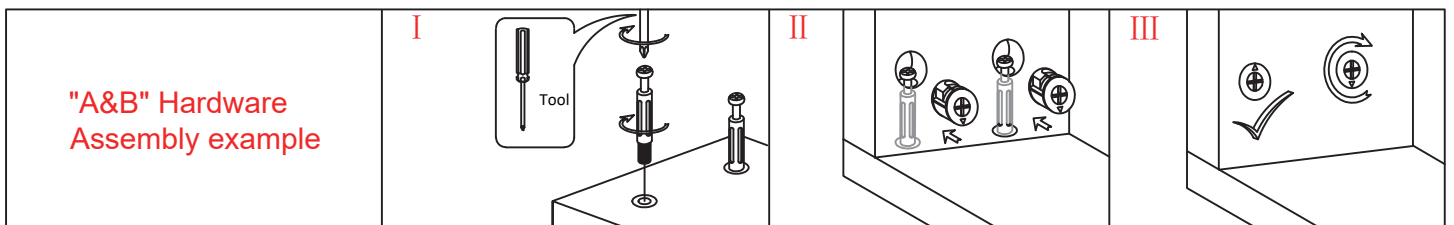
# PART LIST

<p>①</p>  <p>x 1</p>	<p>②</p>  <p>x 1</p>	<p>③</p>  <p>x 1</p>
<p>④</p>  <p>x 1</p>	<p>⑤</p>  <p>x 1</p>	<p>⑥</p>  <p>x 1</p>
<p>⑦</p>  <p>x 1</p>	<p>⑧</p>  <p>x 2</p>	<p>⑨</p>  <p>x 1</p>
<p>⑩</p>  <p>x 4</p>	<p>A</p>  <p>Ø6*35mm x 10+1</p>	<p>B</p>  <p>Ø15*12mm x 10+1</p>
<p>C</p>  <p>Ø8*30mm x 16+2</p>	<p>D</p>  <p>M6x12mm x 16+2</p>	<p>E</p>  <p>Ø5*13.5mm x 4</p>
<p>F</p>  <p>Ø7*38mm x 7</p>	<p>G</p>  <p>x 2</p>	<p>H</p>  <p>M4x8mm x 4</p>
<p>I</p>  <p>x 4</p>	<p>J</p>  <p>x 8+1</p>	<p>K</p>  <p>x 2</p>
<p>L</p>  <p>x 1</p>	<p>M</p>  <p>x 1</p>	<p>N</p>

# EXPLODED VIEW



Note: Don't tighten all screws during installation.

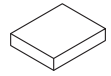


"A&B" Hardware  
Assembly example

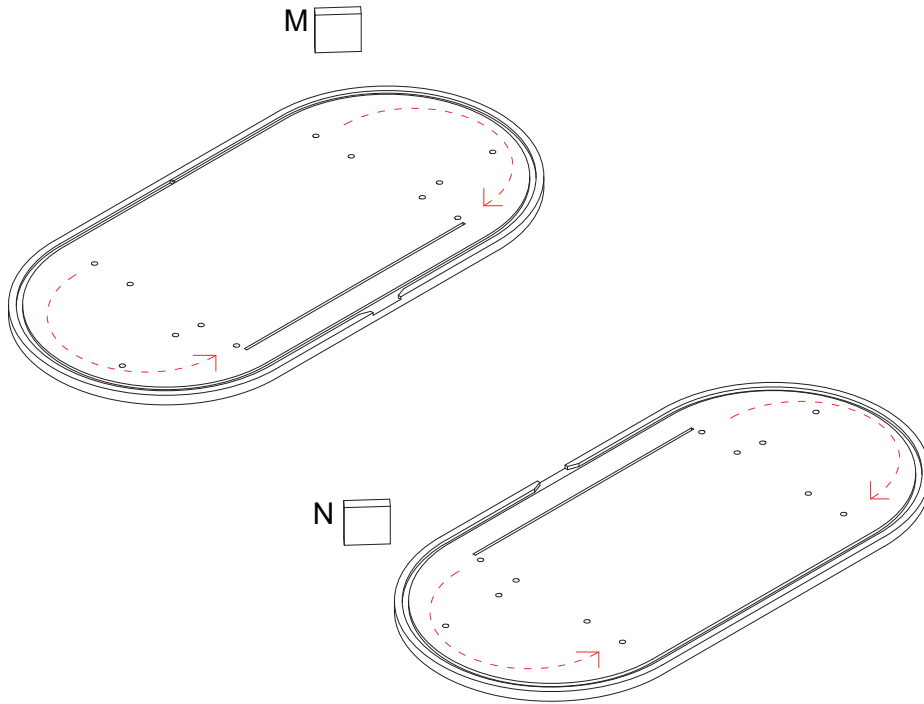
# STEP

## 01

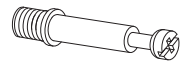
lubricate the sliding groove with wax block



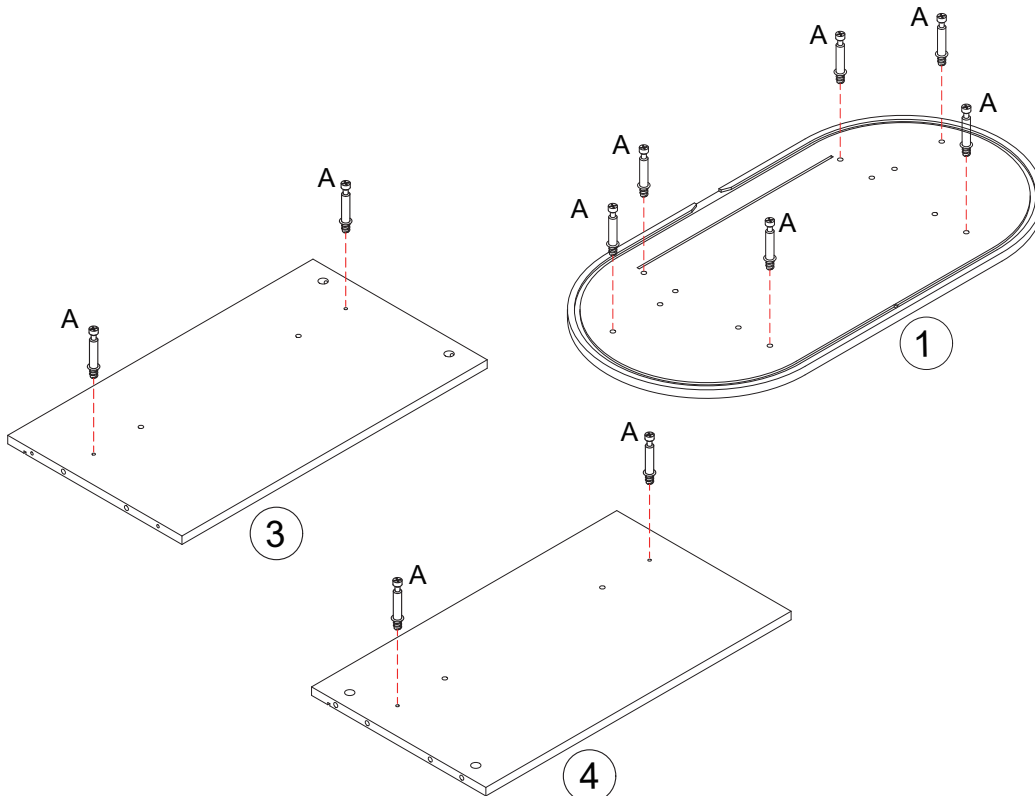
M		1pc
---	--	-----



## 02

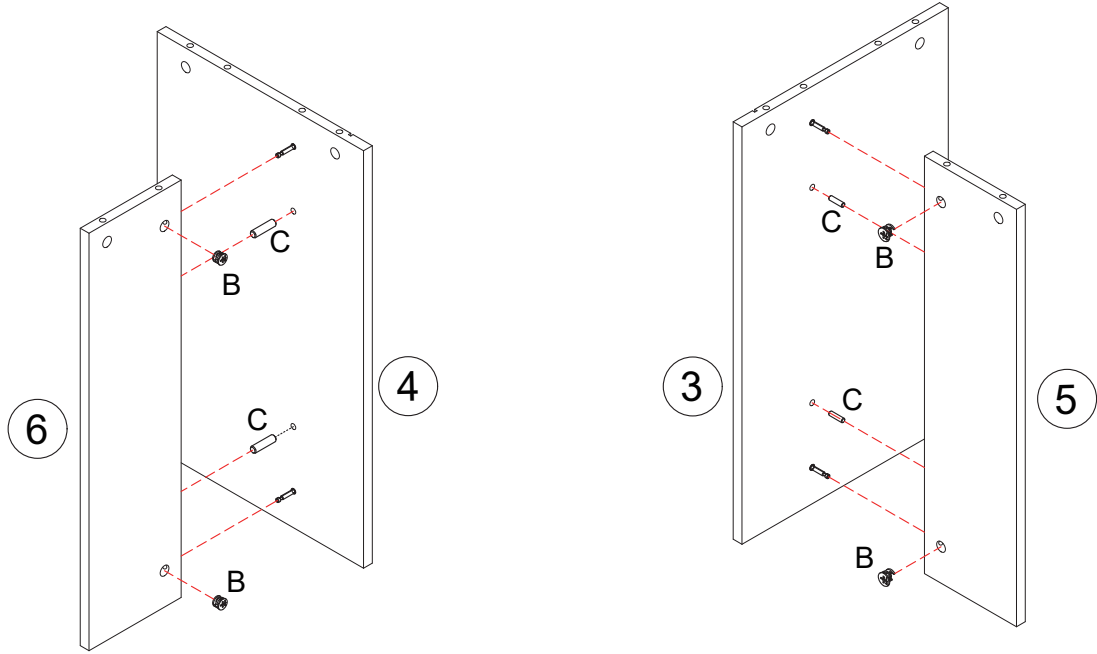


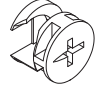

A	Ø6x35	10pcs
---	-------	-------



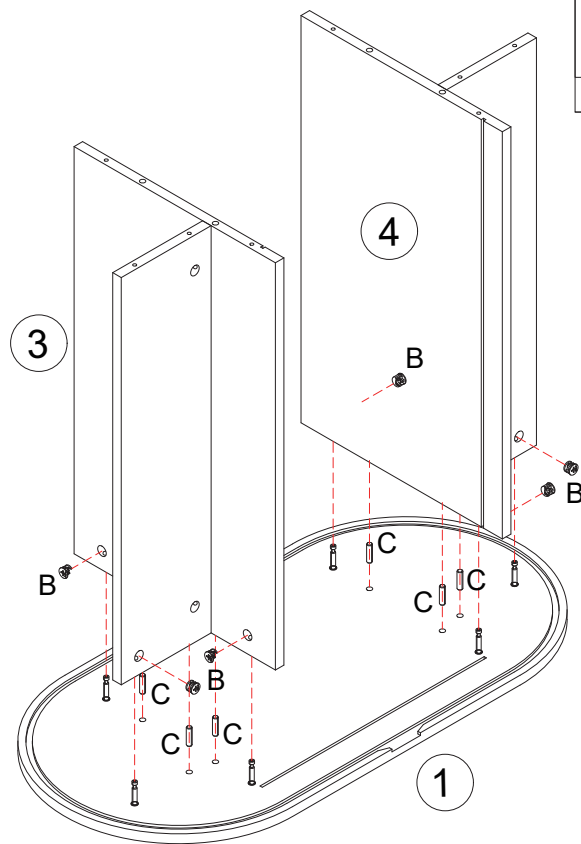
# STEP



## 03



					
B	Ø15x12	4pcs	C	Ø8x30	4pcs

## 04

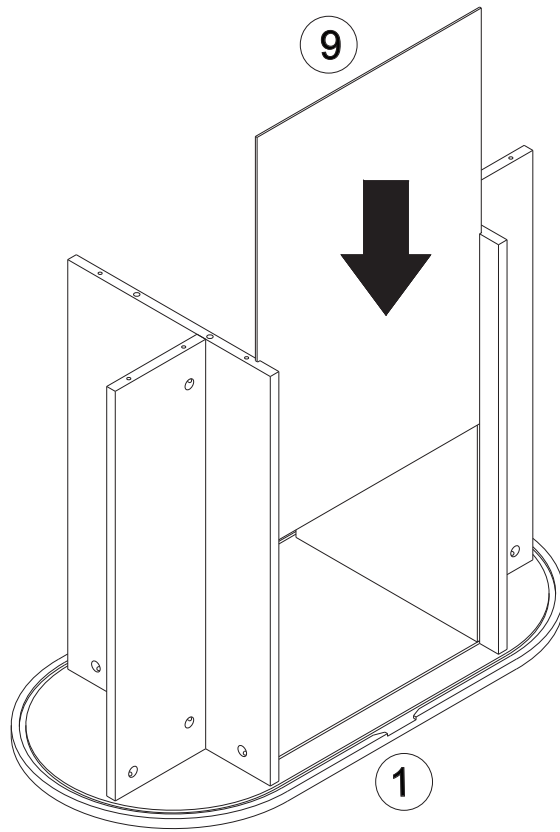


					
B	Ø15x12	6pcs	C	Ø8x30	6pcs

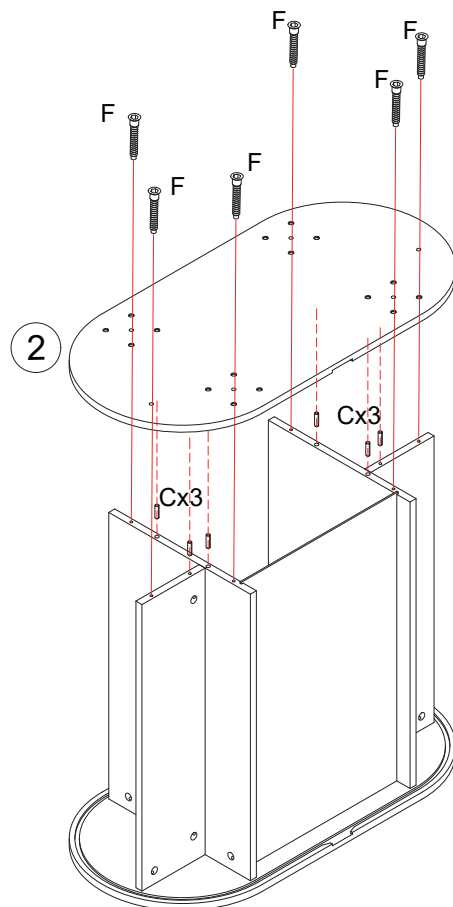
## 05



# STEP

05



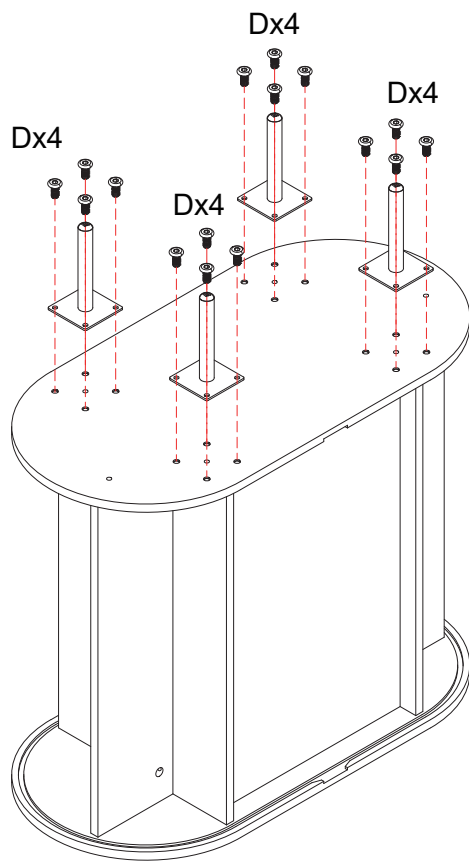
06

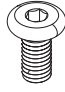



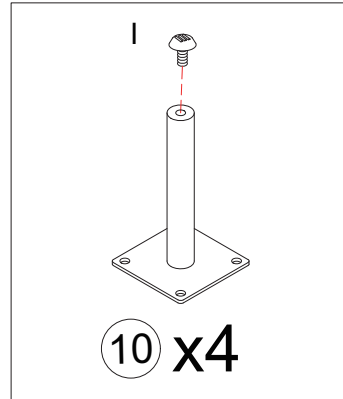
					
F	Ø7x38	6pcs	C	Ø8x30	6pcs

# STEP

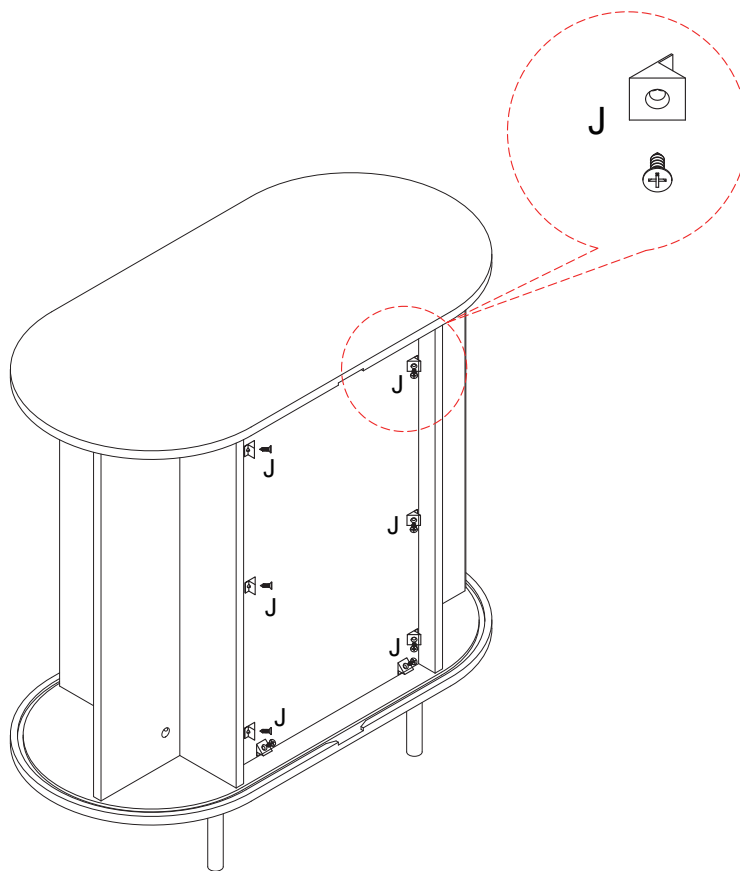
## 07





					
D	M6x12	16pcs	I		4pcs





## 08

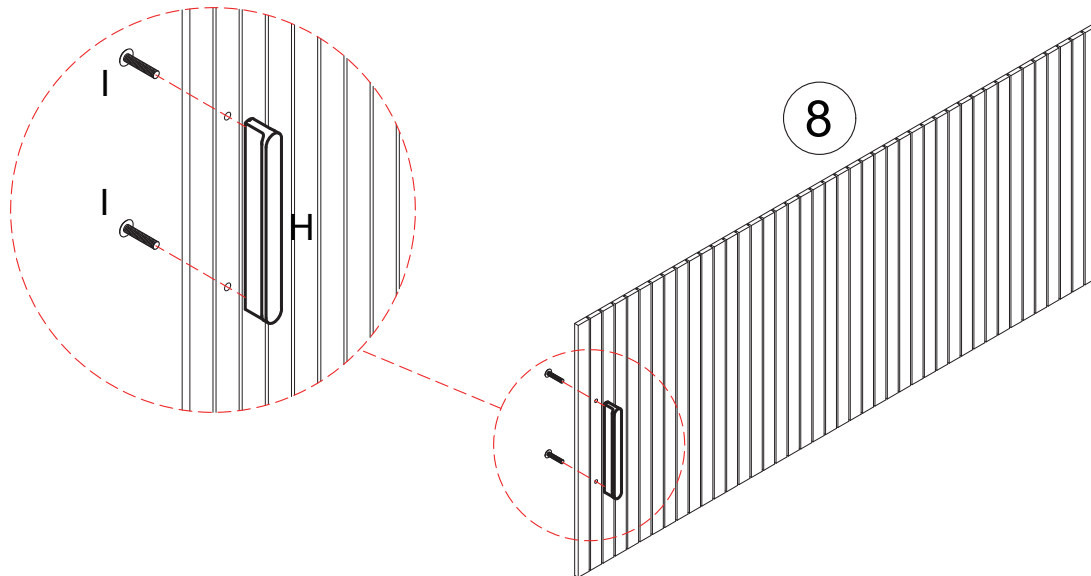


		
J	/	8pcs

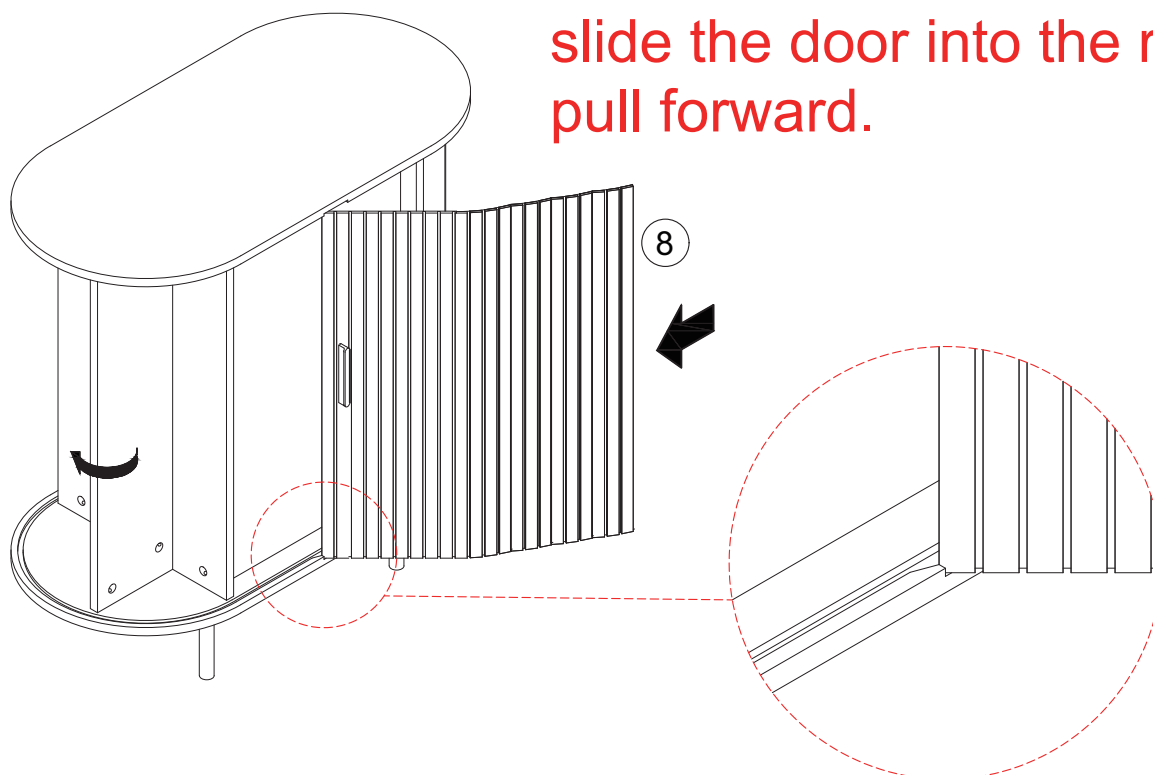
# STEP

09

		
G	2pcs	H M4x8 4pcs



10

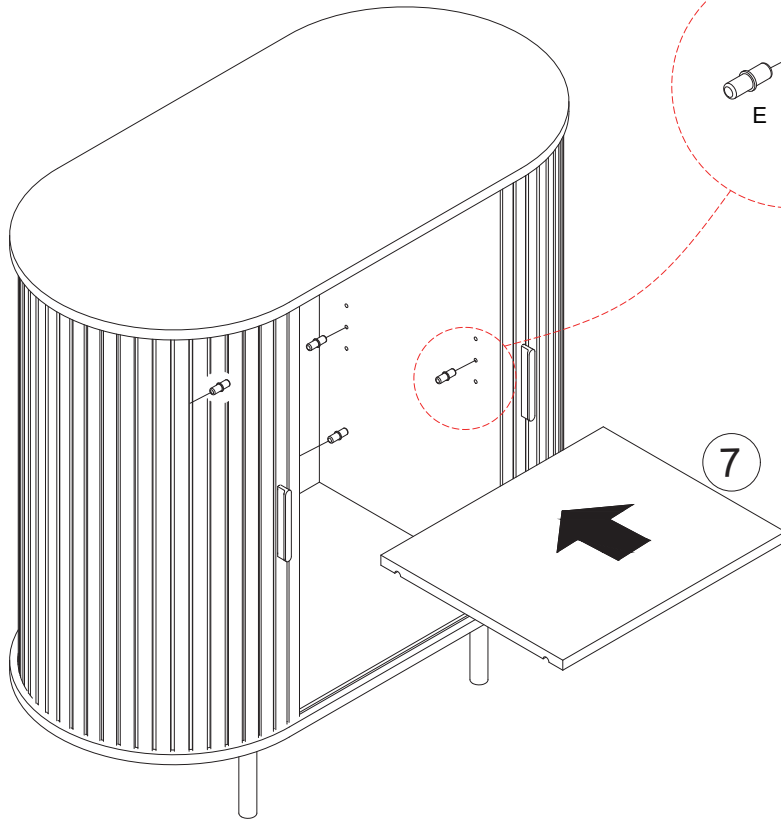


slide the door into the rail.  
pull forward.

The other piece is in the opposite direction.

# STEP

11

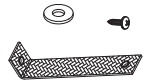
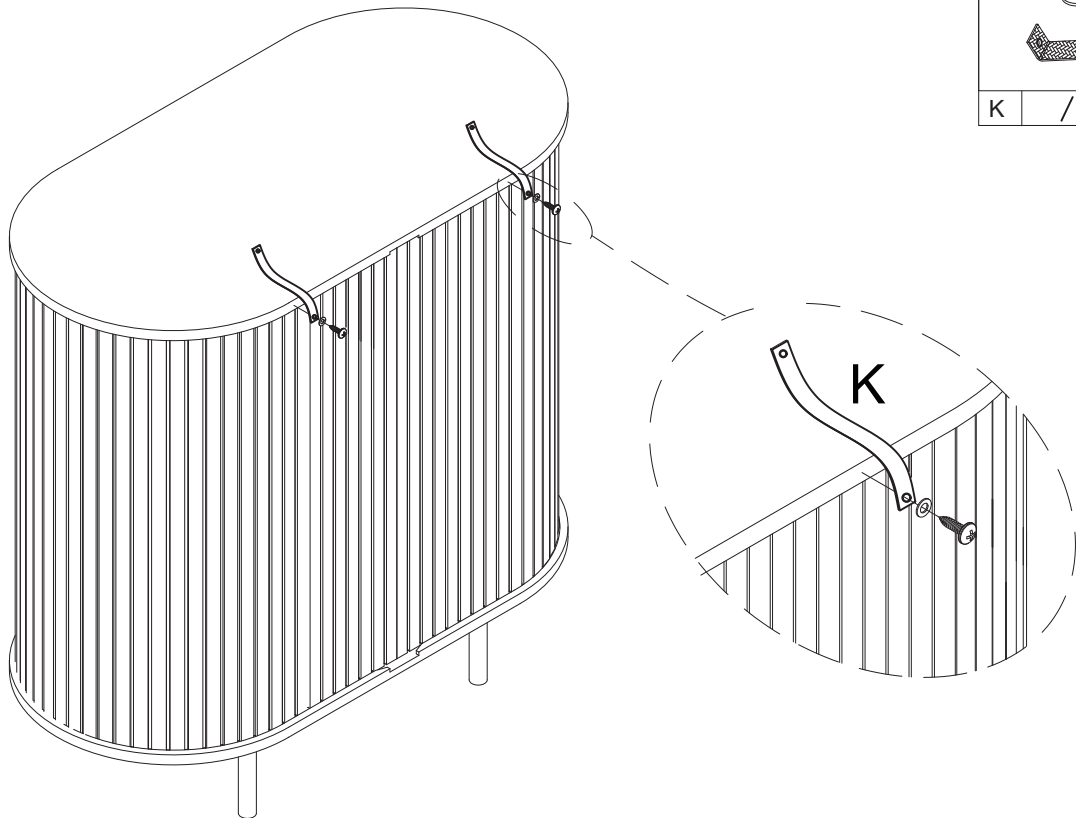


E	Ø5x13.5	4pcs
---	---------	------

E

7

12



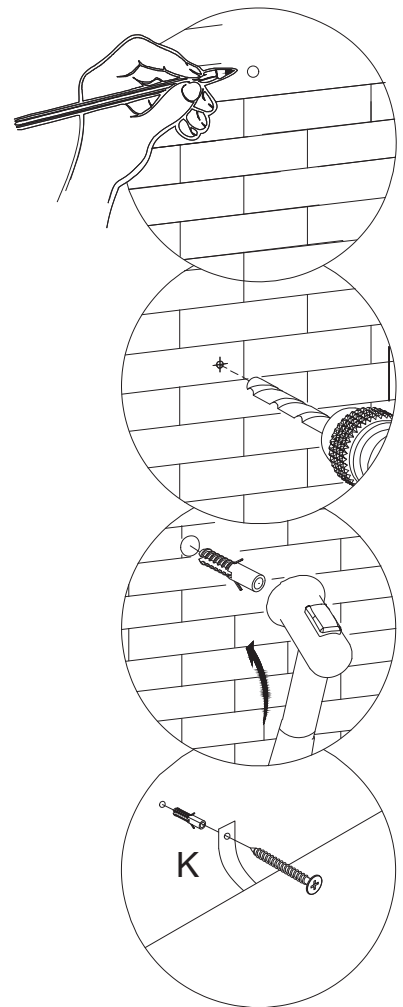
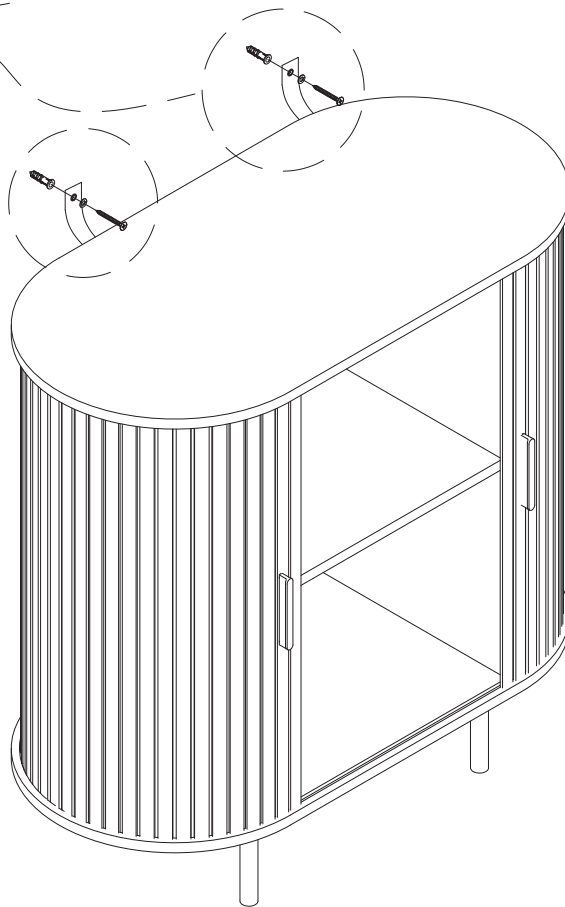
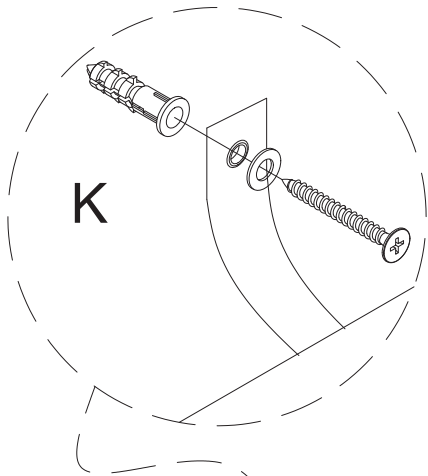
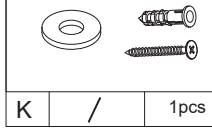
K	/	1pcs
---	---	------

K

Install components according to their actual dimensions.

# STEP

13



EN

# AFTER-SALE SERVICE

If you have any suggestions for our products or notice any quality issues, please contact us first. Our after-sales team will respond within 24 hours and will do everything possible to provide you with a satisfactory solution.

## Guaranteed Customer Service

Your shopping experience is very important to us!

Feel unsatisfied? **Contact us!**

Have any questions? **Contact us!**

Wanna Share how wonderful our smart products make your home?

Share your pictures with us.

Any suggestions? **Contact us!**

We will check and give feedback.