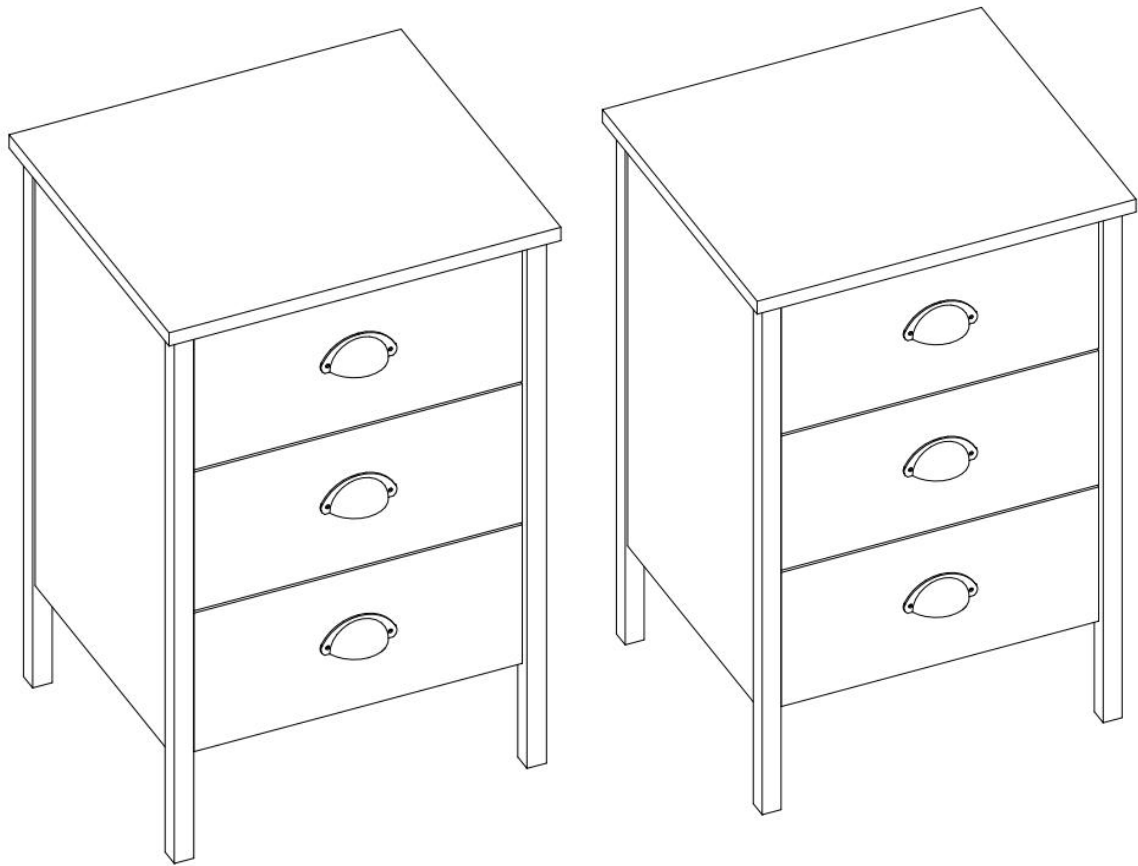


3 Drawer Bedside Table*2

Assembly Instructions



PLEASE READ this instructions carefully before assembly the product.

Please!open!the!outer!case!carefully!and!confirm!according!to!the!instruction!that!all!parts!and!hardware!are!complete!before!assembly.

If!there!is!a!shortage!of!parts!or!hardware!or!any!questions,!do!not!directly!return!or!give!a!negative!feedback,!please!contact!us.
Our!professional!after-sales!service!staff!will!give!you!a!satisfactory!answer!within!24!hours.

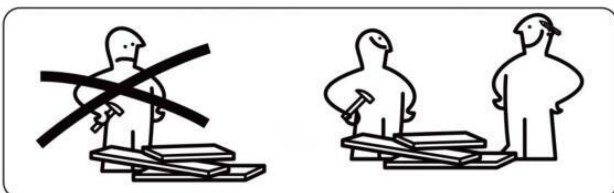
Return:

Please!keep!your!original!packages, due!to!the!health!and!safety!reasons, we!can!not!accept!returns!without!original!packages.

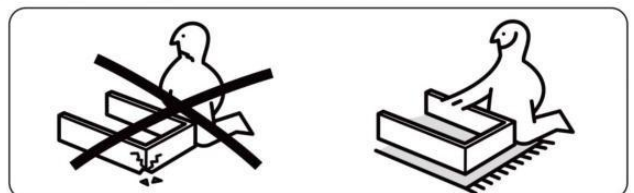
Comments and Suggestions:

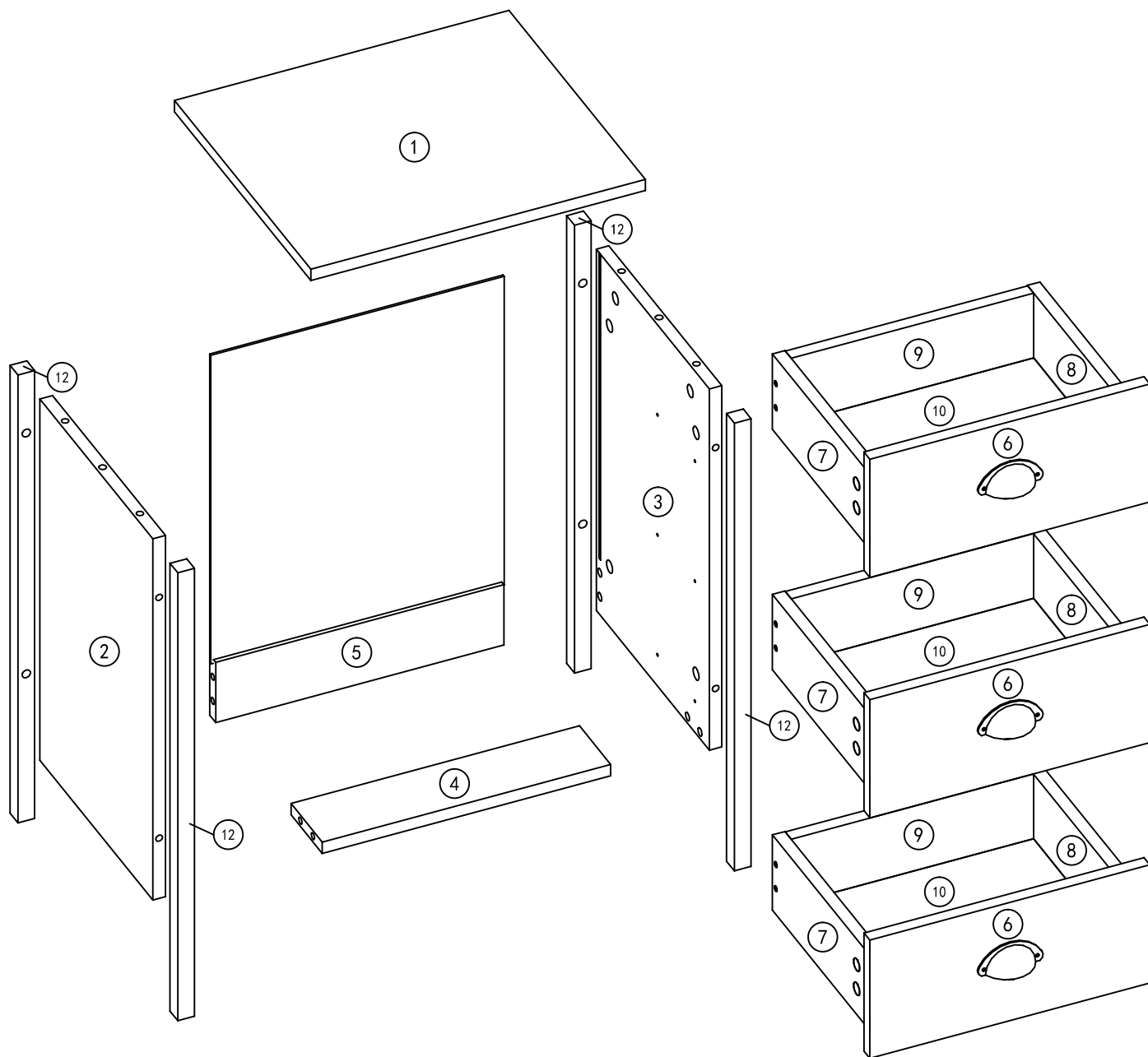
Please!give!us!your!advice!about!this!purchase!

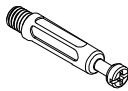

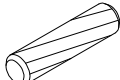
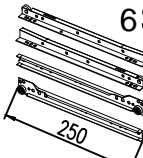

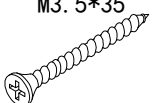

Need Two Or More People To Complete



Assemble Item On a Clean Flat Surface

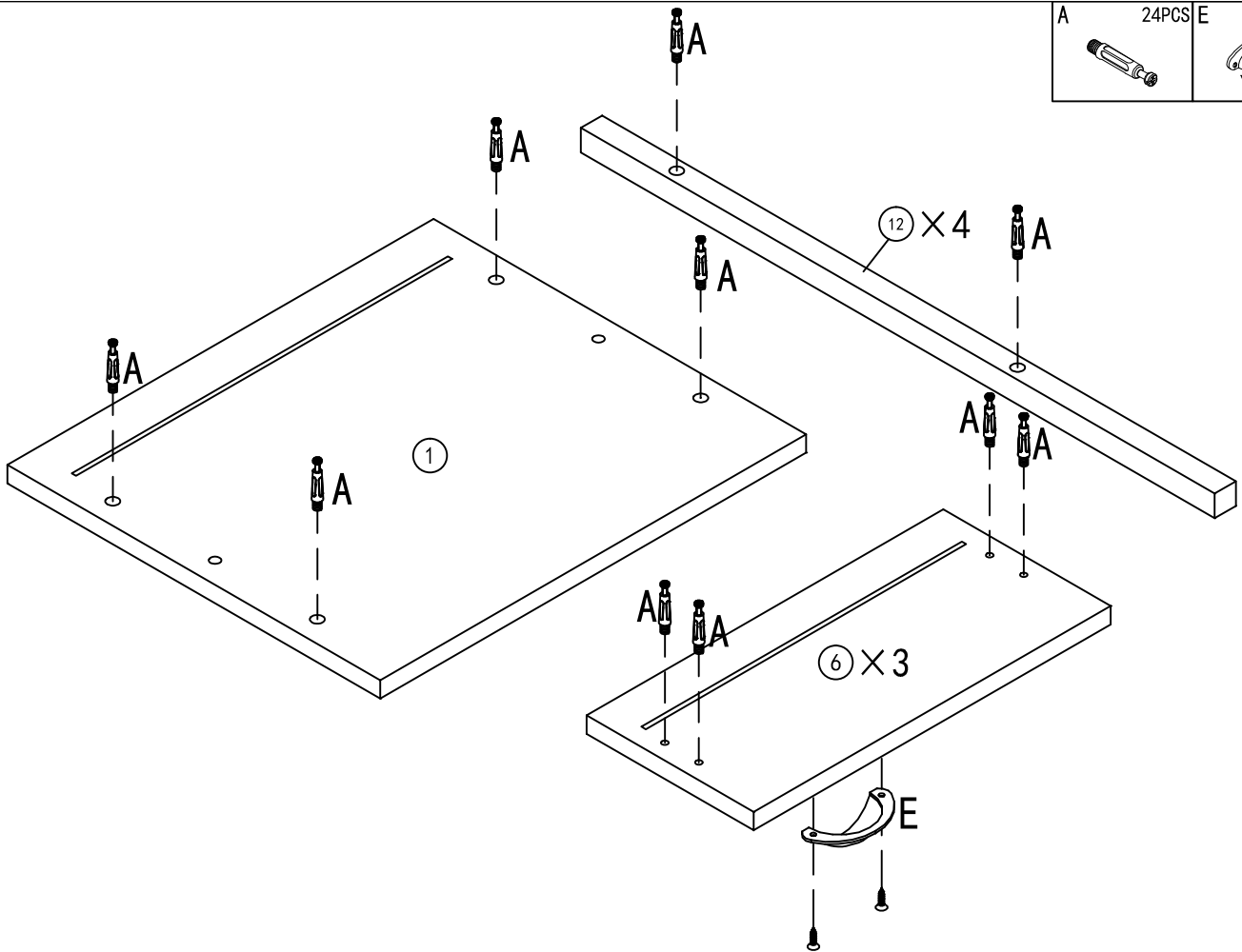




A  64 PCS	B  64 PCS	C  4 PCS	D  6 SET DR DL CR CL 250
E  6 PCS	F  24 PCS M3. 5*35	G  48 PCS M3. 5*14	

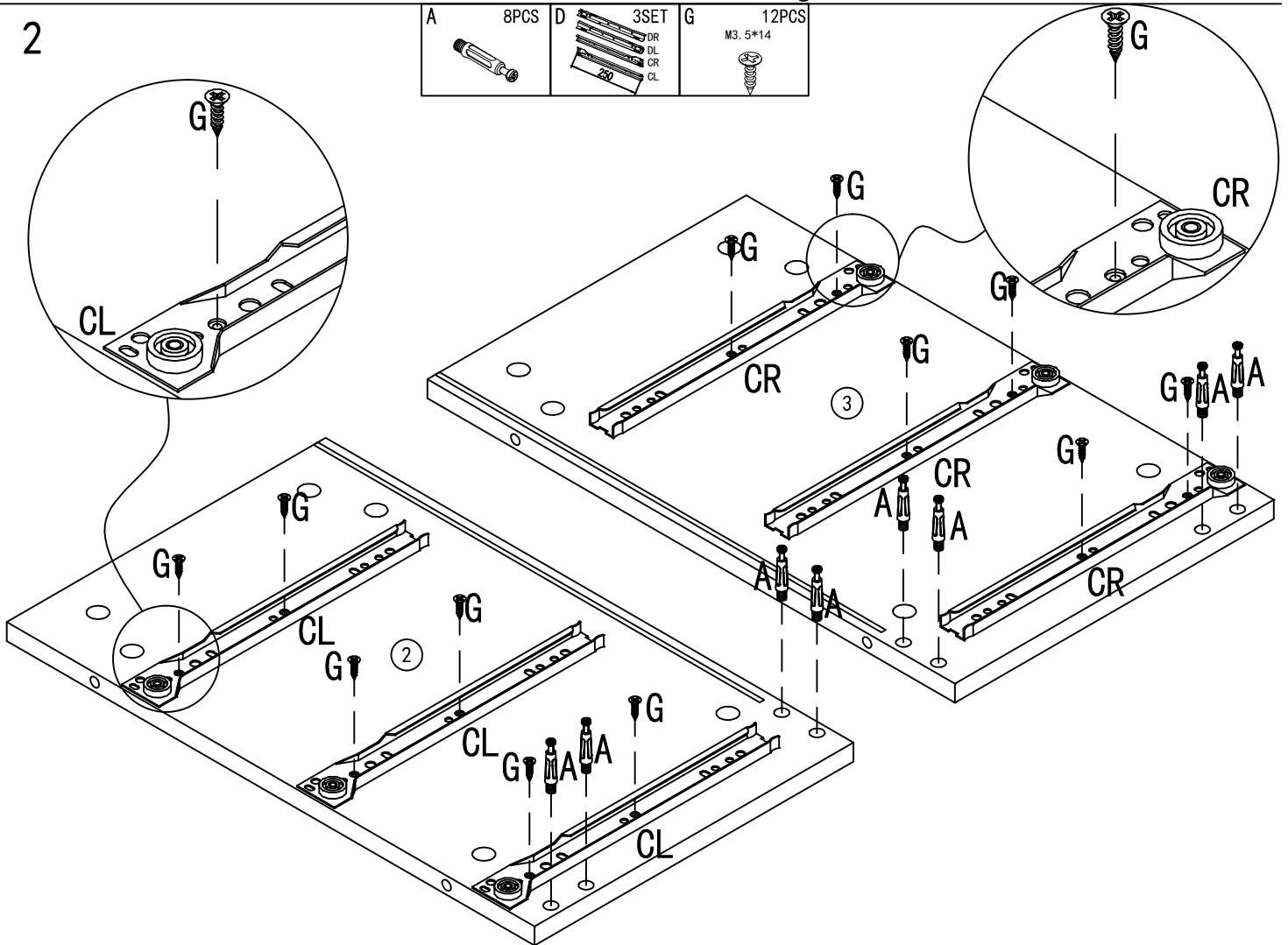
1

A	24PCS	E	3PCS
---	-------	---	------




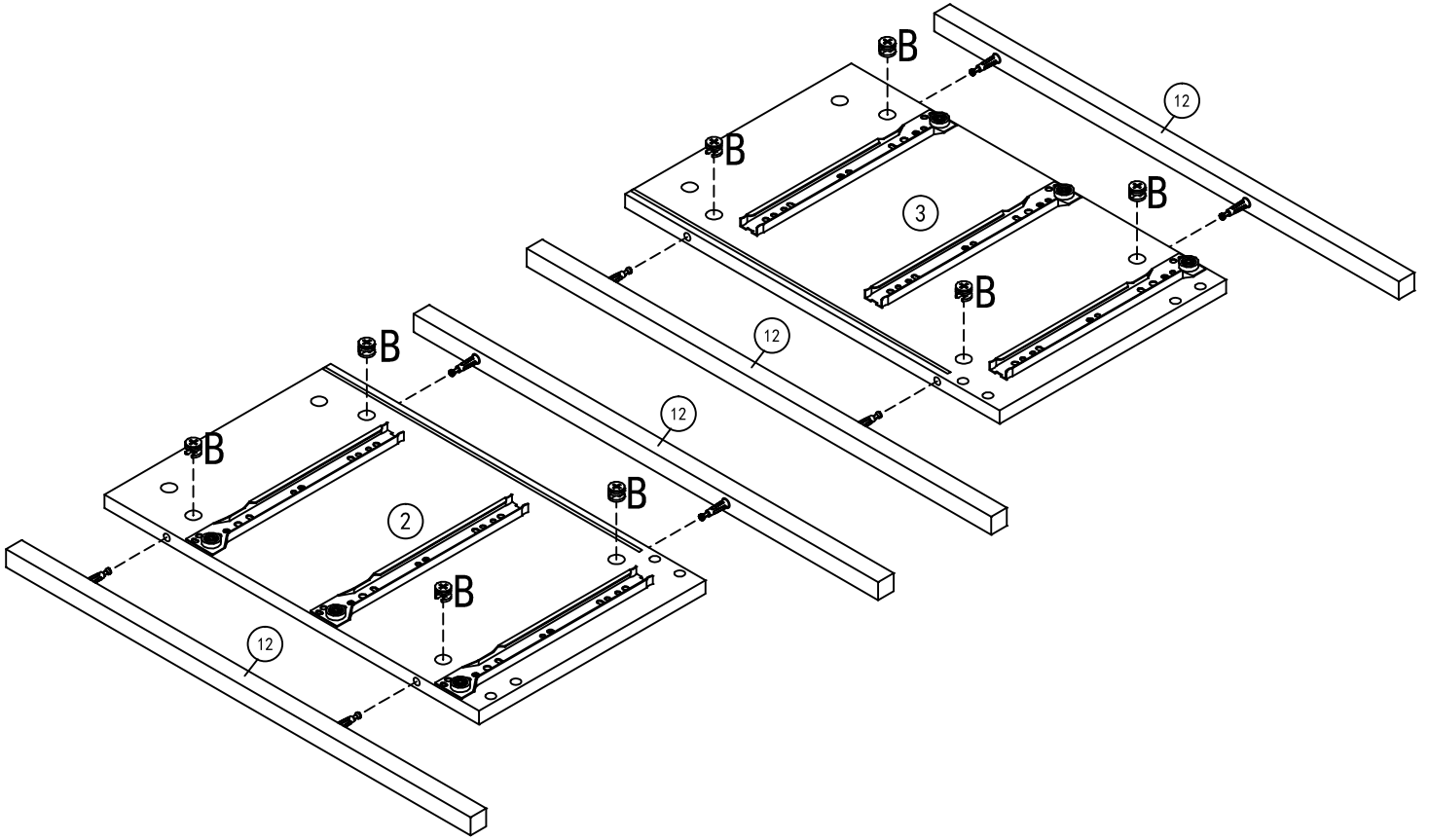
2

A	8PCS	D	3SET	G	12PCS




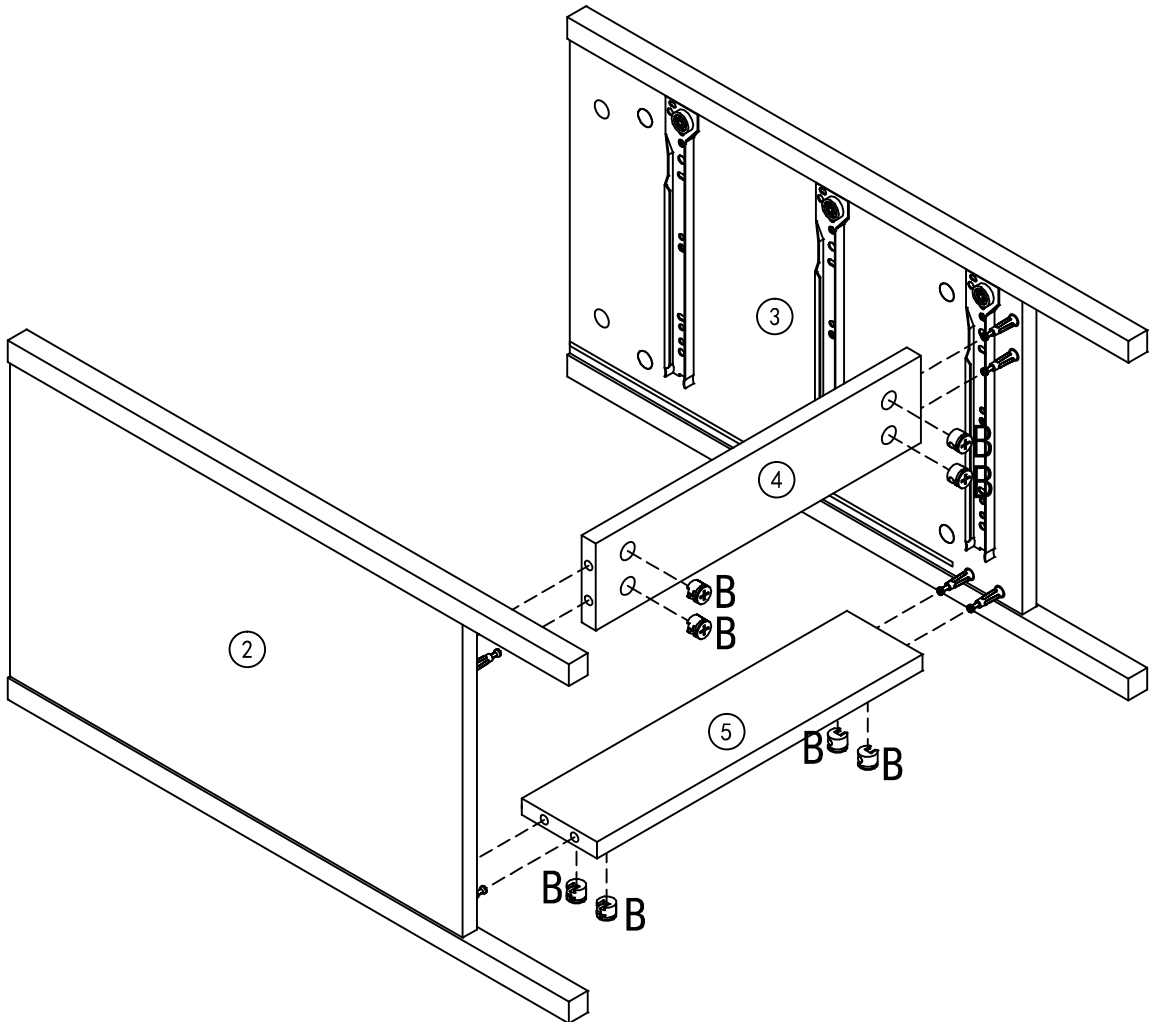
3

B 8PCS


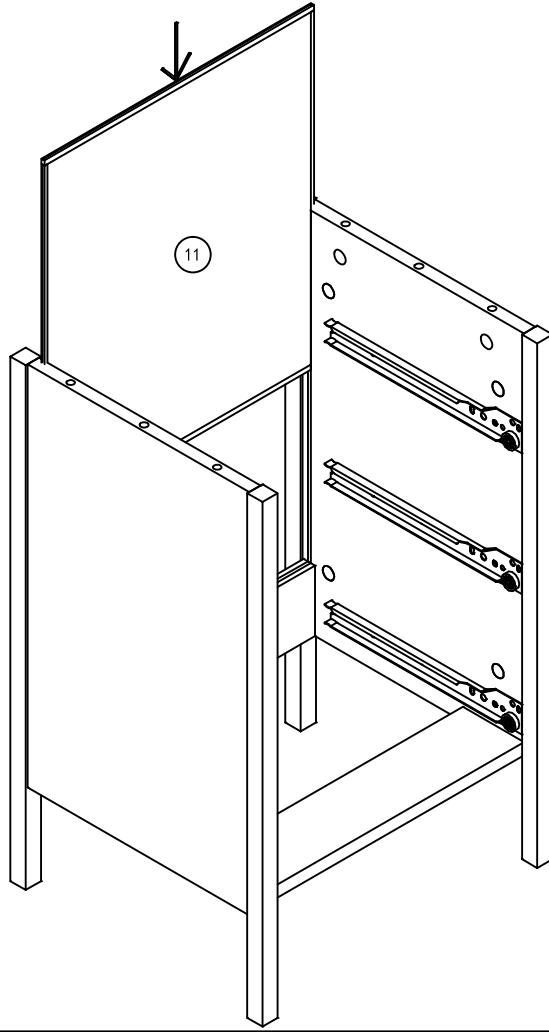


4

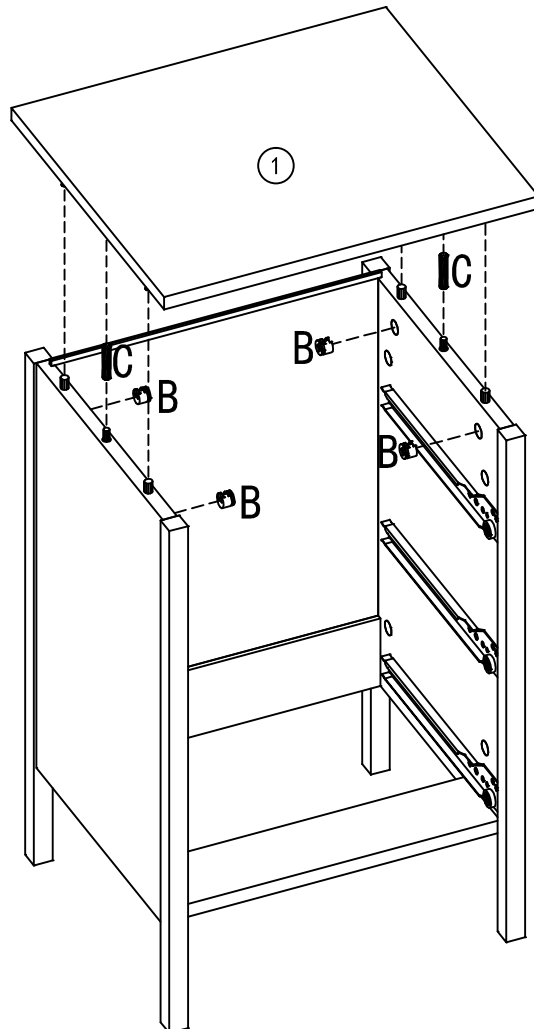
B 8PCS






5

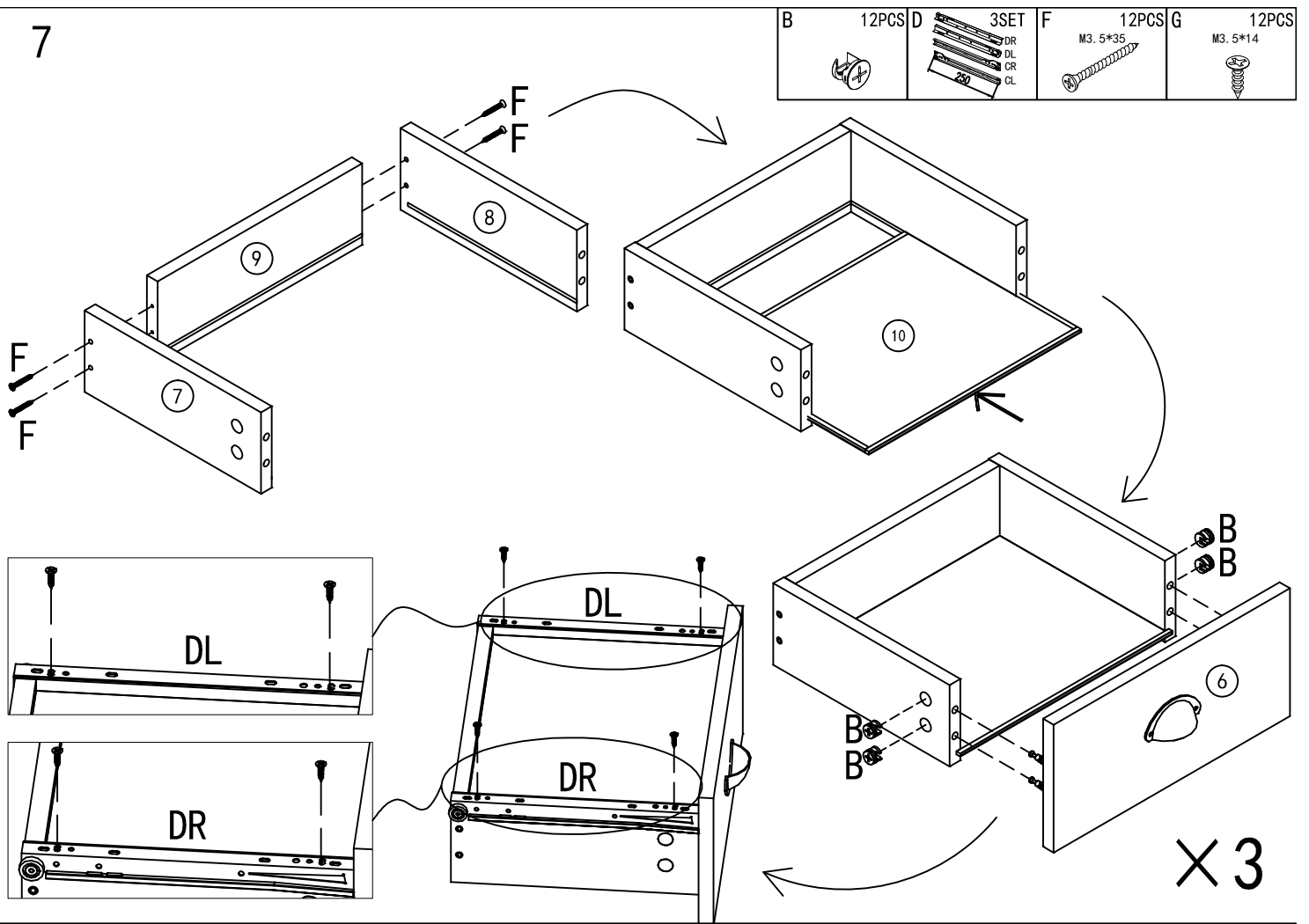


6



B	4PCS	C	2PCS
			

7



8

