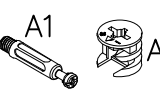
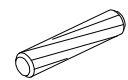

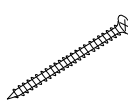


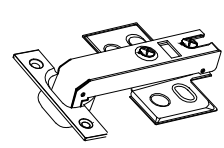
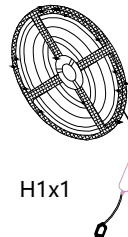
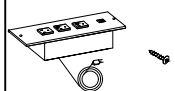
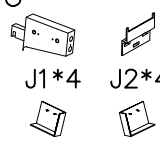
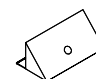

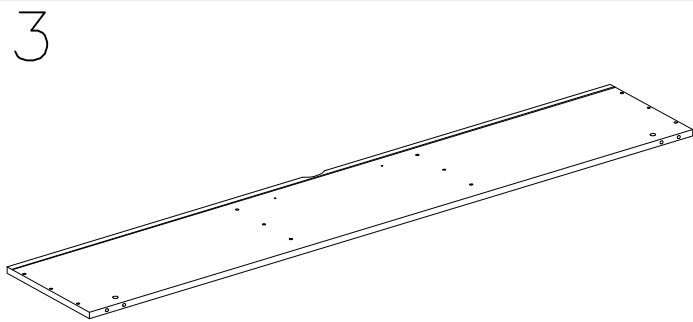
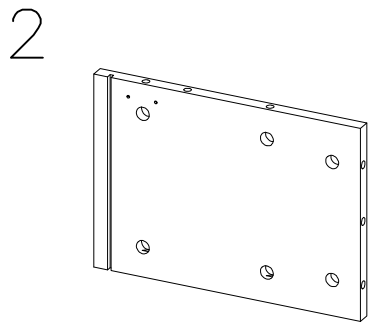
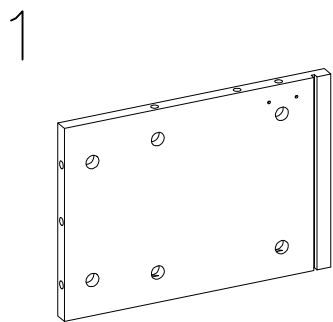


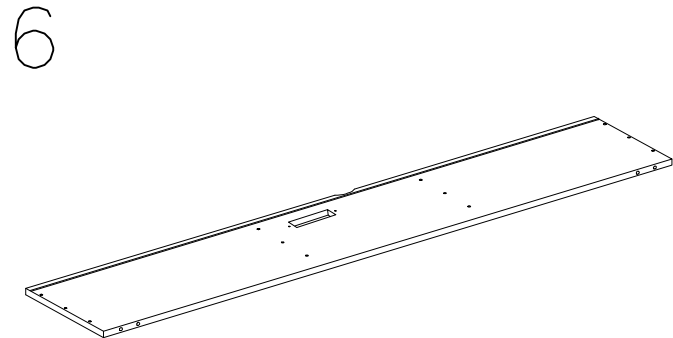
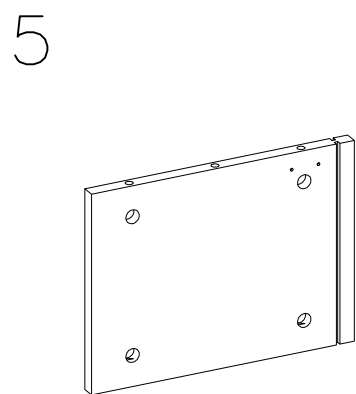
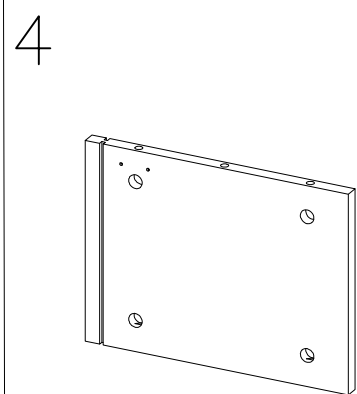
<p>A</p>  <p>A1 A2</p> <p>24pcs</p>	<p>B</p>  <p>$\phi 8 \times 30 \text{mm}$</p> <p>14pcs</p>	<p>C</p>  <p>$\phi 3.5 \times 14 \text{mm}$</p> <p>36pcs</p>	<p>D</p>  <p>$\phi 3.5 \times 40 \text{mm}$</p> <p>8pcs</p>	<p>E</p>  <p>$\phi 3.5 \times 30 \text{mm}$</p> <p>8pcs</p>	<p>F</p>  <p>$8 \times 40 \text{mm}$</p> <p>8pcs</p>	<p>G</p>  <p>4pcs</p>
<p>H</p>  <p>H1x1</p> <p>H2x2</p> <p>H3x2</p> <p>1pc</p>	<p>I</p>  <p>I1*1 I2*2</p> <p>1pc</p>	<p>J</p>  <p>J1*4 J2*4</p> <p>J3*2 J4*2</p> <p>1pc</p>	<p>K</p>  <p>12pcs</p>	<p>L</p>  <p>24pcs</p>		



203*284*15mm 1pc

203*284*15mm 1pc

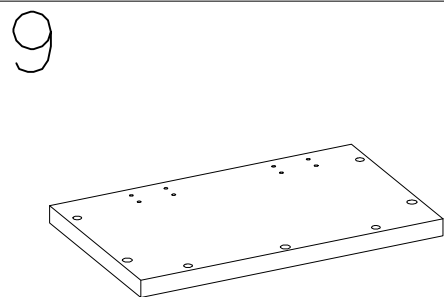
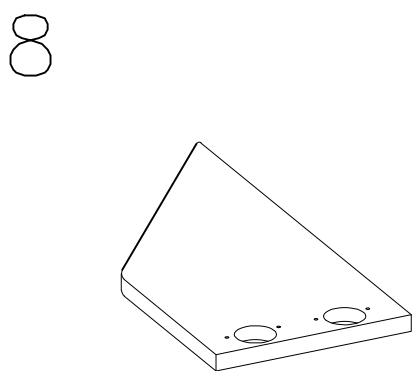
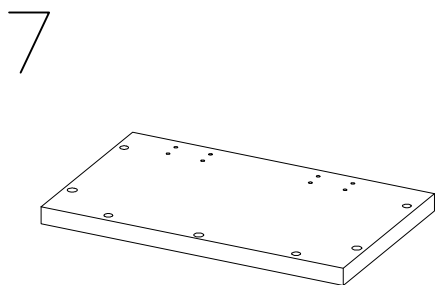
1760*285*15mm 1pc



203*284*15mm 1pc

203*284*15mm 1pc

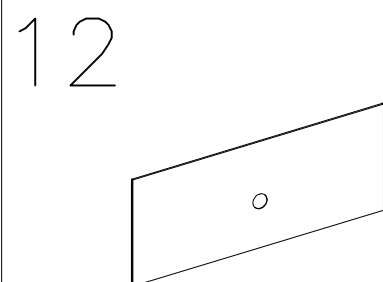
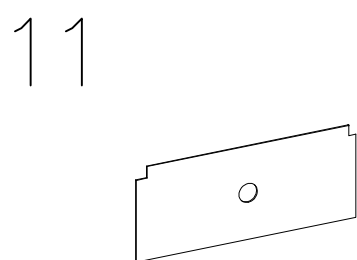
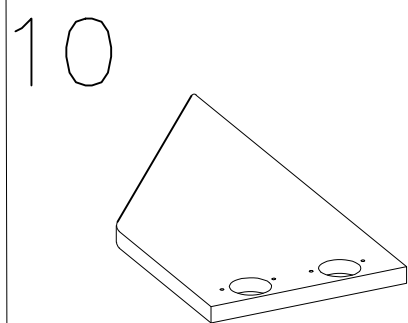
1760*285*15mm 1pc



235*131*15mm 1pc

537*235*15mm 1pc

235*131*15mm 1pc



537*235*15mm 1pc

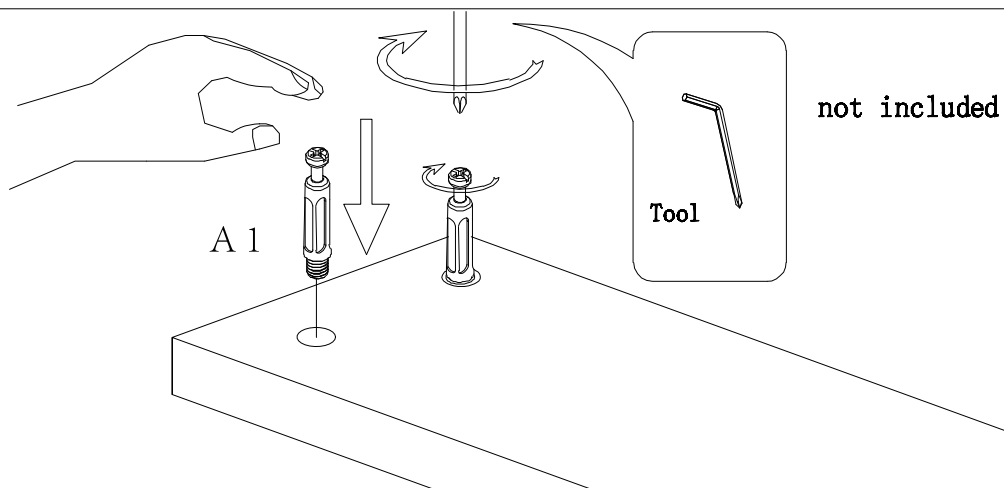
474*213*3mm 2pcs

776*213*3mm 1pc

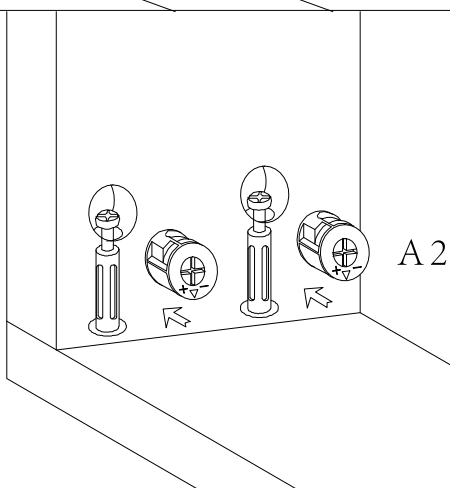
Hardware installation demonstration

NOTE: Please make sure
"A1" hardware tightened
and can't be pulled out!

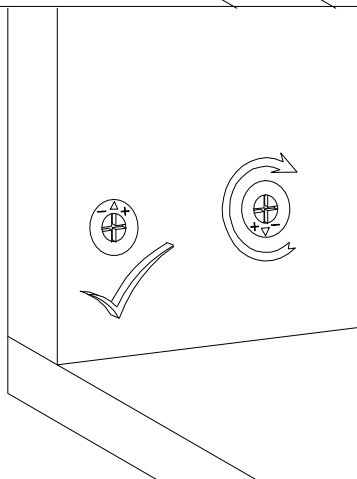
I



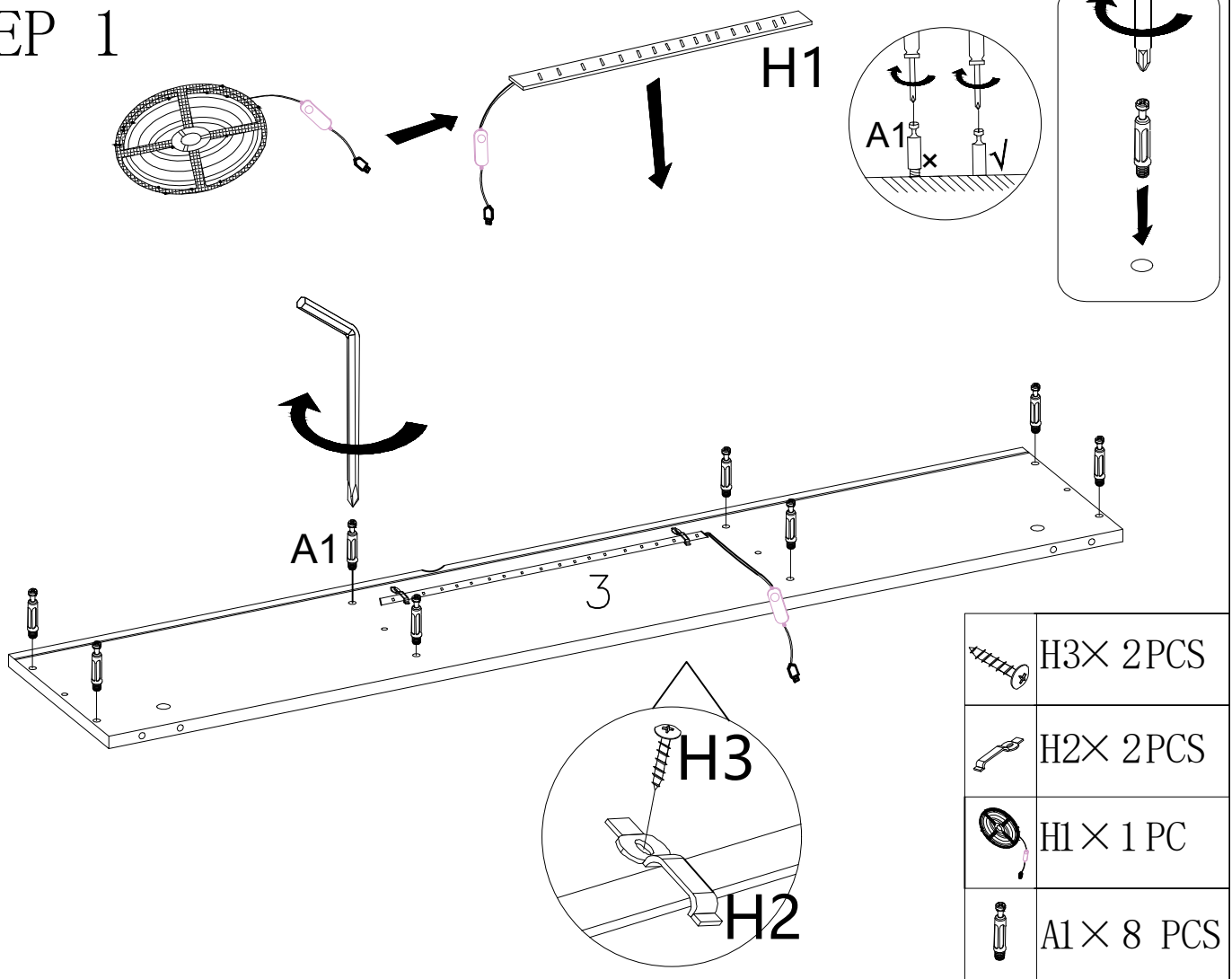
II



III

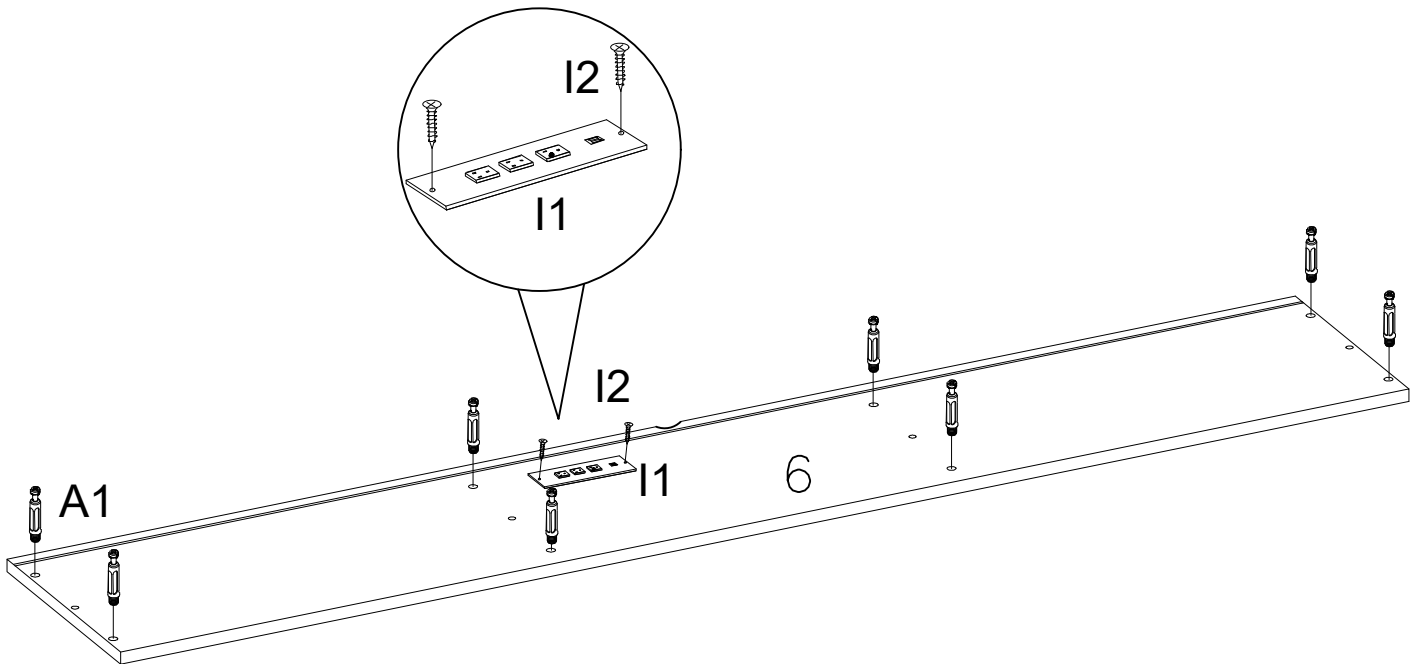


STEP 1



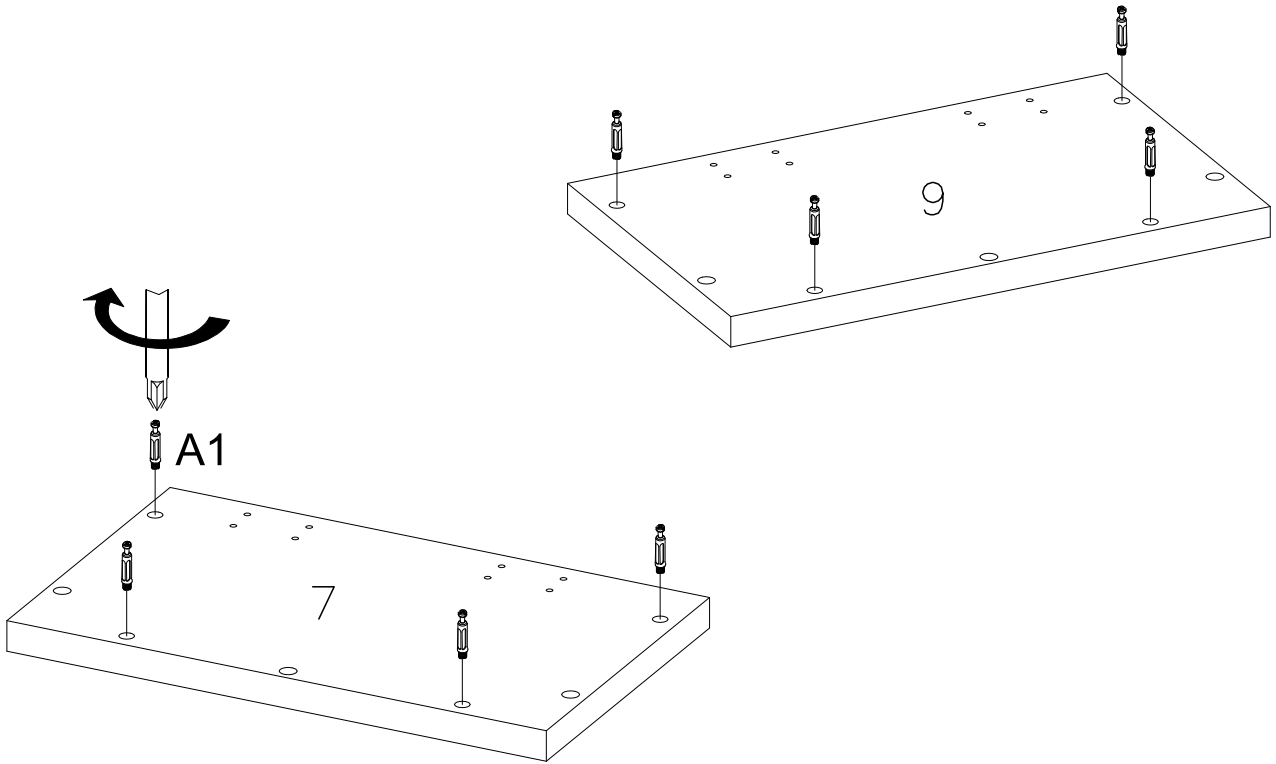
	H3 × 2 PCS
	H2 × 2 PCS
	H1 × 1 PC
	A1 × 8 PCS

STEP 2



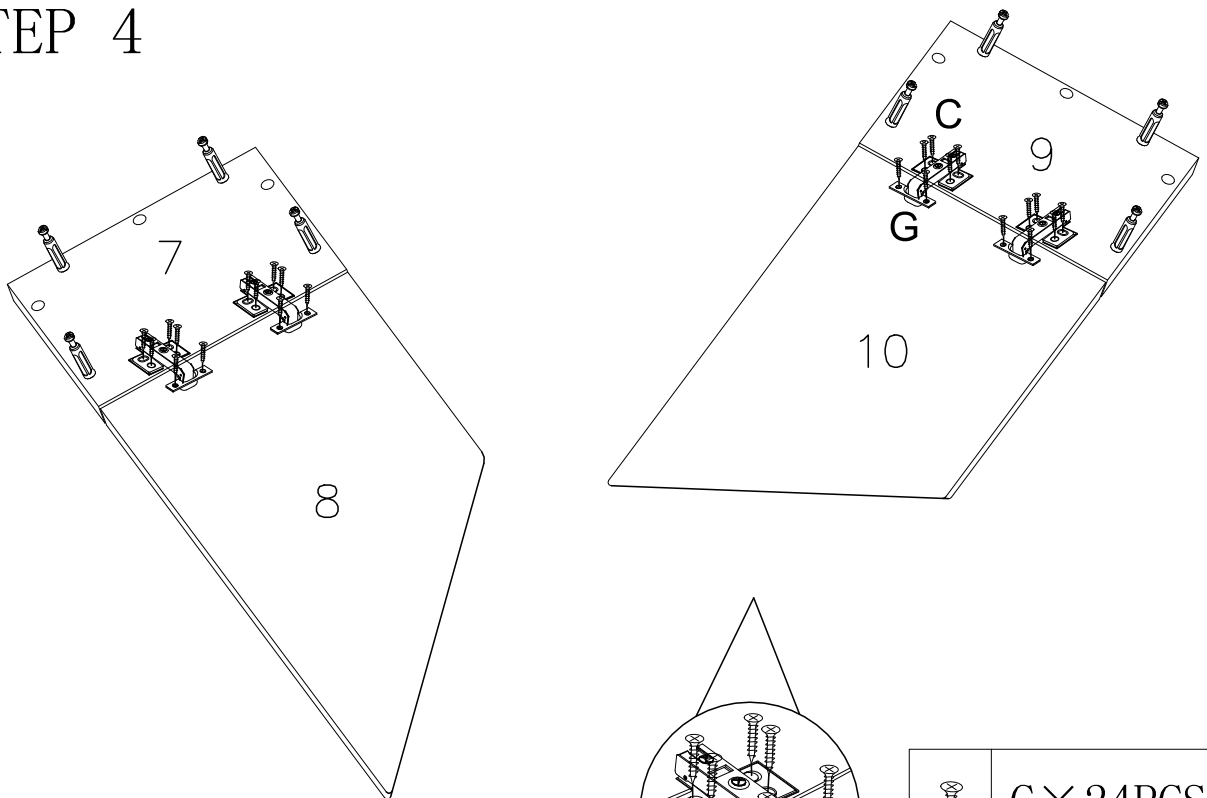
	I1 × 1 PC		I2 × 2 PCS		A1 × 8 PCS
--	-----------	--	------------	--	------------



STEP 3



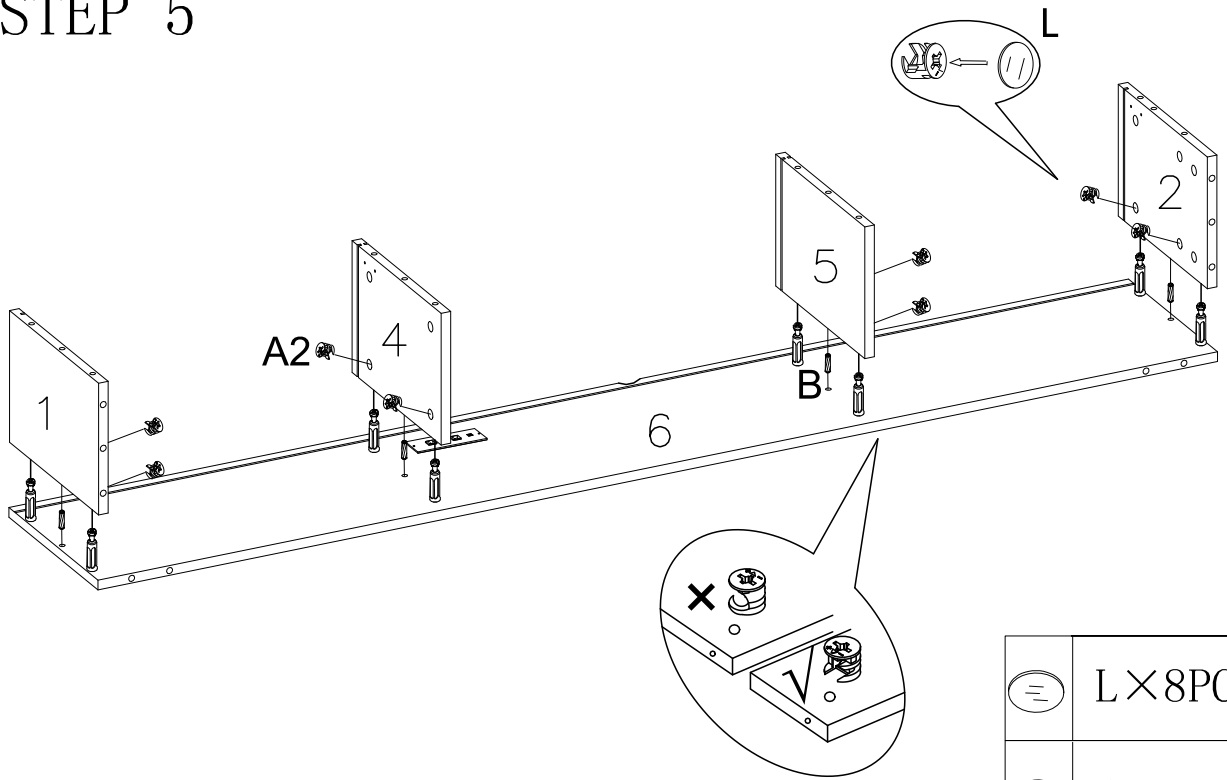
	A1 × 8 PCS
---	------------



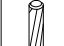
STEP 4



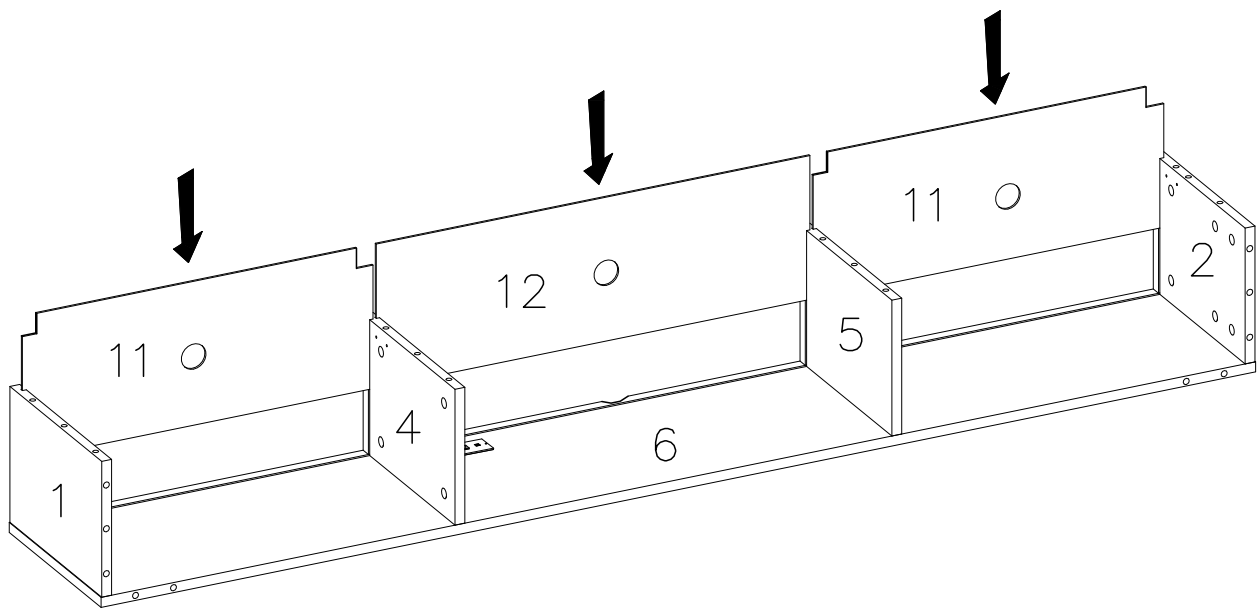
	C × 24 PCS
	G × 4 PCS

STEP 5

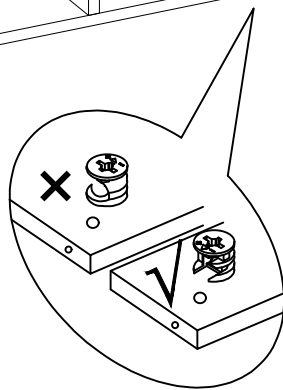
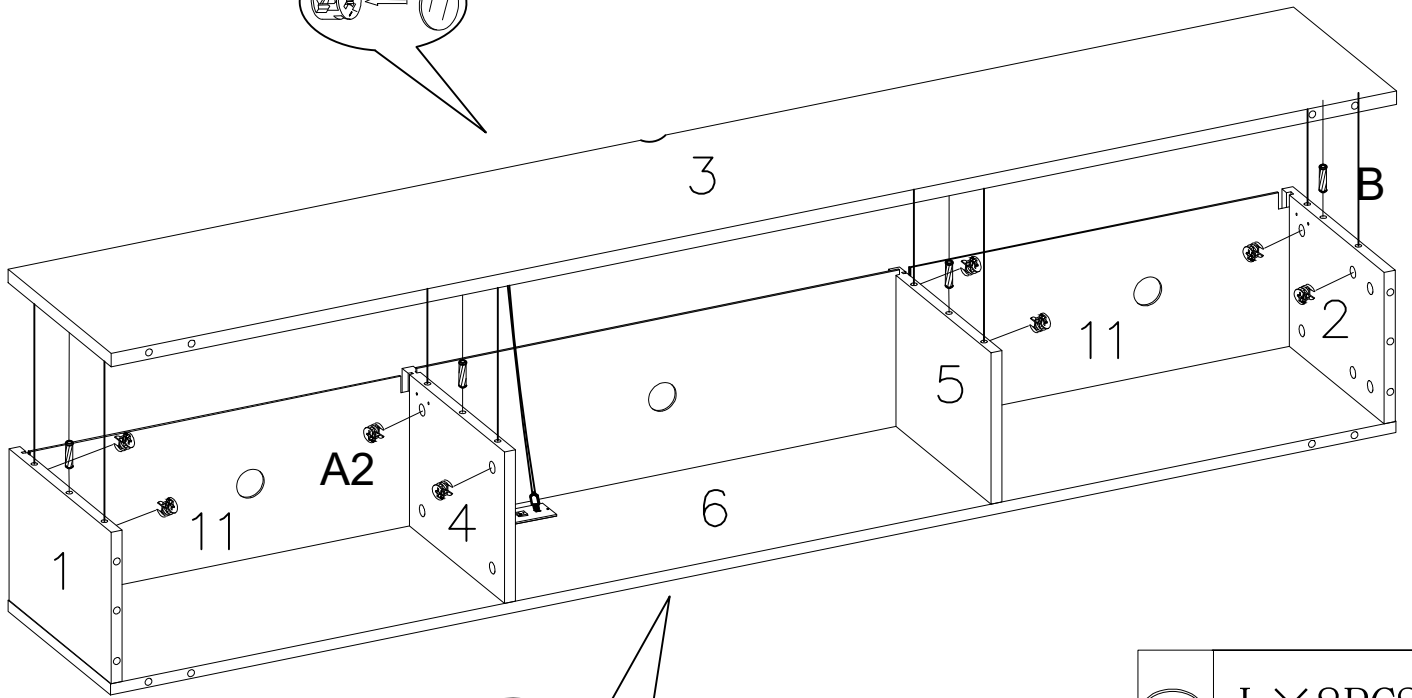
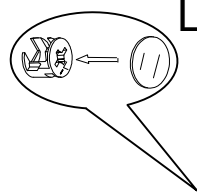




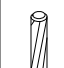
	L × 8PCS
	A2 × 8PCS
	B × 4PCS

STEP 6

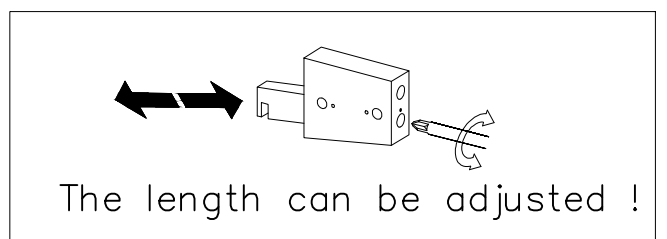
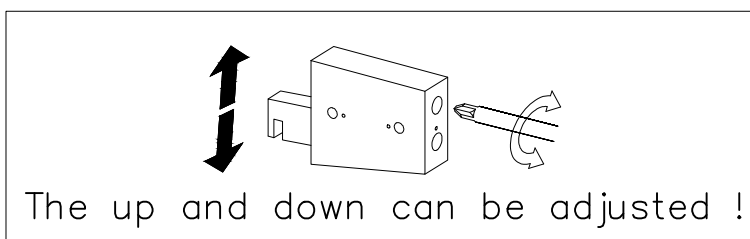
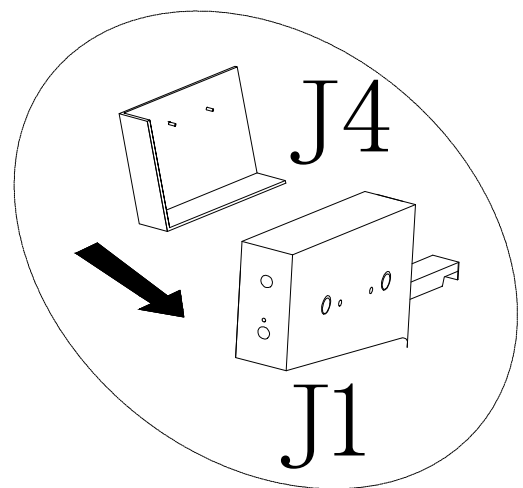
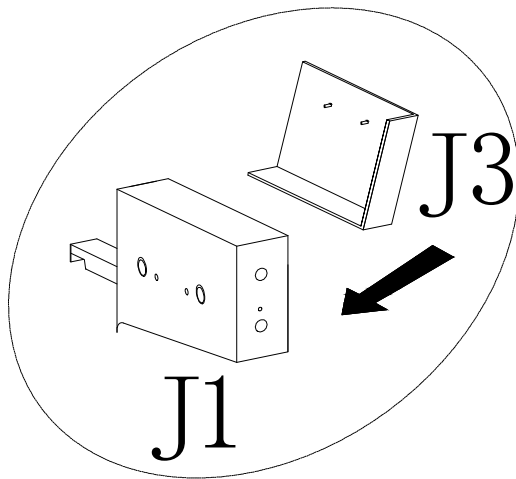


STEP 7

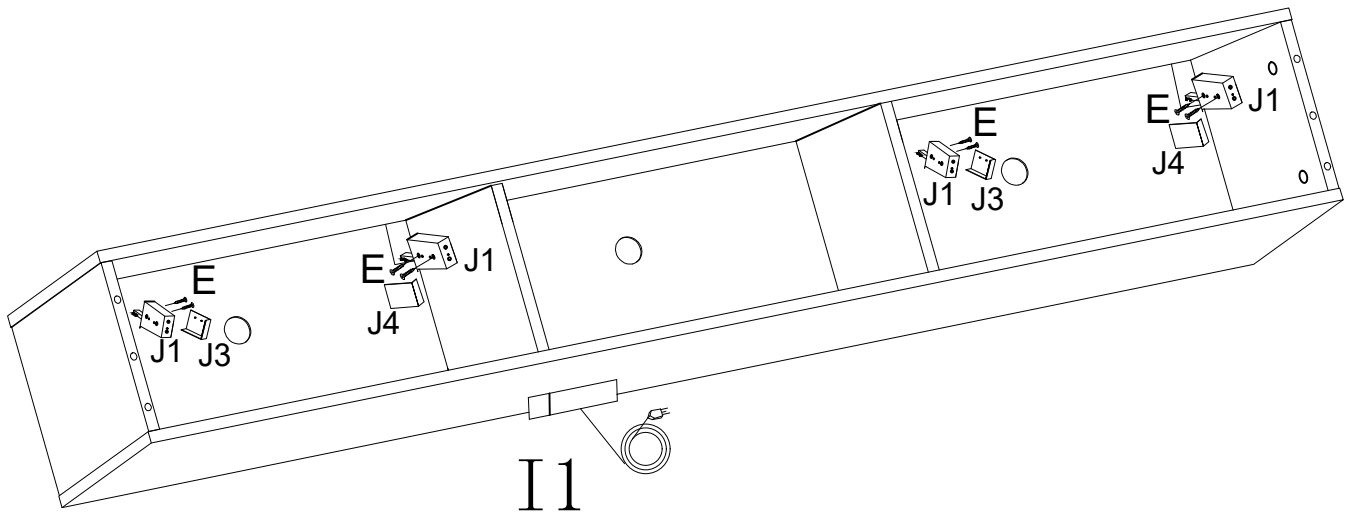





	L × 8PCS
	A2 × 8PCS
	B × 4PCS

STEP 8

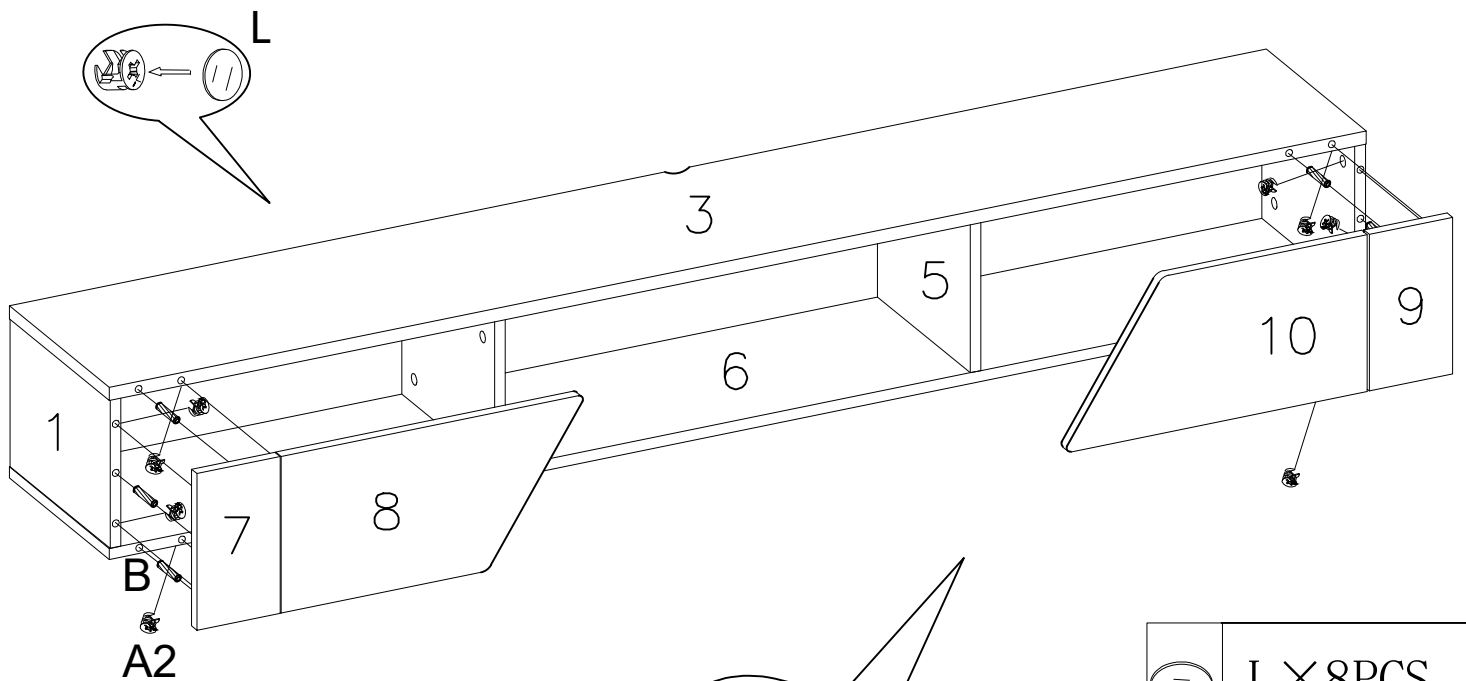




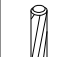
STEP 9



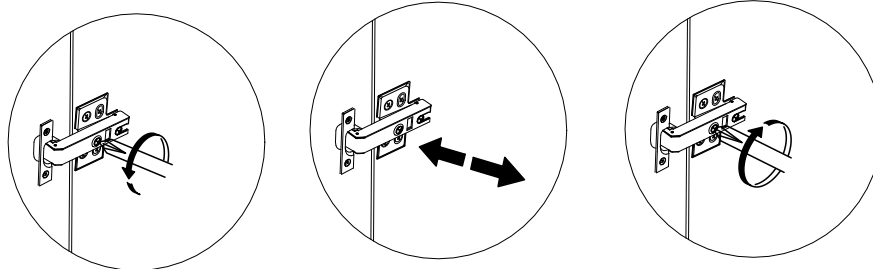
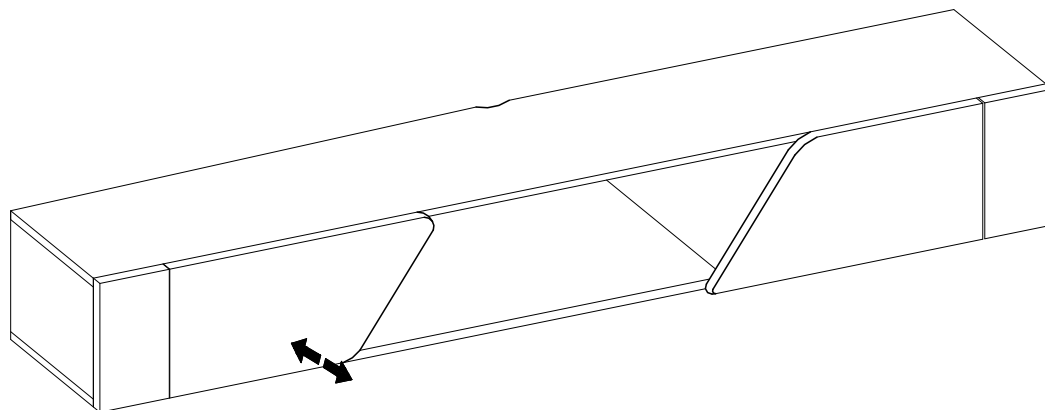
	E × 8PCS		J3 × 2PCS
	J1 × 4PCS		J4 × 2PCS

STEP 10



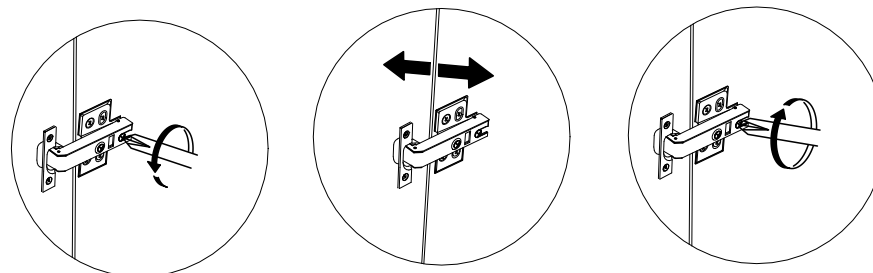
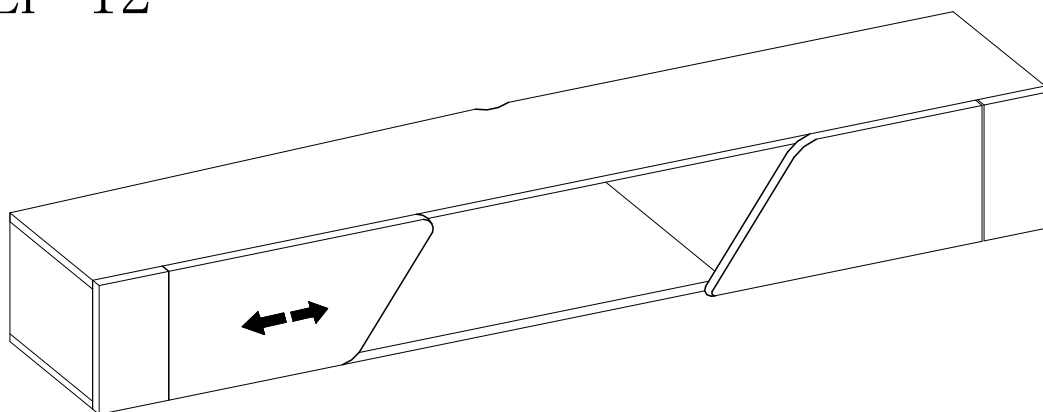
	L × 8PCS
	A2 × 8PCS
	B × 6PCS

STEP 11



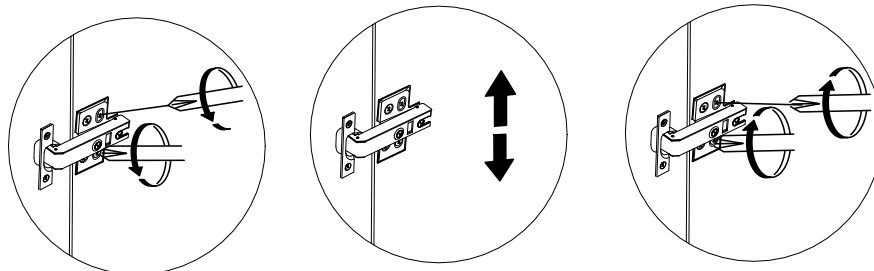
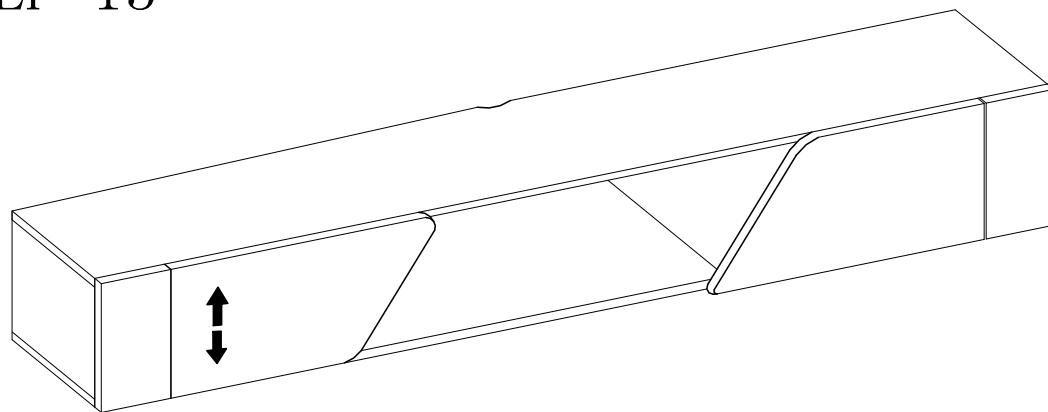
Fine-tune the gap after the cabinet door is closed

STEP 12



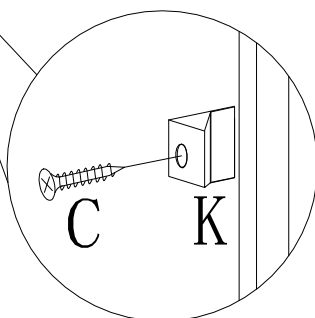
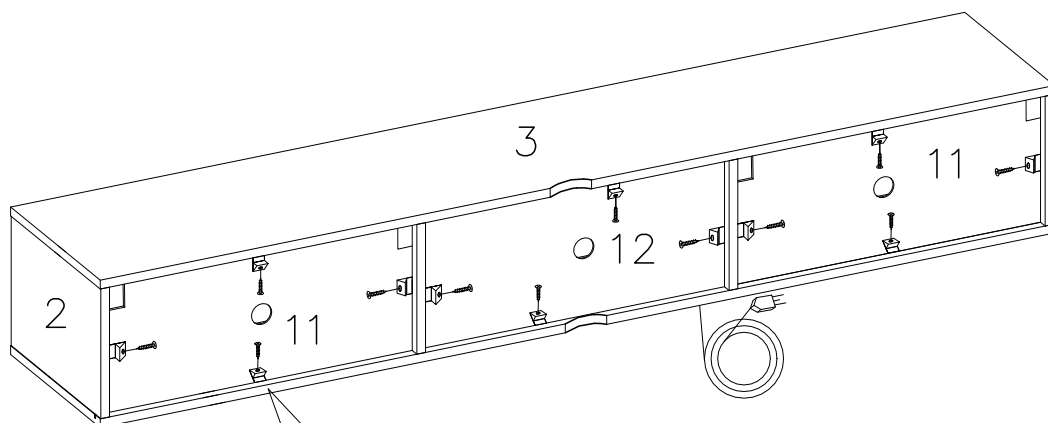
Cabinet door left and right fine adjustment



STEP 13



Cabinet door up and down fine adjustment

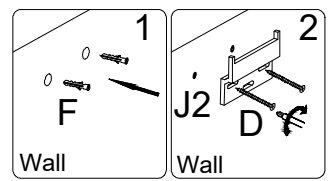
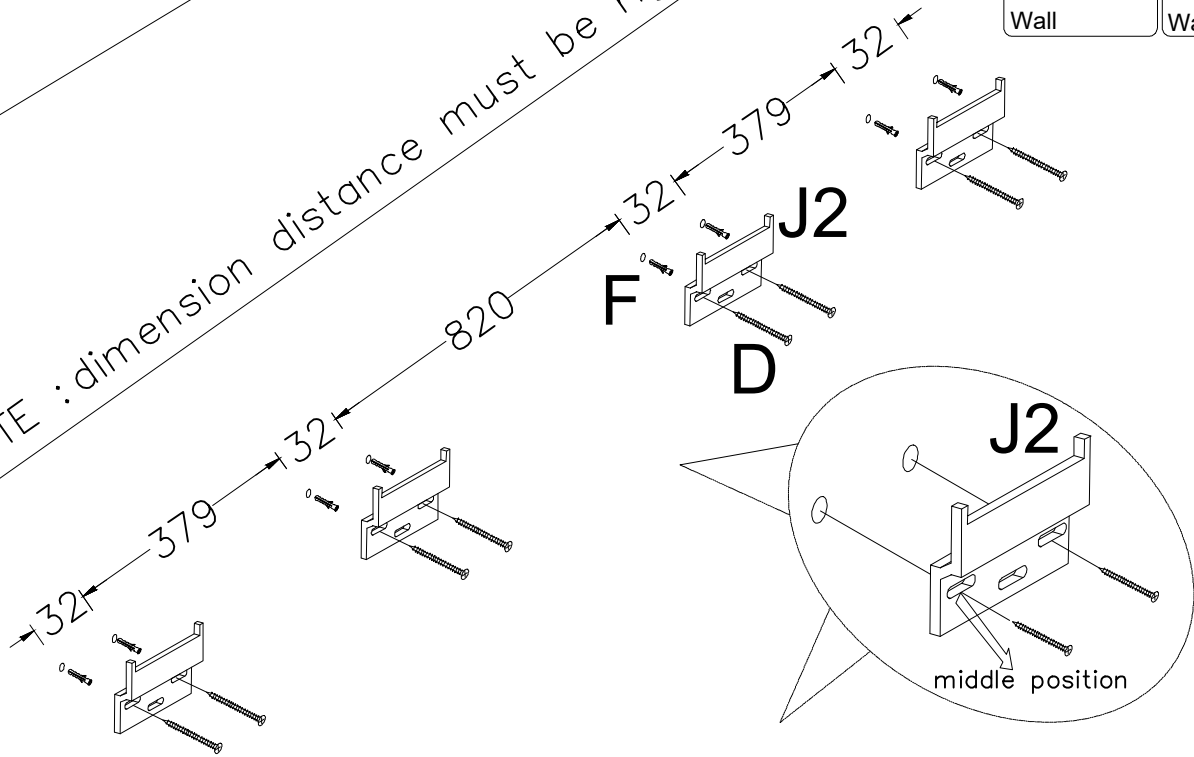
STEP 14



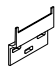


	C × 12PCS
	K × 12PCS

STEP 15

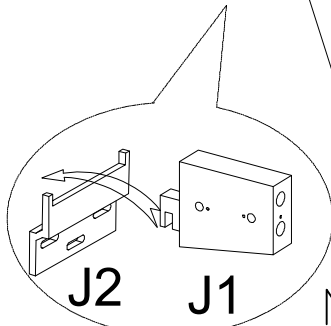
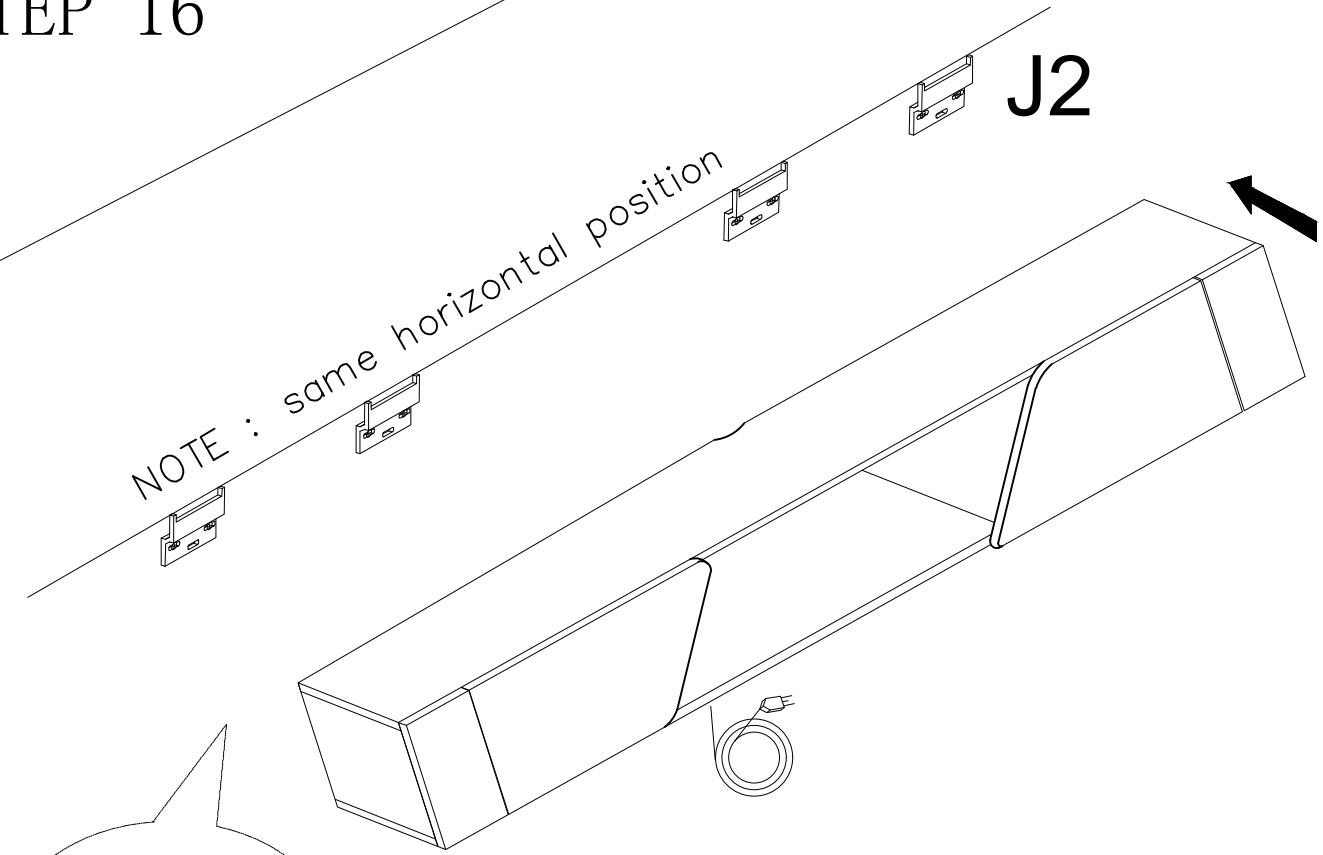
NOTE : dimension distance must be right !



	DX 8PCS		FX 8PCS		J2 4PCS
---	----------------	---	----------------	---	----------------

STEP 16

NOTE : same horizontal position



NOTE : install the cabinet on the J2 !