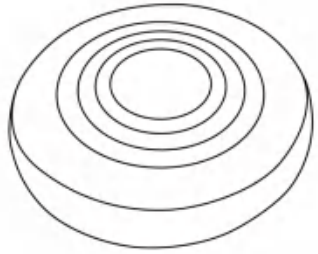
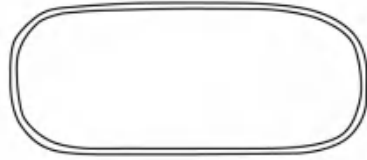


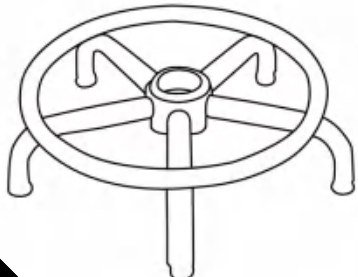
Part List



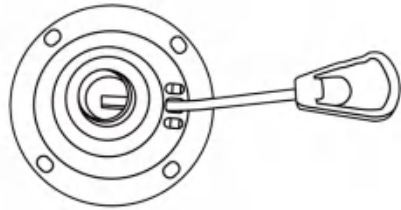
A Cushion×1



B Back Cushion×1



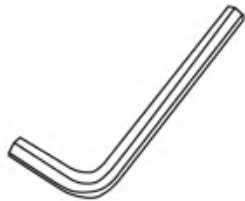
C Base×1



D Adjustment handle×1



E Gas lift×1



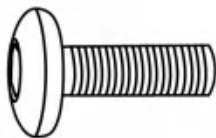
F Wrench×1



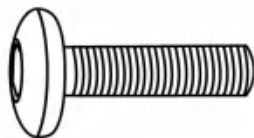
G Back Bracket×1



H Wheel×5

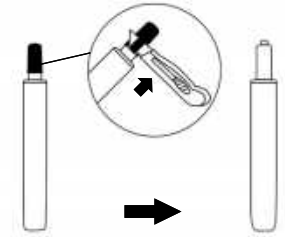


I Screw×4
M 6×20



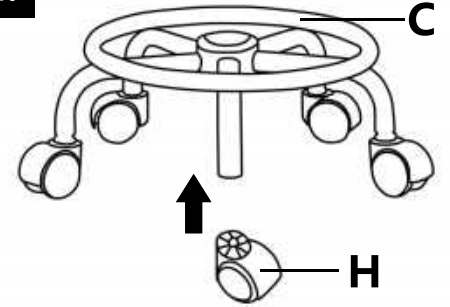
J Screw×5
M 6×25

1.

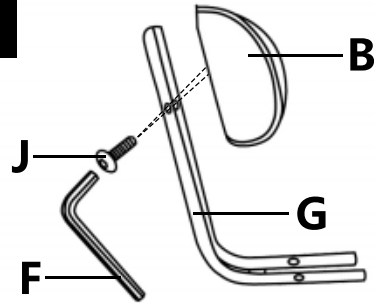


★ Caution: Remove the plastic cap before assembly. This is a part of packaging only. Sometimes the cap cracked firmly inside the seat plate, you'd better to remove it by tools like knife scissor.

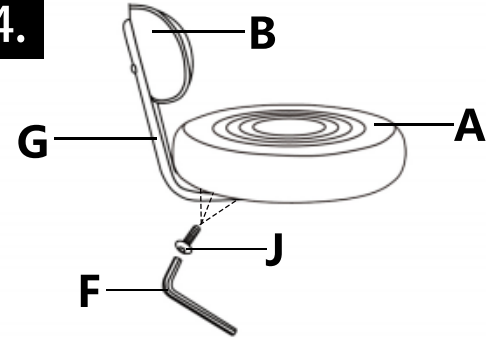
2.



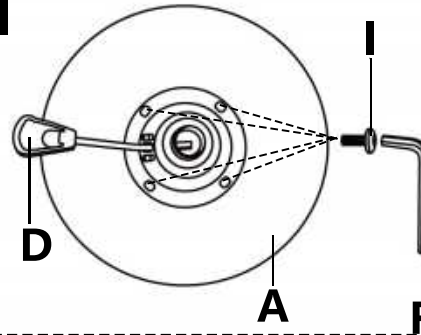
3.



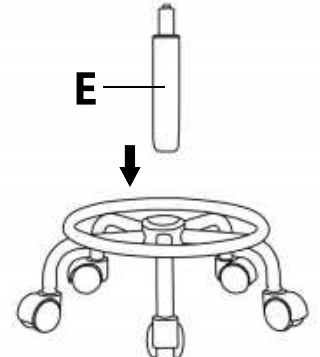
4.



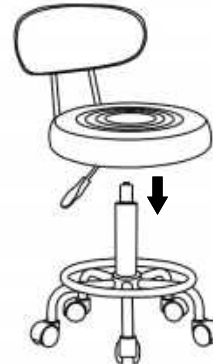
5.



6.



7.



8.

