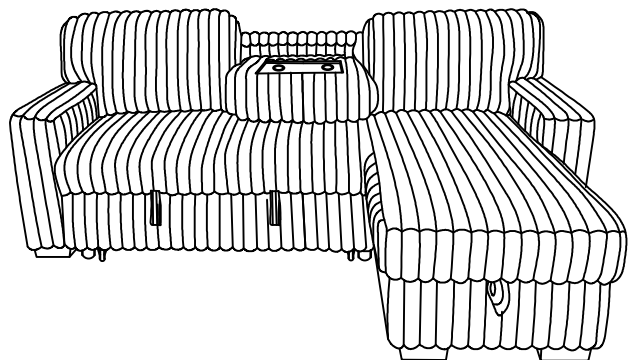
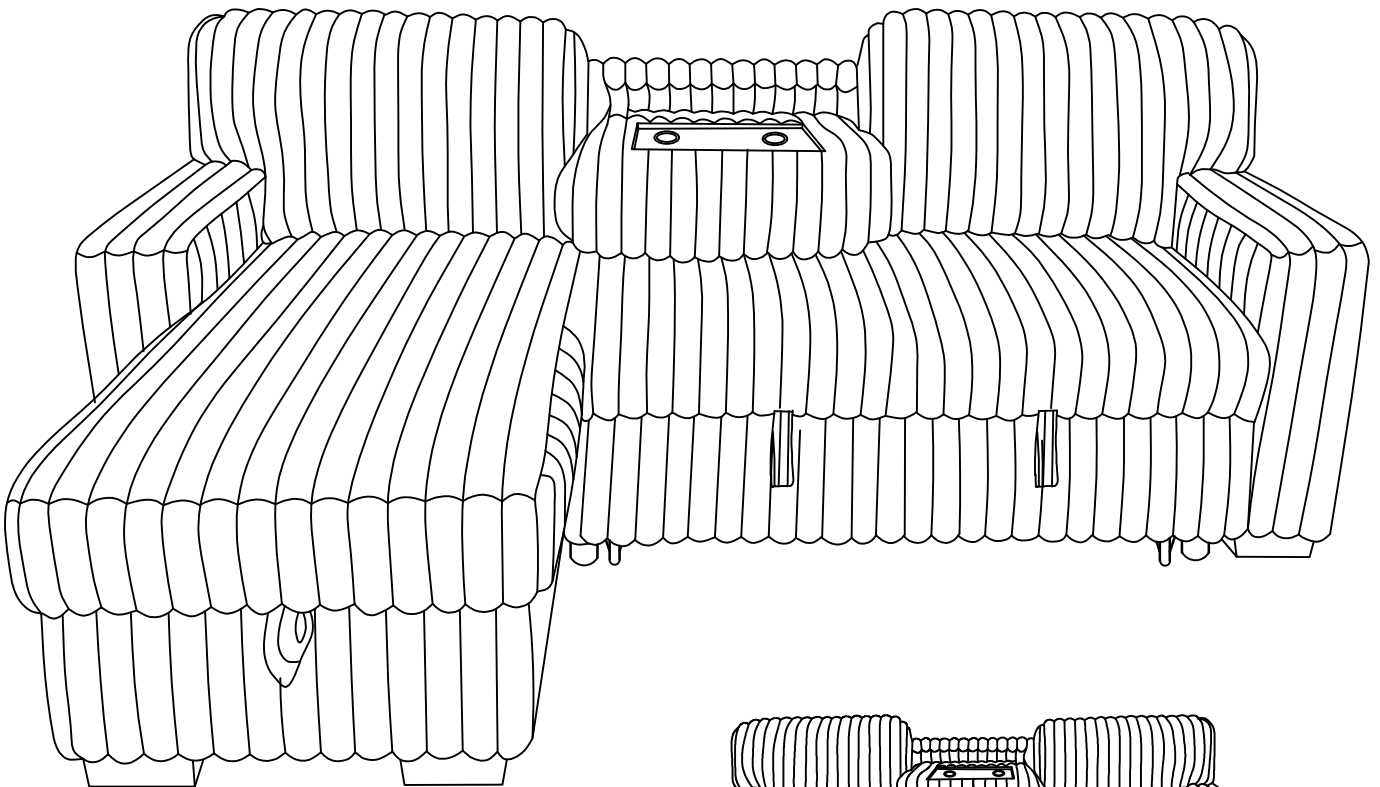











Assembly Instructions

ITEM: S20-S23



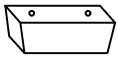


ASSEMBLY INSTRUCTIONS

PARTS LIST








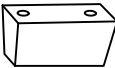




PART	DRAWING	DESCRIPTION	QTY	PART	DRAWING	DESCRIPTION	QTY
A		Love Seat	1	E-2		Backrest	1
B		Dropdown Table Backrest	1	F		Chaise	1
C		RAF Back Cushion	1	G		LAF Back Cushion	1
D		Right Arm	1	H		Left Arm	1
E-1		Chaise Backrest	1				

HARDWARE LIST

PART	DRAWING	DESCRIPTION	QTY	PART	DRAWING	DESCRIPTION	QTY
I		Screw M5 x 50mm	6	K		Legs	2
J		Legs	2				

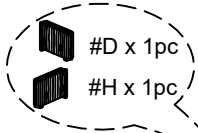
ASSEMBLY INSTRUCTIONS

S20-S23 - is packed in 2 case

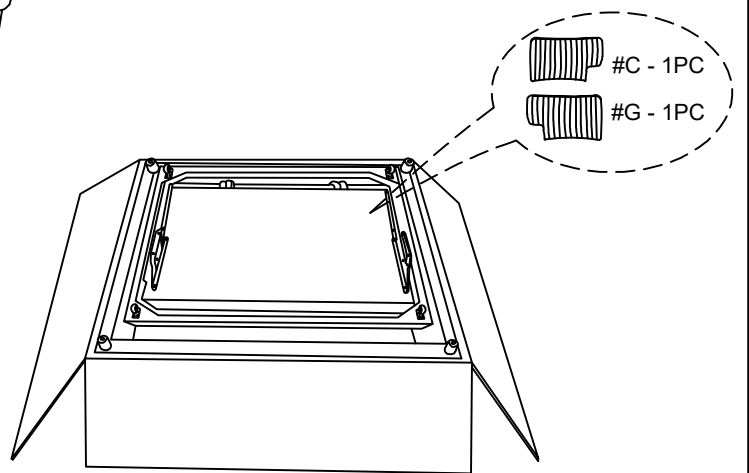
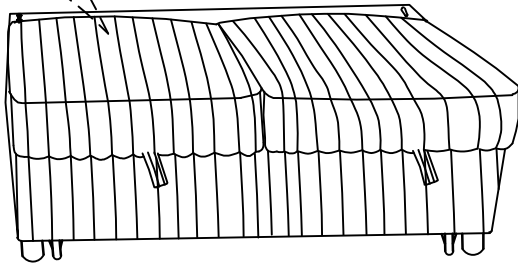
Carton	Description	Part	Hardware
1	Love seat	#A 	
	RAF Back Cushion	#C 	
	LAF Back Cushion	#G 	
	Right Arm	#D 	
	Left Arm	#H 	
2	Chaise	#F 	 #I x 6pcs  #J x 2pcs  #K x 2pcs
	Dropdown Table Backrest	#B 	
	Chaise Backrest	#E-1 	
	Backrest	#E-2 	

ASSEMBLY INSTRUCTIONS

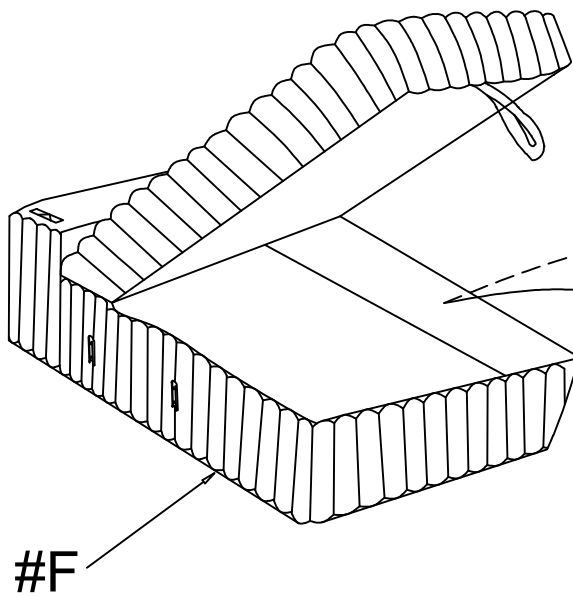
STEP 1



ARMRESTS ARE PLACED AT THE TOP OF THE PULL- BED



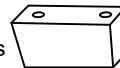
STEP 2



#I x6pcs



#J x 2pcs



#K x 2pcs



#B x 1pcs



#E-1 x 1pcs

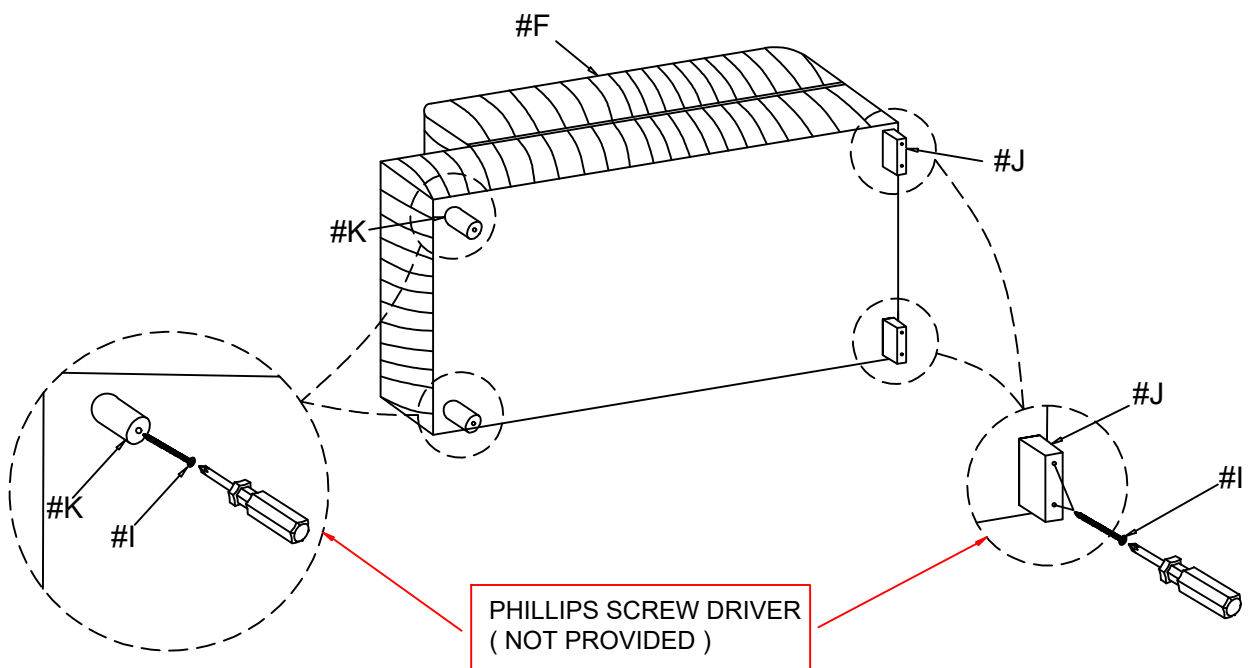


#E-2 x 1pcs



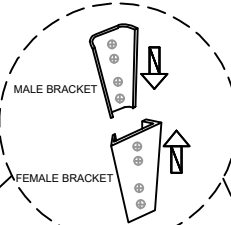
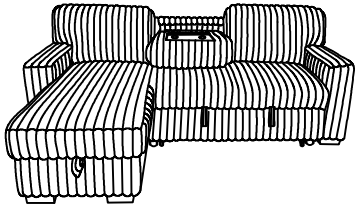
ASSEMBLY INSTRUCTIONS

STEP 3

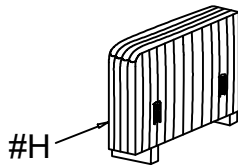


ASSEMBLY INSTRUCTIONS

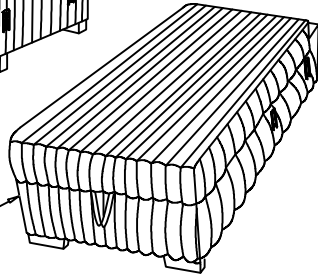
STEP 4A



Step 1. Lift Chaise (F) to connect Arm (H)

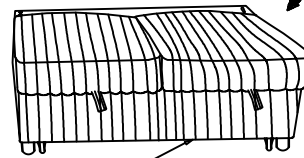


#F



Step 2. Lift Loveseat (A) to connect Pull Out Chaise (F)

#A

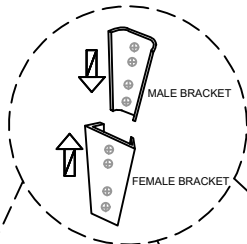
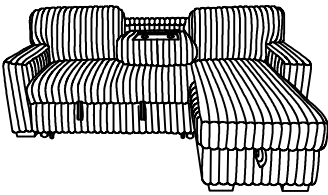


Step 3. Lift Arm (D) to connect Loveseat (A)

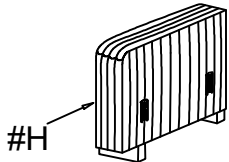


#D

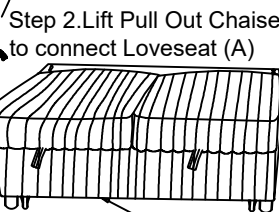
STEP 4B



Step 1. Lift Loveseat (A) to connect Pull Out Arm(H)

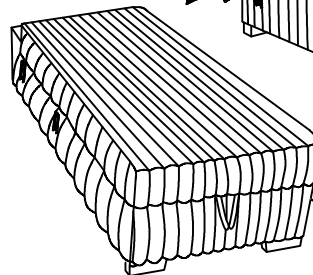


#H



#A

Step 2. Lift Pull Out Chaise(F) to connect Loveseat (A)



#F

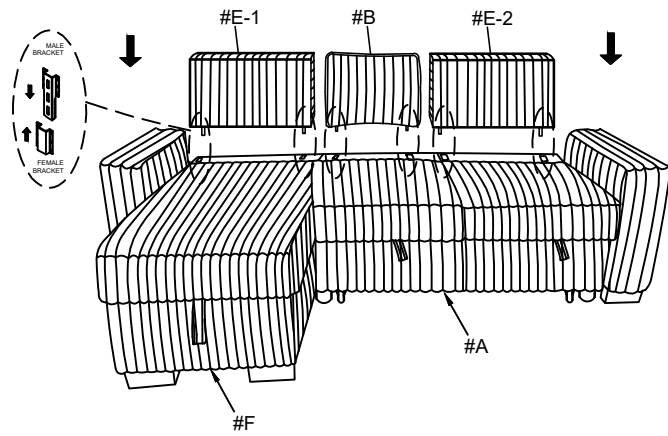
Step 3. Lift Arm (D) to connect Chaise (F)



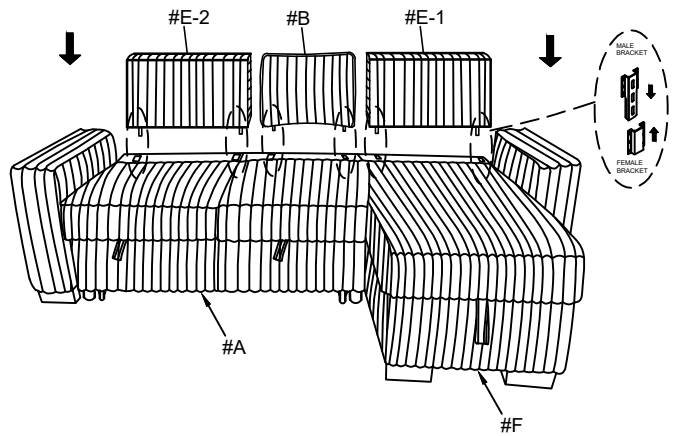
#D

ASSEMBLY INSTRUCTIONS

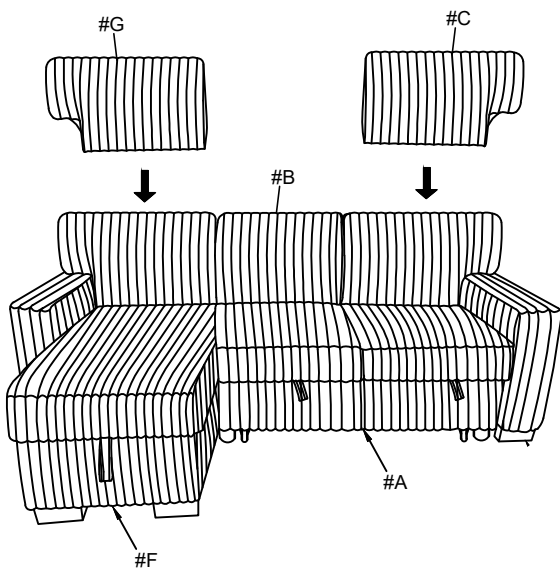
STEP 5A



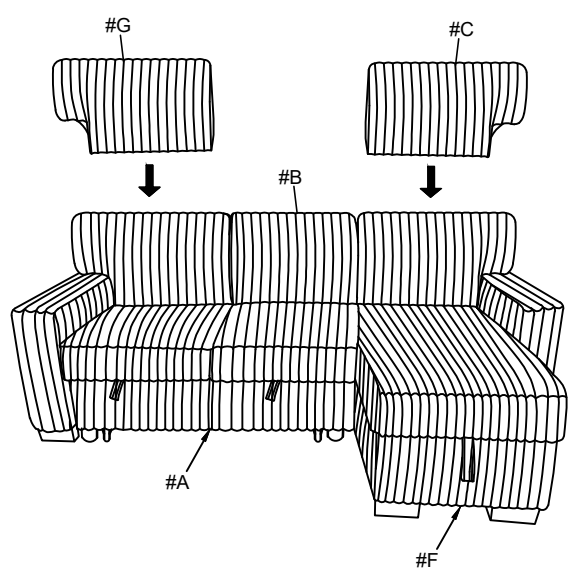
STEP 5B



STEP 6A

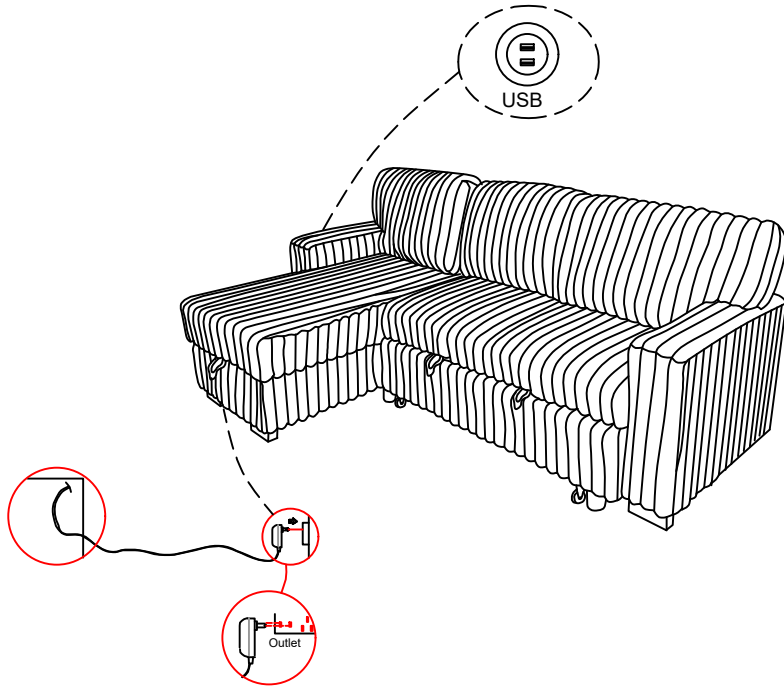


STEP 6B

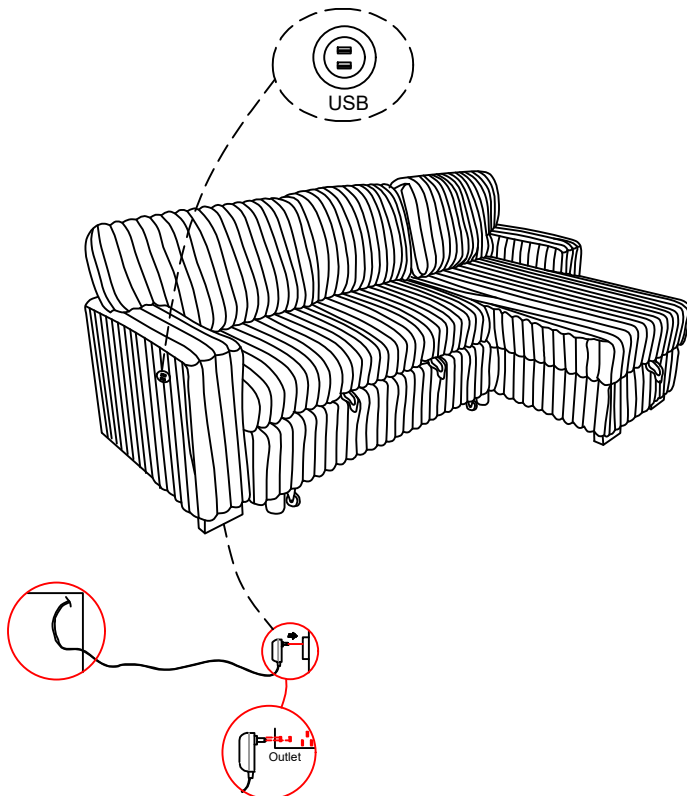


ASSEMBLY INSTRUCTIONS

STEP 7A

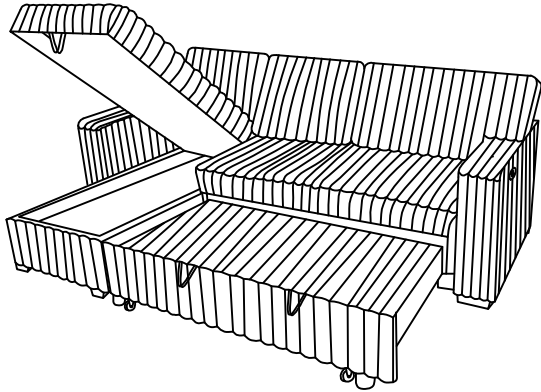


STEP 7B

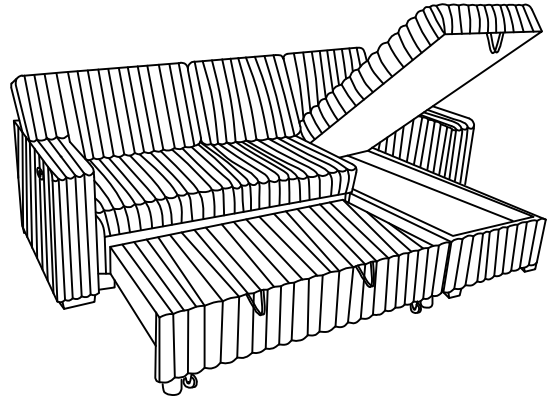


ASSEMBLY INSTRUCTIONS

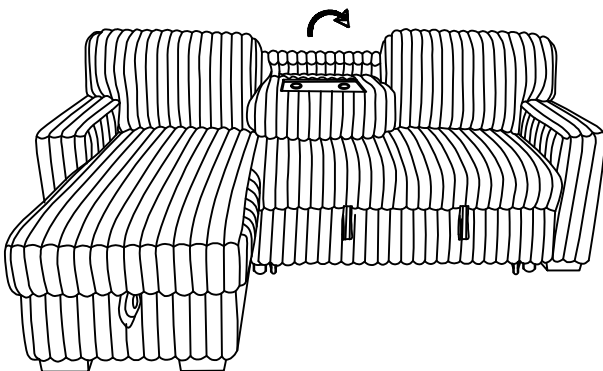
STEP 8A



STEP 8B



STEP 9A



STEP 9B

