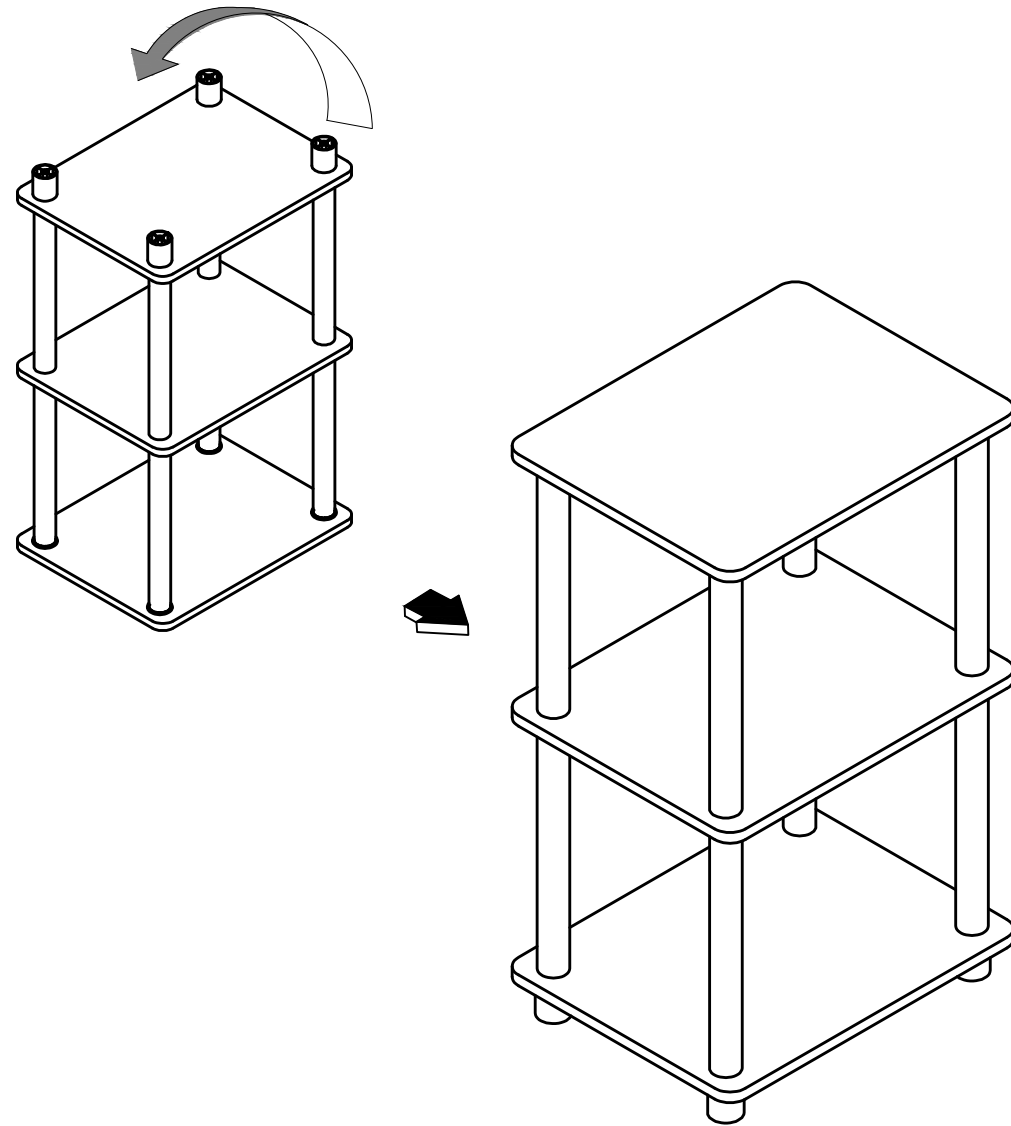
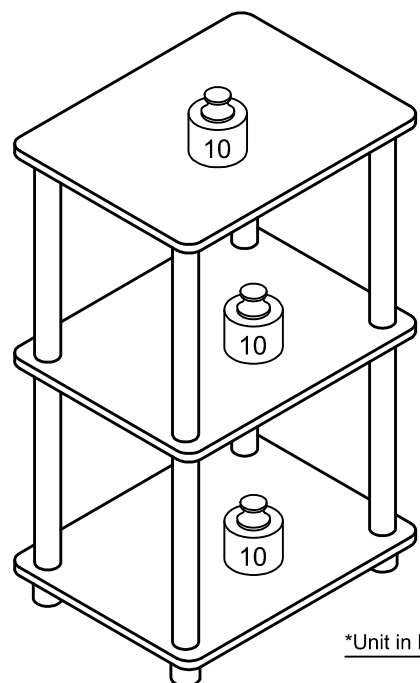


STEP 2

TURN 180°



Recommended Maximum Weight



*Unit in Pound(lbs.)

WARNING:

>This unit has been designed to support the maximum loads shown. Exceeding these load limits could cause sagging, instability, product collapse, and/or serious injury.

>DO NOT allow children to climb on unit.

> Put heavier items on lower shelves.

Assembly Instruction

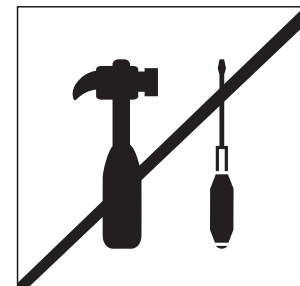
Turn-N-Tube 2 Space Shelf

00:10

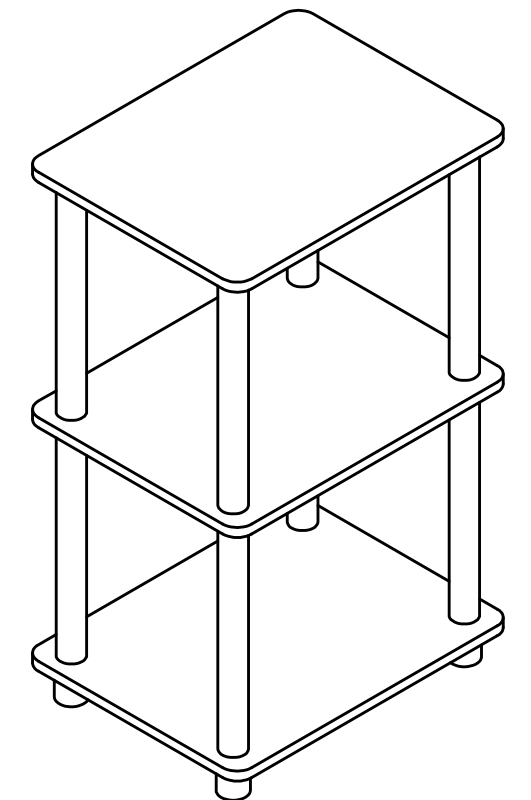
Approx. 10 minutes







Recomm. 1 Person

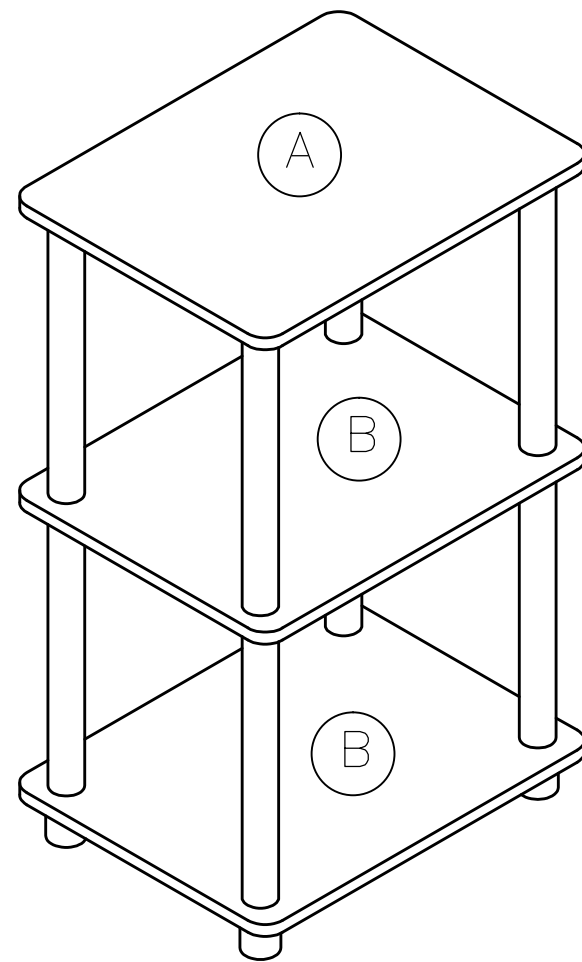


No Tools Required



HARDWARE & PARTS LIST

NO	PARTS LIST	QTY	NO	HARDWARE	QTY
A	TOP PANEL 	1pc	1	ROUND LONG POLE 	8pcs
B	SHELF PANEL 	2pcs	2	ROUND LEG 	4pcs



USEFUL HINTS BEFORE YOU START:

1. Read each step carefully before starting.
2. It is important that each step is performed in correct order to avoid difficulties.
3. Identify, sort and count the parts before assembly.
4. Assemble your furniture on packaging cardboard to prevent scratch or damage.
5. Clean the product with mild cleanser using soft dampened cloth. Do not use harsh or abrasive cleanser.
6. Using incompatible hardware might cause damage to product.

ASSEMBLY INSTRUCTIONS

BEFORE YOU BEGIN, PLEASE READ ASSEMBLY INSTRUCTION CAREFULLY, FOLLOW THEM STEP BY STEP.

STEP 1

