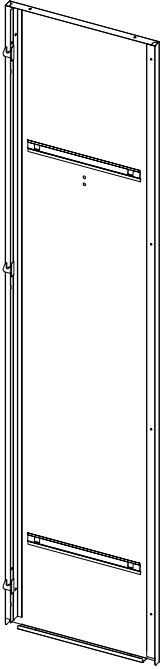
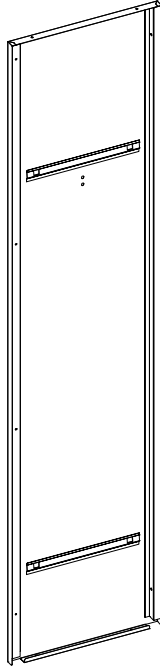
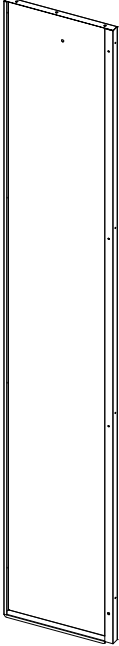
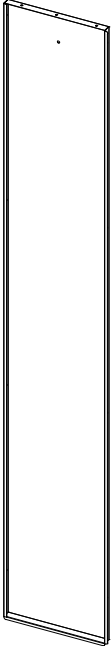
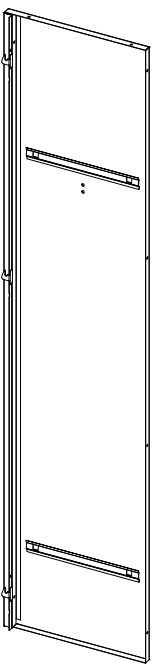
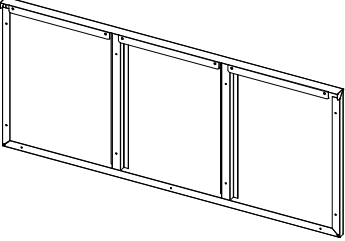
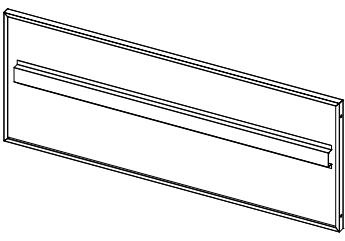
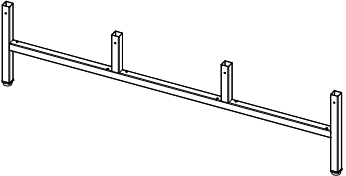
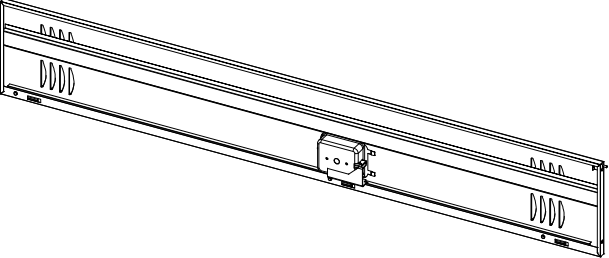
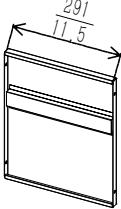
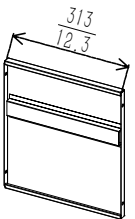
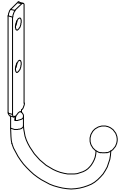
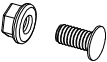




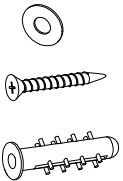

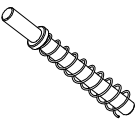
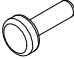
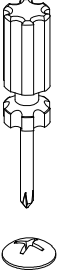
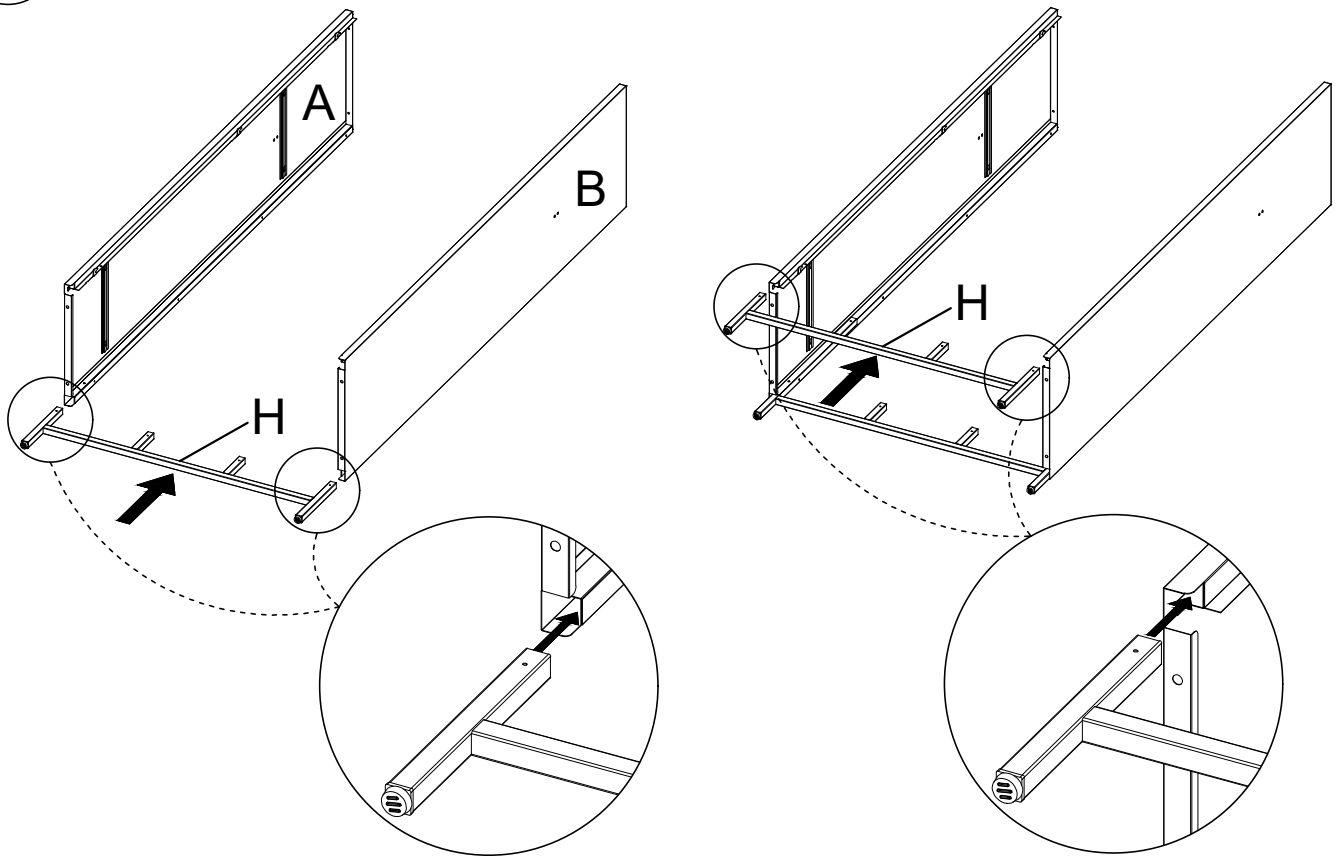


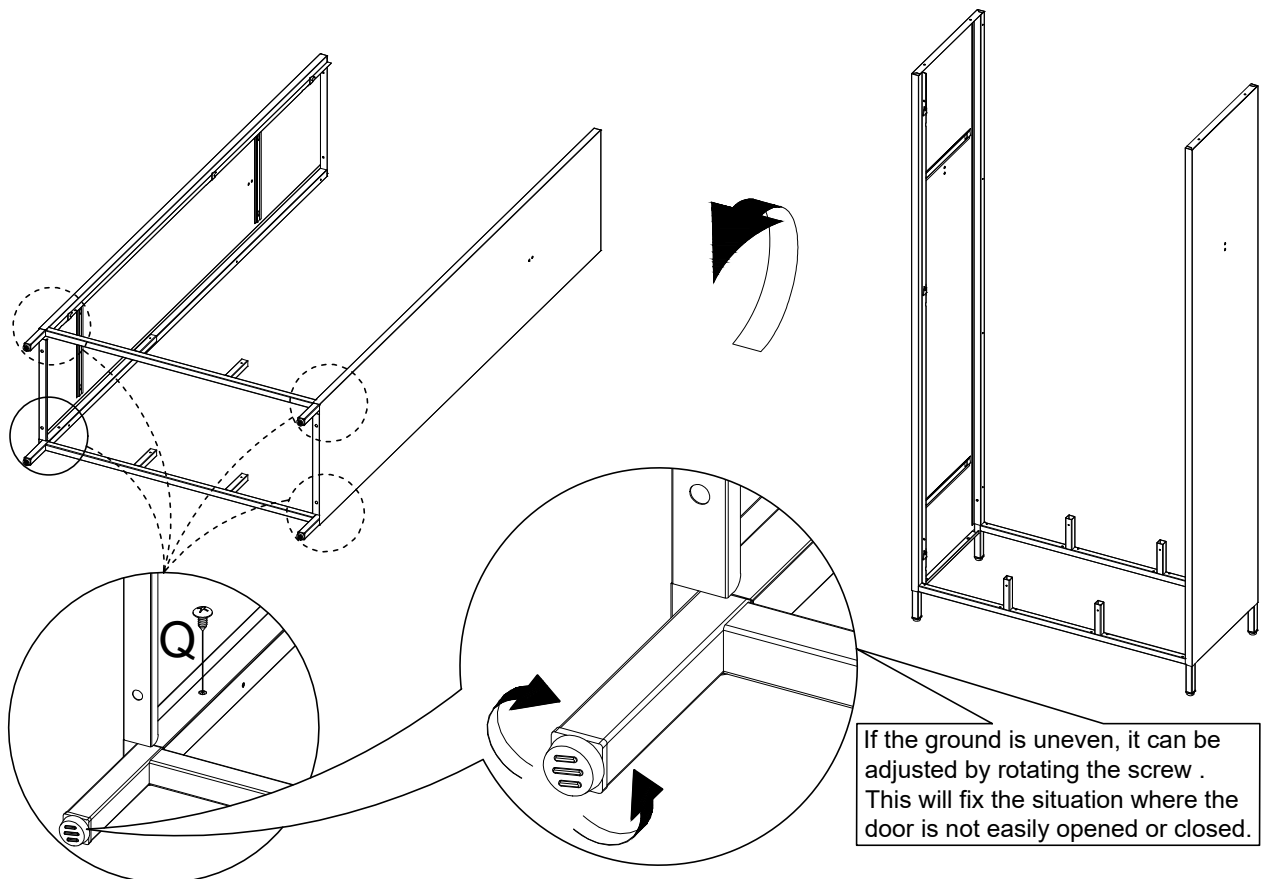
<p>A×1</p> 	<p>B×1</p> 	<p>C×2</p> 	<p>D×1</p> 	<p>E×2</p> 		
<p>F×1</p> 	<p>G×1</p> 	<p>H×2</p> 				
<p>J×3</p> 	<p>K×4</p>  <p style="text-align: right;">mm inch</p>					
<p>L×2</p>  <p style="text-align: right;">mm inch</p>	<p>O×6</p> 	<p>P×14</p> 	<p>Q×41</p> 	<p>R×3</p> 		
<p>S×3</p> 	<p>T×9</p> 	<p>U×2</p> 	<p>V×3</p> 	<p>W×3</p>  <p>Standby Application</p>	<p>X×6</p> 	


1

Please distinguish between Part A and Part B by label.

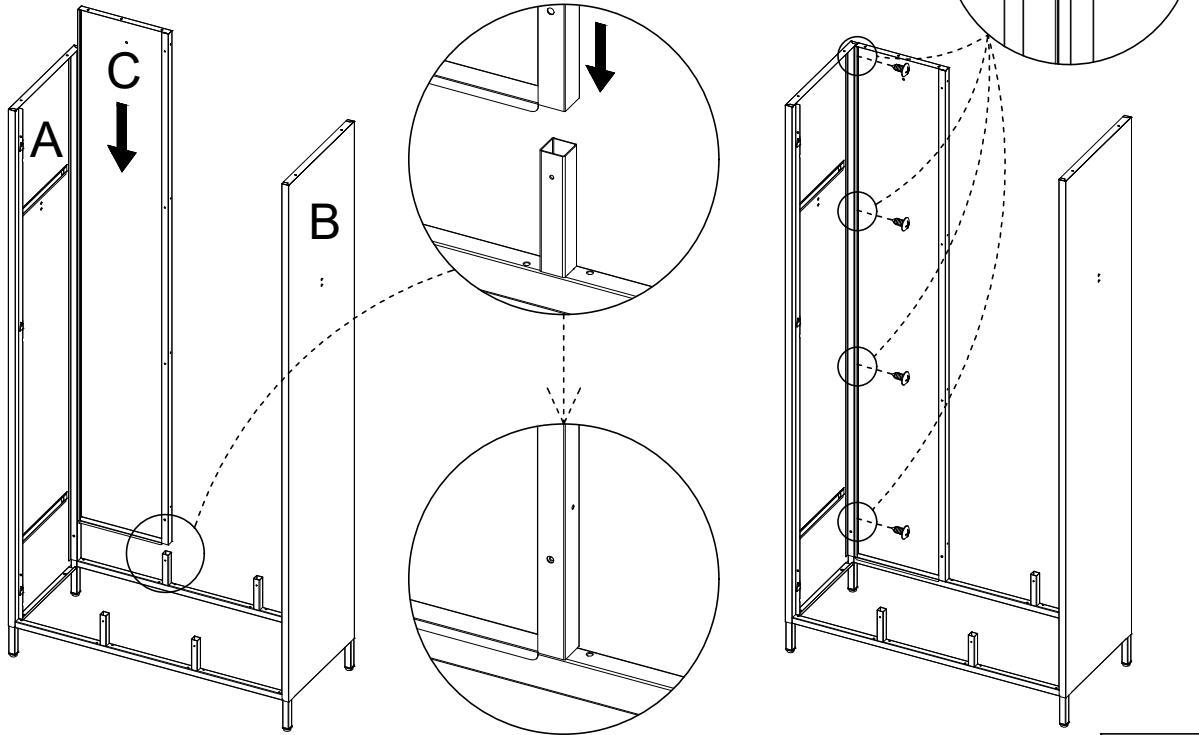



2



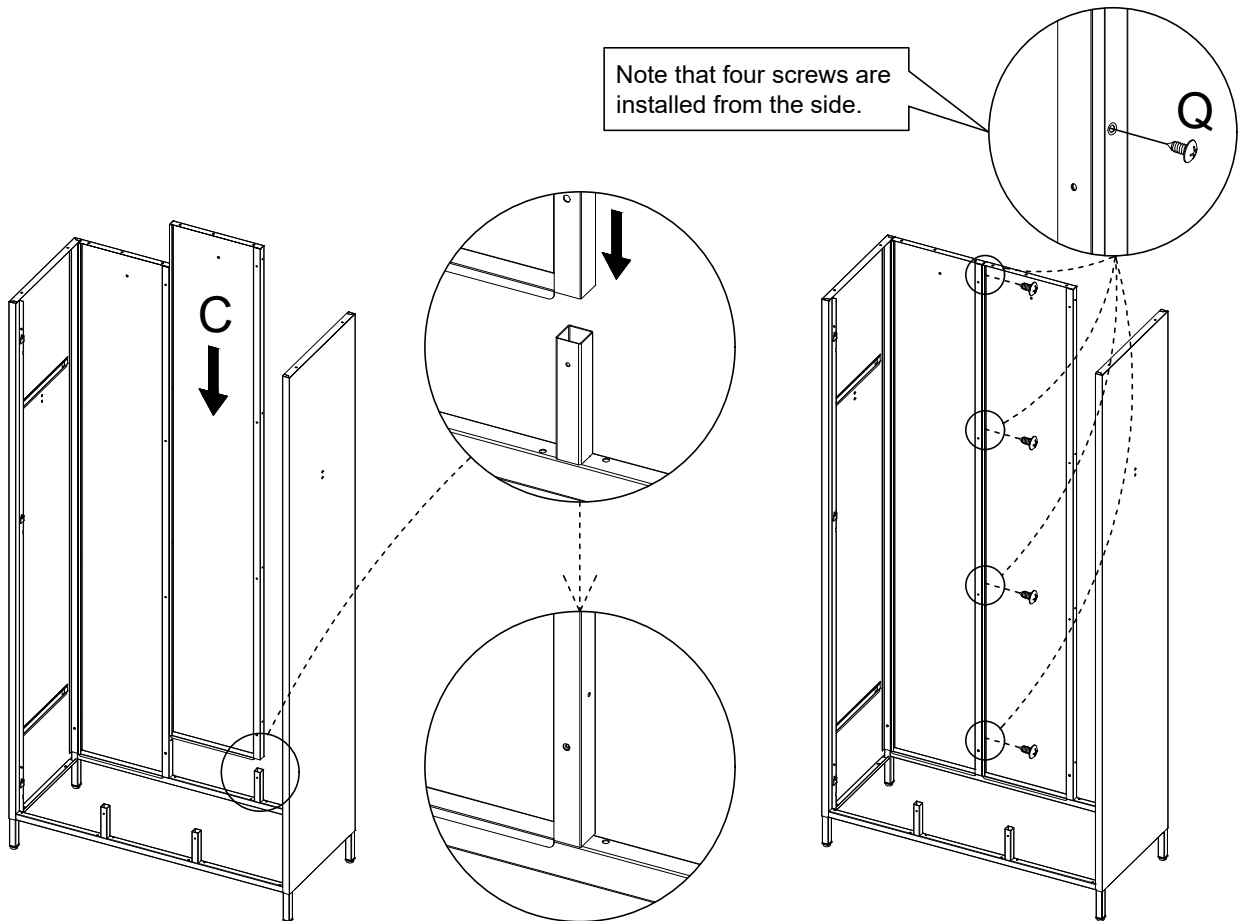
 Q×4

3




 Qx4

4

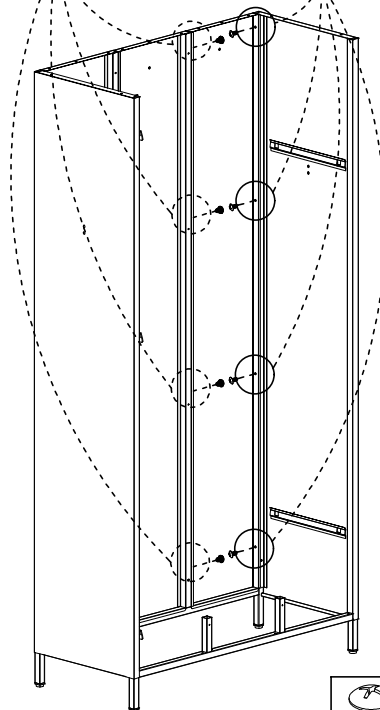
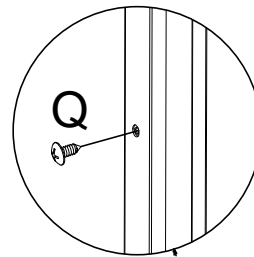
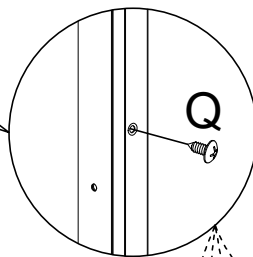
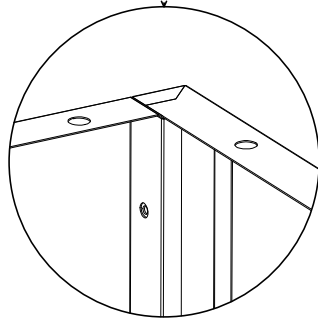
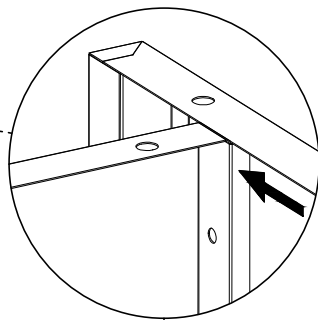
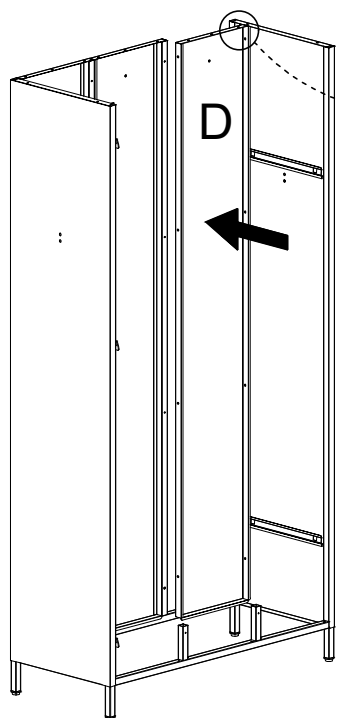



Note that four screws are installed from the side.

 Qx4

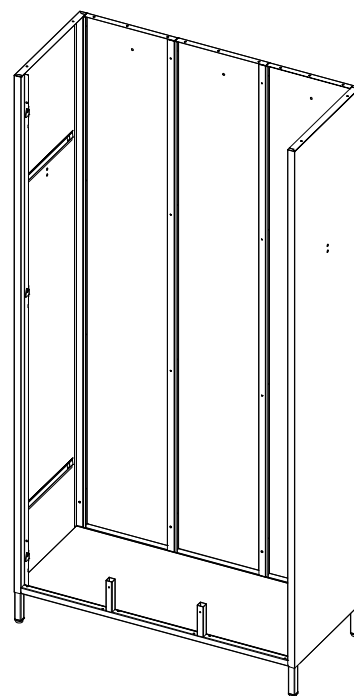
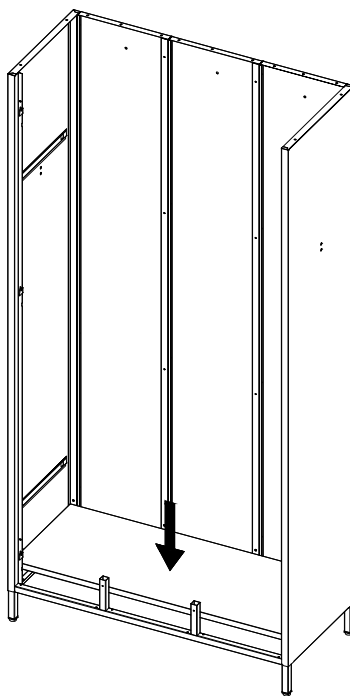
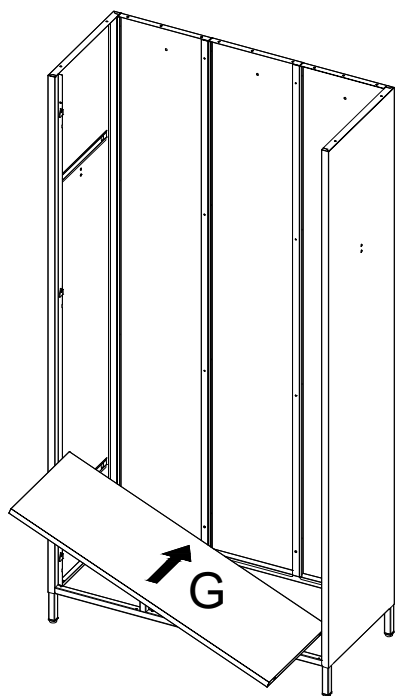
5

Note that four screws are installed from the side.

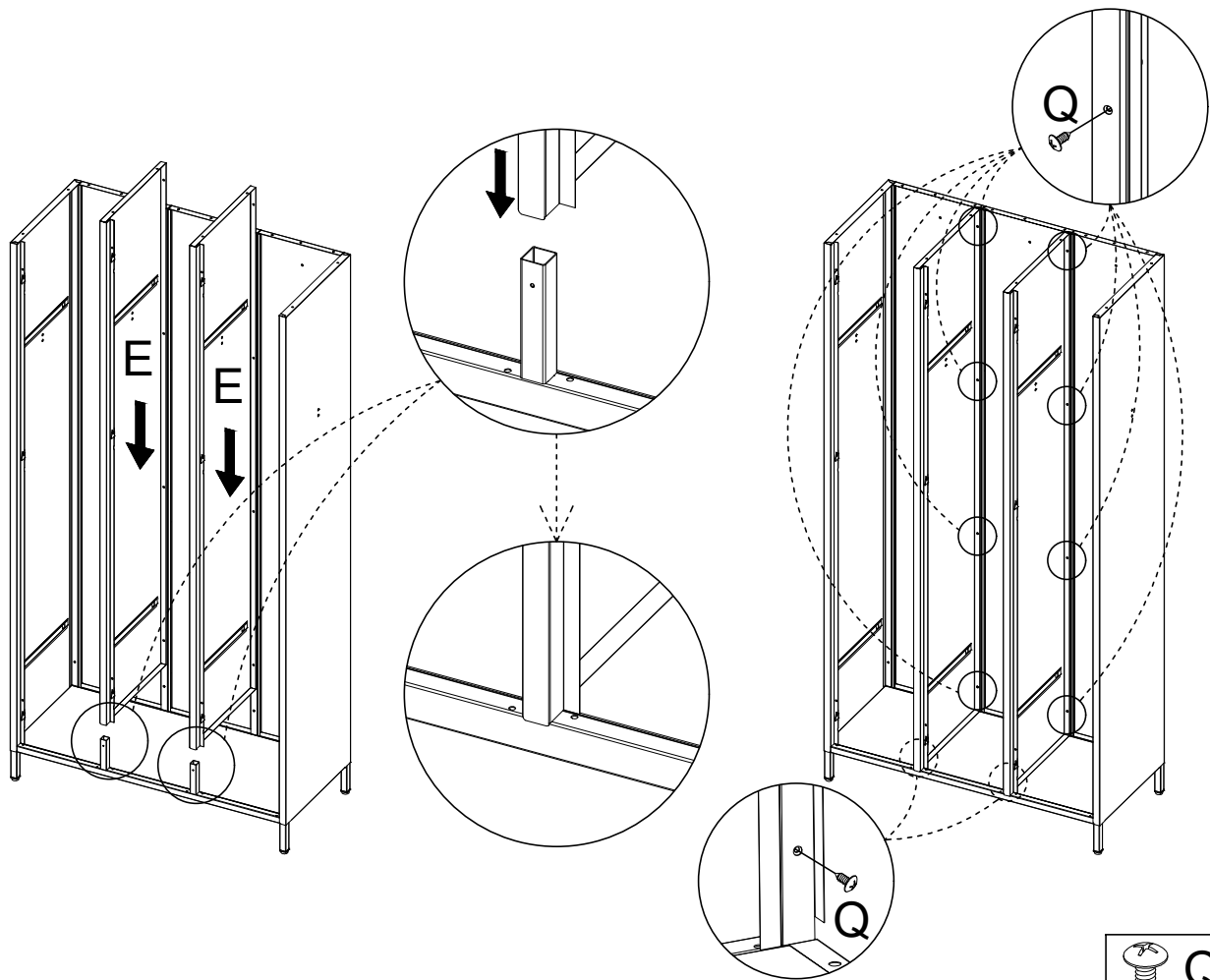



 Q×8

6



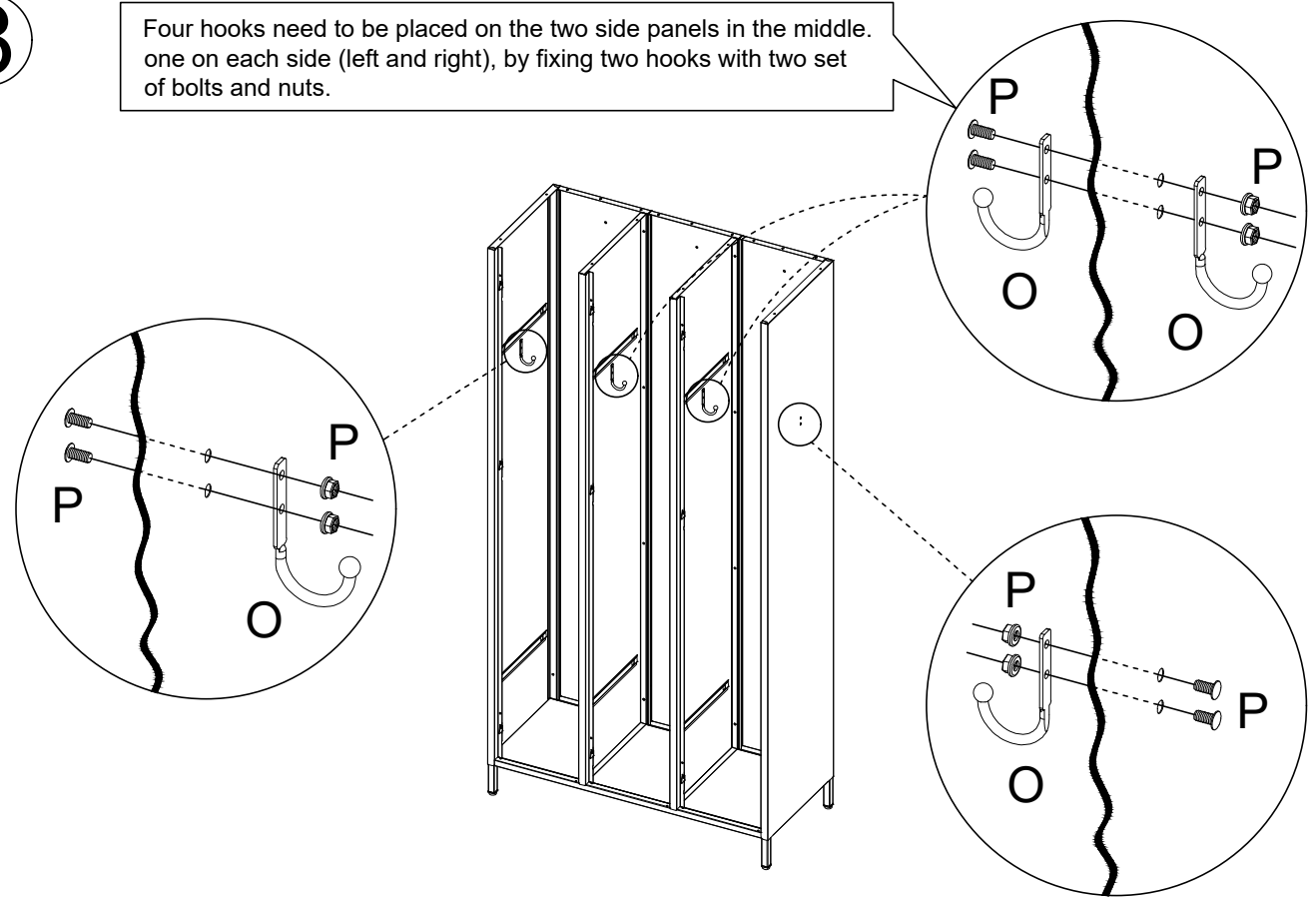
7



 Q×10

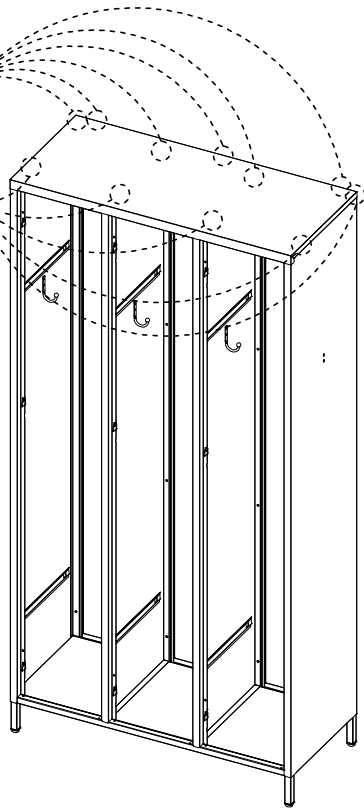
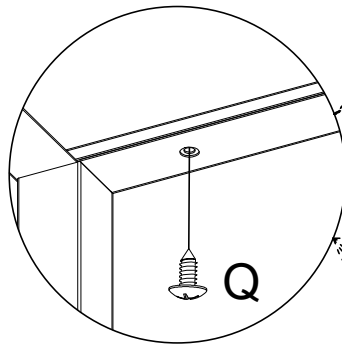
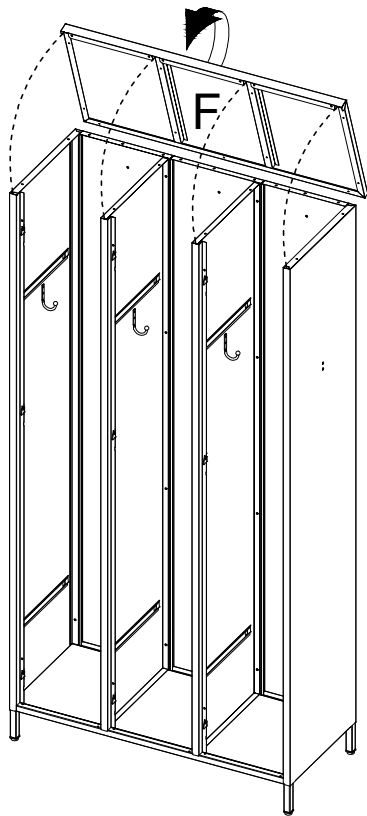
8

Four hooks need to be placed on the two side panels in the middle. one on each side (left and right), by fixing two hooks with two set of bolts and nuts.



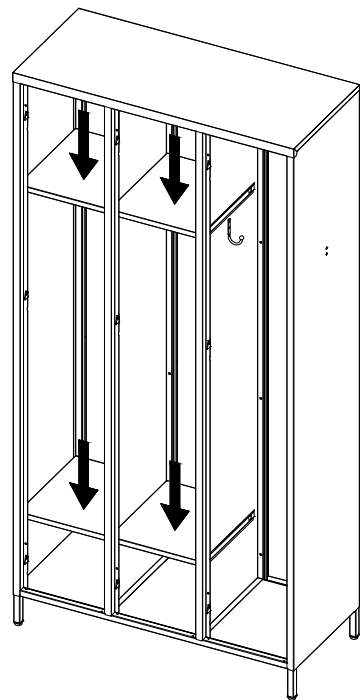
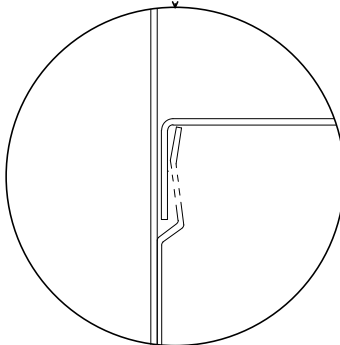
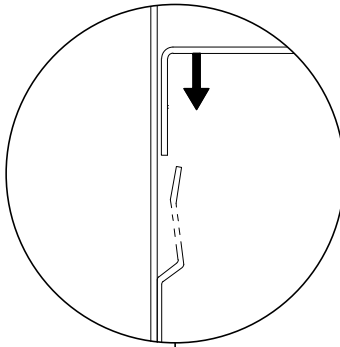
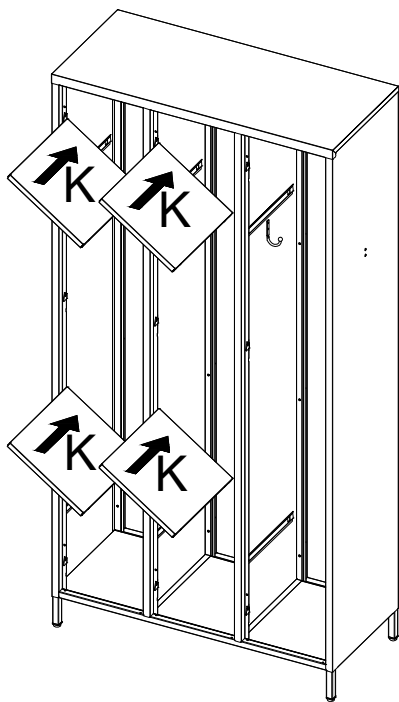
 O×6  P×8

9

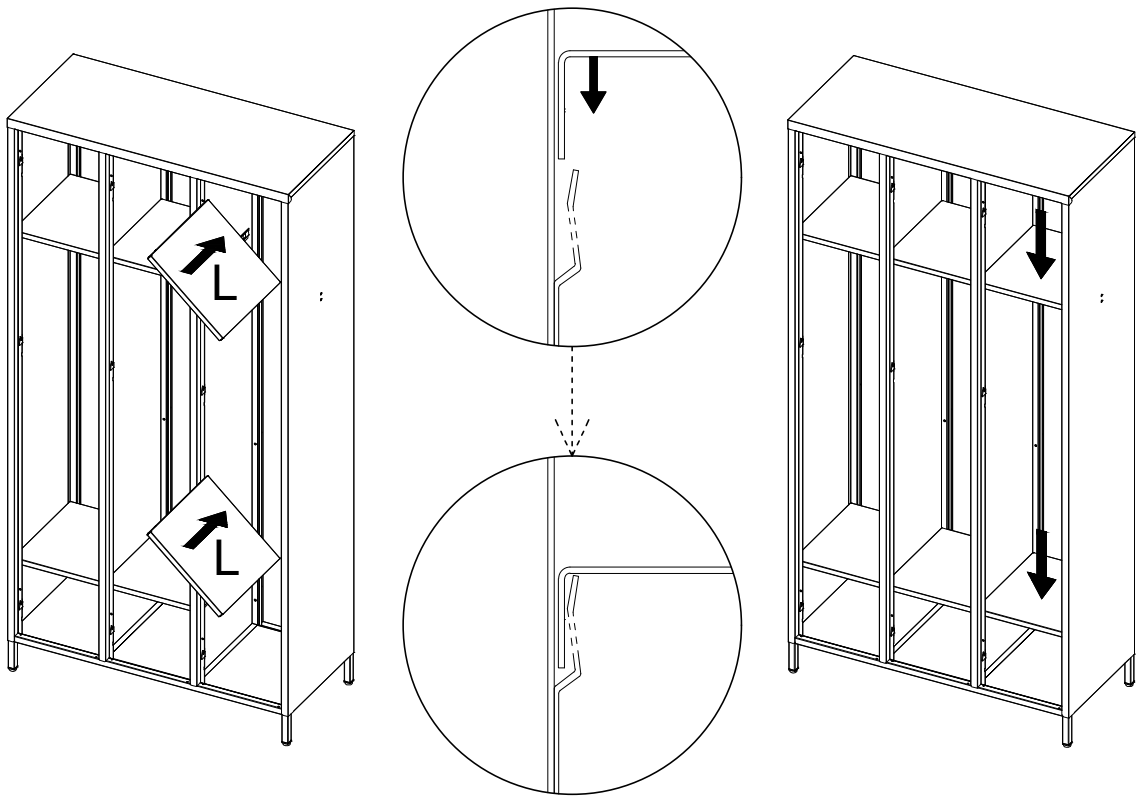


Q×11

10



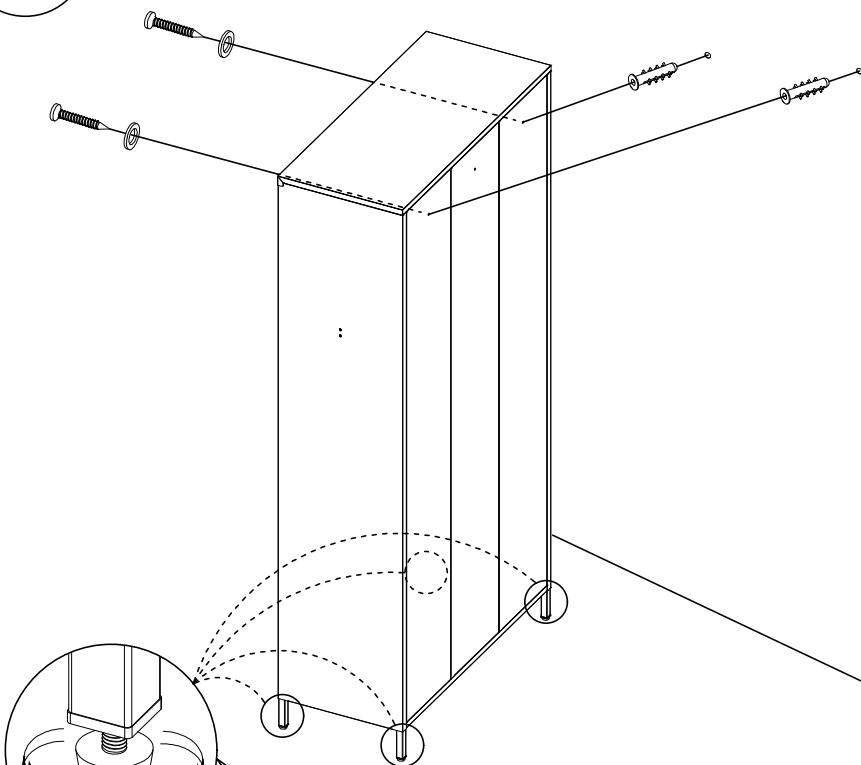
11



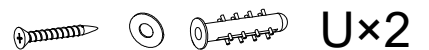
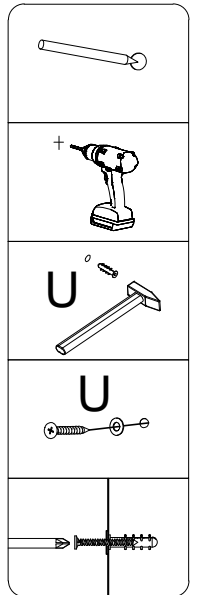
12

The cabinet can be fixed to the wall as needed.

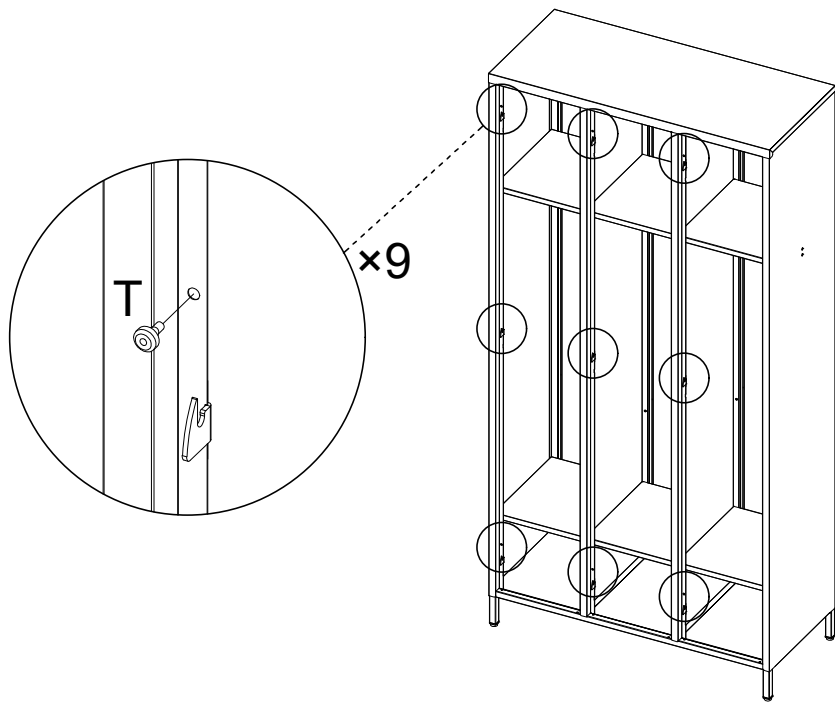
Wall




If the ground is uneven, it can be adjusted by rotating the screw . This will fix the situation where the door is not easily opened or closed.




13

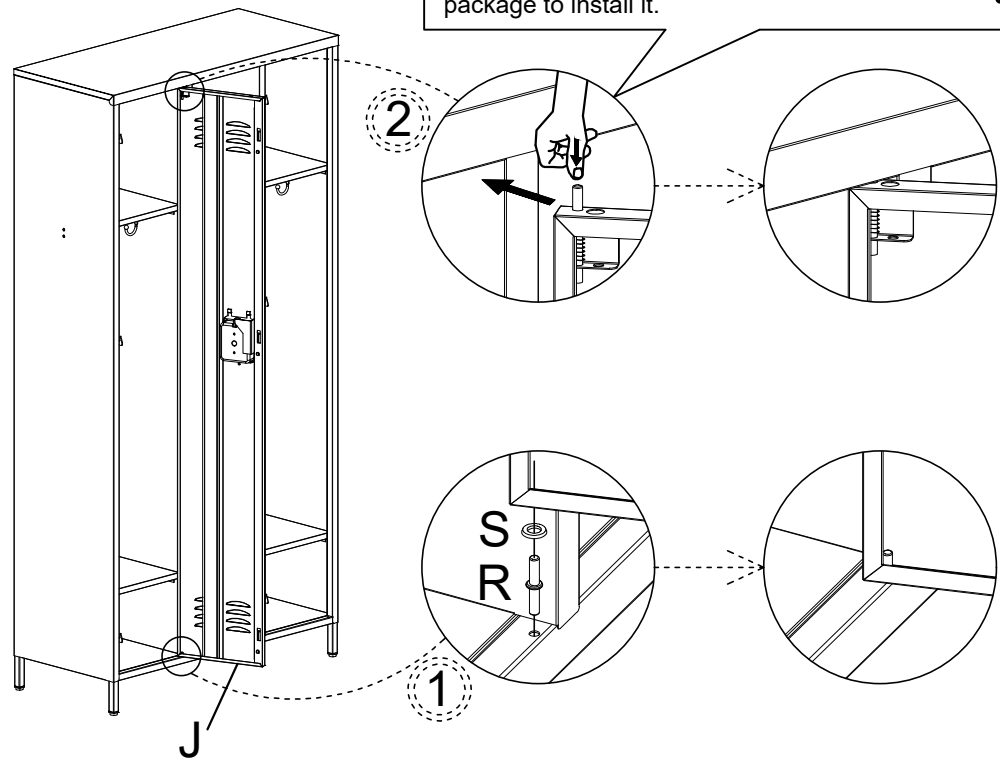


 T×9

14

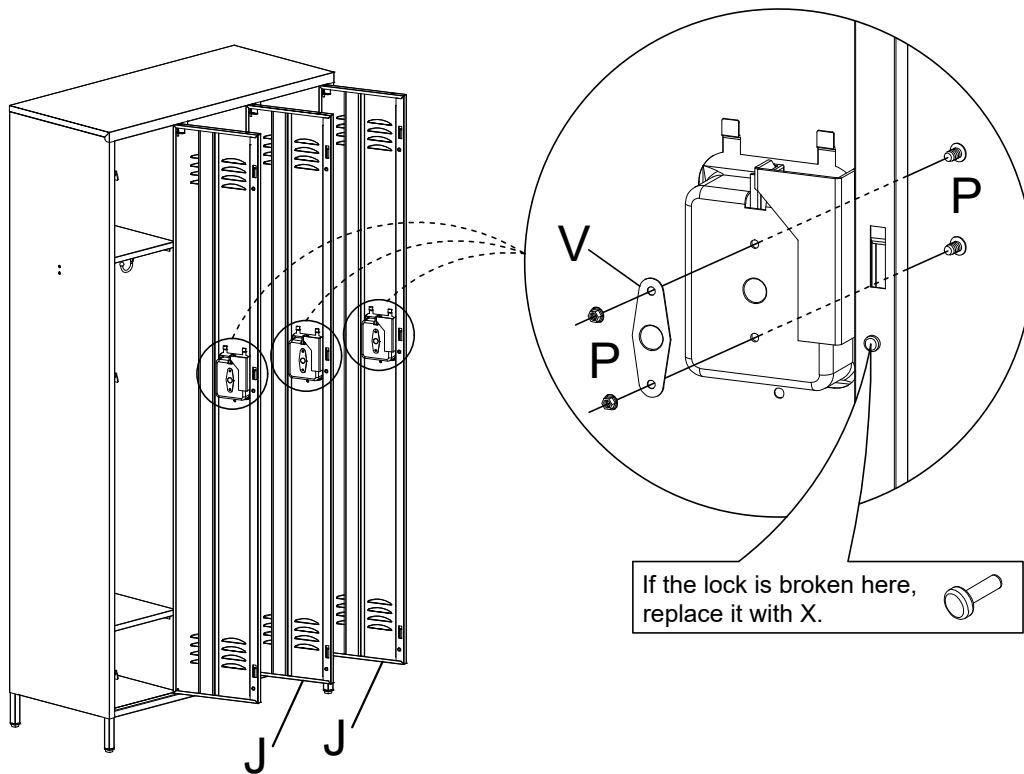
Install the door by first installing the door spindle R and the door spindle pad S, then by pressing the spring shafts on the top of the door.





If the spring screw is missing from the door, you can find the screw W in the hardware package to install it. 



 R×1  S×1

15



 P×6	 R×2	 S×2	 V×3
---	---	---	---

16

