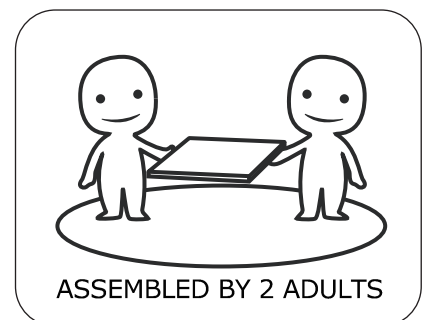
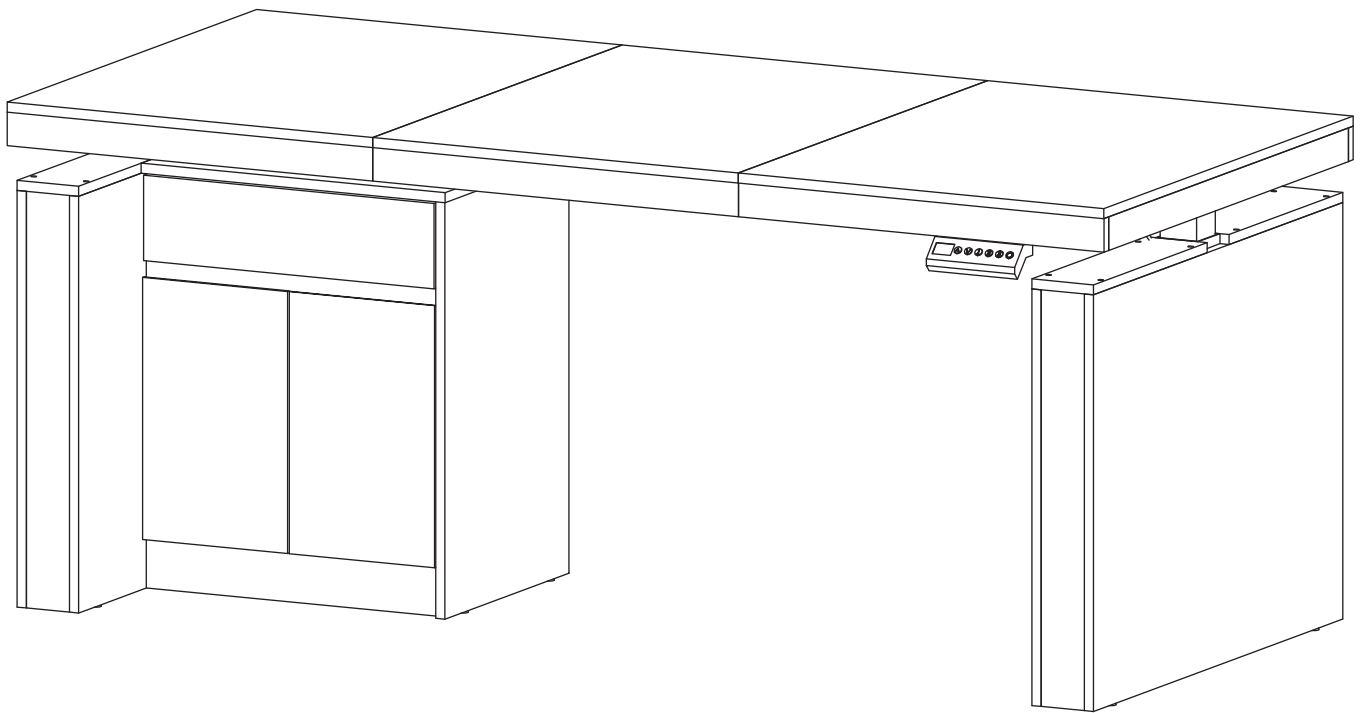


# Office Desk



ASSEMBLED BY 2 ADULTS



### **IMPORTANT INFORMATION!**

please read the entire manual before starting to assemble and/or using this product. follow the manual thoroughly and keep it for further reference.



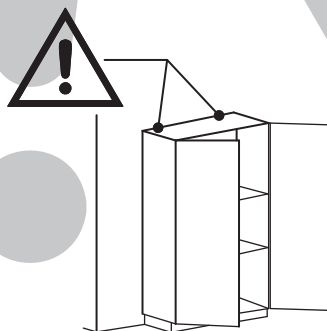
### **AVOID SCRATCHES!**

In order to avoid scratching this furniture should be assembled on a soft layer- could be a rug.



### **IMPROVE EFFICIENCY !**

Try to find a partner to install with you, which can speed up the installation efficiency and shorten the time.



### **ANTI-TOPPLE WARNING !**

Overturned furniture can cause serious or fatal crush injuries. To prevent tipping over, be sure to use the wall attachment, if not included with this product. Please purchase the wall attachment that fit your wall. If unsure, seek professional advice. Please read and follow each step of the instructions carefully.

### **IMPORTANT !**

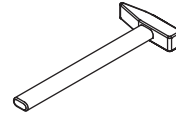
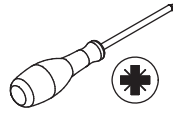
It is important that any product which is assembled using any kind of screw is re-tightened 2 weeks after assembly, and once every 3 months - in order to assure stability through-out the lifespan of the product.

For regular maintenance and cleaning of the product, for the frame, please use a rag dipped in neutral detergent to fully wipe it, and then dry it with a clean rag. For glass materials, wipe with a rag dampened with water glass cleaner, and then dry with a dry rag.

Do not use an electric screwdriver, and do not use too much force when installing, because the board is easy to break.



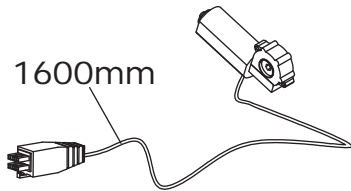
Please prepare the following tools



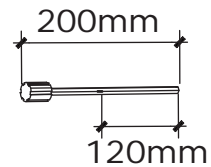
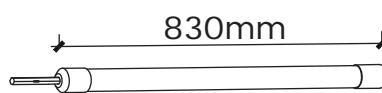
When installing, please carefully confirm whether each screw corresponds to the manual, accessories with similar shapes can be distinguished by size

A x 62  M5 x 42 mm	B x 62  Ø 15 x 12 mm	C x 40  M3.5 x 14 mm	D x 8  M8 x 30 mm	E x 4  M5 x 40 mm
F x 16  Ø 8 x 40 mm	G x 36  M6 x 12 mm	H x 22  M6 x 30 mm	I x 13  M6 x 50 mm	J x 22  M6 mm
K x 16  M7 x 50 mm	L x 4  DW	M x 2  M4 x 45 mm	N x 2  M4 mm	O x 2  Ø 14 x Ø 5 x 0.8 mm
P x 4  Ø 7 x 9 mm	Q x 2  M3.5 x 16 mm	x 1  #5	x 1  #4	x 1  10mm 12mm
x 1  M4				

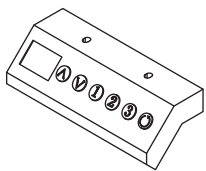
7



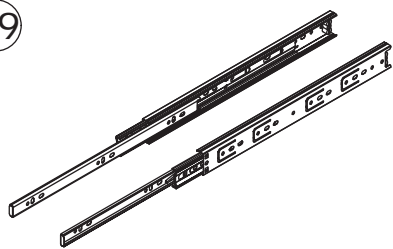
8



9

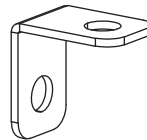


39

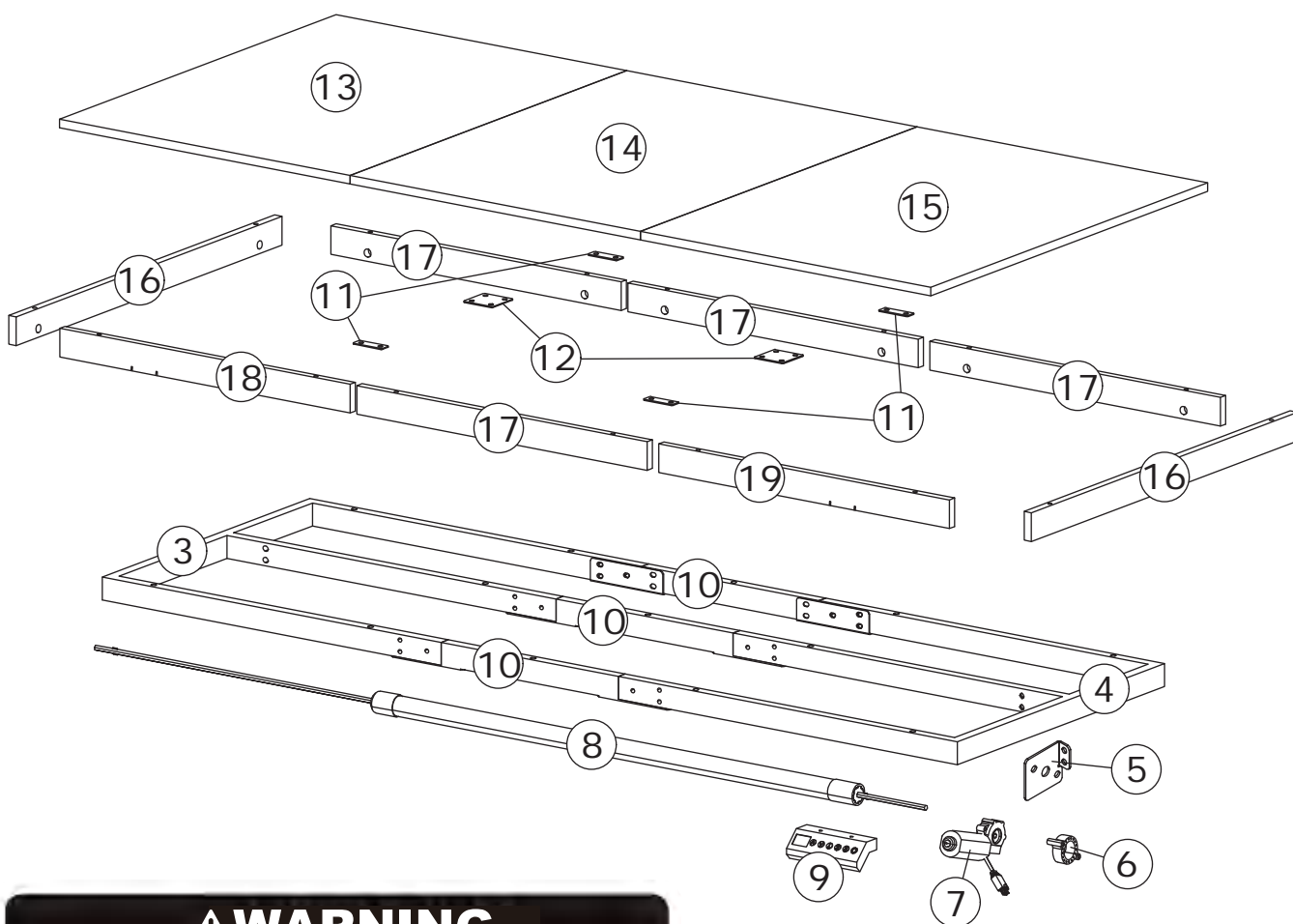
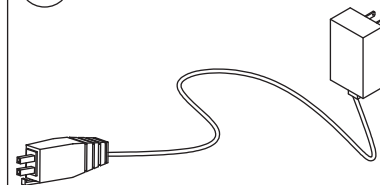


3508-14"

40



41



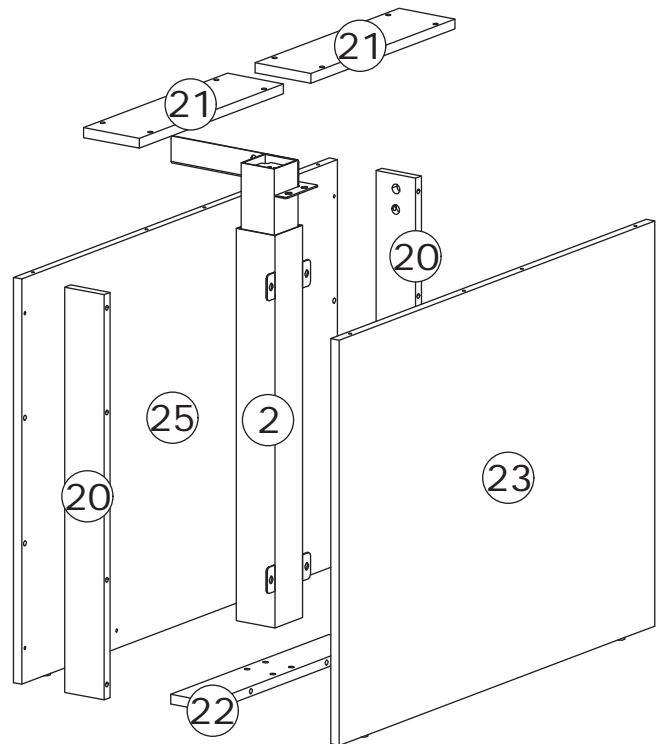
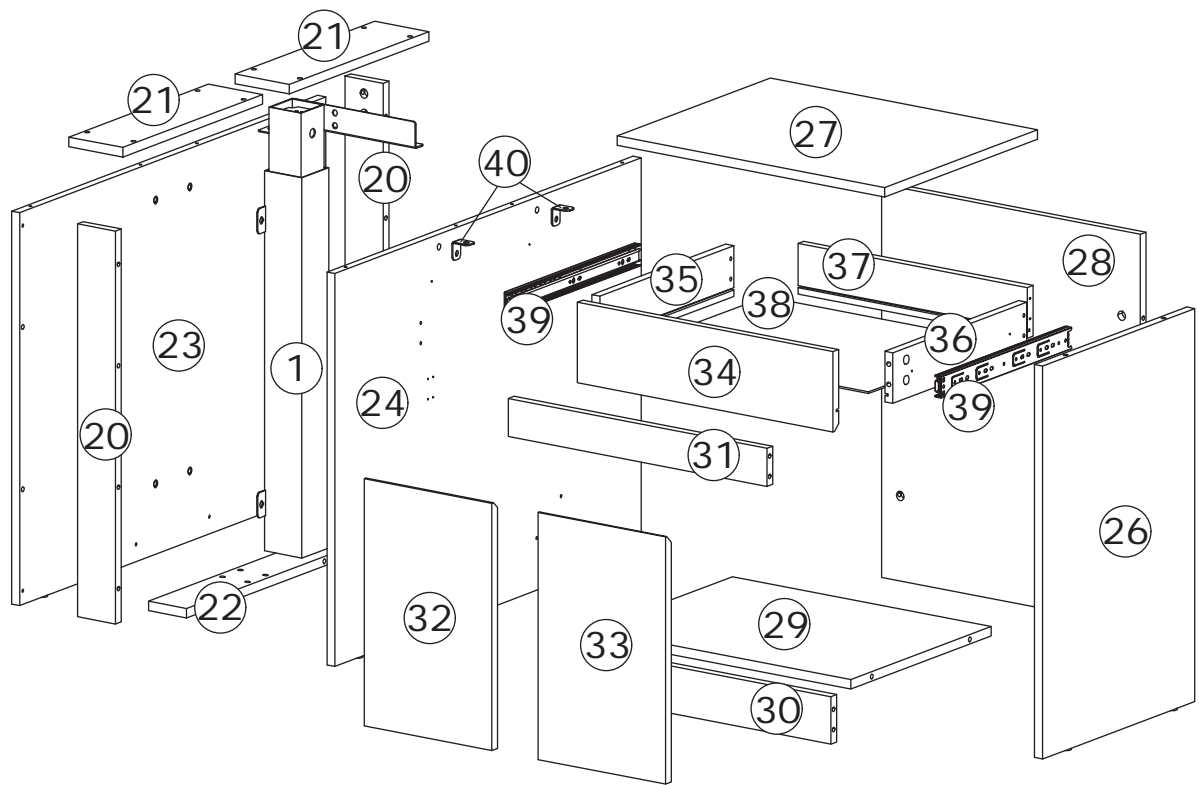
### ⚠ WARNING



**Children have died from furniture tipover. To reduce the risk of furniture tipover:**

- ALWAYS install tipover restraint provided.
- NEVER put a TV on this product.
- NEVER allow children to stand, climb or hang on drawers, doors, or shelves.
- NEVER open more than one drawer at a time.
- Place heaviest items in the lowest drawers.

*This is a permanent label.  
Do not remove!*



## ⚠ WARNING



**Children have died from furniture tipover. To reduce the risk of furniture tipover:**

- ALWAYS install tipover restraint provided.
- NEVER put a TV on this product.
- NEVER allow children to stand, climb or hang on drawers, doors, or shelves.
- NEVER open more than one drawer at a time.
- Place heaviest items in the lowest drawers.

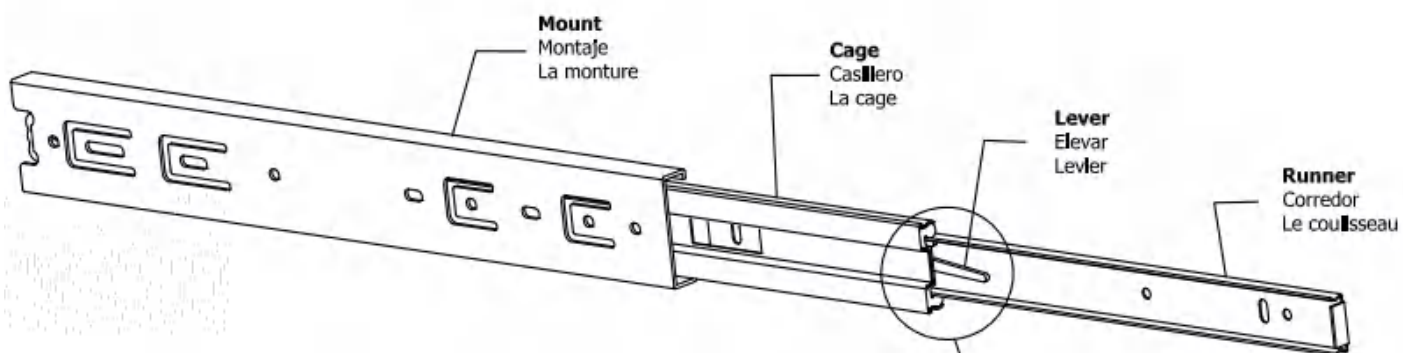


*This is a permanent label.  
Do not remove!*

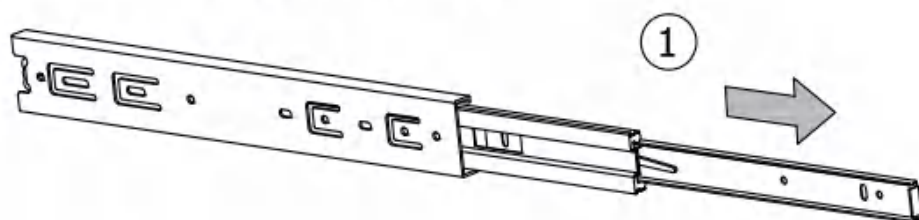
**Slides Must Be Separated Before Assembly.  
After Separated, Set Aside Until Needed for Assembly.**

Las diapositivas deben separarse antes del montaje.  
Después de la separación, déjelo a un lado hasta que sea necesario.

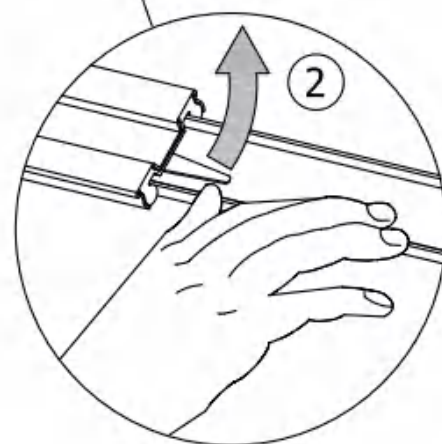
Les glissières doivent être séparées avant l'assemblage.  
Après la séparation, mettez de côté jusqu'au moment de l'assemblage.



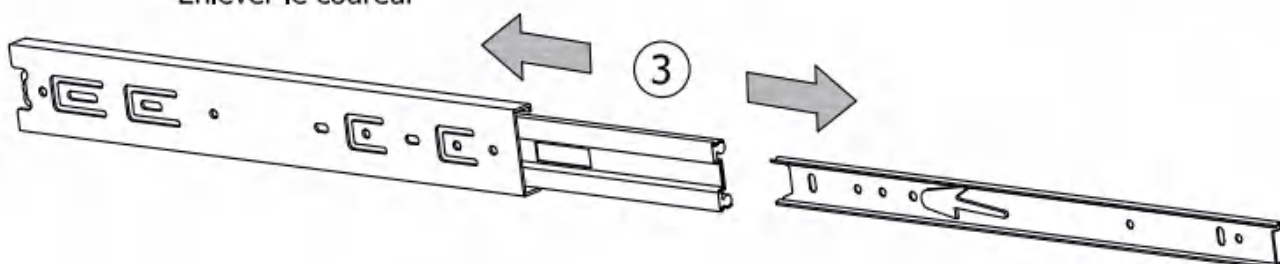
**STEP 1: Extend Slide**  
Extender la diapositiva  
Extendre la diapositive



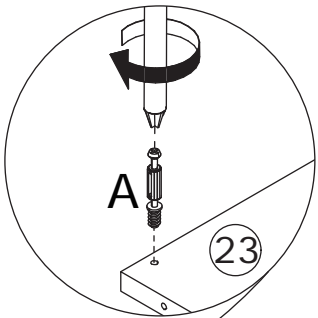
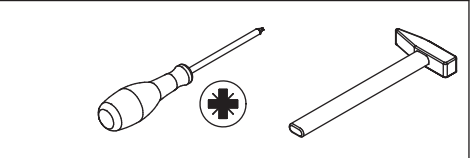
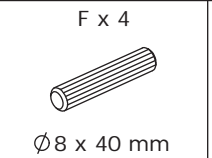
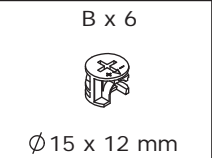
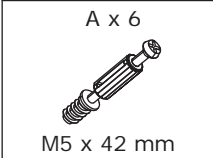
**STEP 2: Push Lever UP**  
Empujar hacia arriba  
Lever le levier



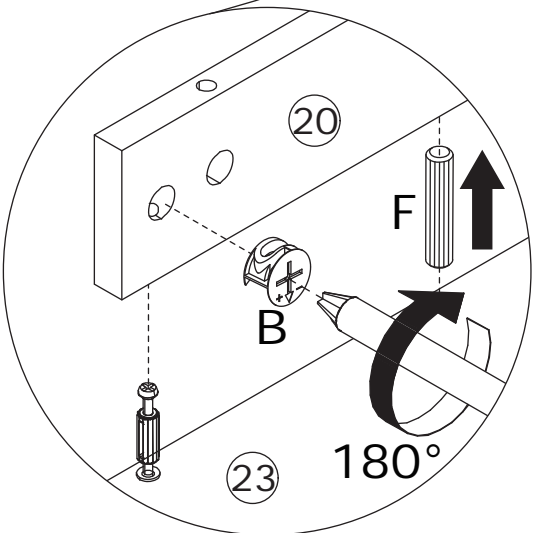
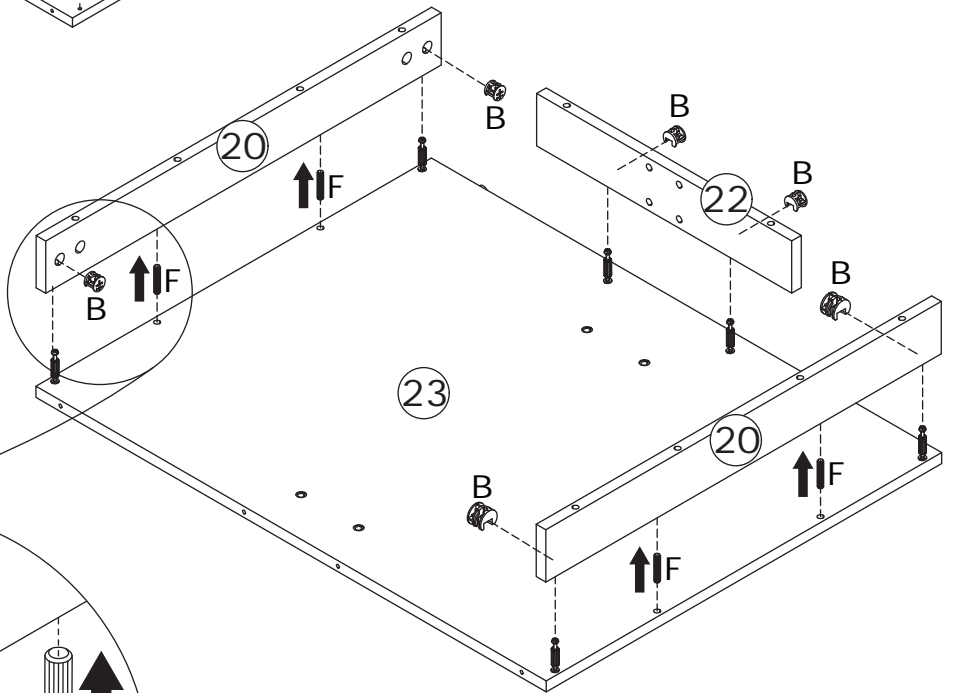
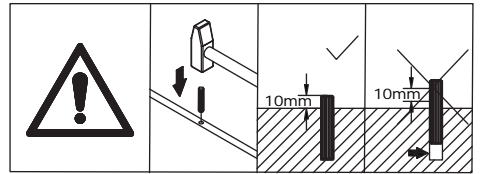
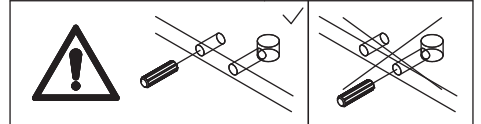
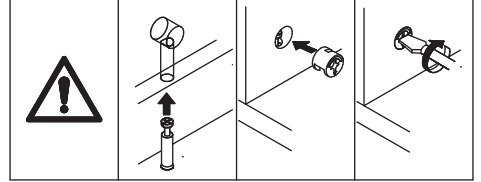
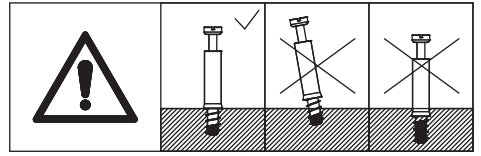
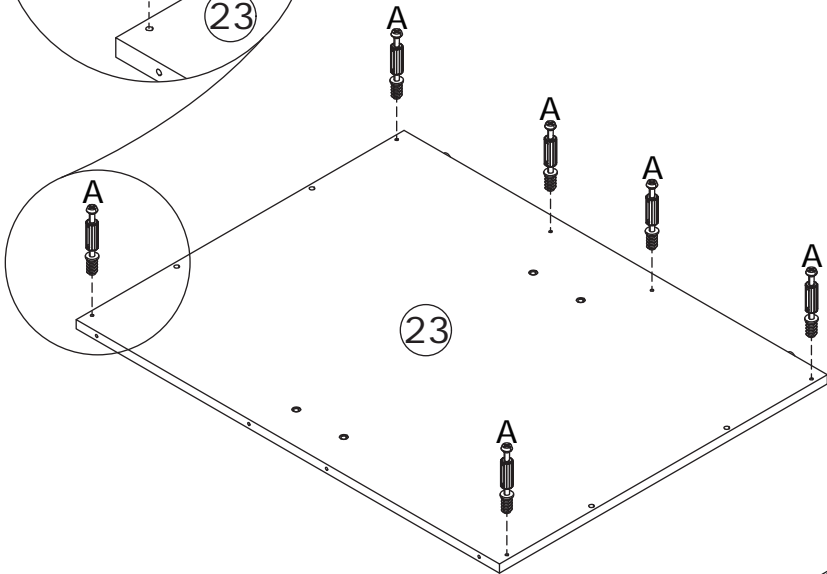
**STEP 3: Remove Runner**  
Quitar el corredor  
Enlever le coureur



1



Screw eccentric rod(A) into board 23 with a screwdriver at first.

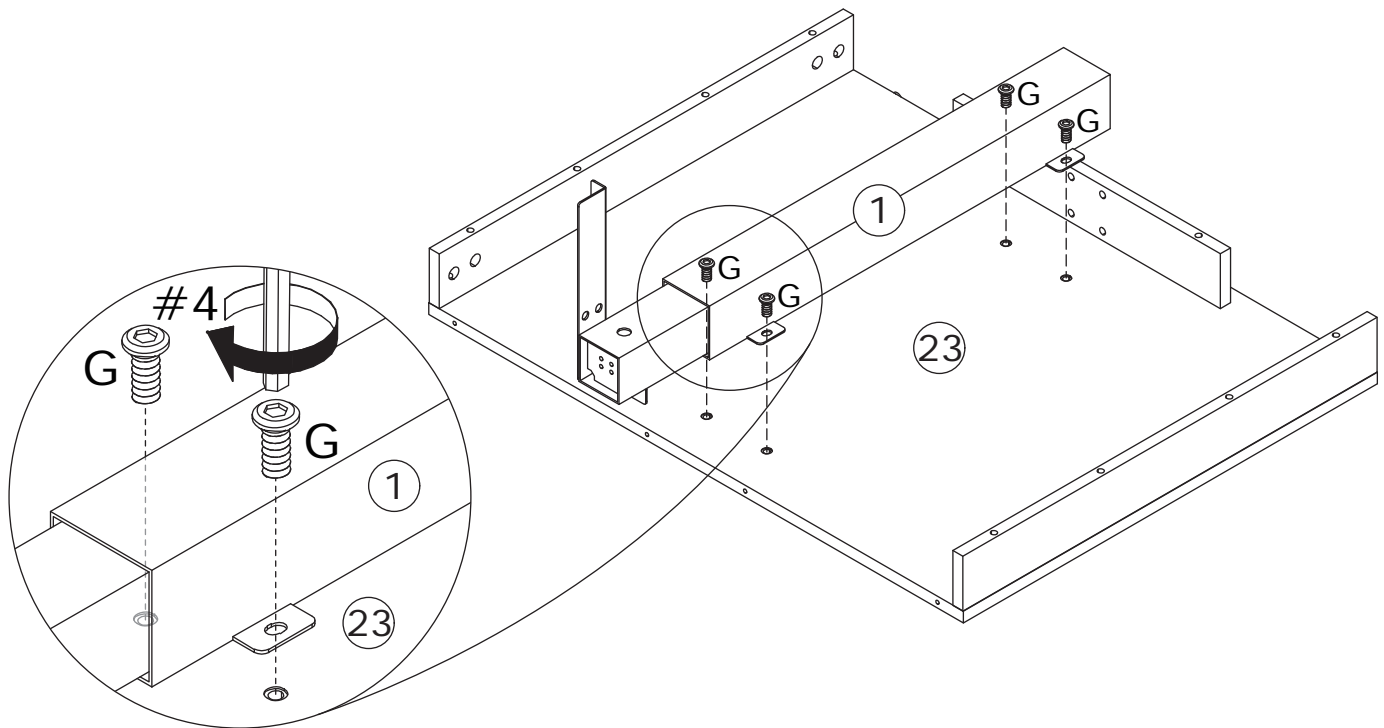


Insert wooden dowel(F) into board 20 at first.

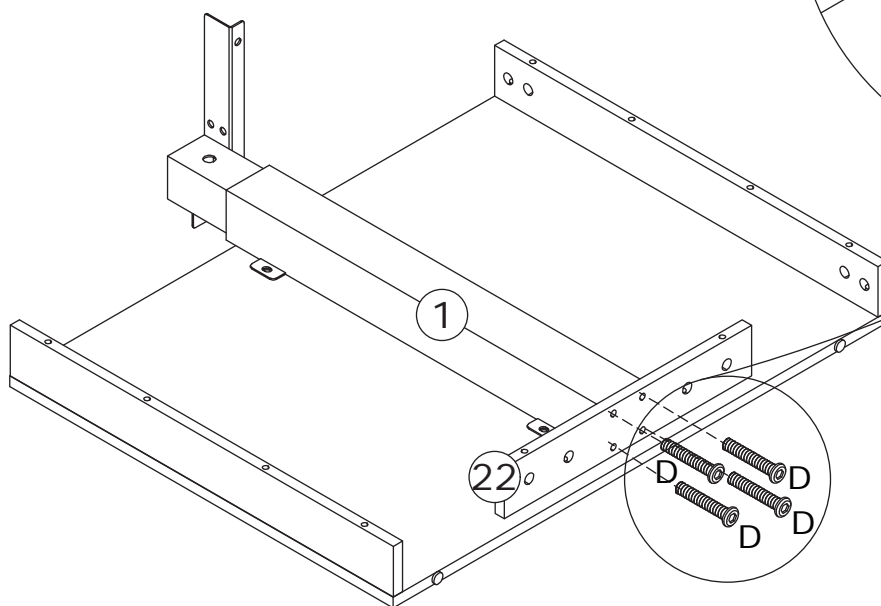
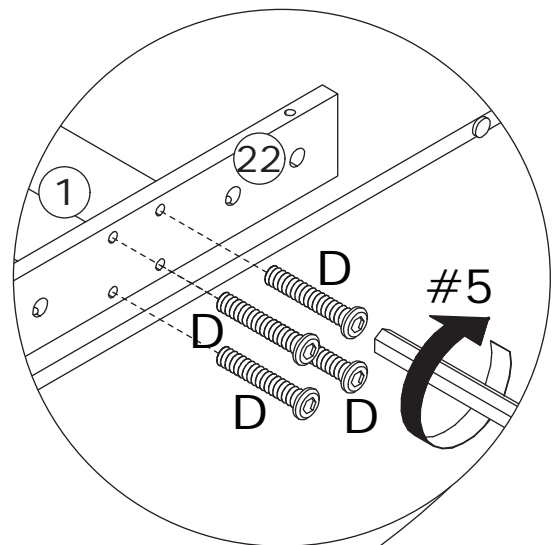
Attach board 20 and 22 to board 23, add cam lock(B) into board 20,22 and turn clockwise to tighten as shown.

2

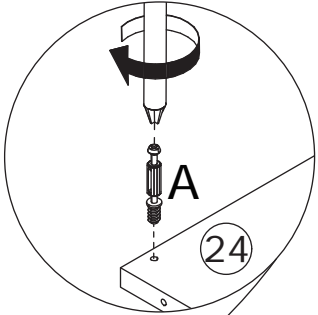
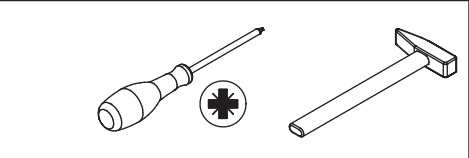
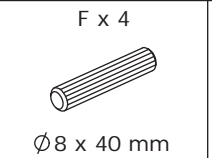
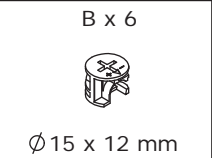
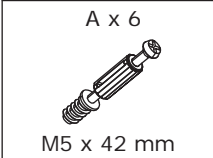
D x 4 M8 x 30 mm	G x 4 M6 x 12 mm	x 1 #5	x 1 #4	
---------------------	---------------------	-----------	-----------	--



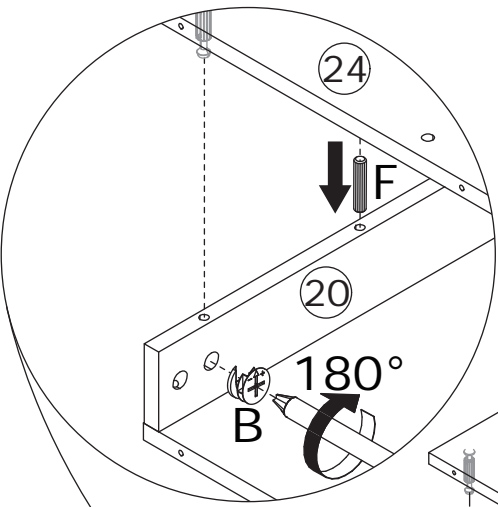
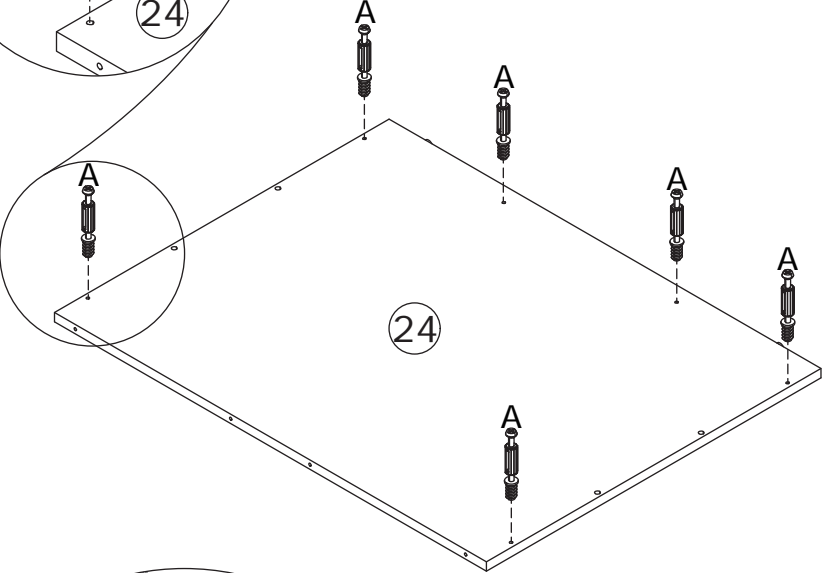
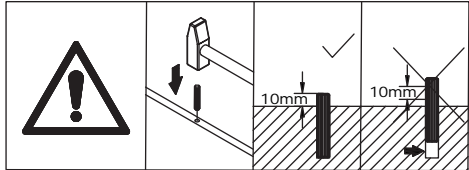
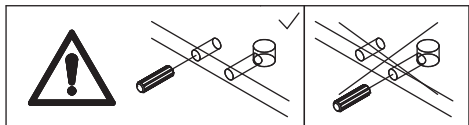
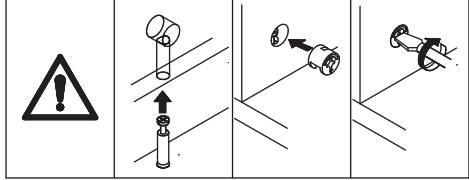
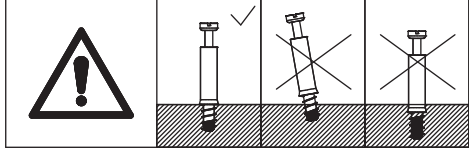
Fix part 1 to board 23  
with screw(G) as shown.  
Fix part 1 to board 22  
with screw(D) as shown.



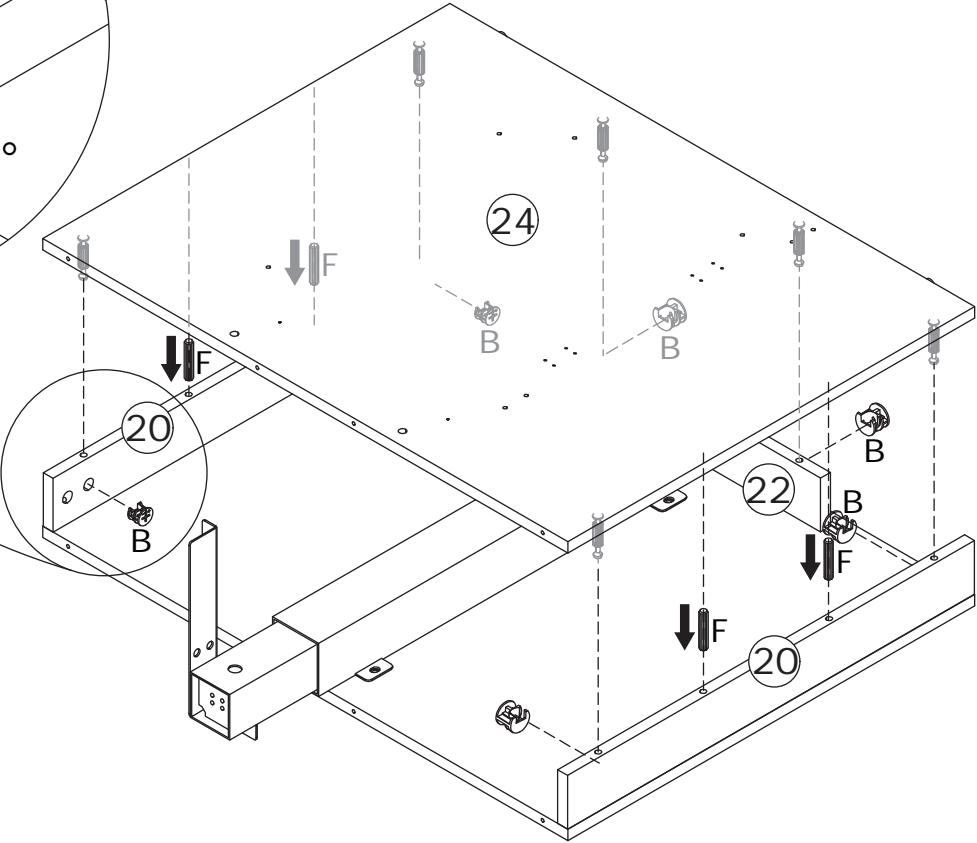
3



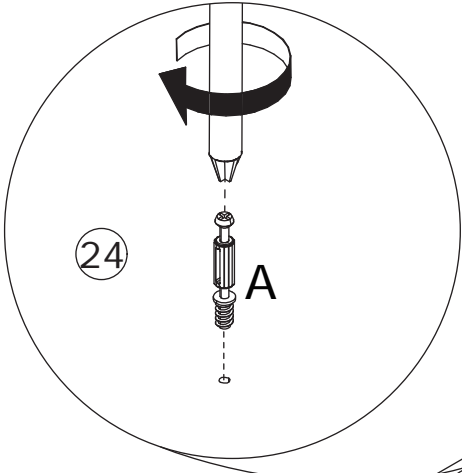
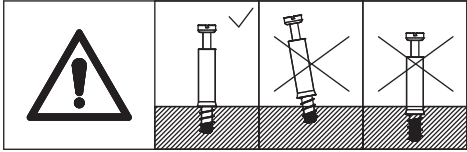
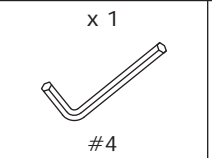
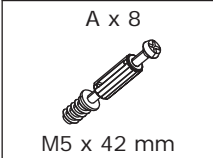
Screw eccentric rod(A)  
into board 24 at first.



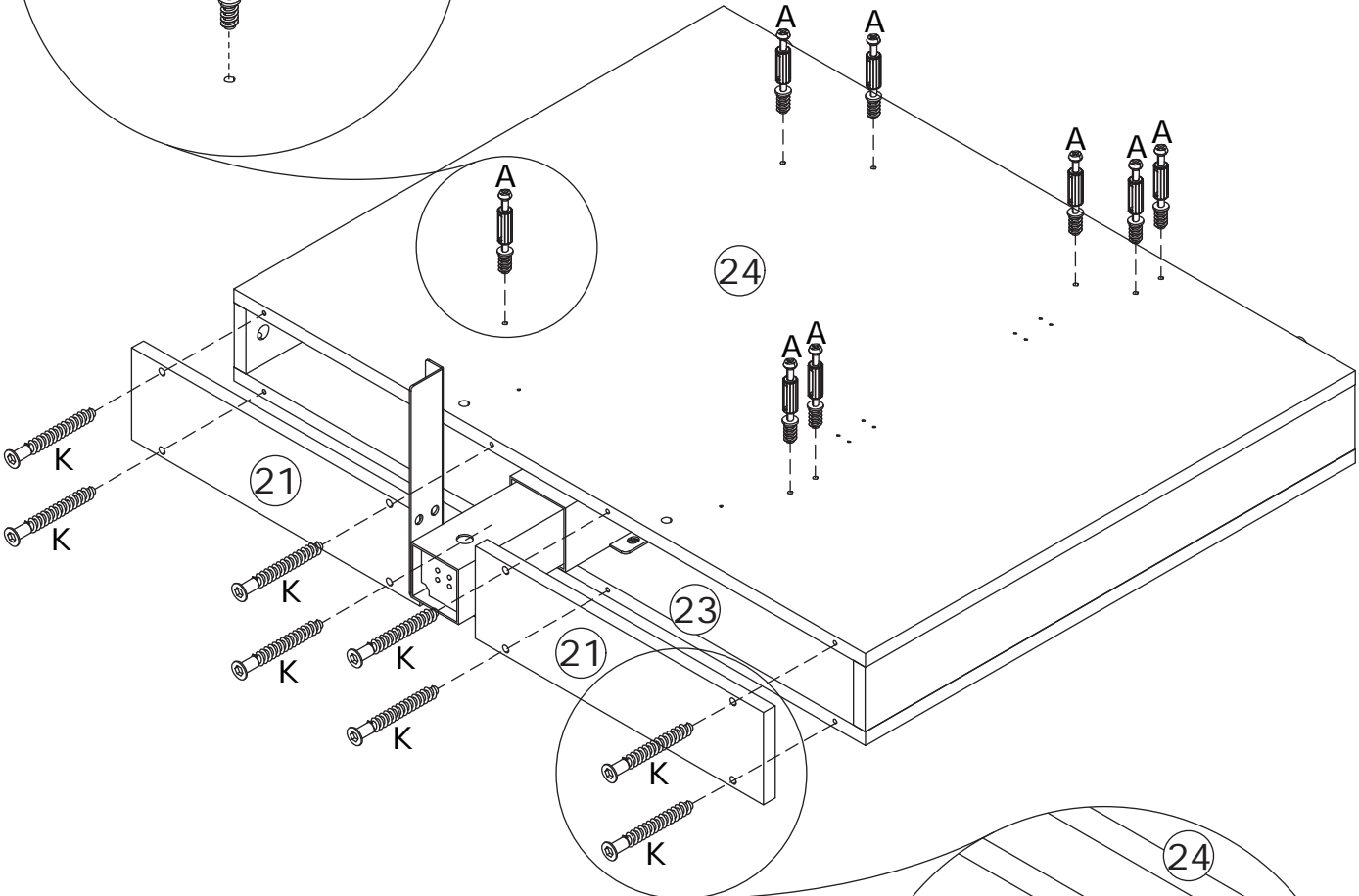
Insert wooden dowel(F) into board 20 at first.  
Attach board 24 to board 20 and 22 , add cam  
lock(B) into board 20,22 and turn clockwise to  
tighten as shown.



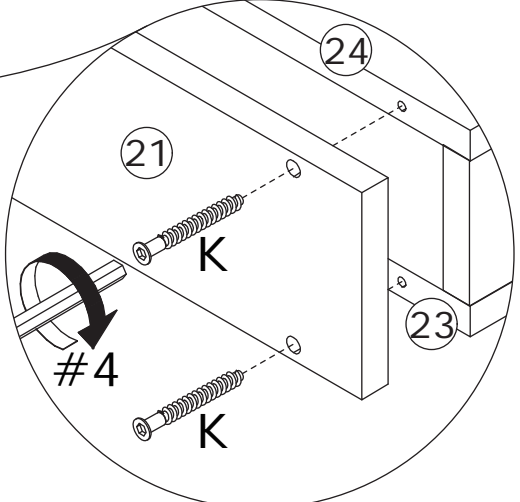
4



Screw eccentric rod(A)  
into board 24 at first.



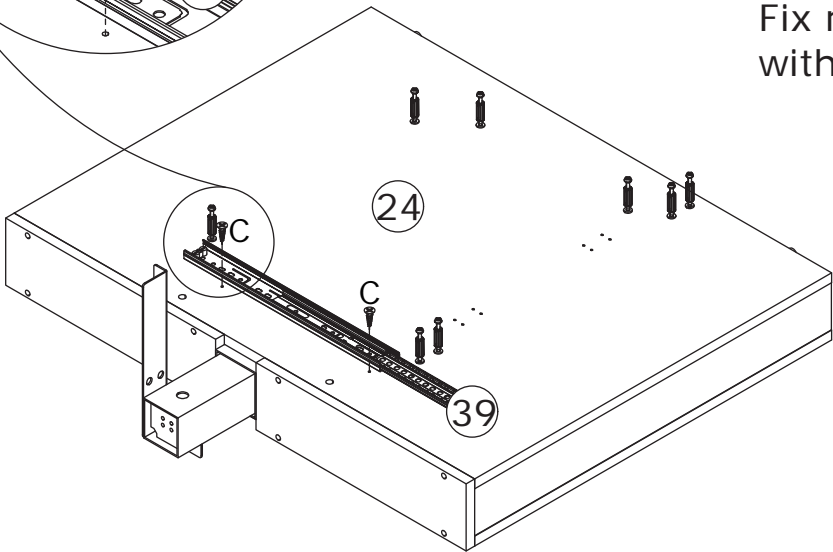
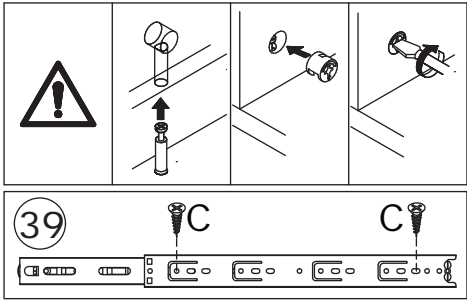
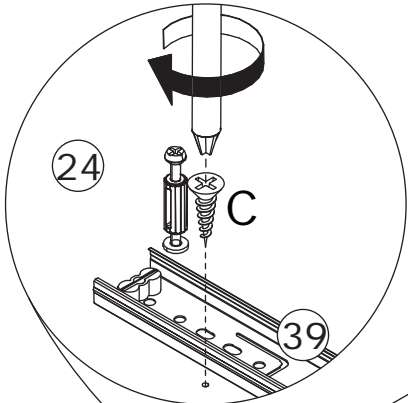
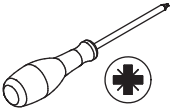
Fix board 21 to board 23  
and 24 with screw(K) as  
shown.



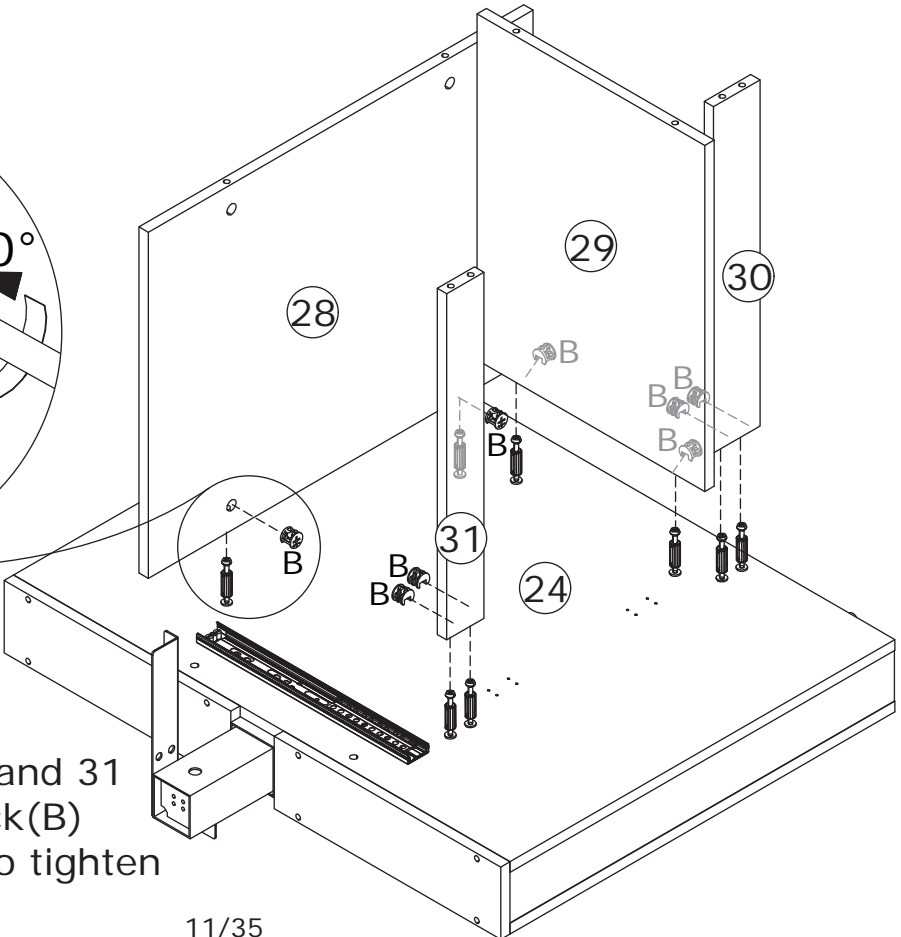
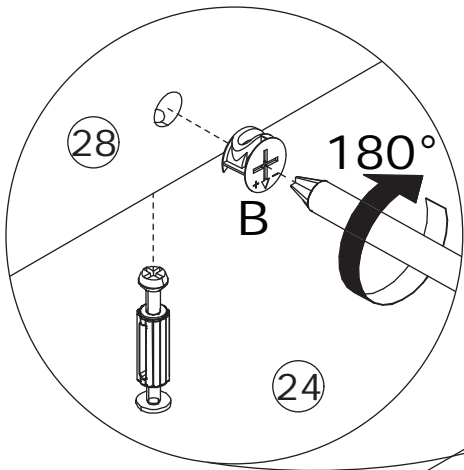
5

B x 8  
Ø 15 x 12 mm

C x 2  
M3.5 x 14 mm

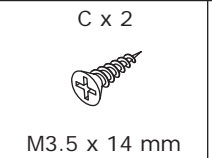
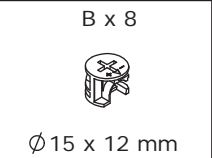
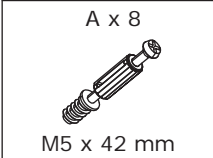


Fix rail 39 to board 24 with screw(C) as shown.



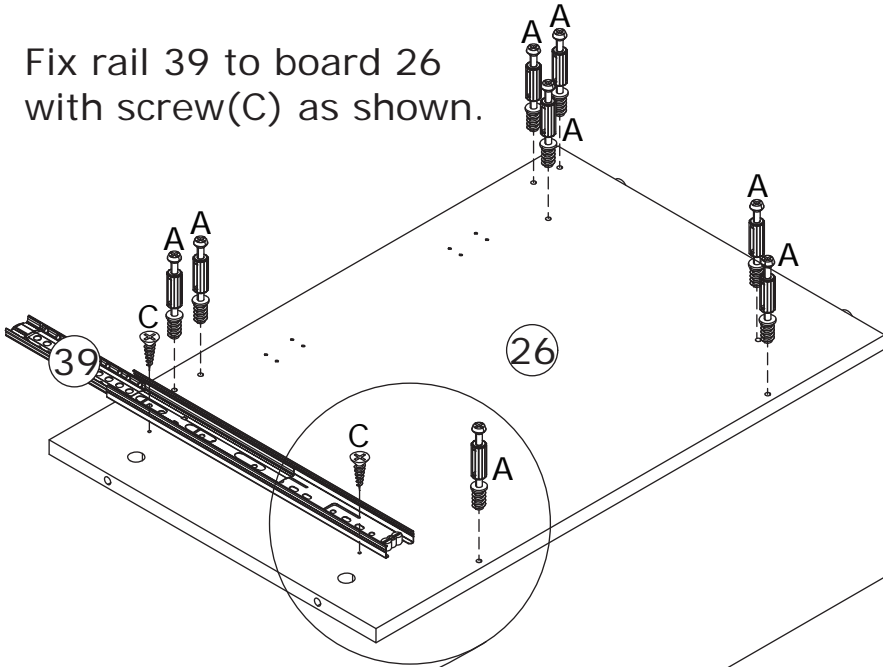
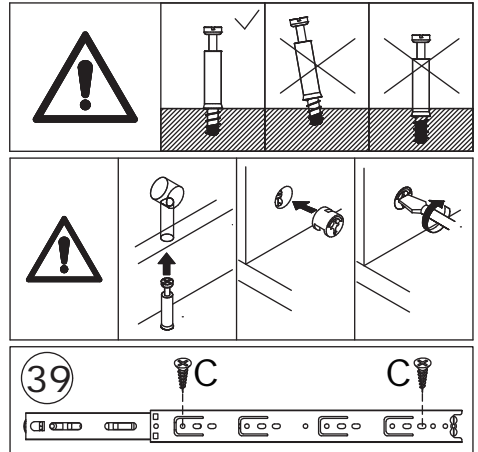
Attach board 28, 29, 30 and 31 to board 24, add cam lock(B) into and turn clockwise to tighten as shown.

6

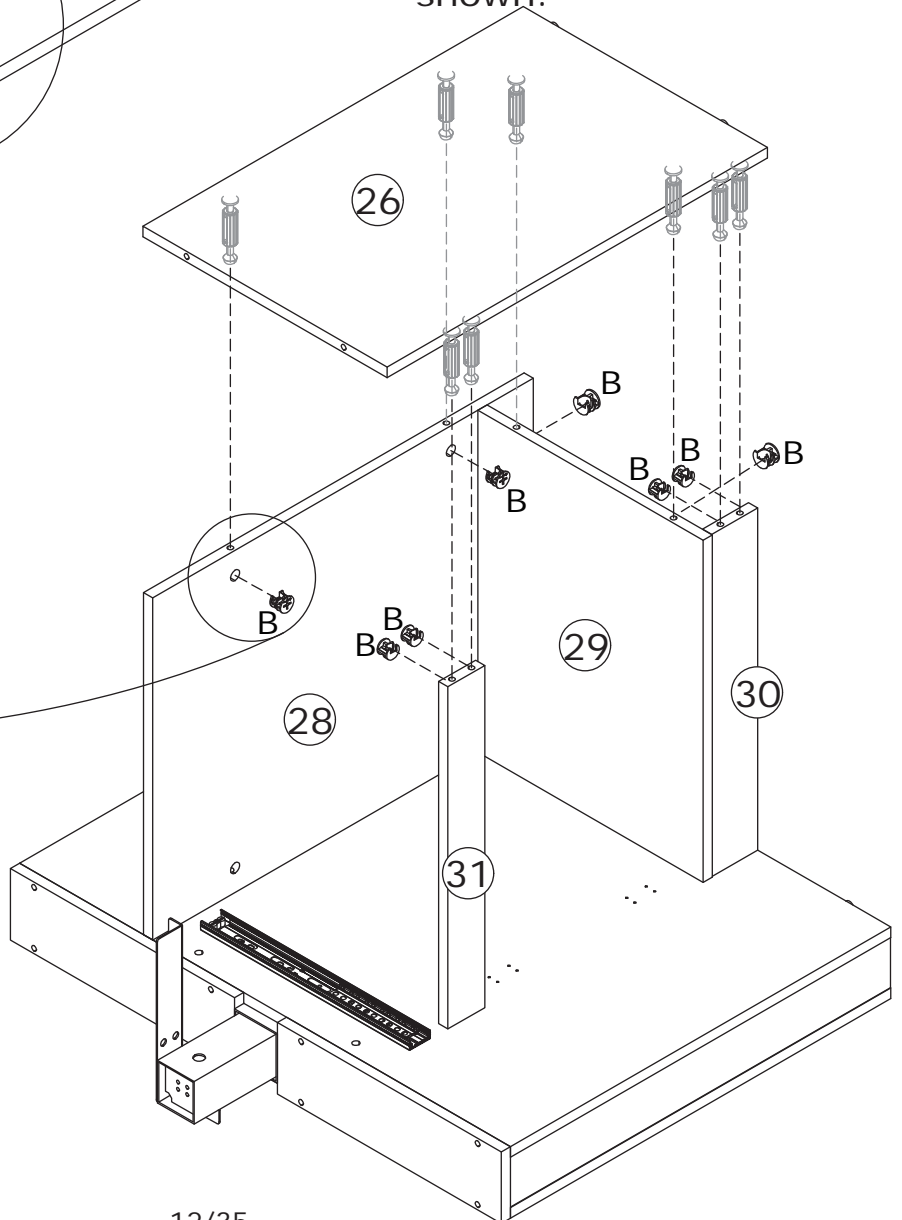
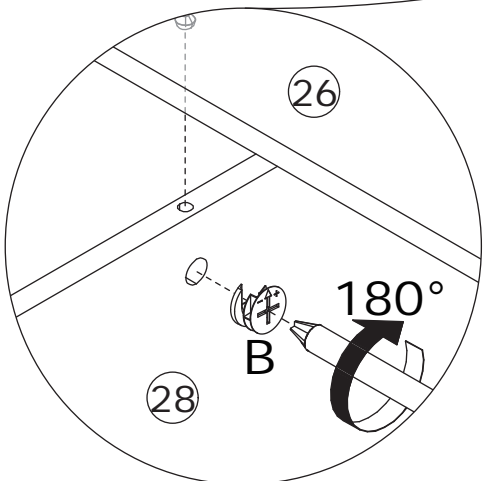
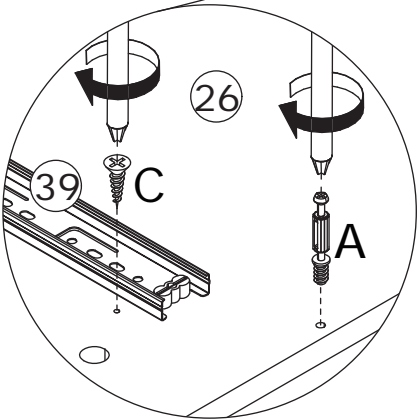


Screw eccentric rod(A)  
into board 26 at first.

Fix rail 39 to board 26  
with screw(C) as shown.



Attach board 26 to board  
28, 29, 30 and 31, add  
cam lock(B) into and turn  
clockwise to tighten as  
shown.

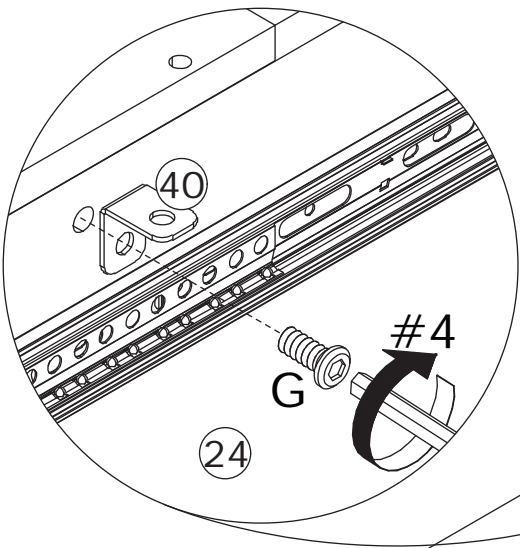


7

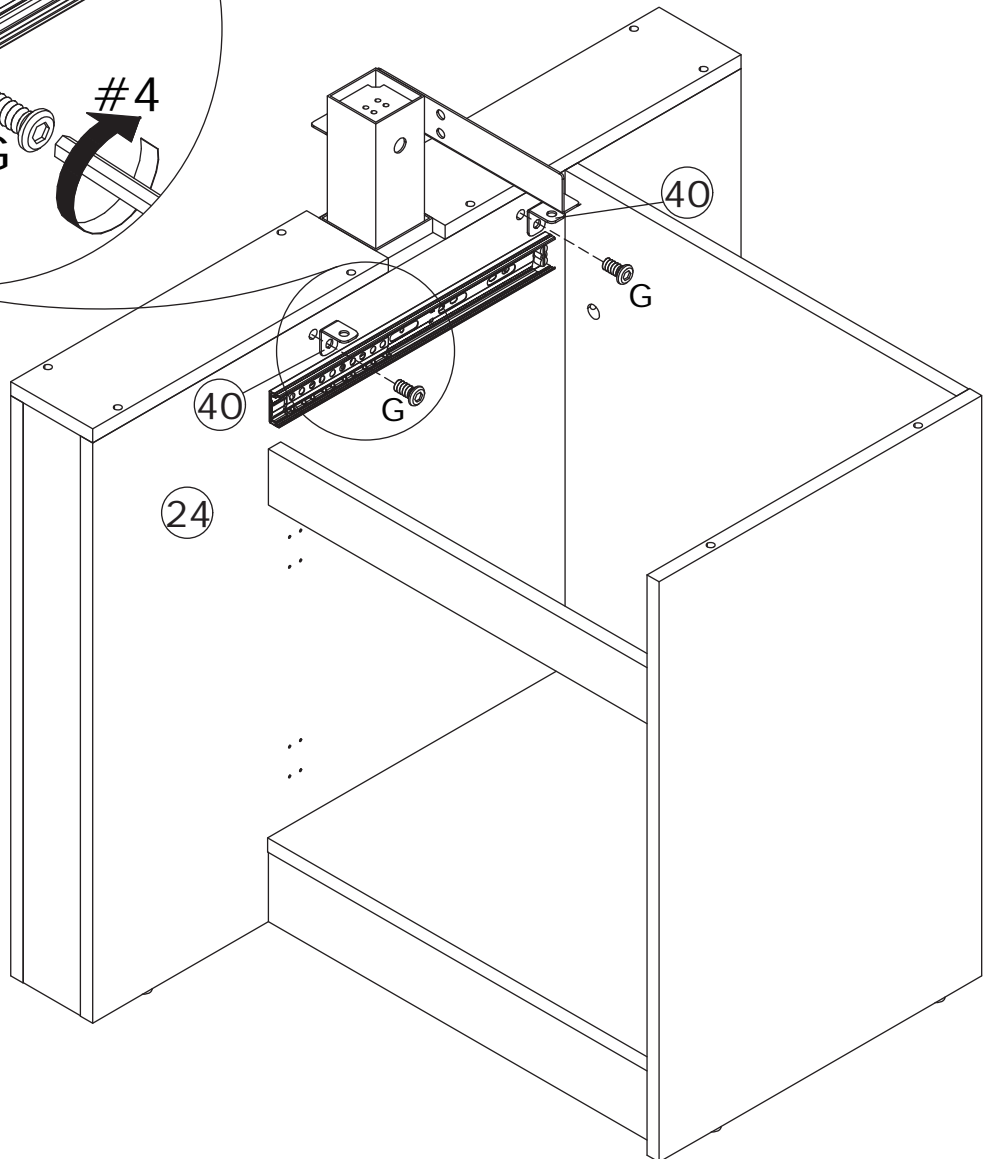
G x 2  
M6 x 12 mm



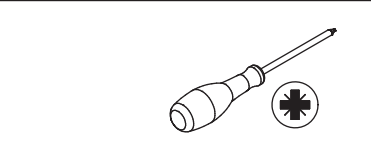
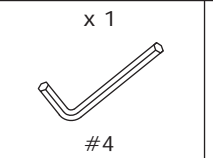
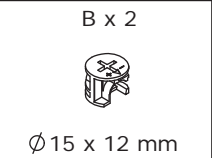
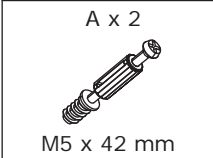
x 1  
#4



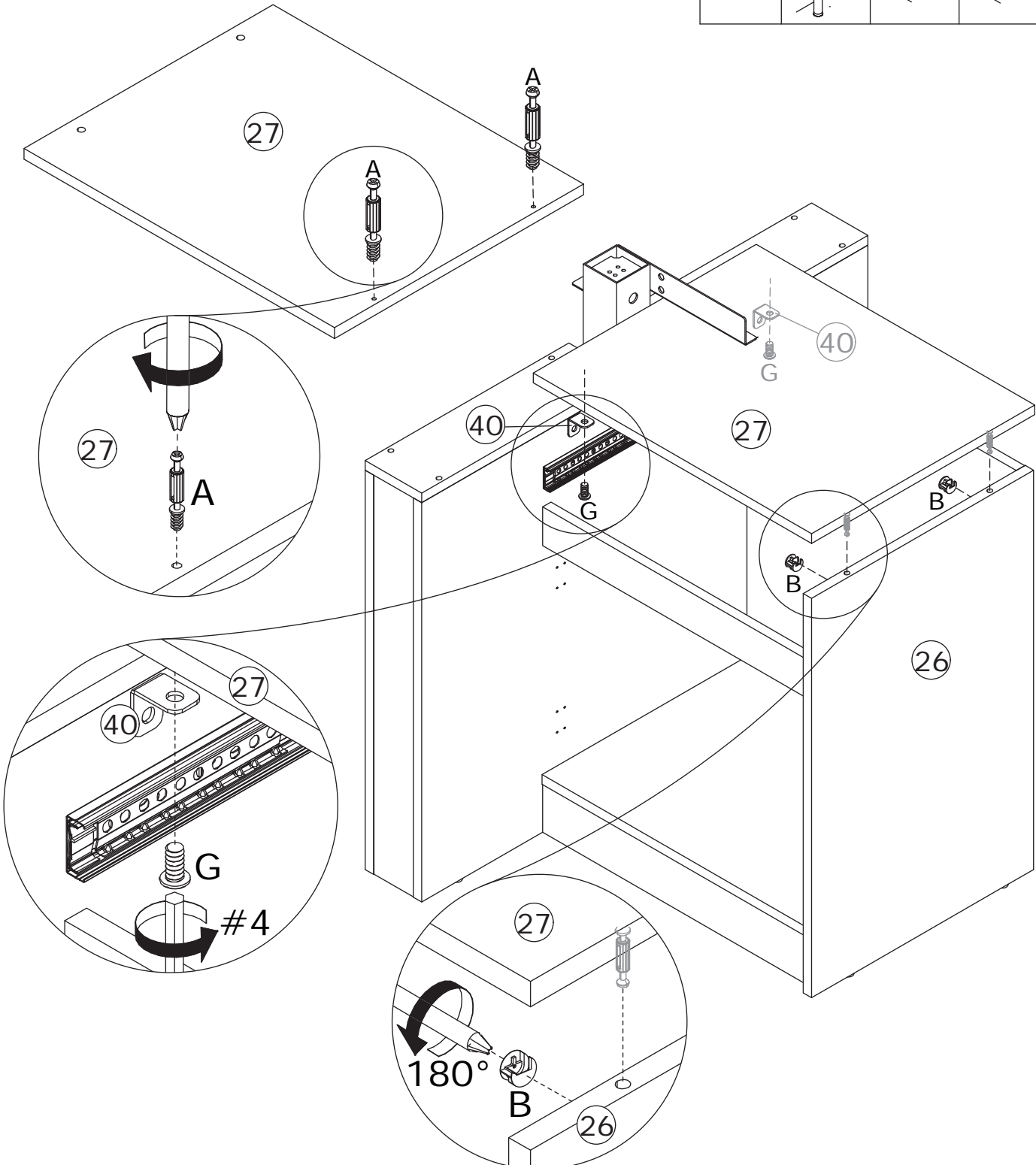
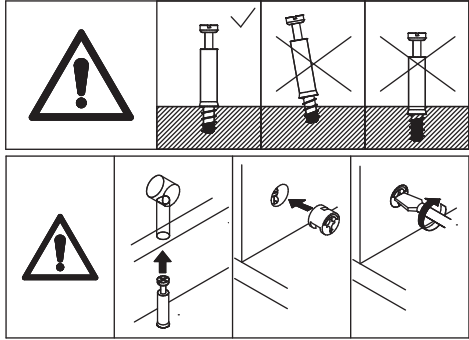
Stand the component up, fix part 40 to board 24 with screw(G) as shown.



8



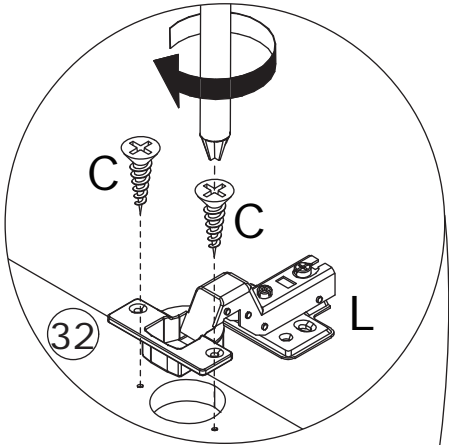
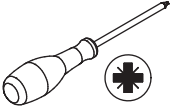
Screw eccentric rod(A) into board 27 at first.  
Attach board 27 to board 26, add cam lock(B)  
into and turn clockwise to tighten as shown.  
Fix part 40 to board 27 with screw(G) as shown.



9

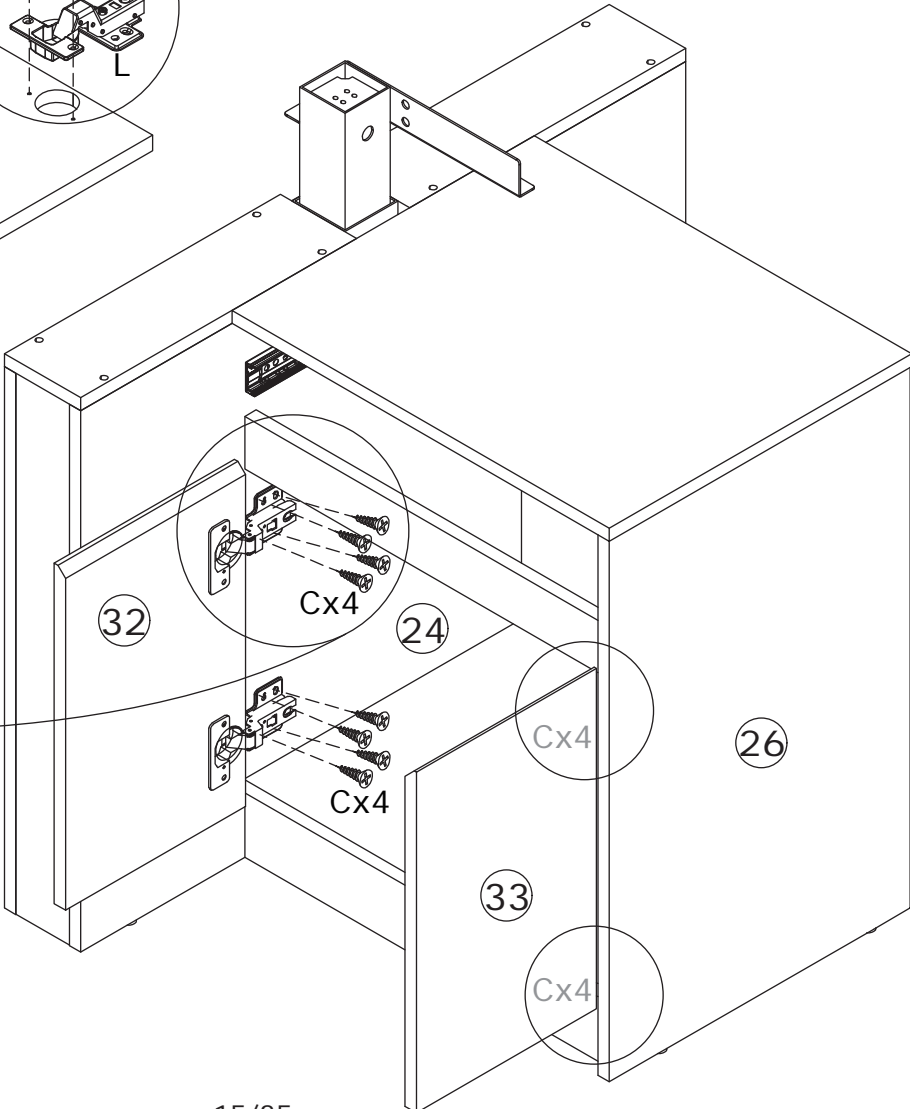
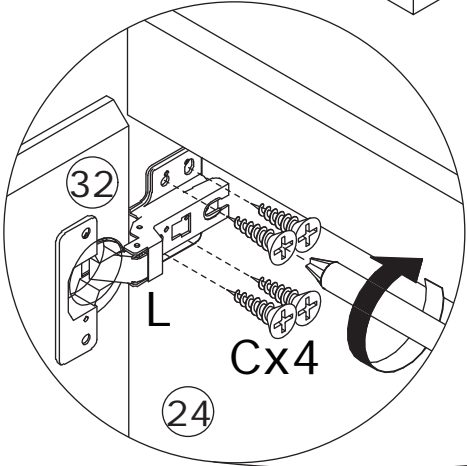
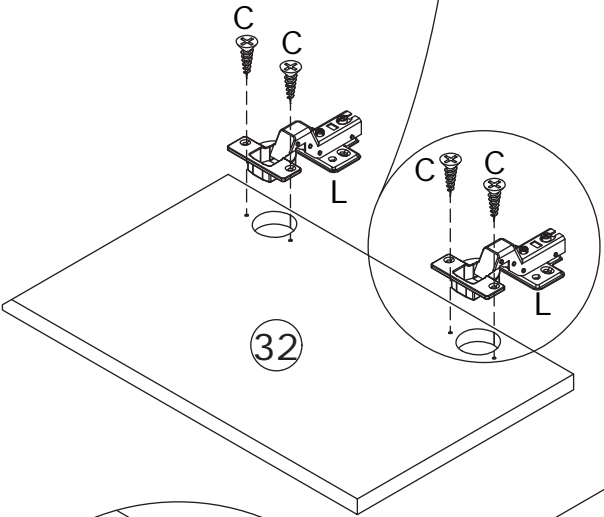
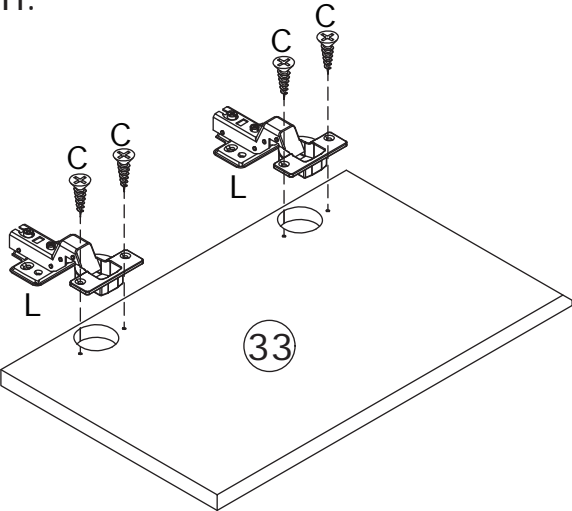
C x 24  
M3.5 x 14 mm

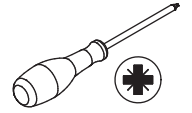
L x 4  
DW



Fix hinge(L) to board 32 and 33 with screw(C) as shown.

Assemble door 32 and 33 to board 24 and 26 by fixing hinge with screw(C) as shown.

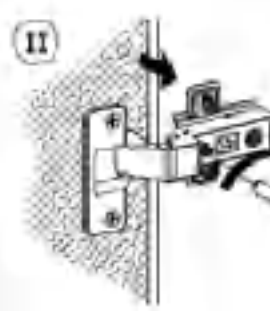
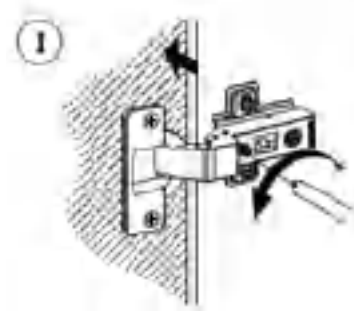
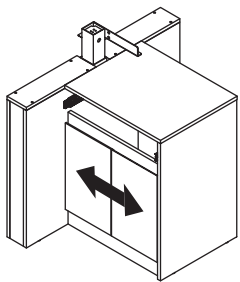
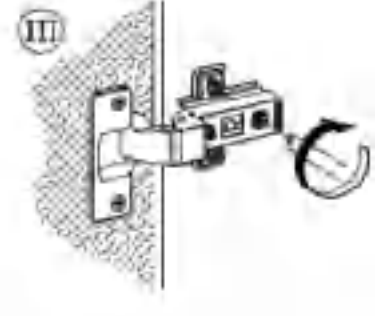
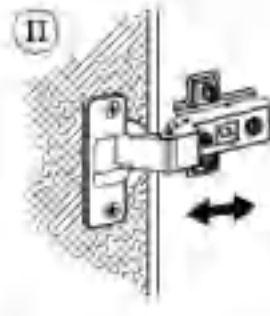
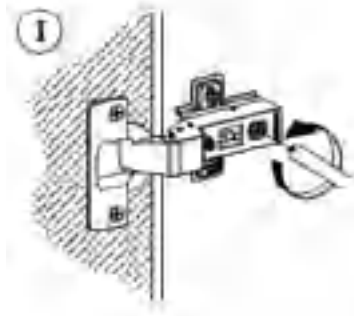
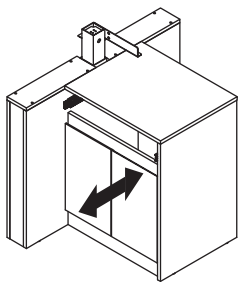
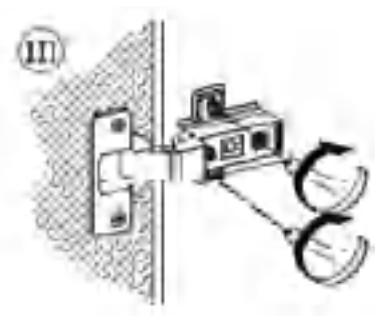
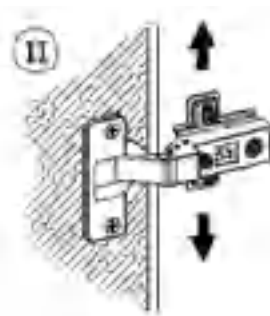
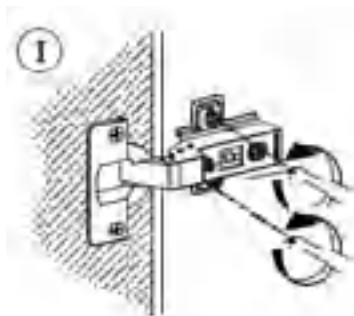
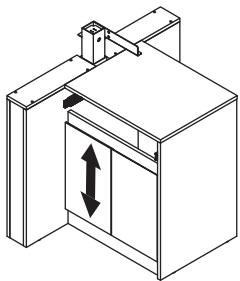
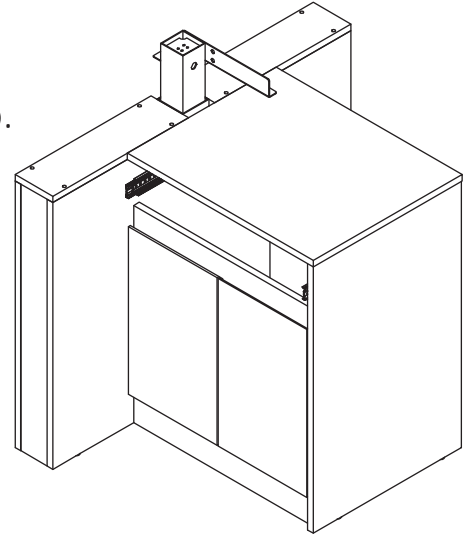




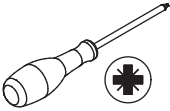
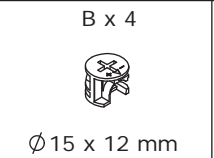
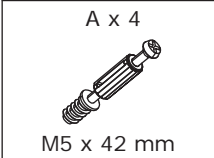
If doors are still not aligned if the hinges are properly correctly, please watch the video.

<https://youtu.be/n0Lb36SoODM>

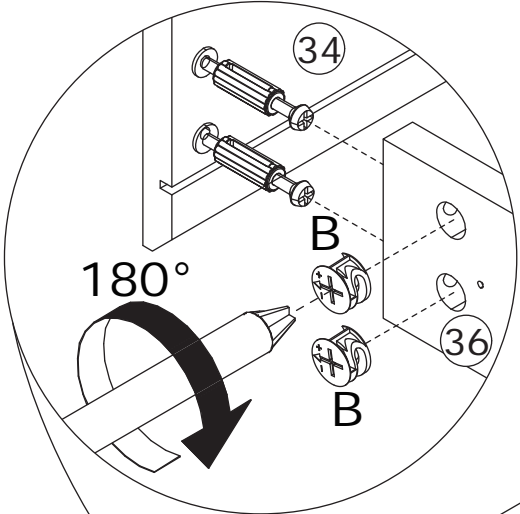
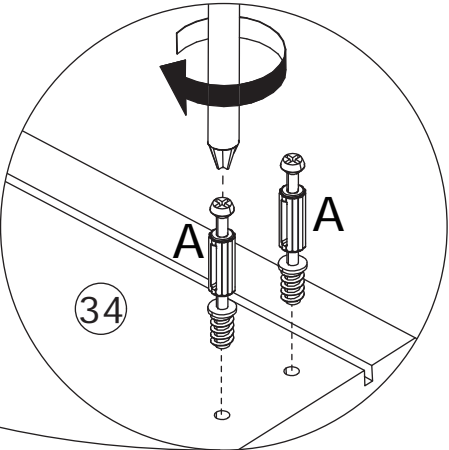
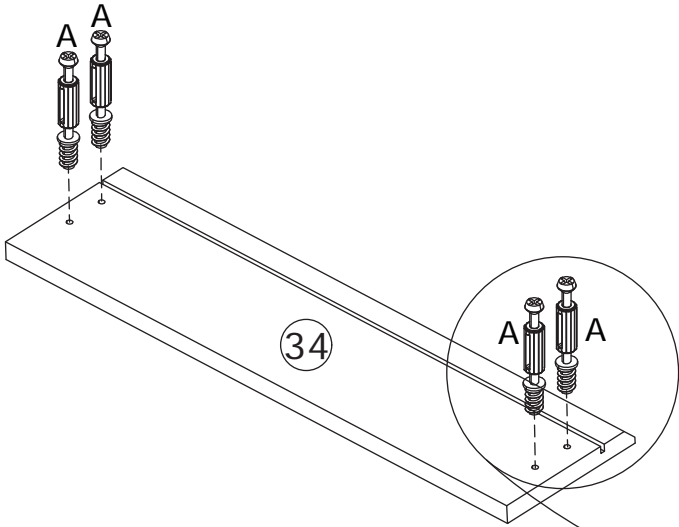
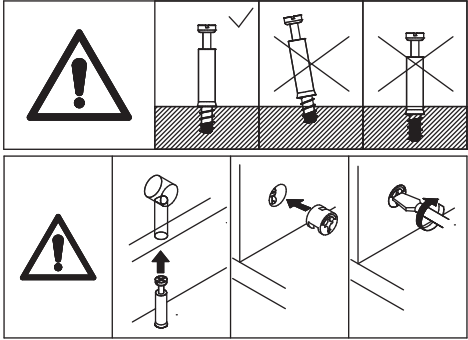
If there is misalignment after you install, adjust the screw to the best condition



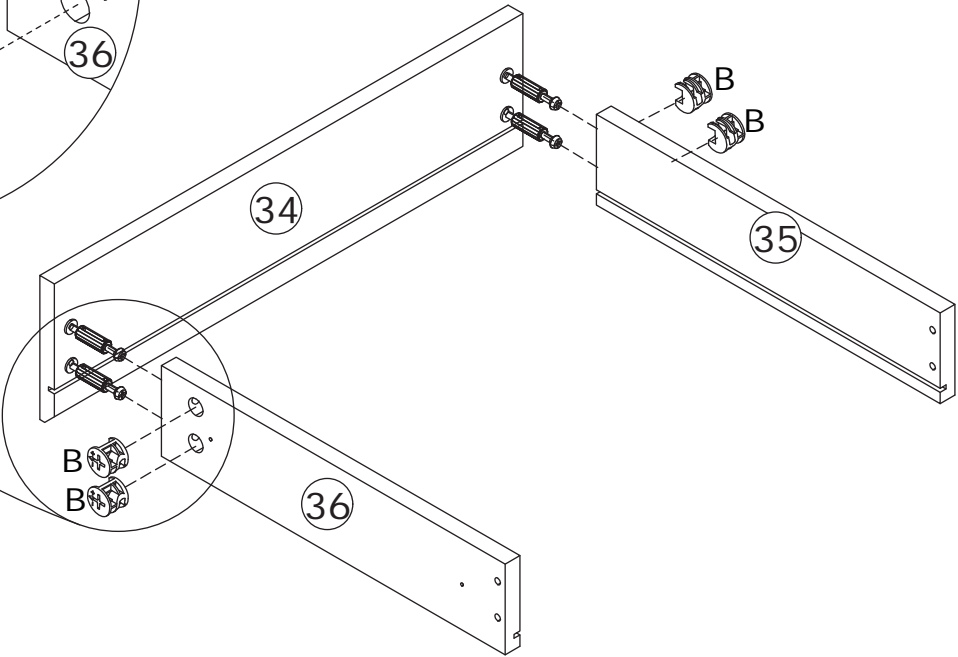
11



Screw eccentric rod(A) into board 34 at first.

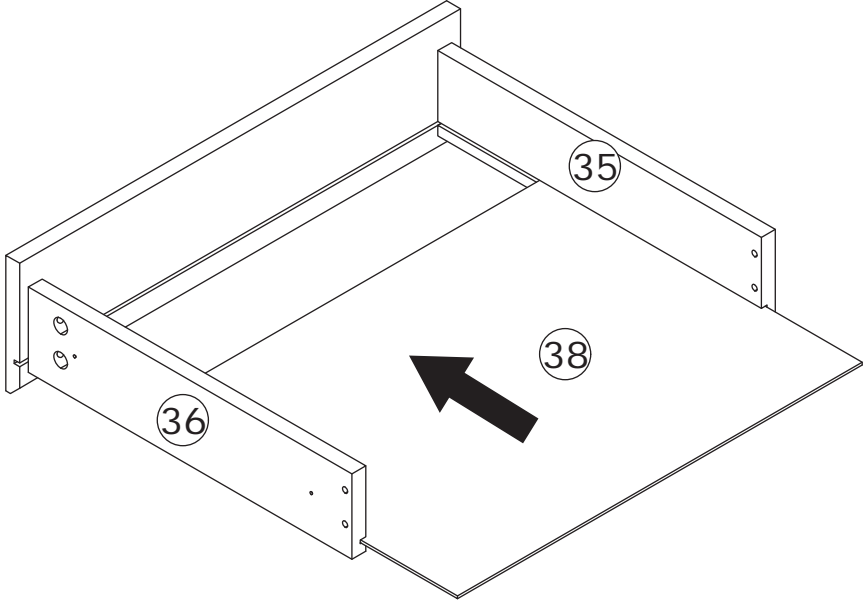


Connect board 35 and 36 to board 34, add cam lock(B) into and turn clockwise to tighten as shown.

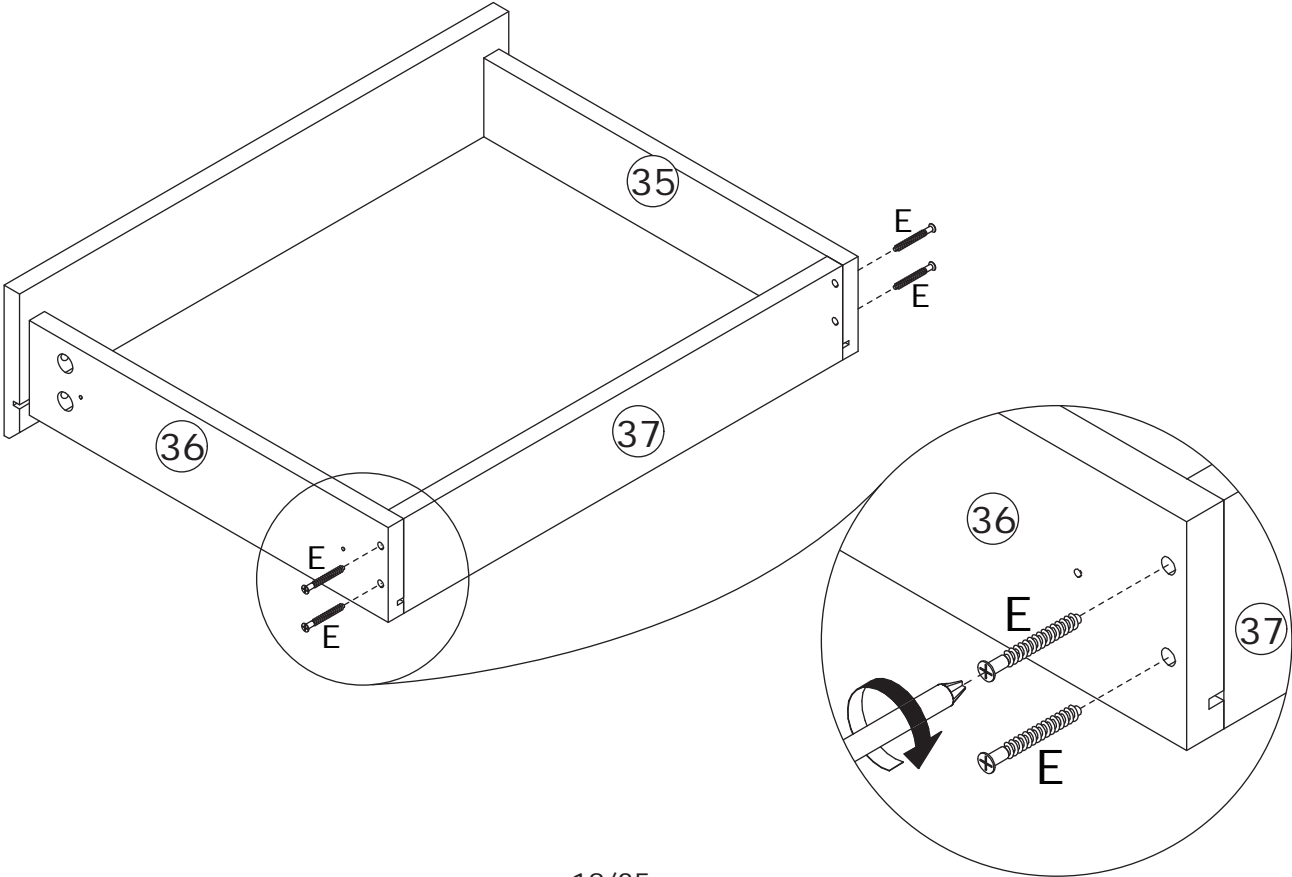


12

E x 4  
M5 x 40 mm



Insert bottom board 38 along available grooves as shown.  
Fix board 37 board 35 and 36 with screw(E) as shown.

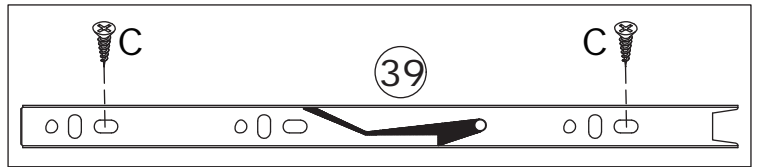
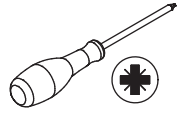


13

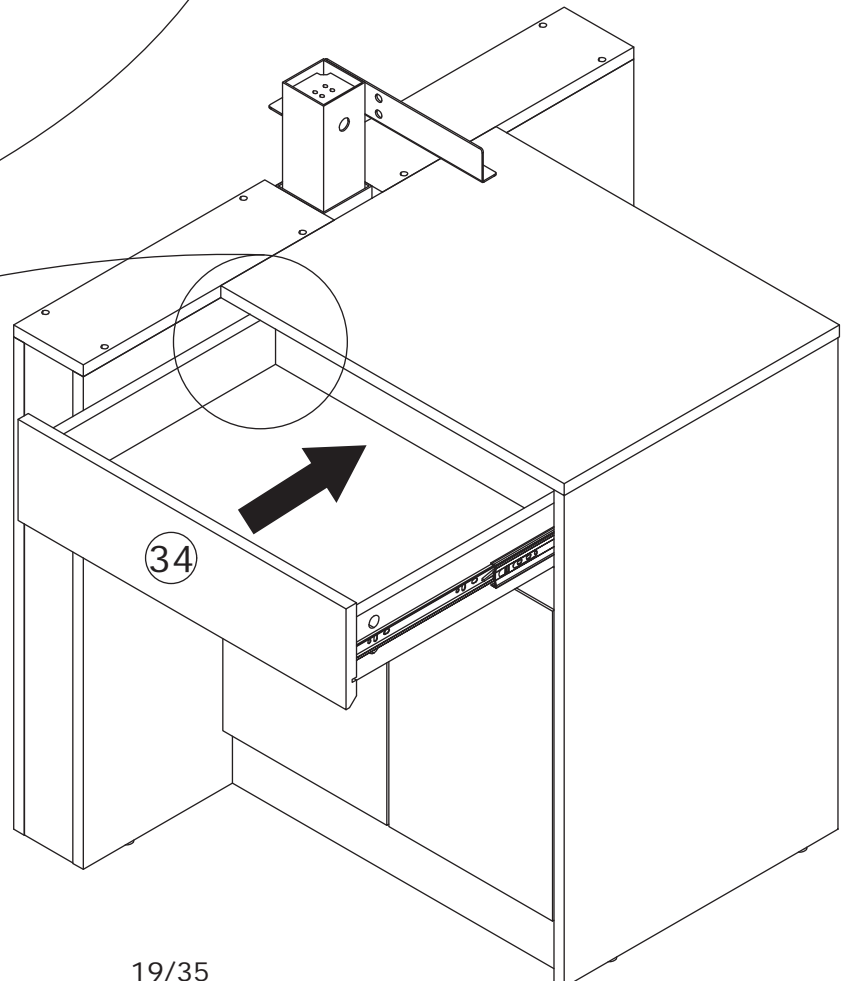
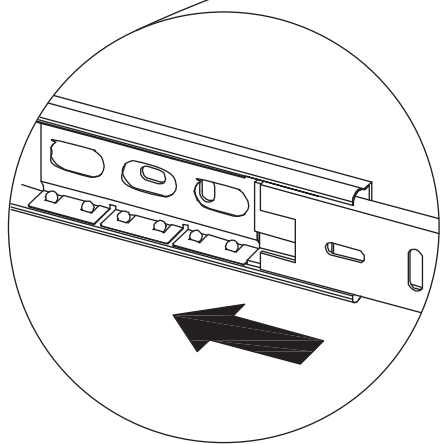
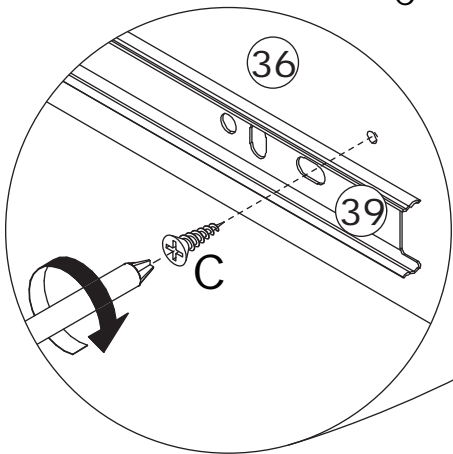
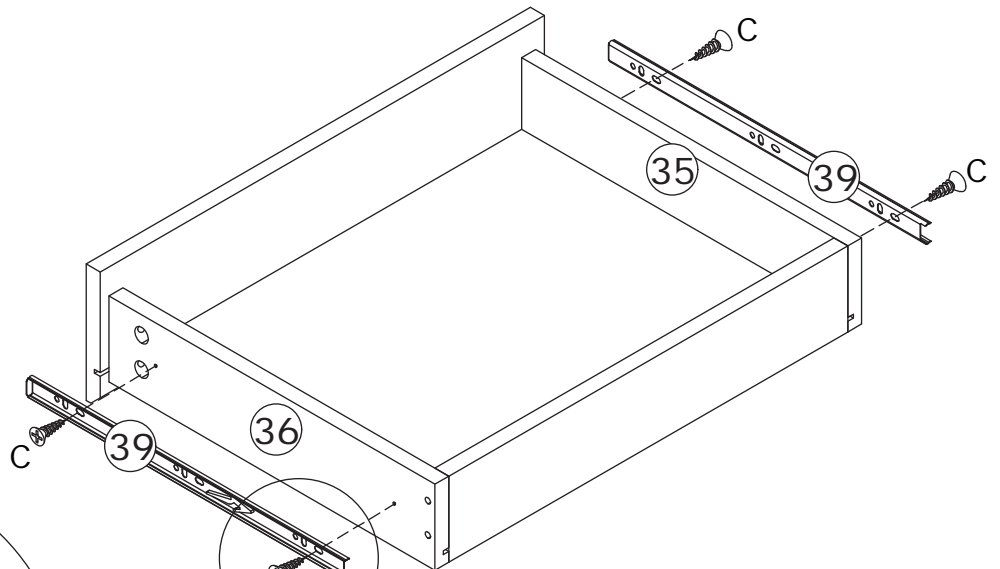
C x 4



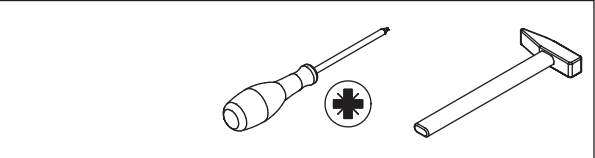
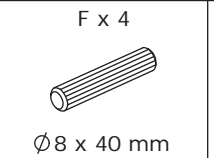
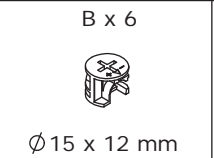
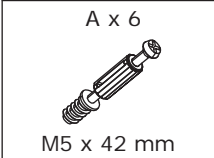
M3.5 x 14 mm



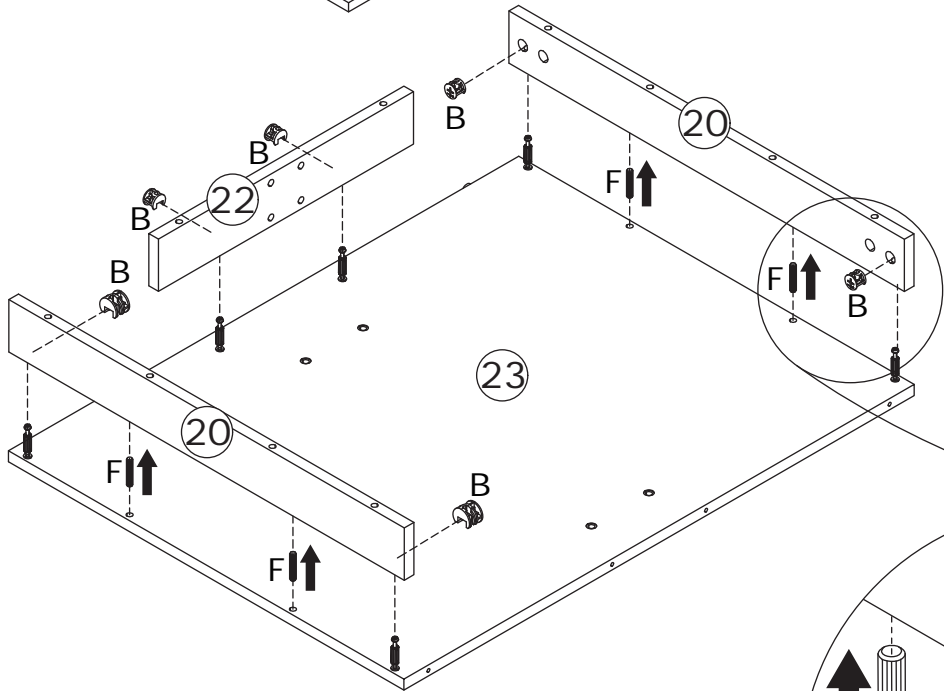
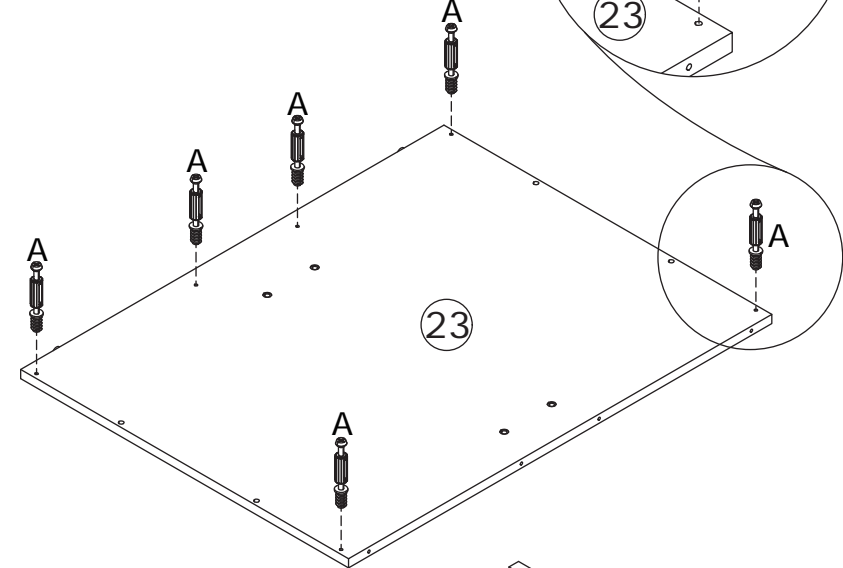
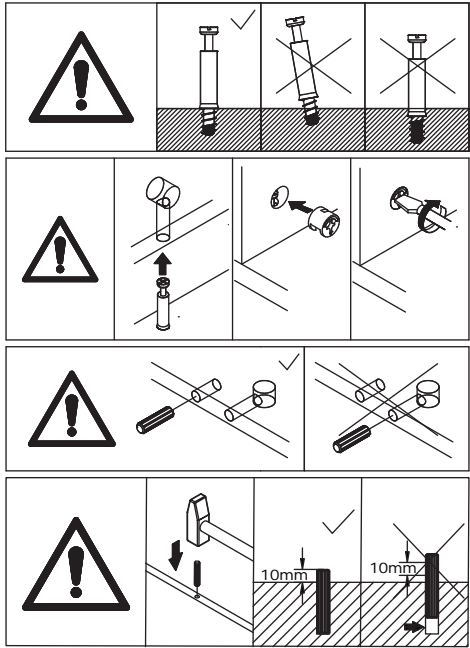
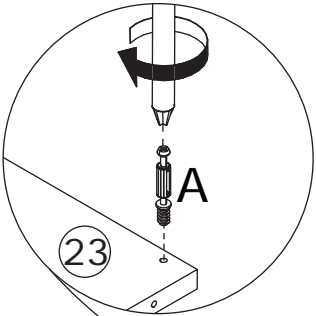
Fix runner 39 to board 35 and 36 with screw(C) as shown.  
Align rails, insert drawer in.



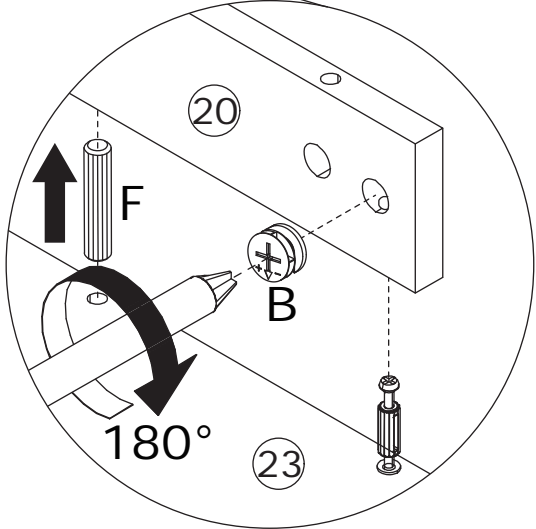
14



Screw eccentric rod(A) into board 23 with a screwdriver at first.

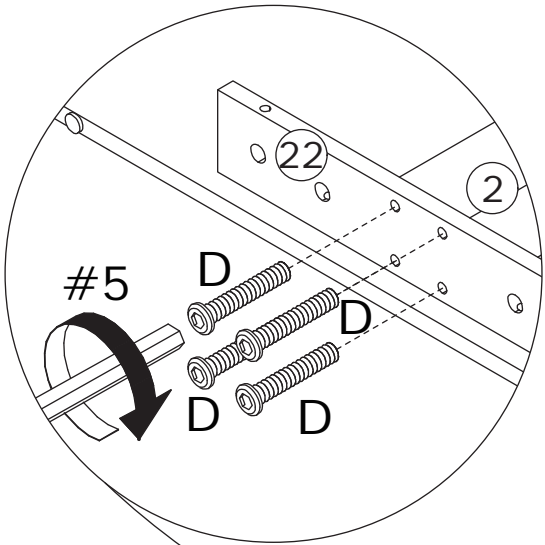
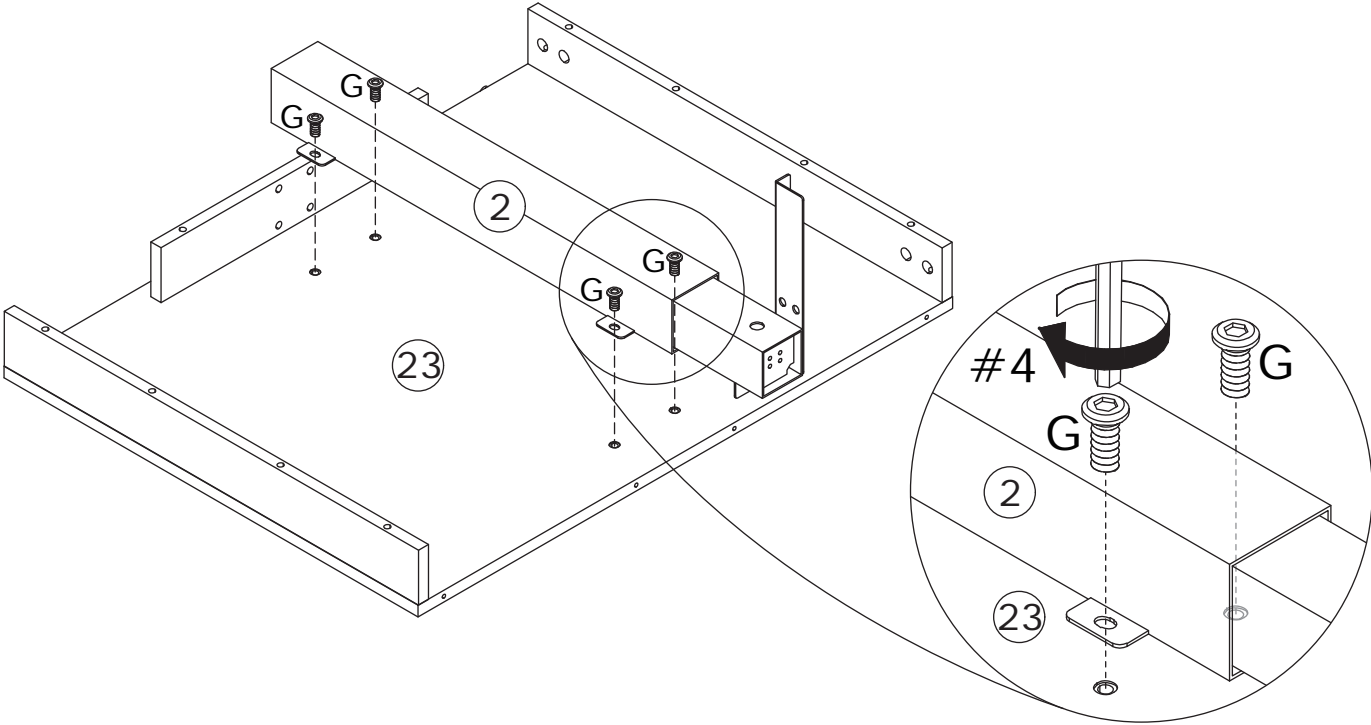


Insert wooden dowel(F) into board 20 at first.  
Attach board 20 and 22 to board 23,  
add cam lock(B) into board 20,22 and  
turn clockwise to tighten as shown.

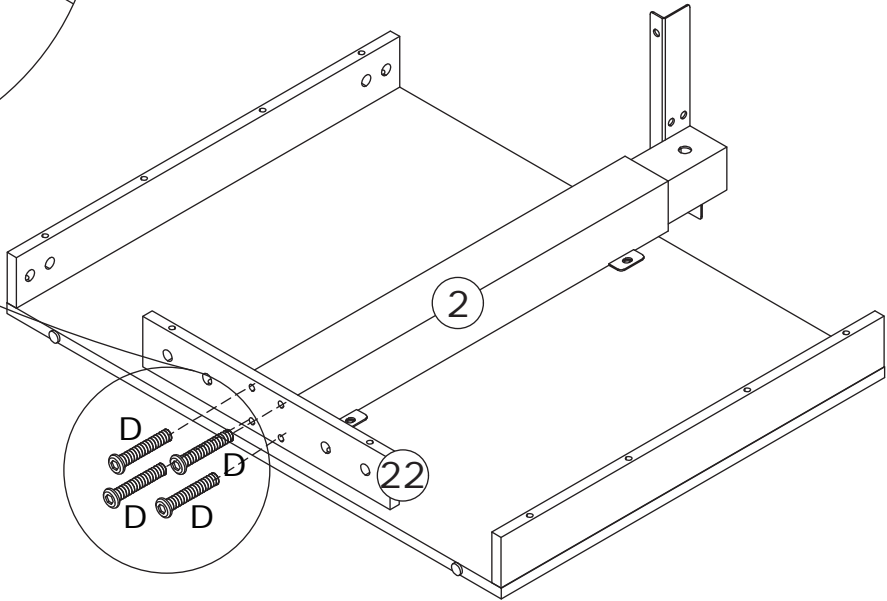


15

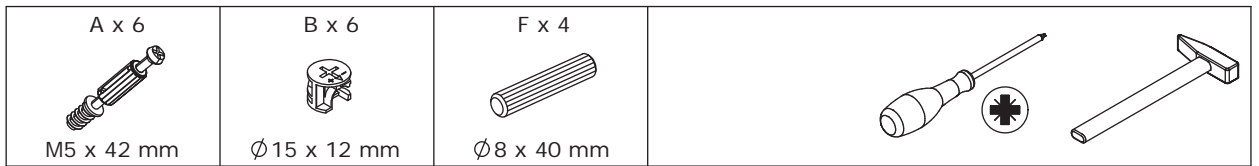
D x 4 M8 x 30 mm	G x 4 M6 x 12 mm	x 1 #5	x 1 #4	
---------------------	---------------------	-----------	-----------	--



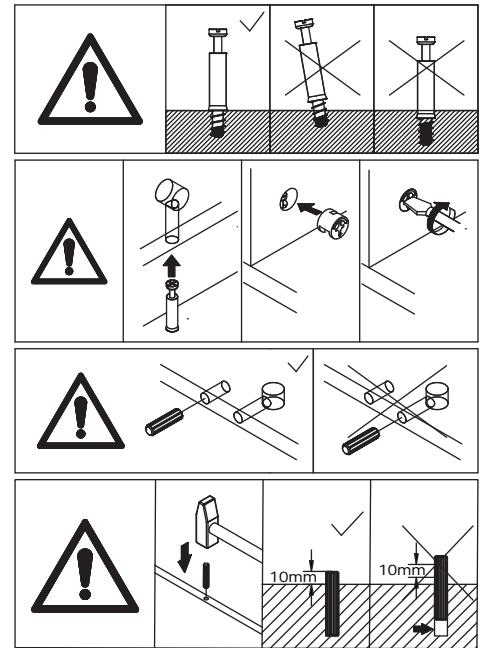
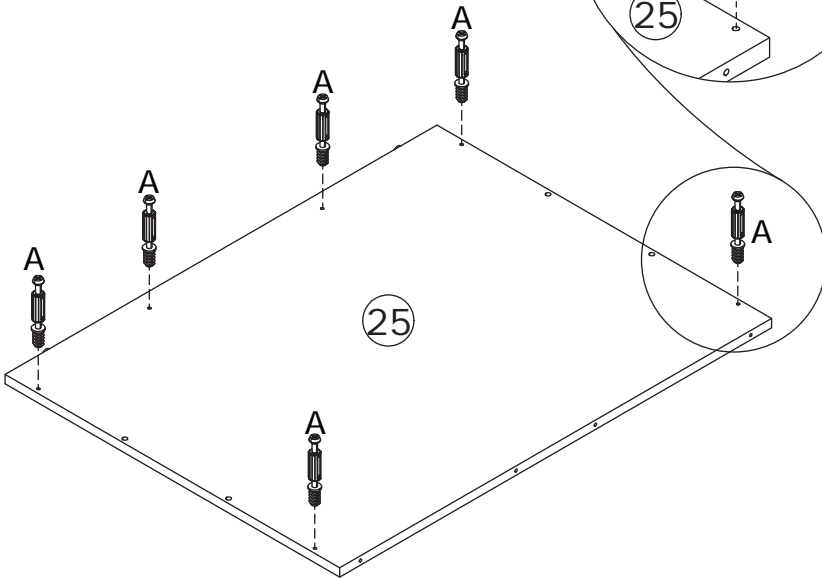
Fix part 2 to board 23 with screw(G) as shown. Fix part 2 to board 22 with screw(D) as shown.



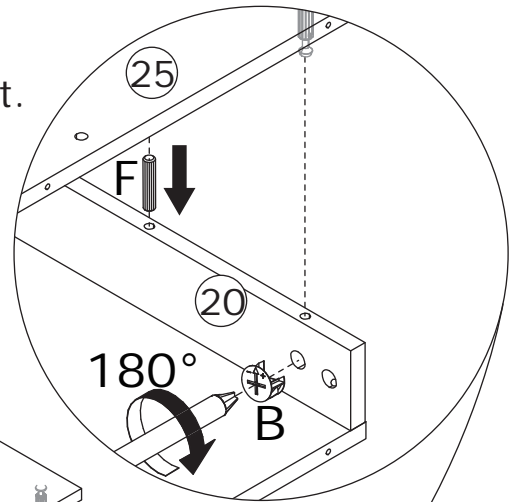
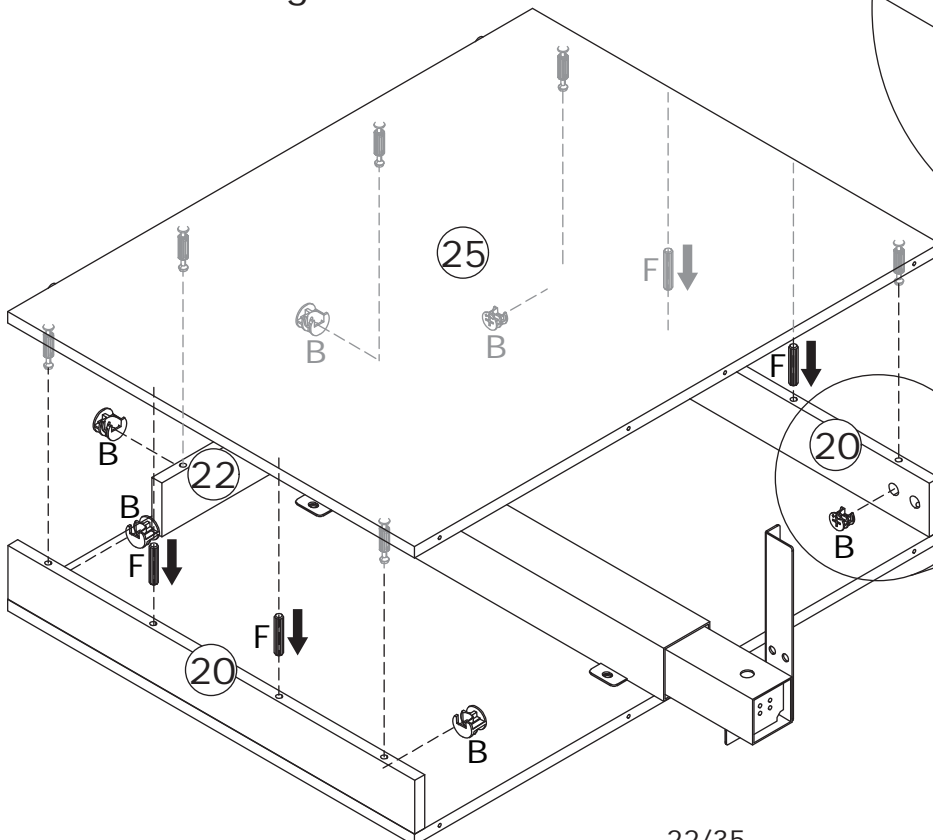
# 16



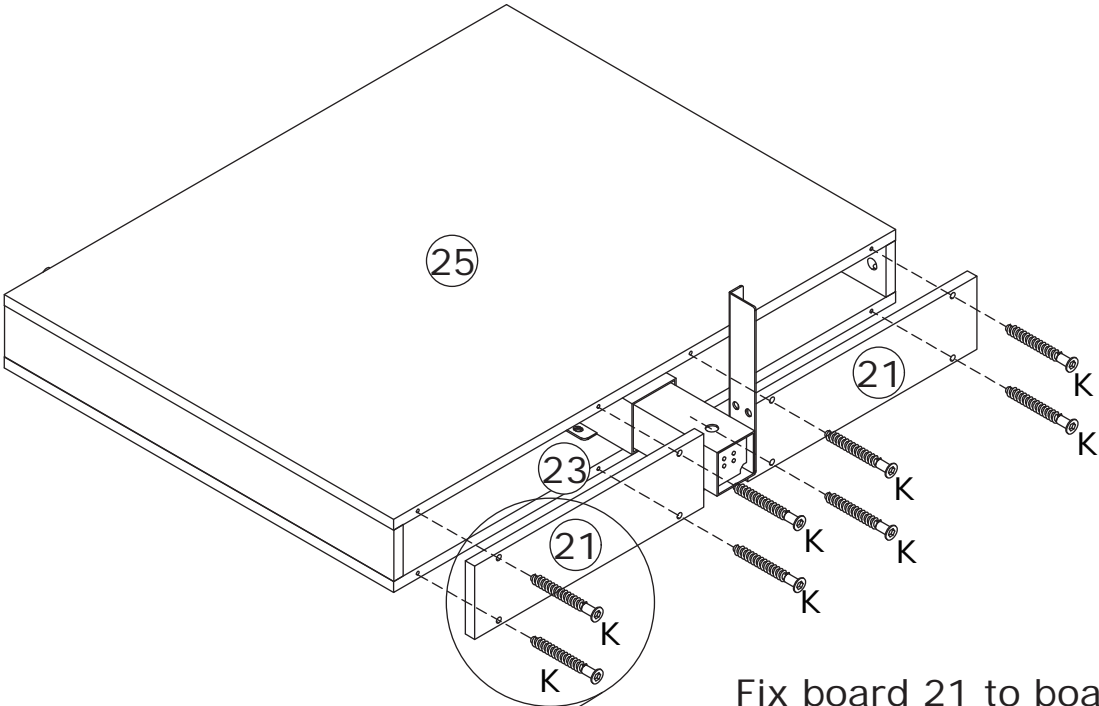
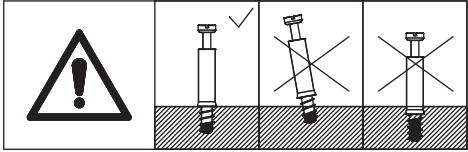
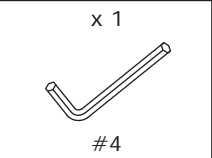
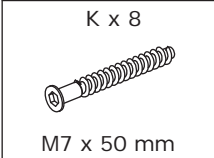
Screw eccentric rod(A)  
into board 25 at first.



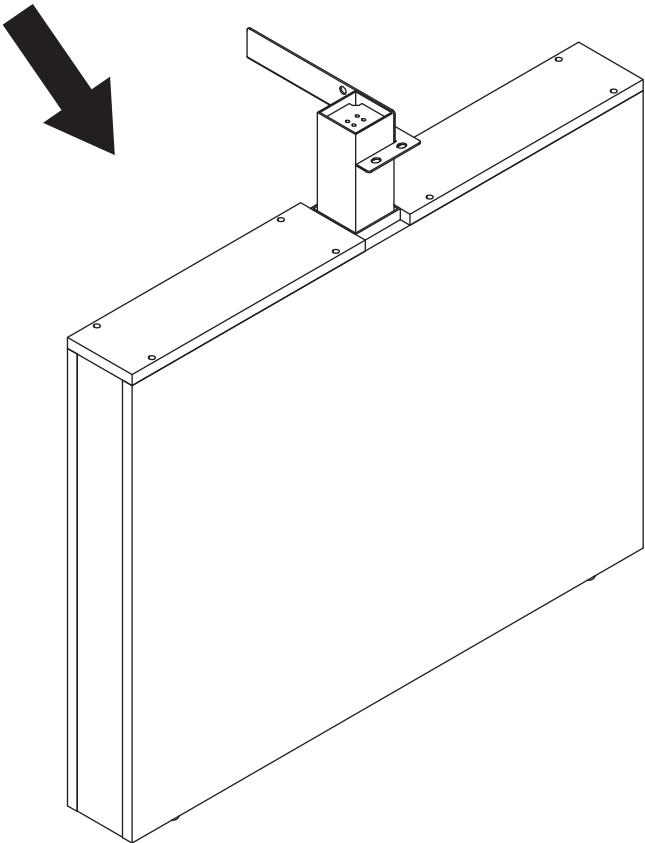
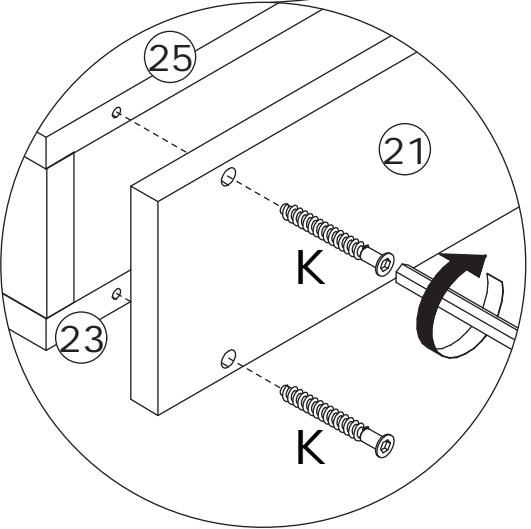
Insert wooden dowel(F) into board 20 at first.  
Attach board 25 to board 20 and 22 , add  
cam lock(B) into board 20,22 and turn  
clockwise to tighten as shown.






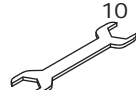
17

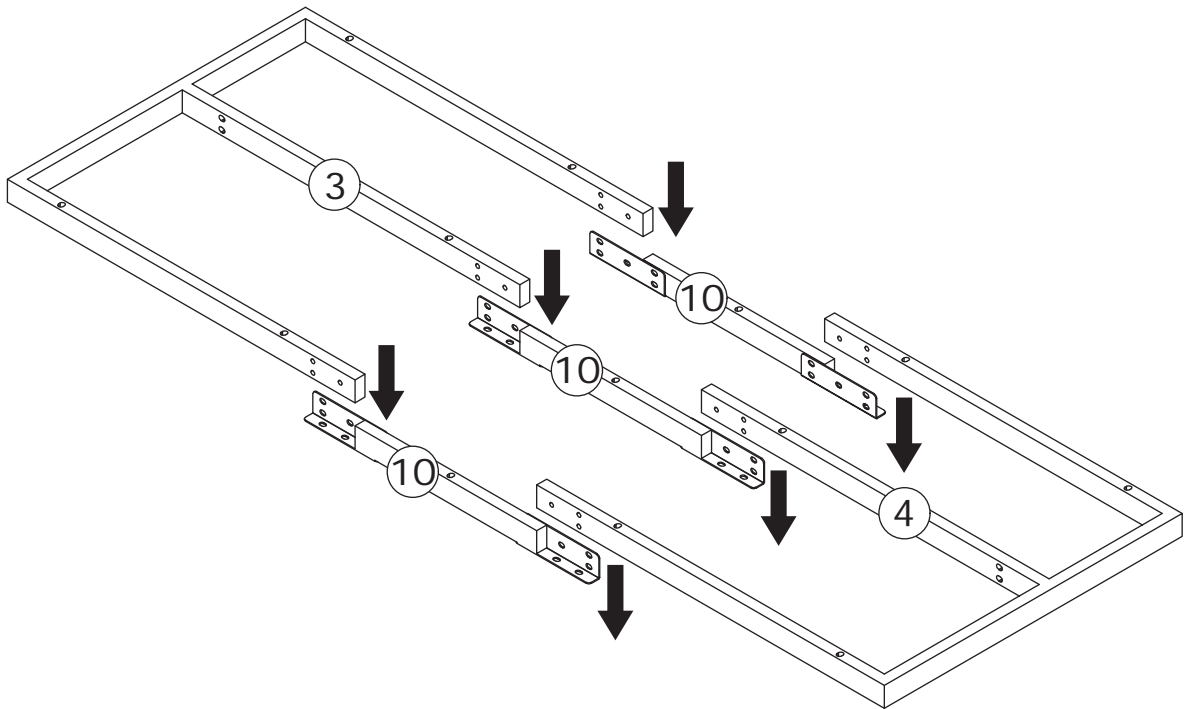


Fix board 21 to board 23 and 25 with screw(K) as shown.

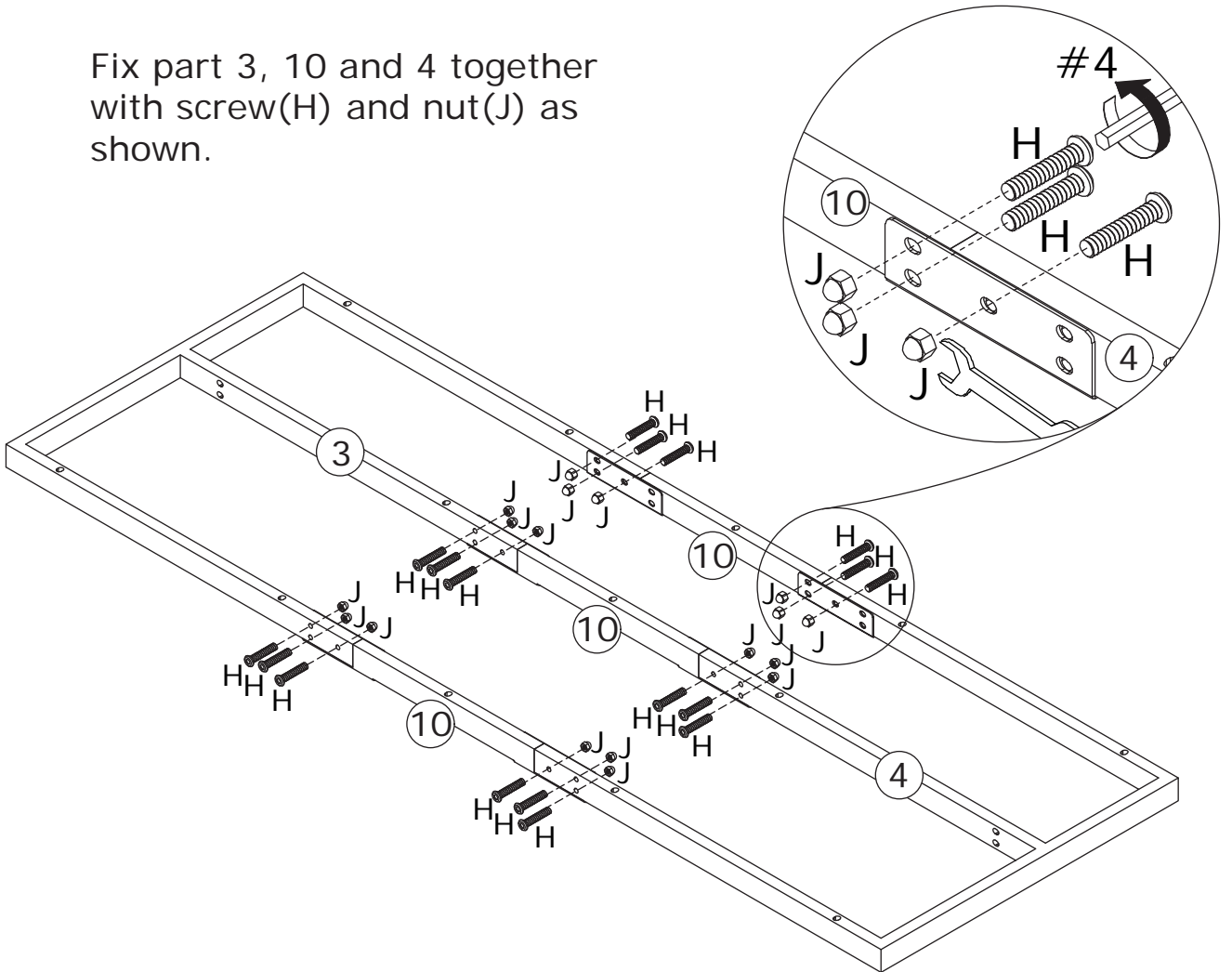


18

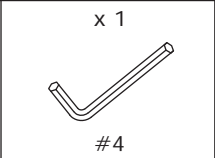
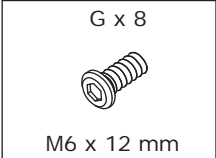
H x 18  M6 x 30 mm	J x 18  M6 mm	x 1  #4	x 1  10 mm	
---	--	--	--	--



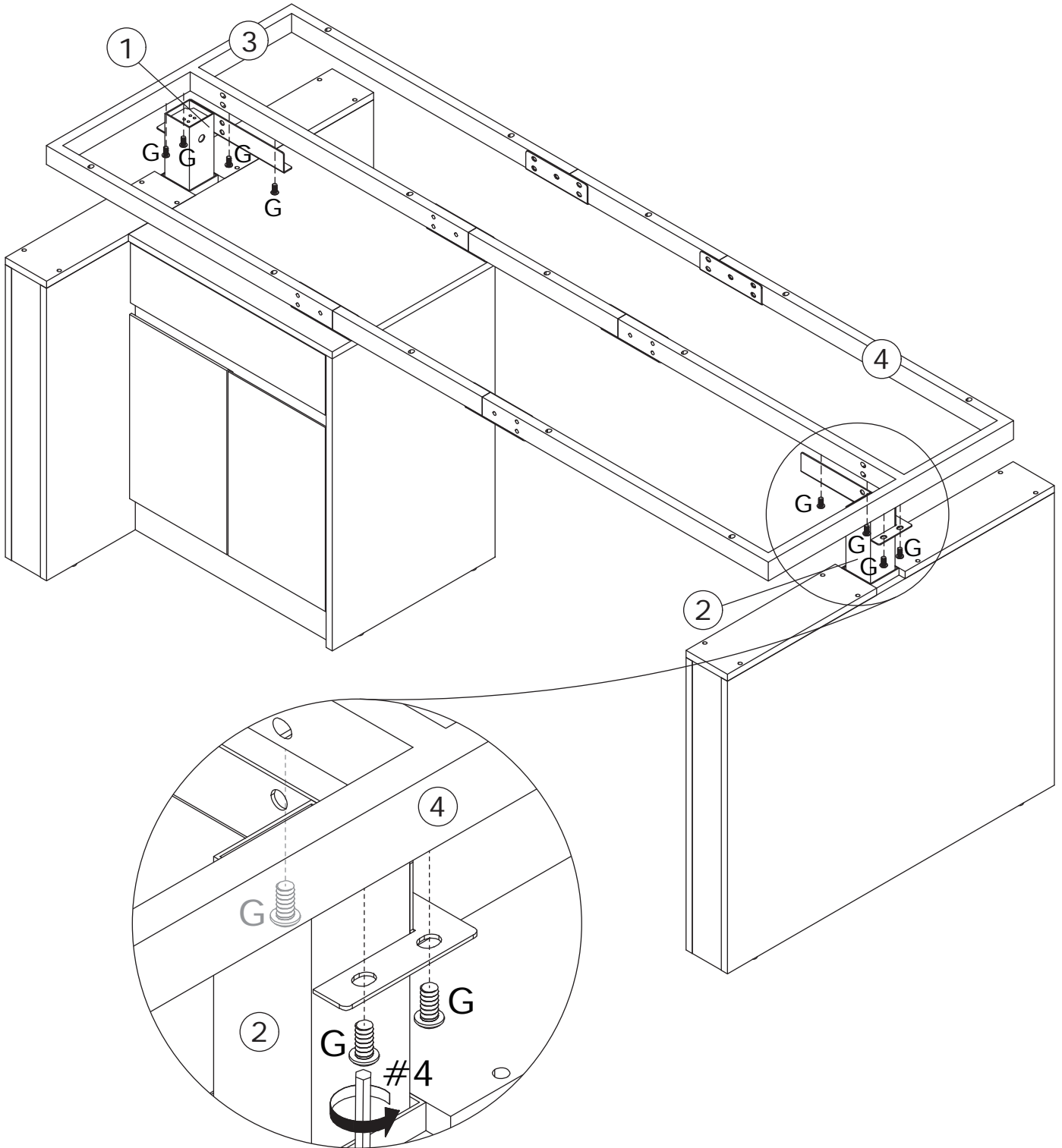
Fix part 3, 10 and 4 together with screw(H) and nut(J) as shown.






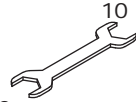
19



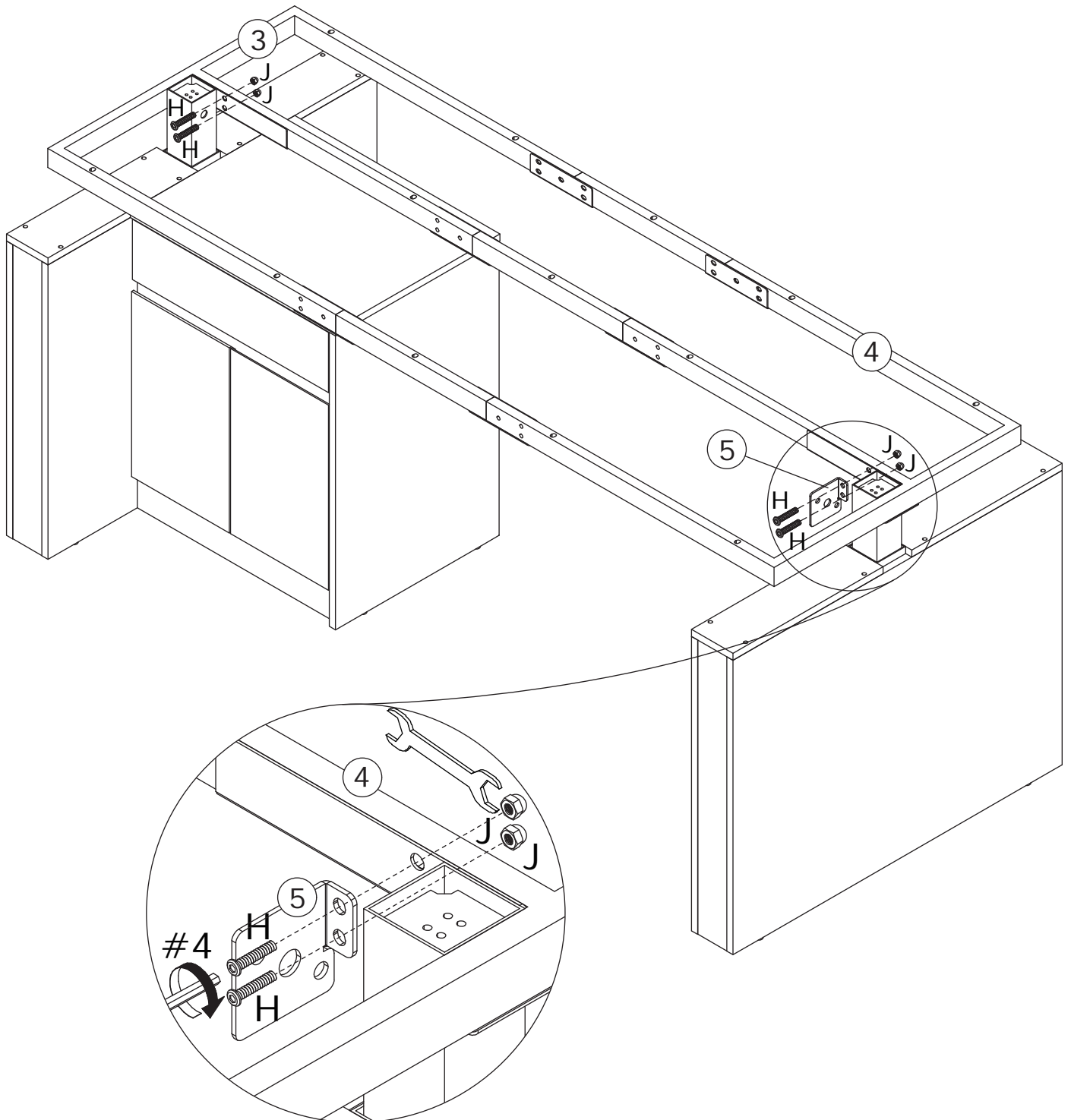
Fix the component to part 1 and 2 with screw(G) as shown.







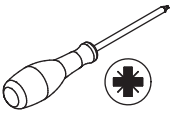

20

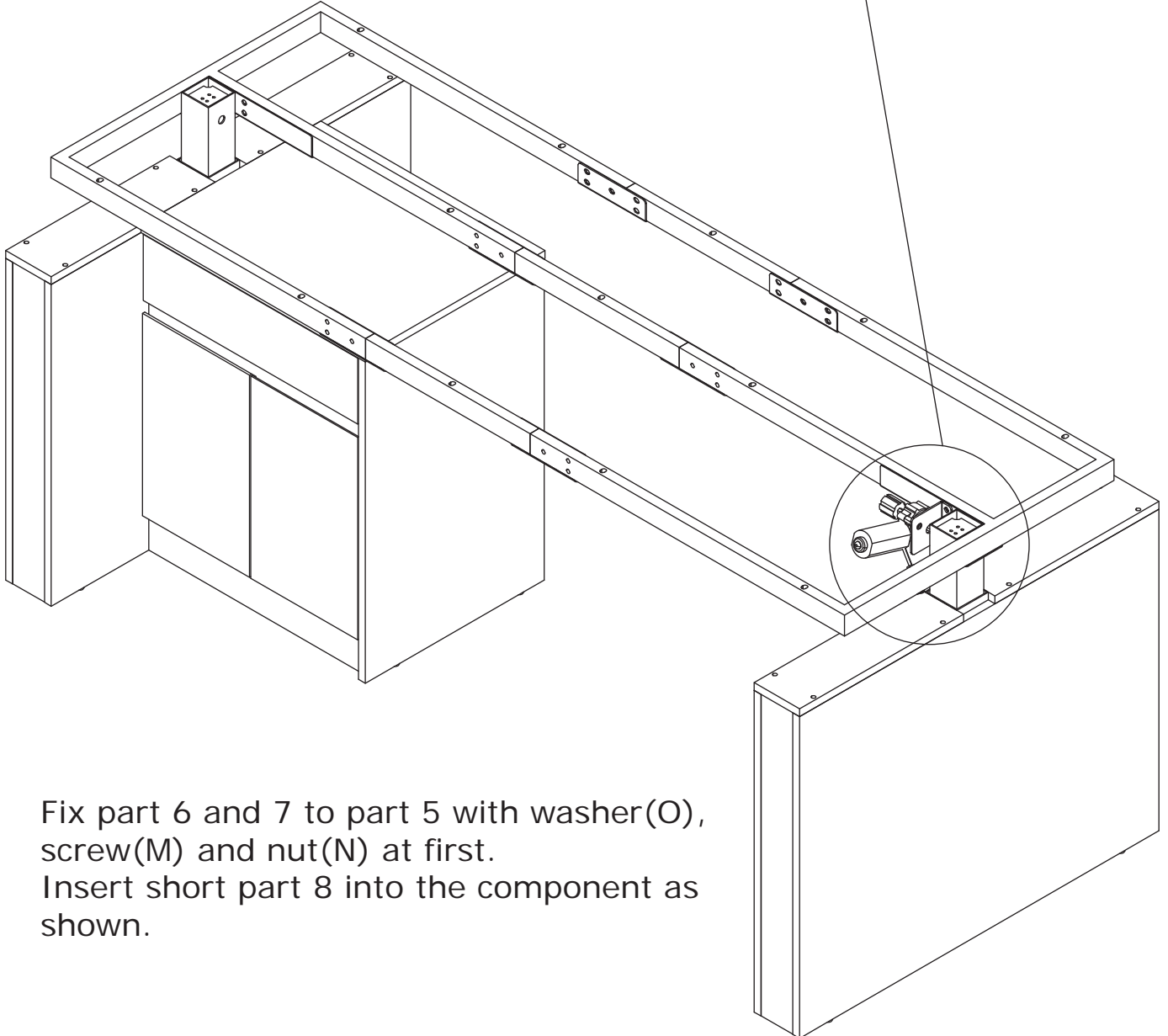
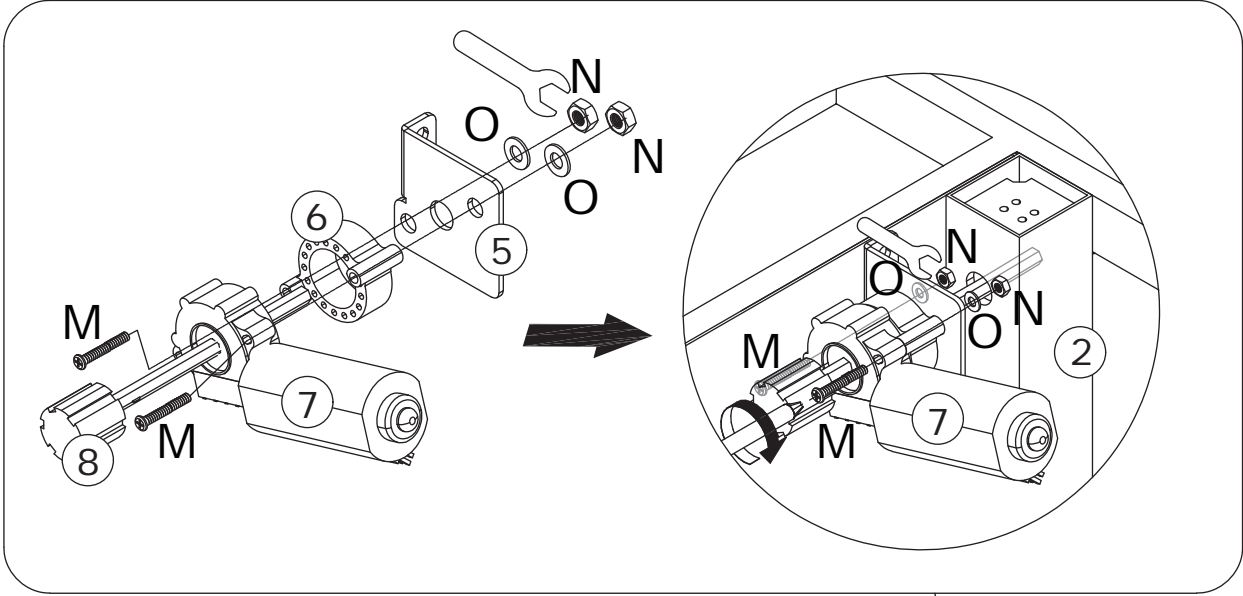
H x 4  M6 x 30 mm	J x 4  M6 mm	x 1  #4	x 1  10 mm 12 mm	
--	---	--	---	--

Fix part 1 to part 3 with screw(H) and nut(J) as shown.  
Fix part 5 to part 2 and 4 with screw(H) and nut(J) as shown.



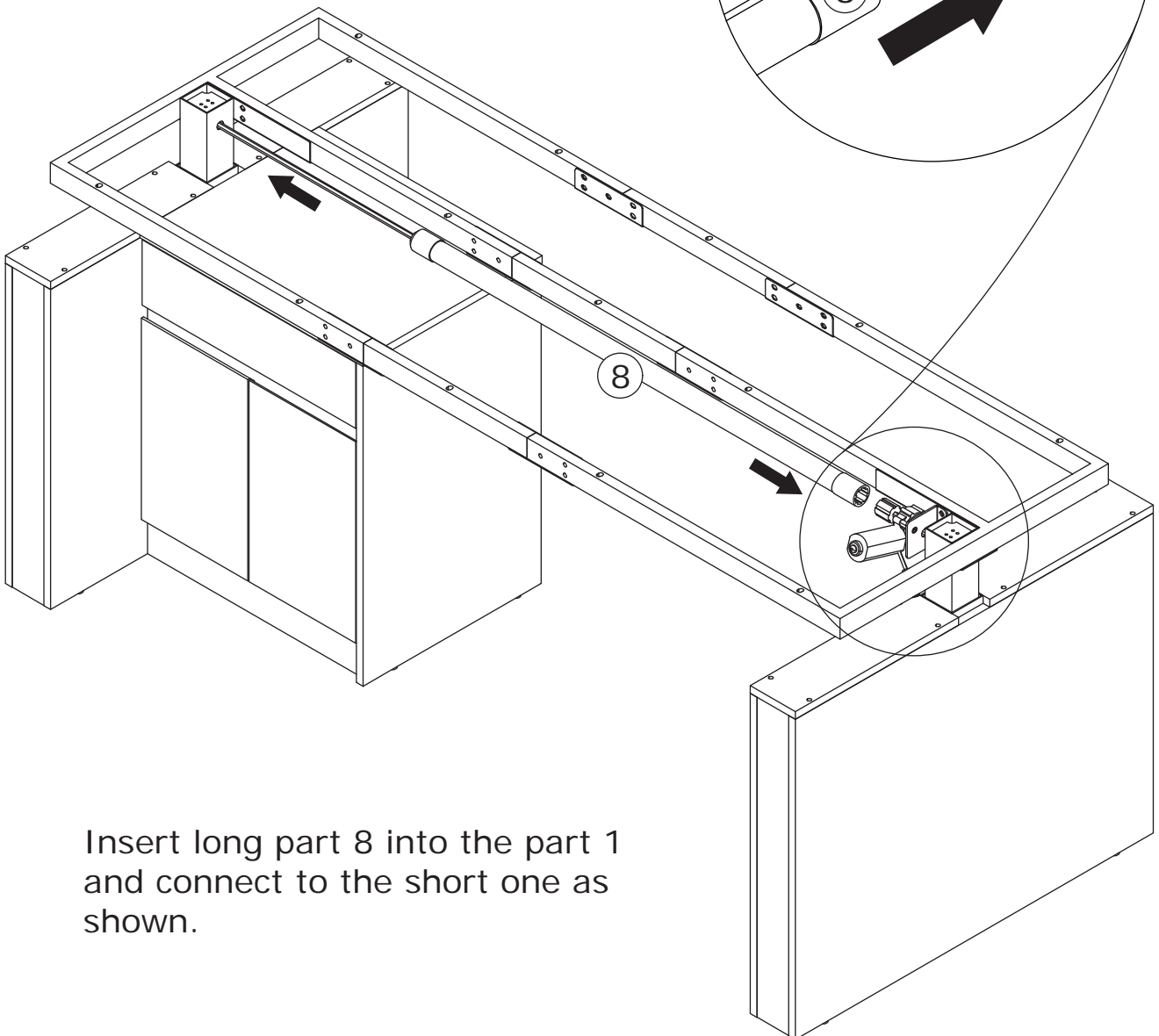
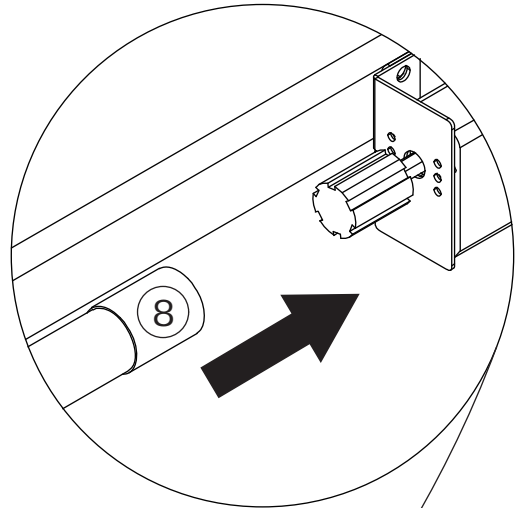
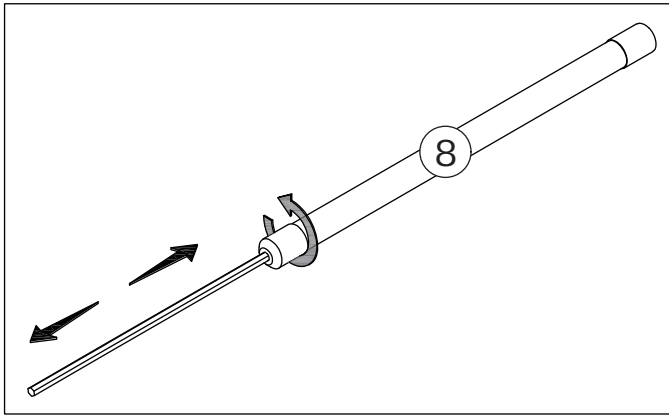
21

M x 2  M4 x 45 mm	N x 2  M4 mm	O x 2  Ø 14xØ x5x0.8 mm	x 1  M4	 
--	---	--	---	--



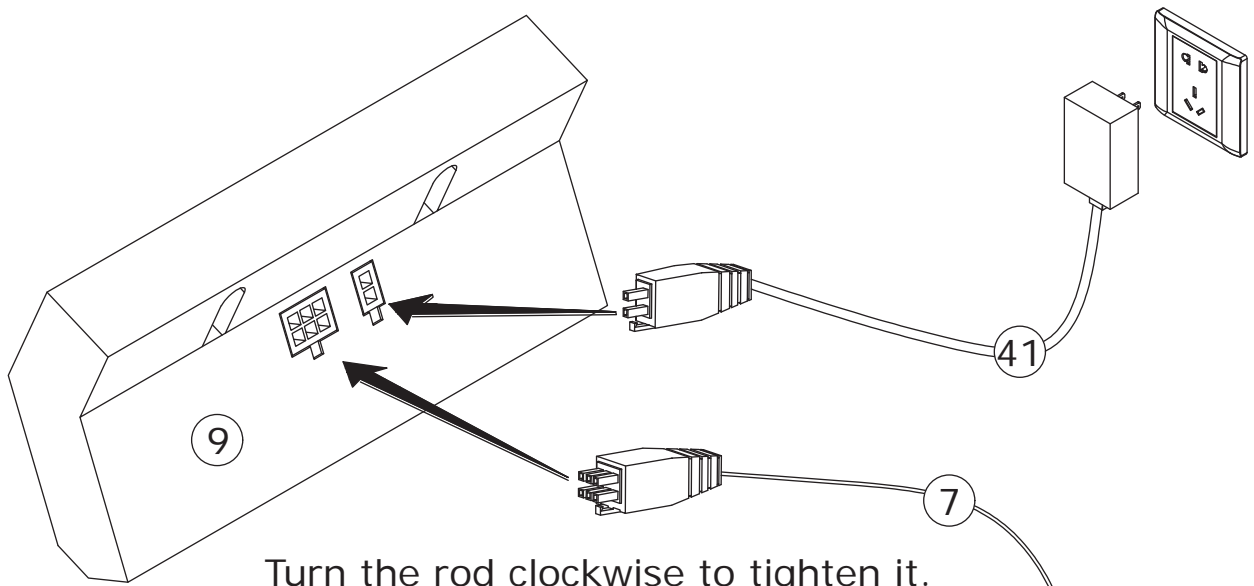
Fix part 6 and 7 to part 5 with washer(O), screw(M) and nut(N) at first.  
Insert short part 8 into the component as shown.

22

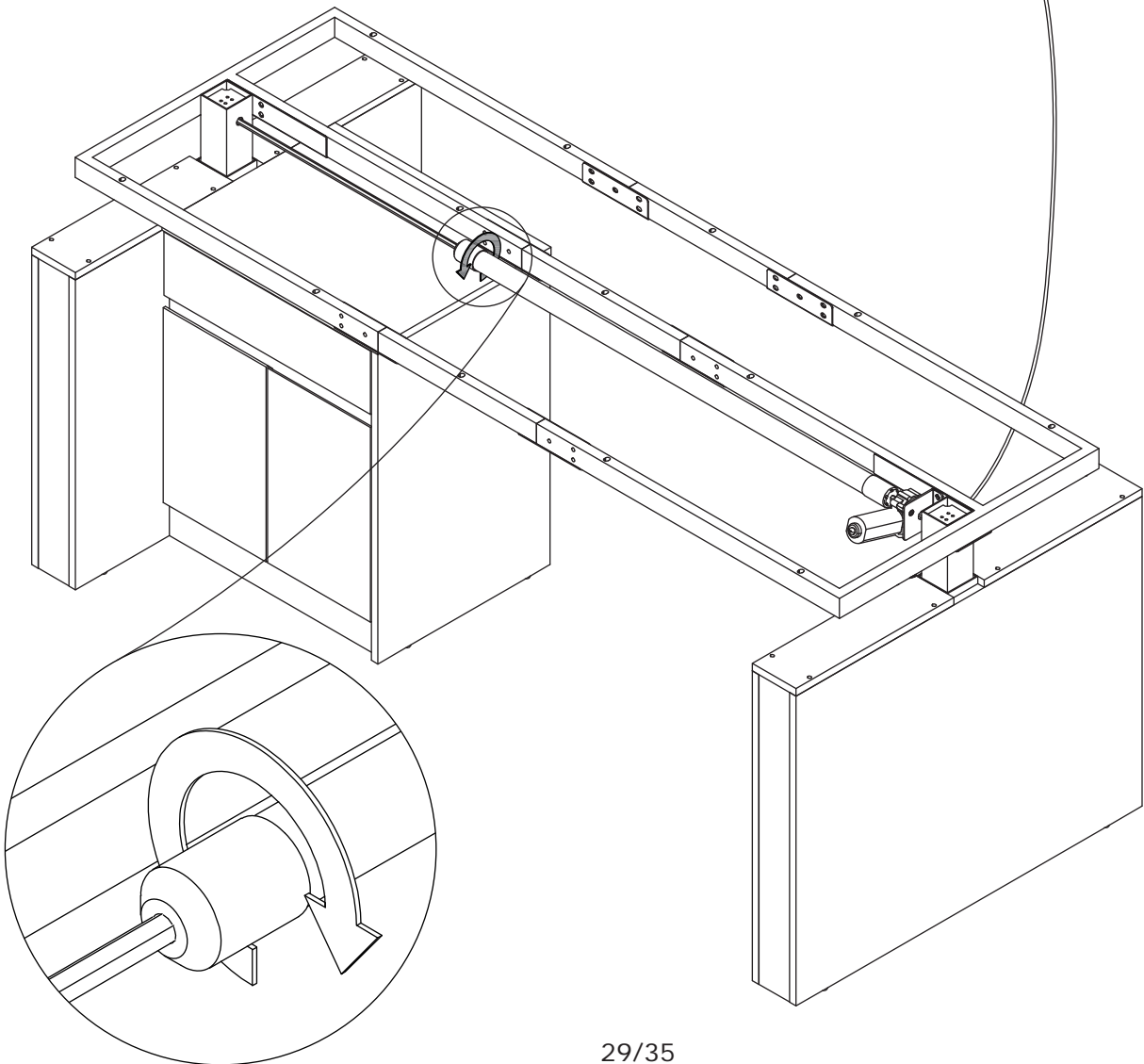


Insert long part 8 into the part 1 and connect to the short one as shown.

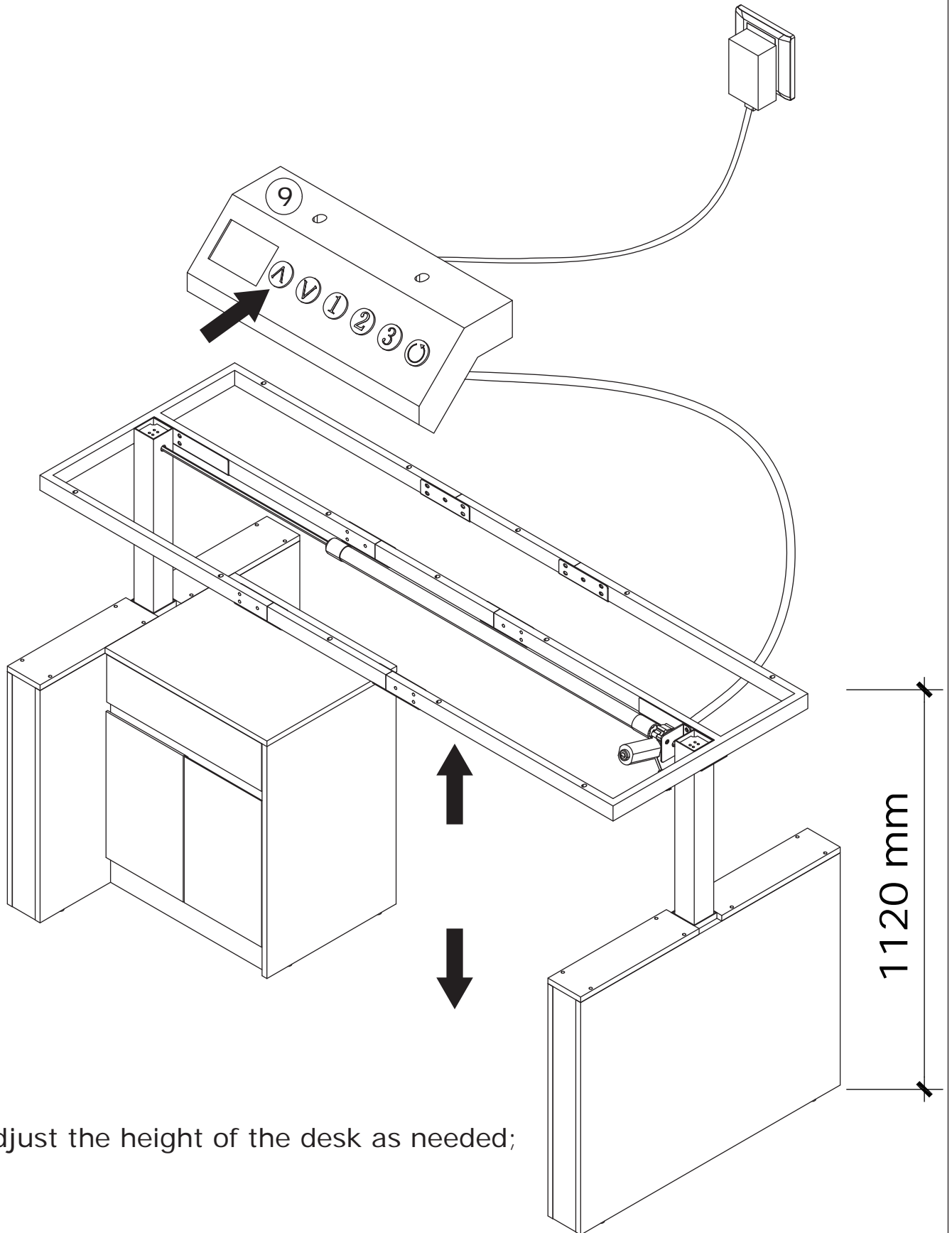
23



Turn the rod clockwise to tighten it.  
Connect power cable 7 and 41 to  
control panel 9 as shown.

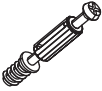


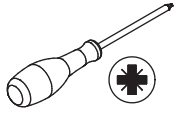


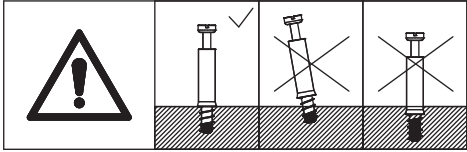
24



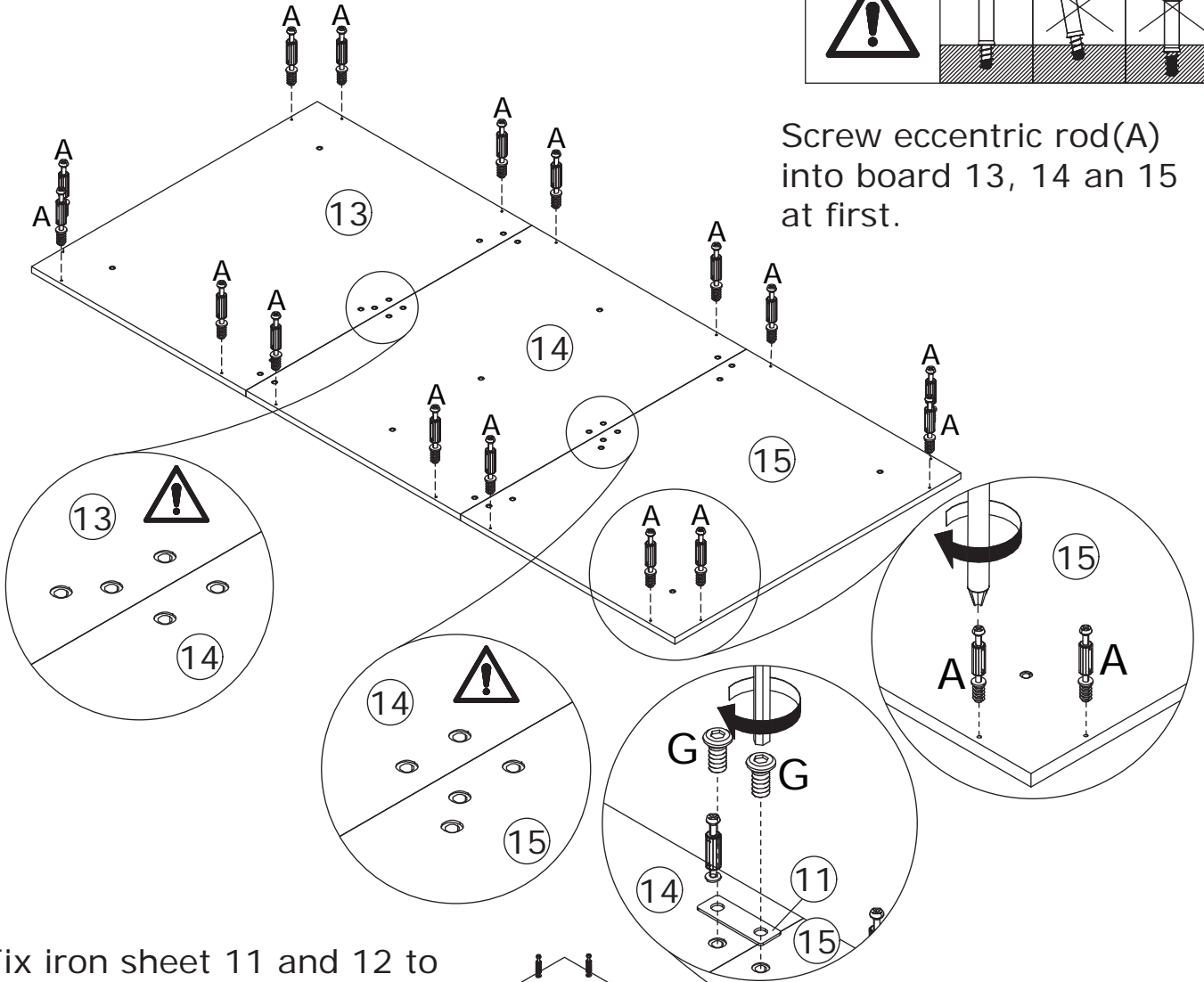
Adjust the height of the desk as needed;

25

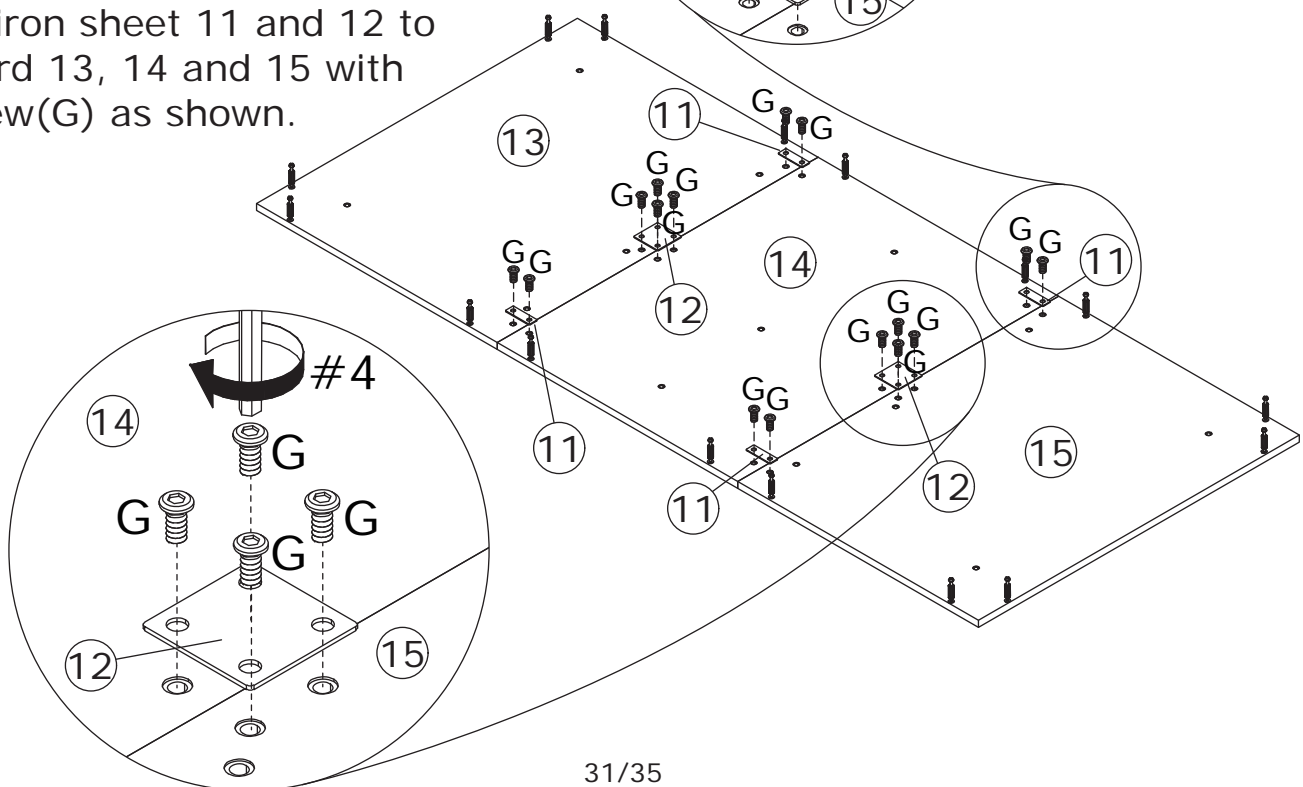
A x 16 M5 x 42 mm 	G x 16 M6 x 12 mm 	x 1 #4 	
---	---	--	---



Screw eccentric rod(A) into board 13, 14 and 15 at first.



Fix iron sheet 11 and 12 to board 13, 14 and 15 with screw(G) as shown.

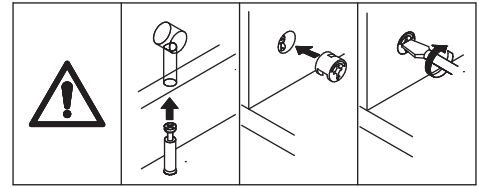
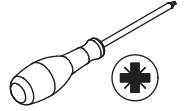


26

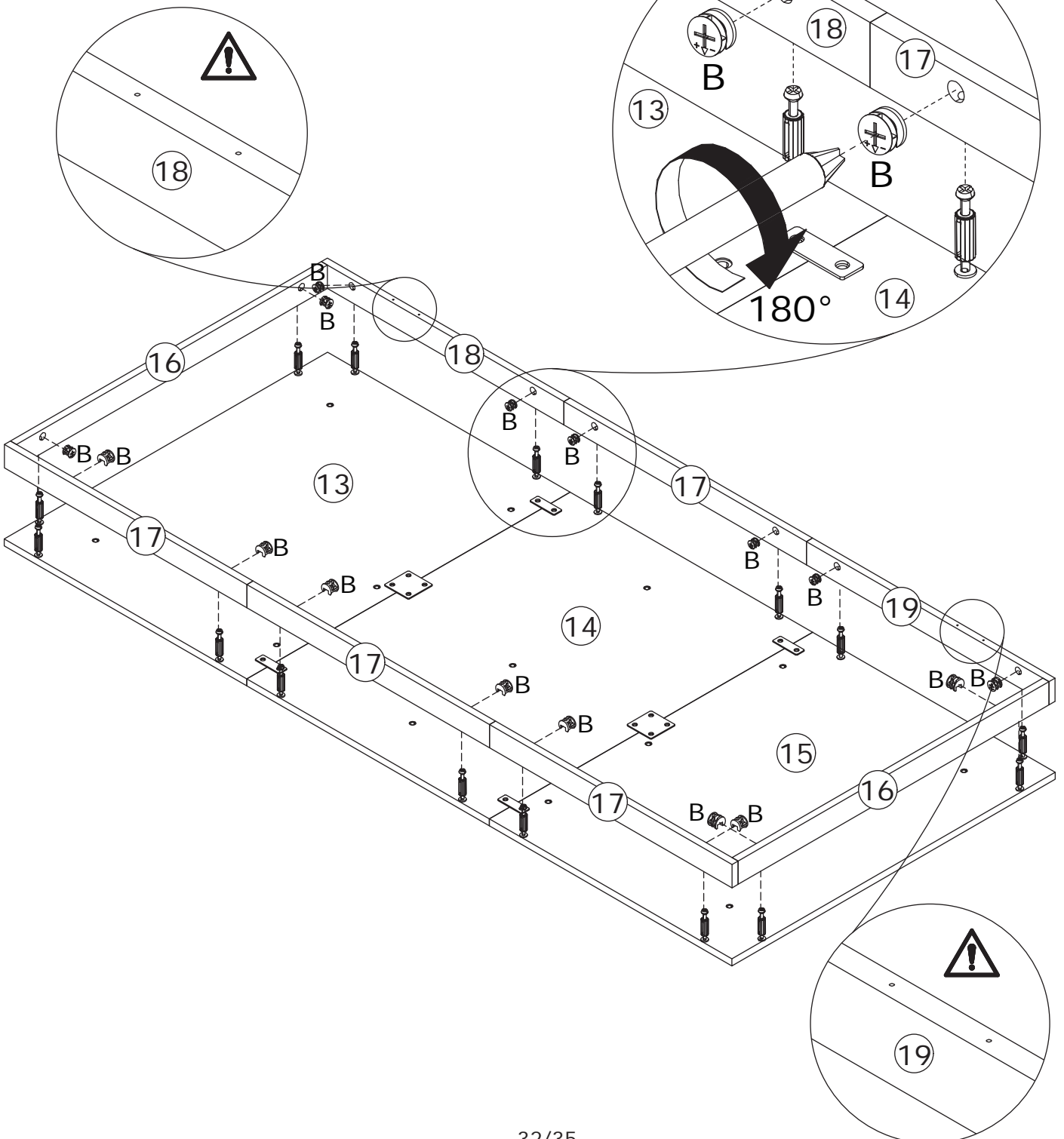
B x 16



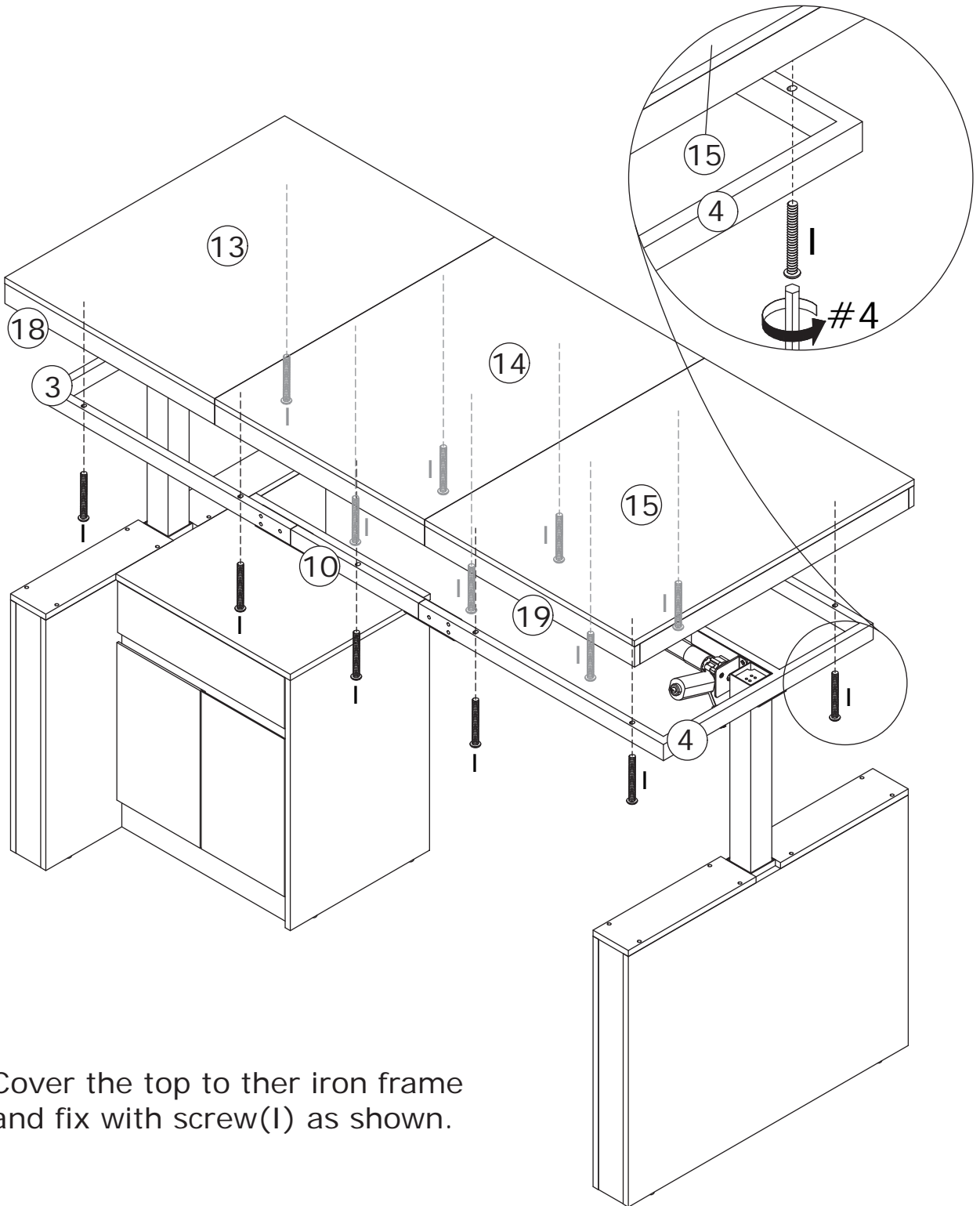
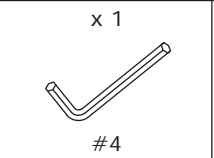
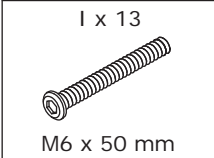
Ø15 x 12 mm



Attach board 16, 17, 18 and 19 to board 13, 14 and 15, add cam lock(B) into and turn clockwise to tighten as shown.



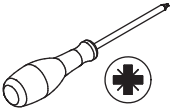
27



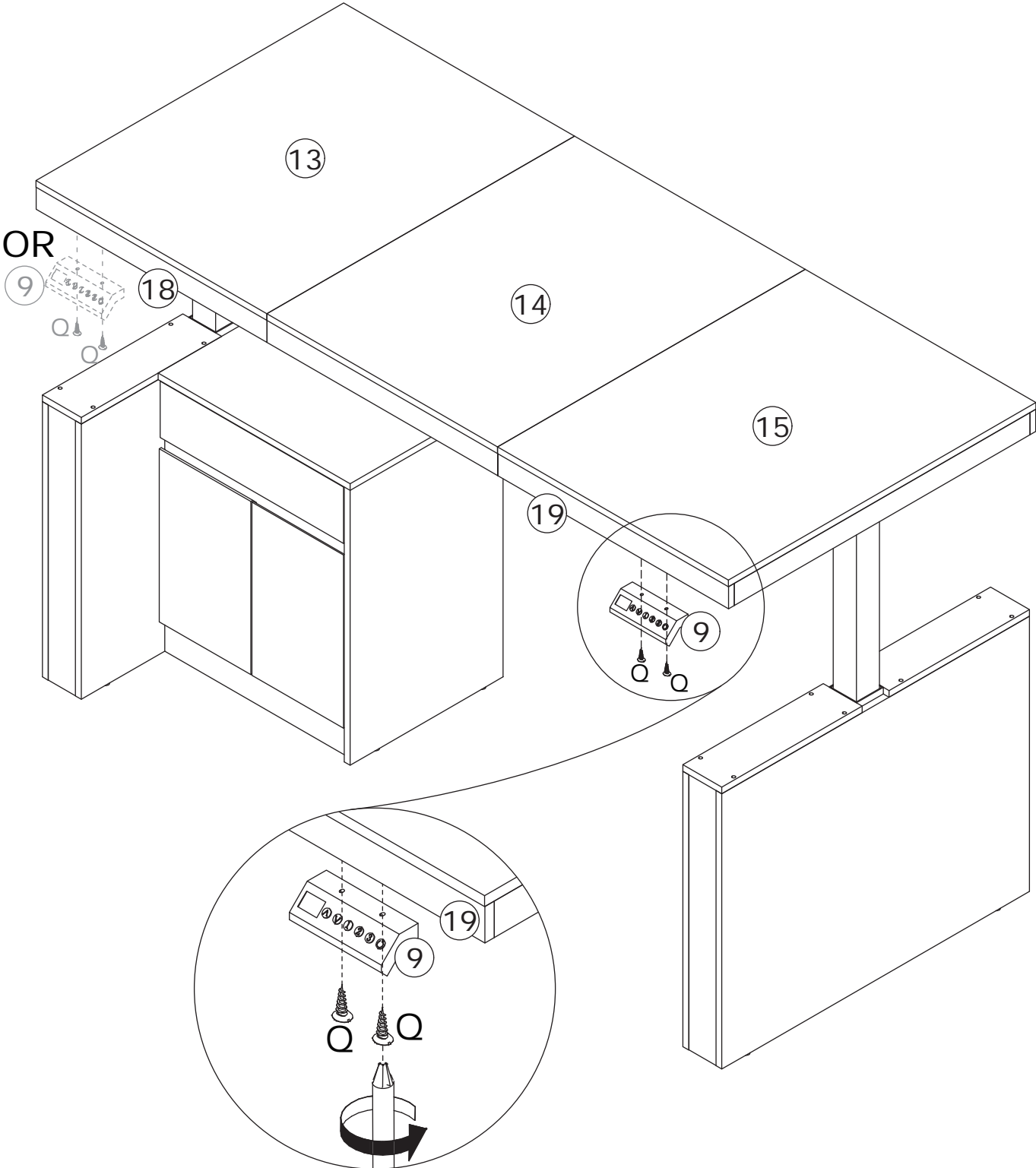
Cover the top to the iron frame and fix with screw (I) as shown.

28

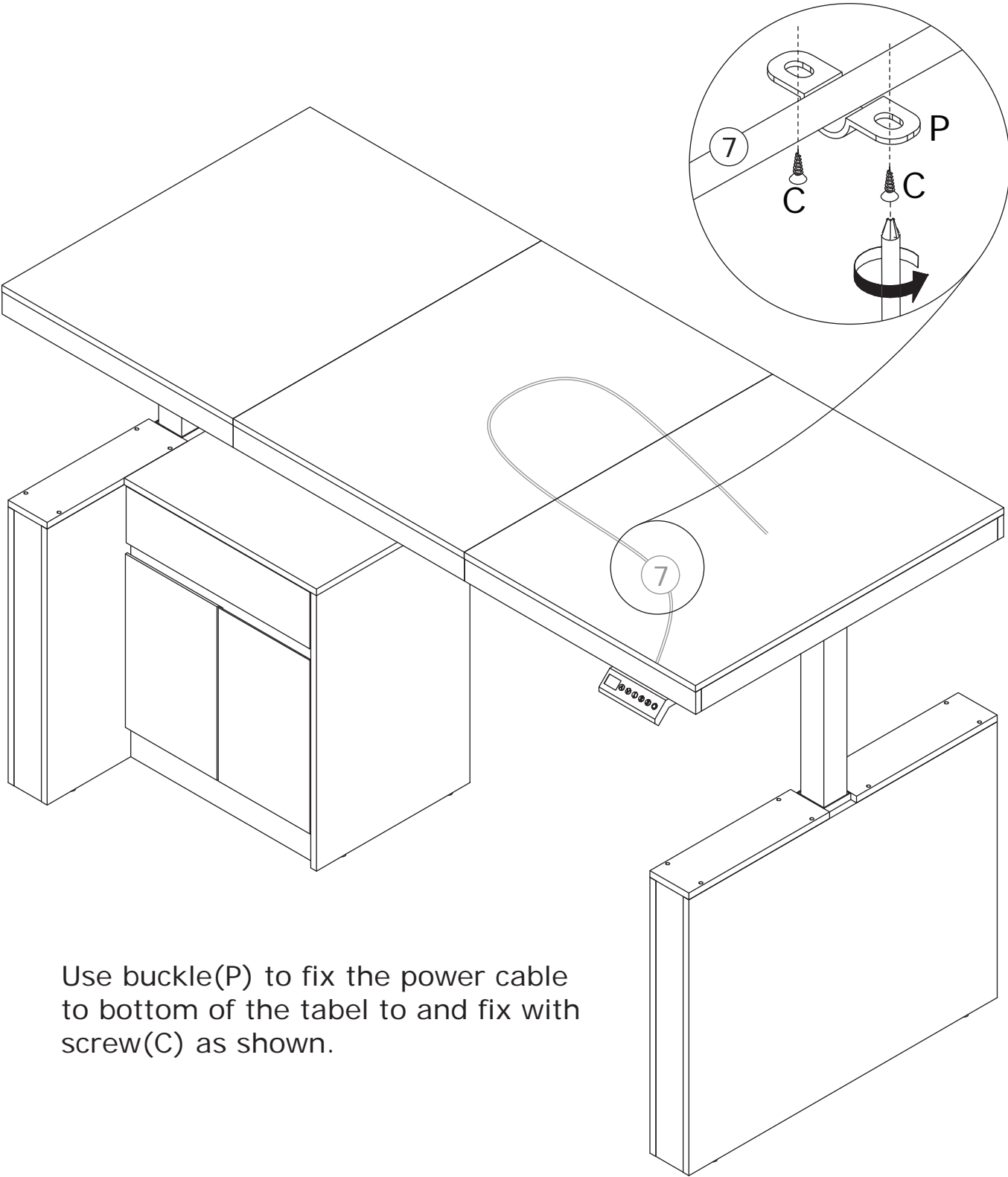
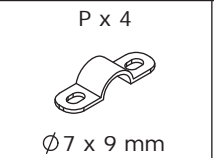
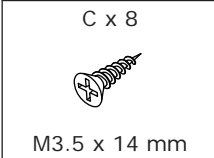
Q x 2  
M3.5 x 16 mm



Fix control panel 9 to board 18 or 19 with screw(Q) as shown.



29



Use buckle(P) to fix the power cable to bottom of the tabel to and fix with screw(C) as shown.

# WARRANTY

## WARRANTY CLAIMS

- There is a 30-day warranty for broken furniture or any other problems that do not work properly. The warranty will start from the date of purchase which must be verified by proof of purchase.
- Before making a claim, we may be able to answer your query, simply call us. Please leave your purchase order number, along with some details of the problem, if you want a replacement part. We will arrange within 48 hours. If there is out of stock, we will reply with a shipping date.
- The product must be used in accordance with the instructions provided. For health reasons.
- For other reasons, if the furniture needs to be returned, it must be cleaned and dried and operated within 30 days of receipt.

## Type of Warranty Claim

- Failure to follow the furniture instructions will invalidate the warranty. Attention please.
- Does not include damage during installation, but includes damage during transportation.

## Scope of responsibility

- Shall not bear any responsibility for misuse or user damage and / or loss of parts during the installation of furniture.
- After using, the damage and scratches of the furniture are not covered by the warranty.

## The Warranty Relates to All Bought in The Us and Covers The Following Areas

- Sheet parts: 1 month from the date of purchase.
- Electrical parts: 1 month from the date of purchase.