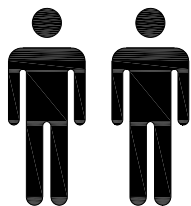


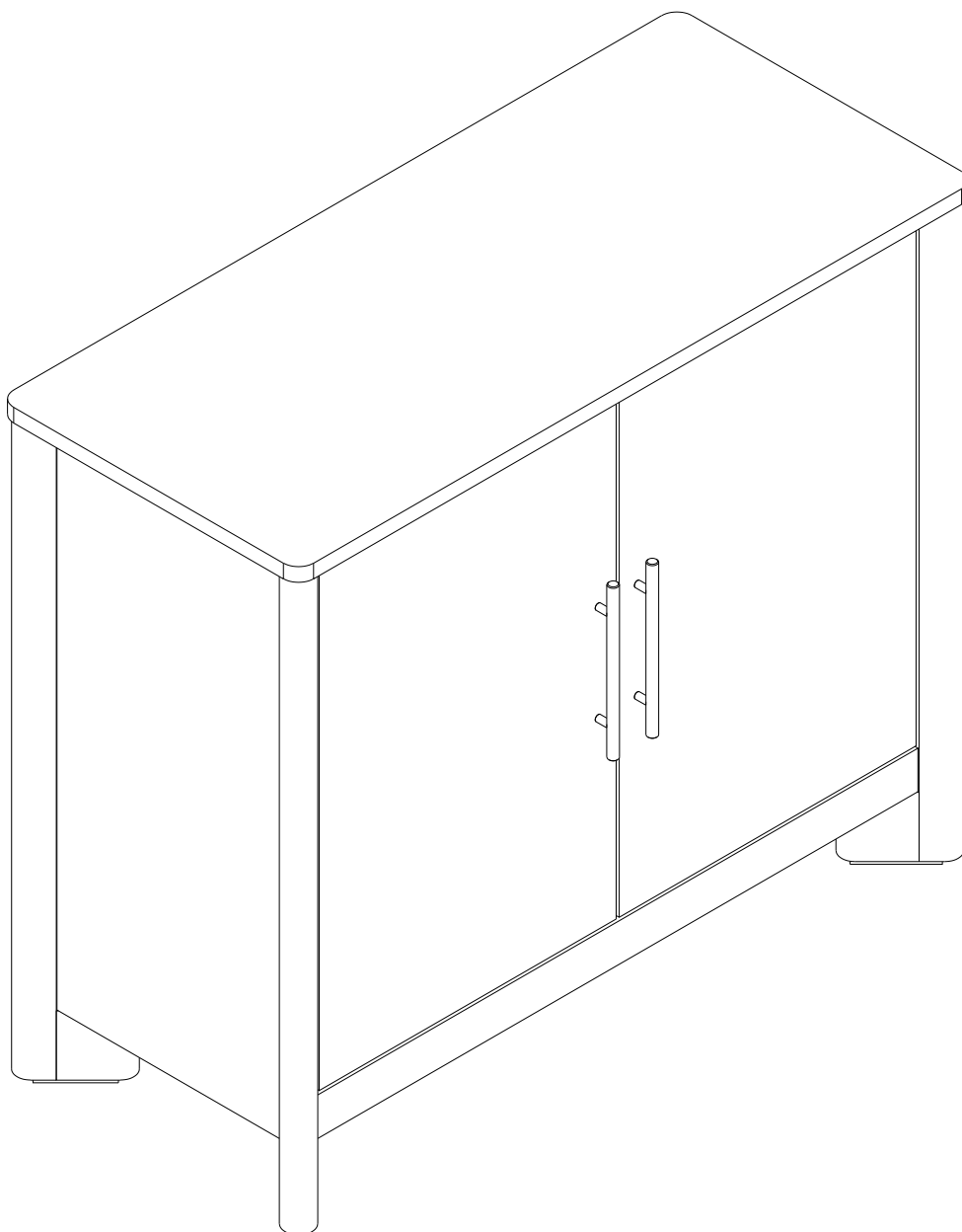
ASSEMBLY INSTRUCTION

If there are any questions during the assembly process.

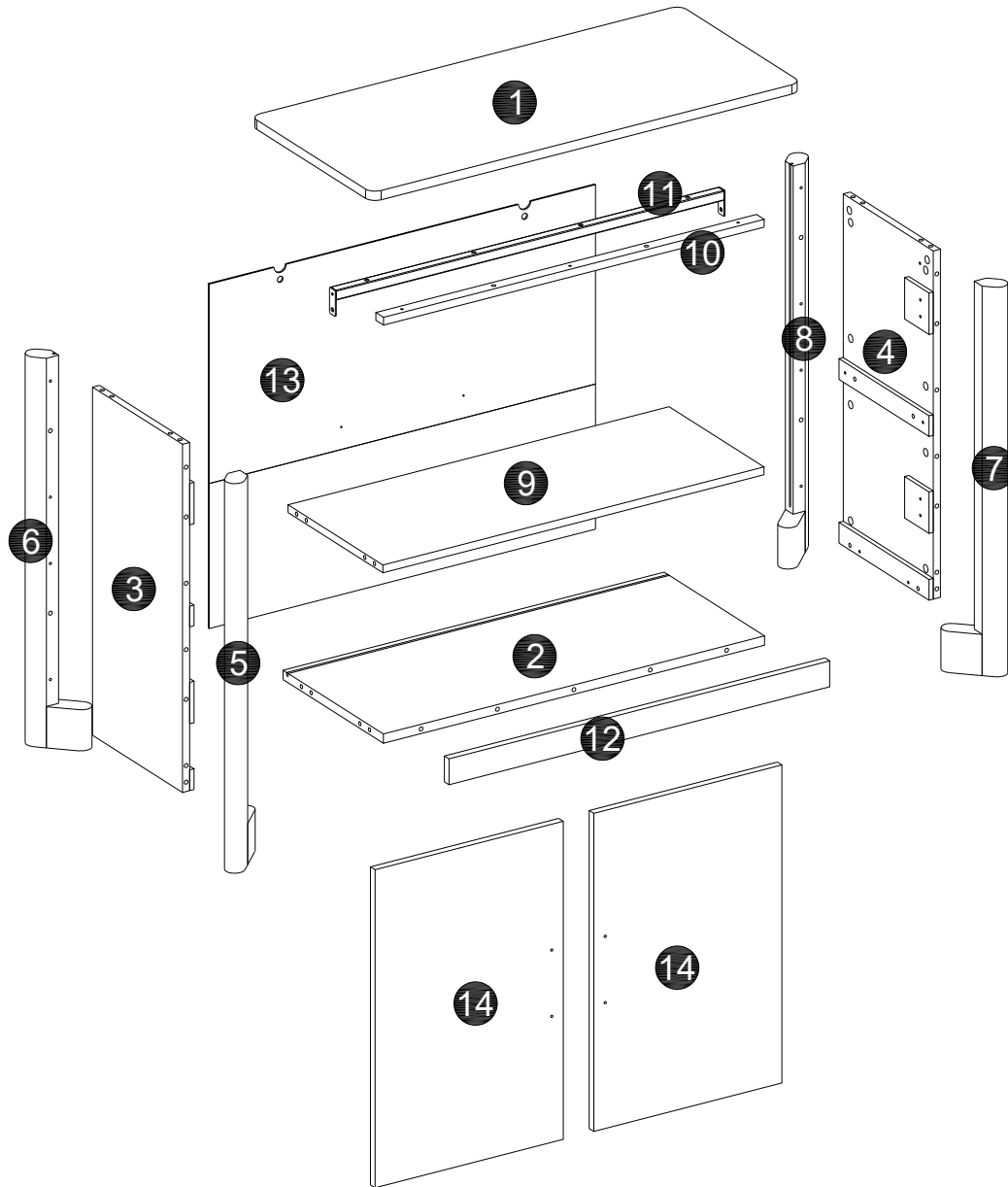
A video and description about the step you were stucked will help us to understand the problem quickly.

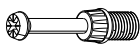

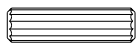
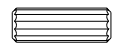
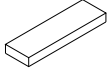
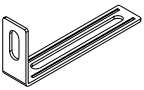
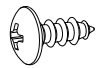

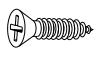
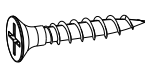
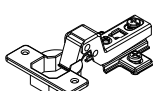

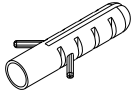
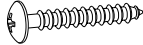

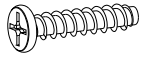
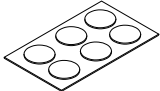


2 person required to
assemble this product

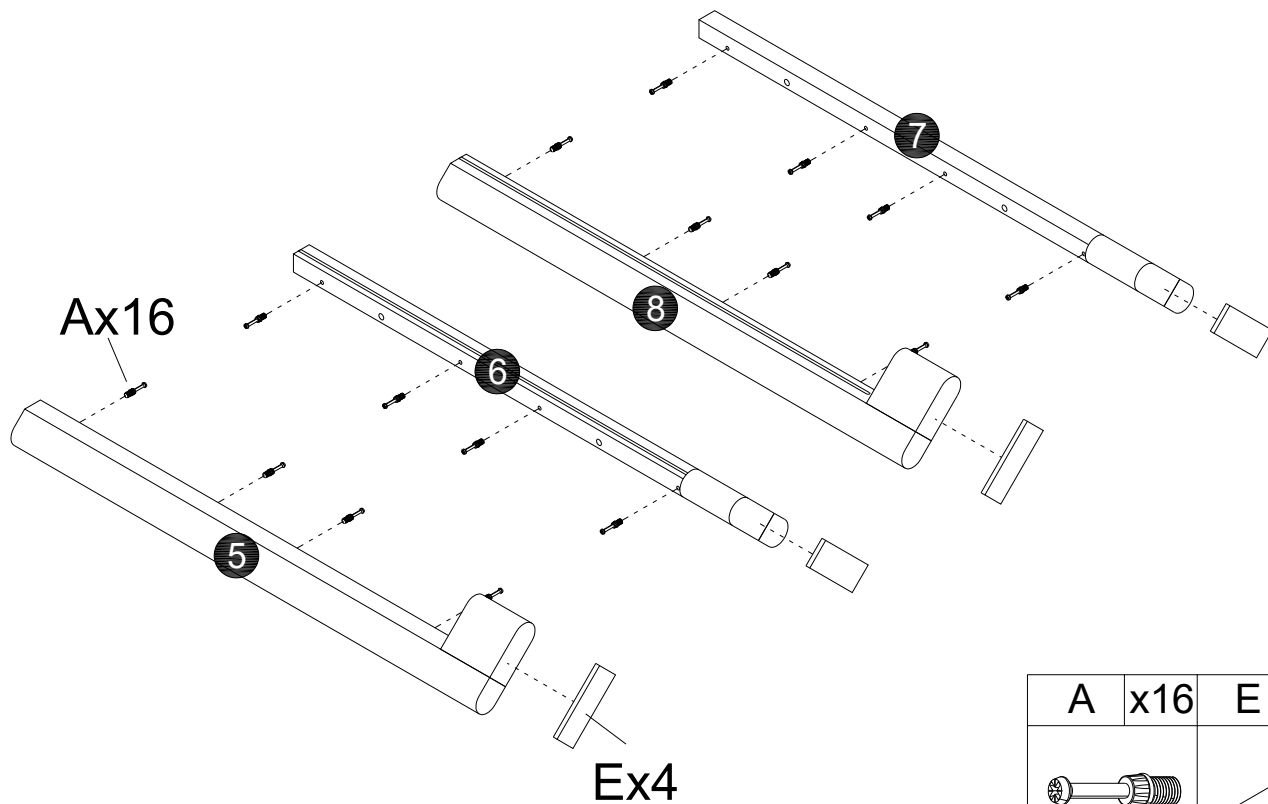


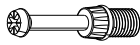
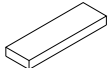
ASSEMBLY INSTRUCTION



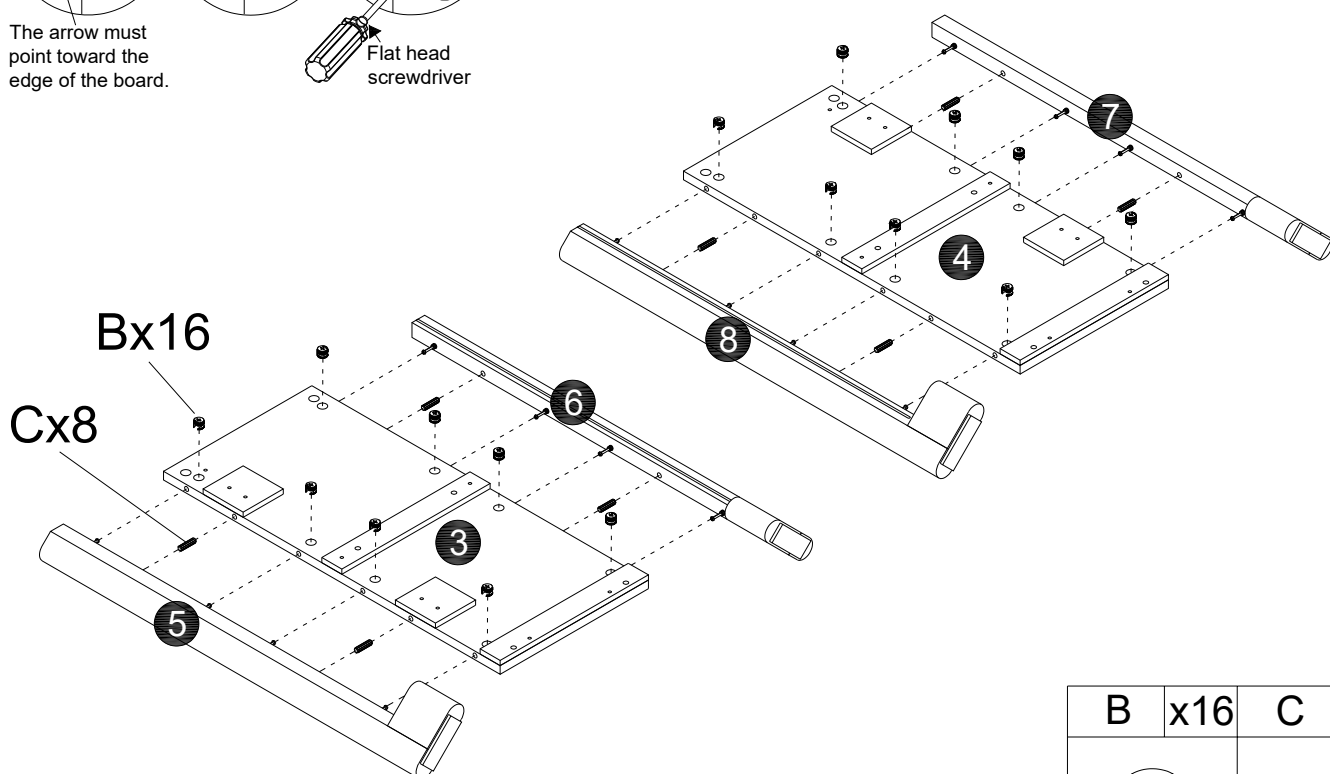
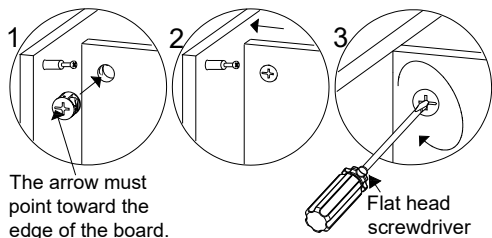
A	x31	B	x31	C	x22	D	x2	E	x4	F	x2	G	x4	H	x6	I	x16
																	
M6x35mm	Ø15mm	Ø8x30mm	Ø8x20mm	85x25x5		M3.5x14mm		M3.5x16mm									
J	x3	K	x4	L	x2	M	x2	N	x2	O	x2	P	x4	Q	x4		
																	
M5x25mm				M5x38mm	M6x12mm	M6x28mm	Ø25										



1



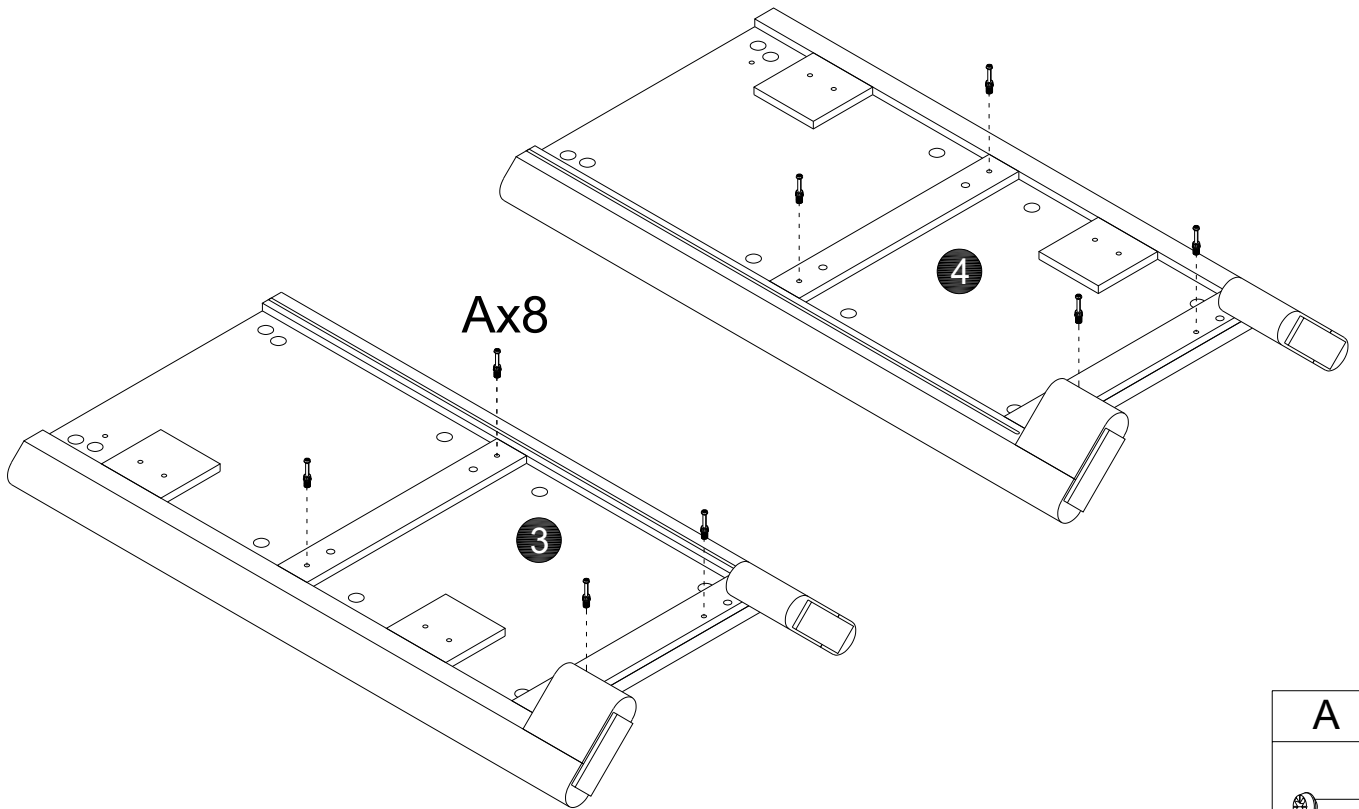
A	x16	E	x4
			
M6x35mm		85x25x5	

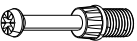
2



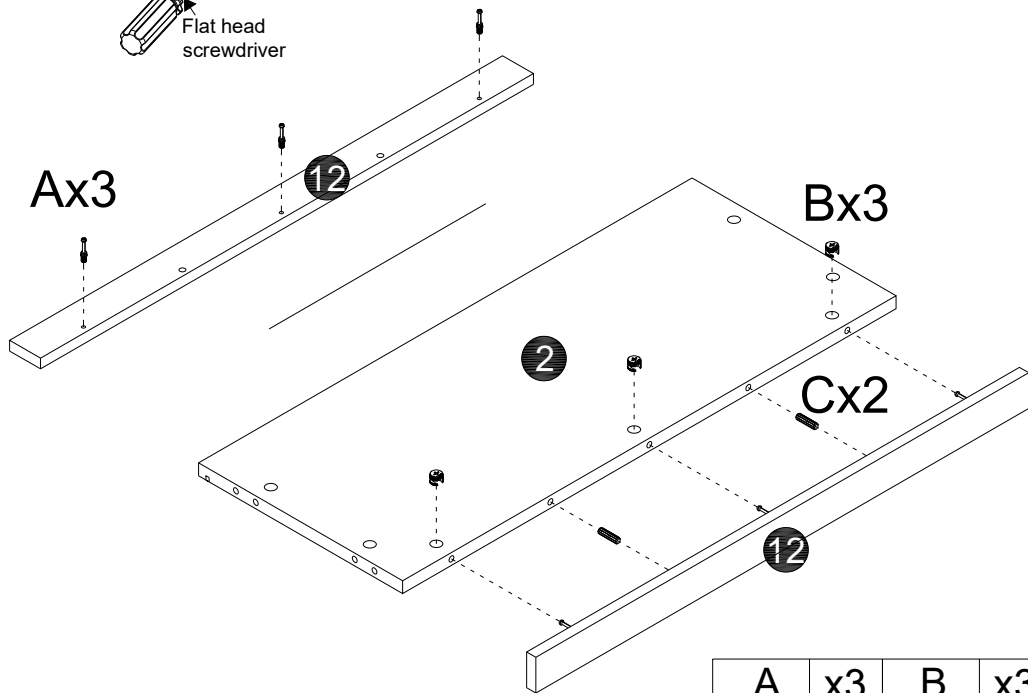
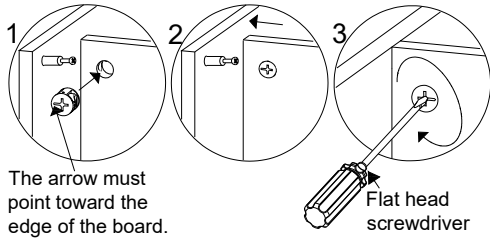
B	x16	C	x8
			
Ø15mm		Ø8x30mm	

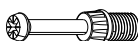


3



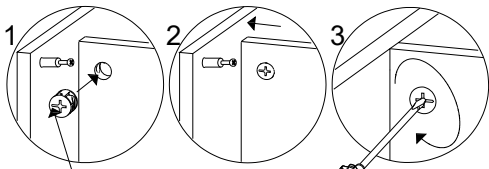
A	x8
	
M6x35mm	

4



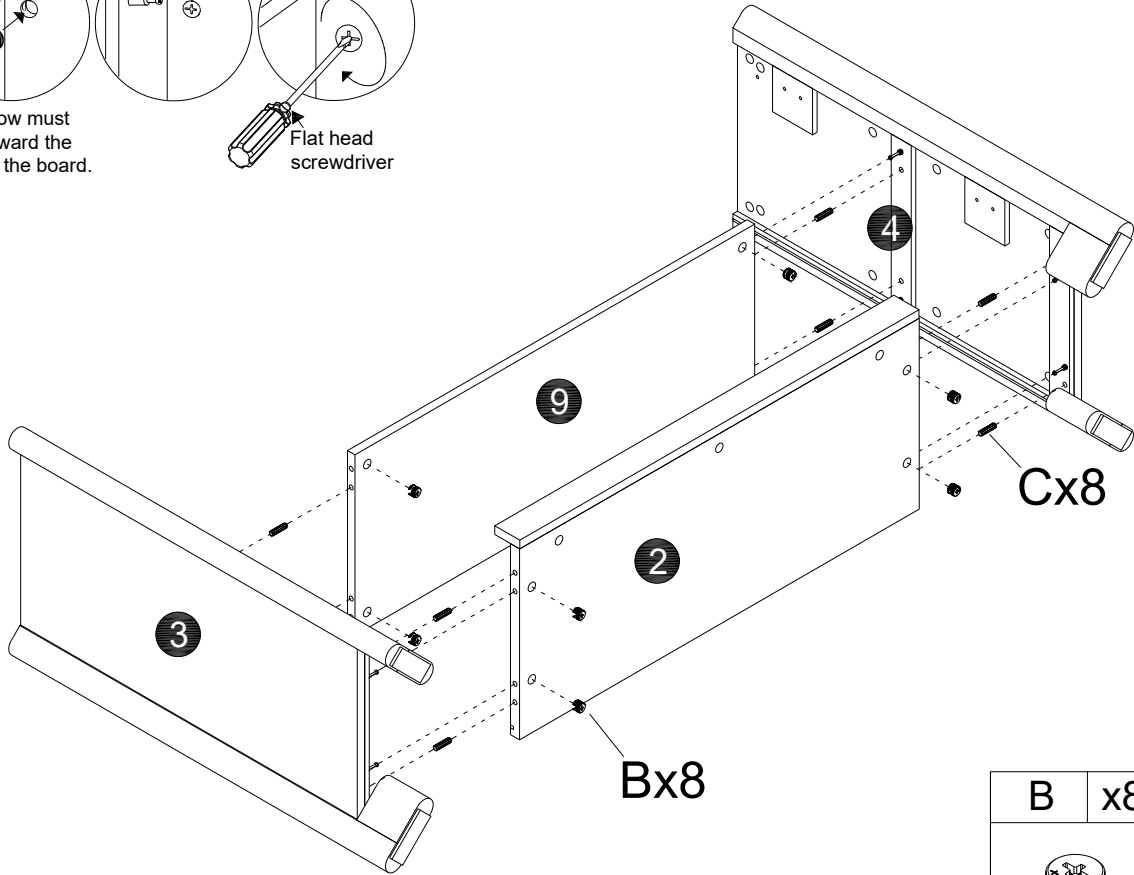
A	x3	B	x3	C	x2
					
M6x35mm		Ø15mm		Ø8x30mm	



5



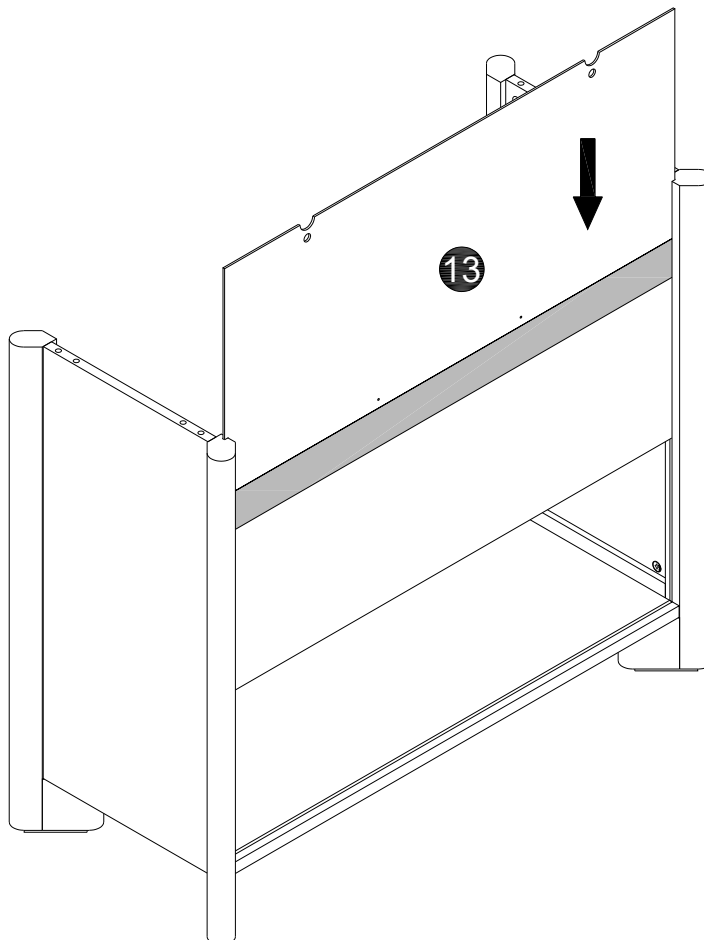
The arrow must point toward the edge of the board.

Flat head screwdriver

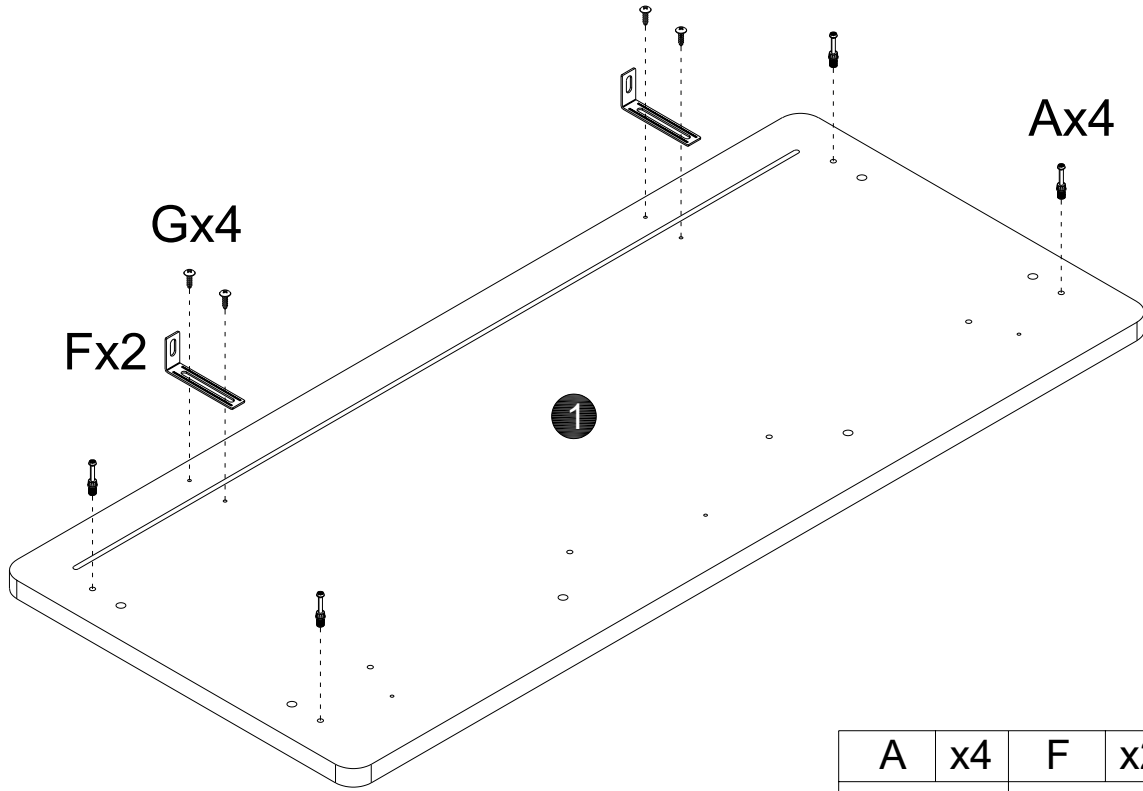



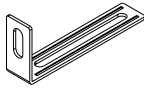
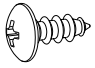
B	x8	C	x8
			
Ø15mm		Ø8x30mm	

6

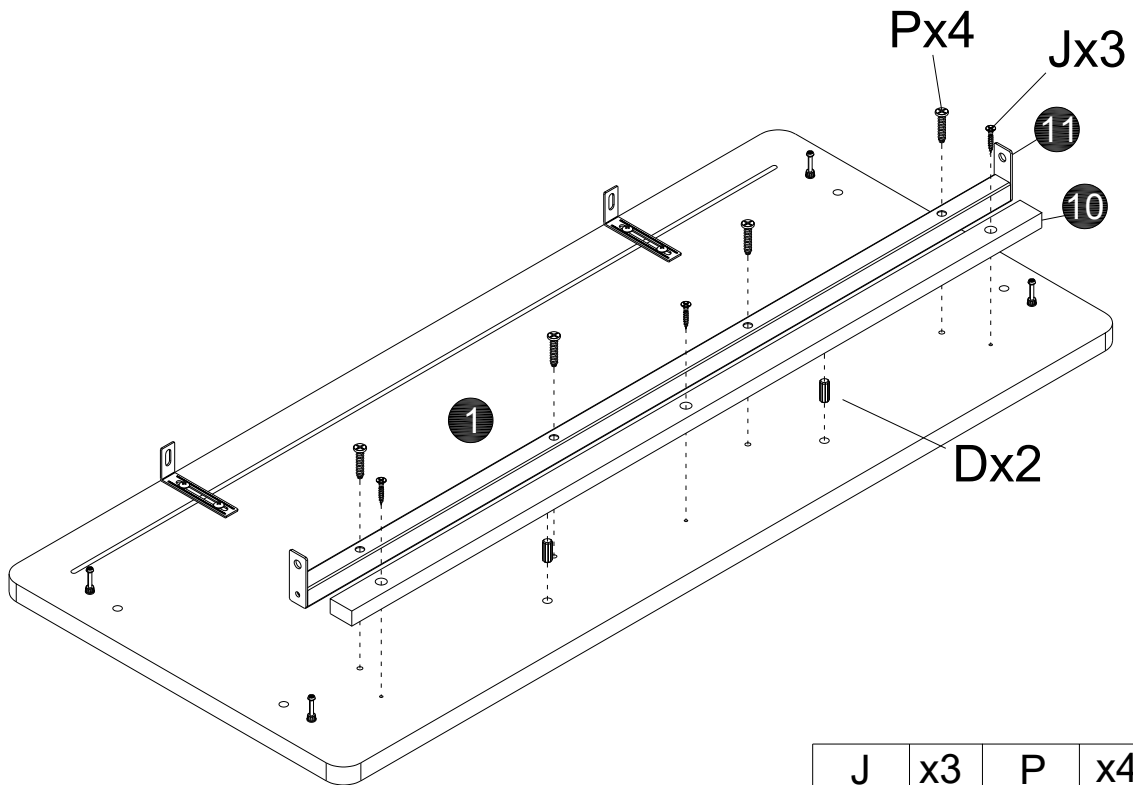


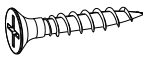
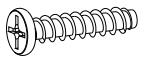

7



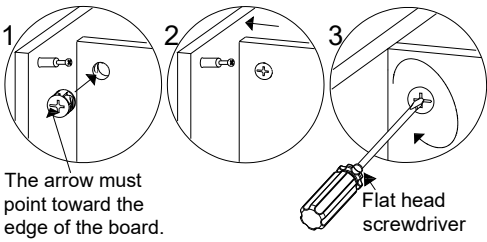
A	x4	F	x2	G	x4
					
M6x35mm				M3.5x14mm	

8

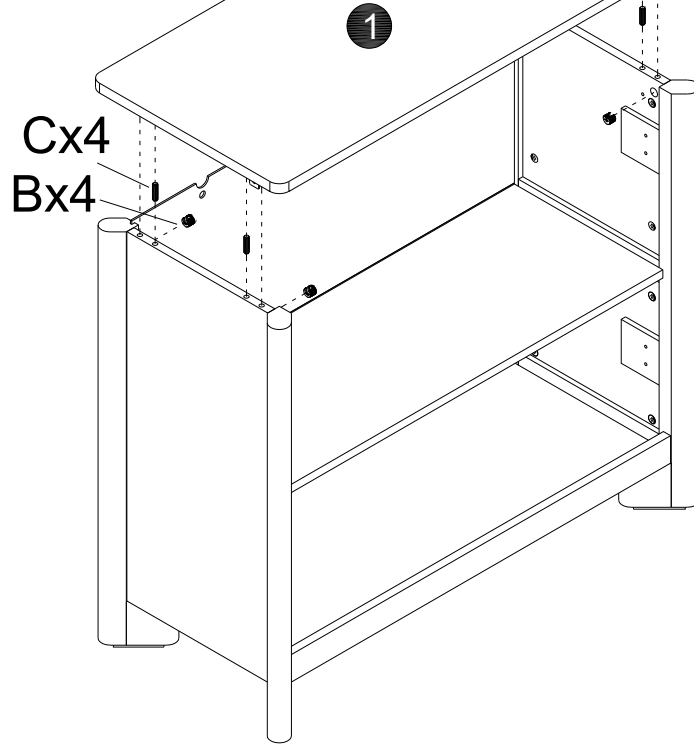


J	x3	P	x4	D	x2
					
M5x25mm		M6x28mm		ø8x20mm	



9



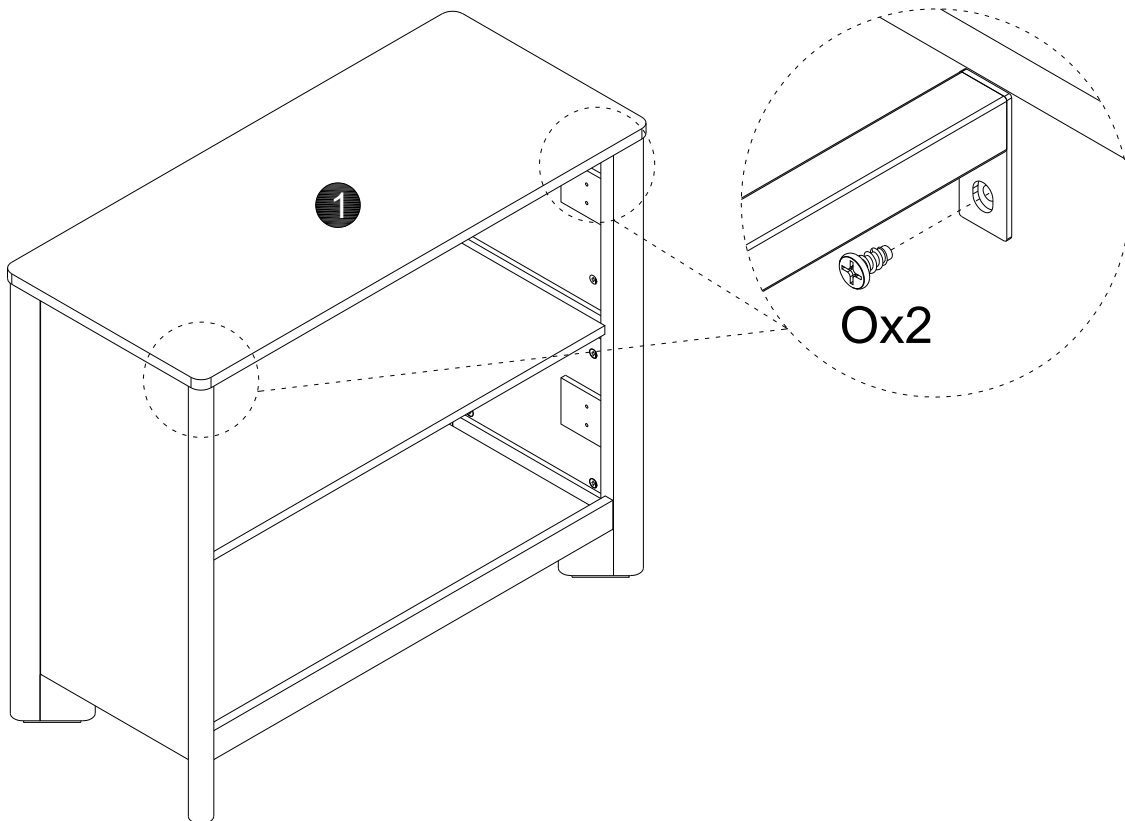
The arrow must point toward the edge of the board.



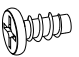
Cx4
Bx4

B	x4	C	x4
			
Ø15mm		Ø8x30mm	

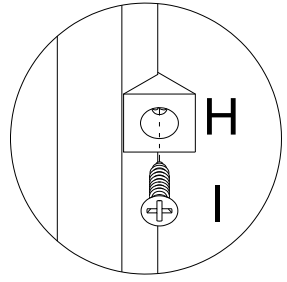
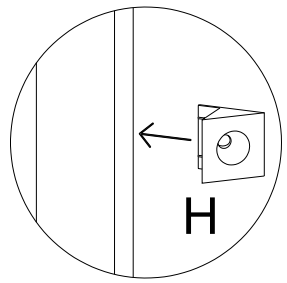
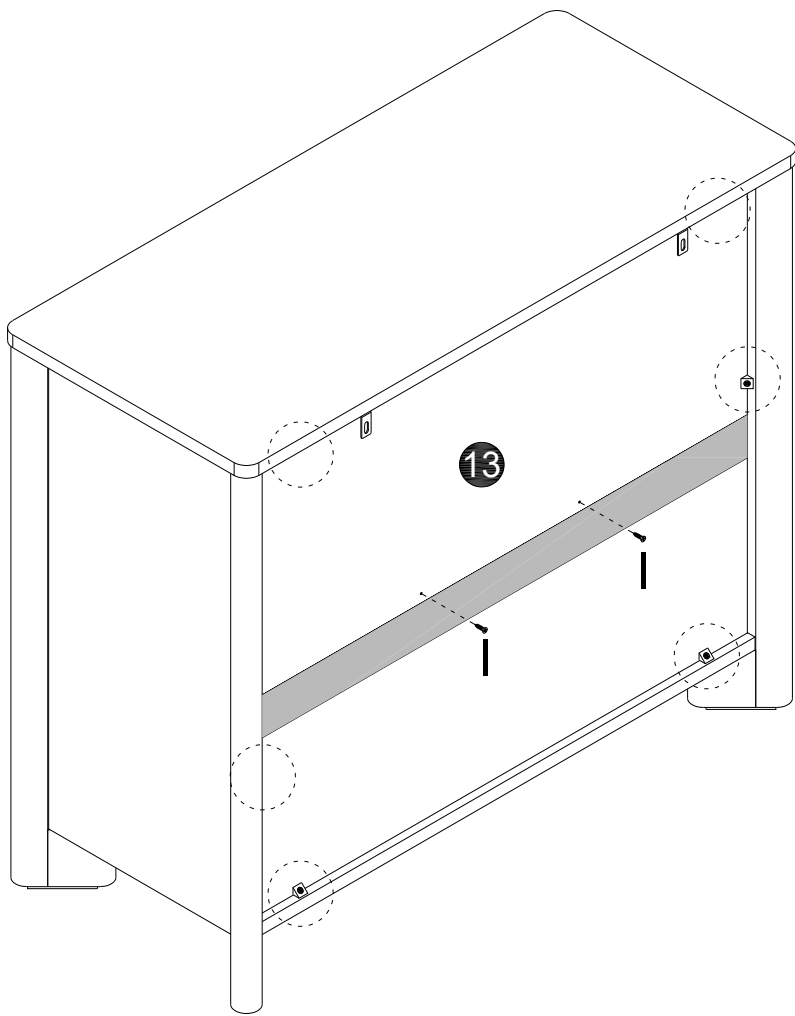
10



Ox2

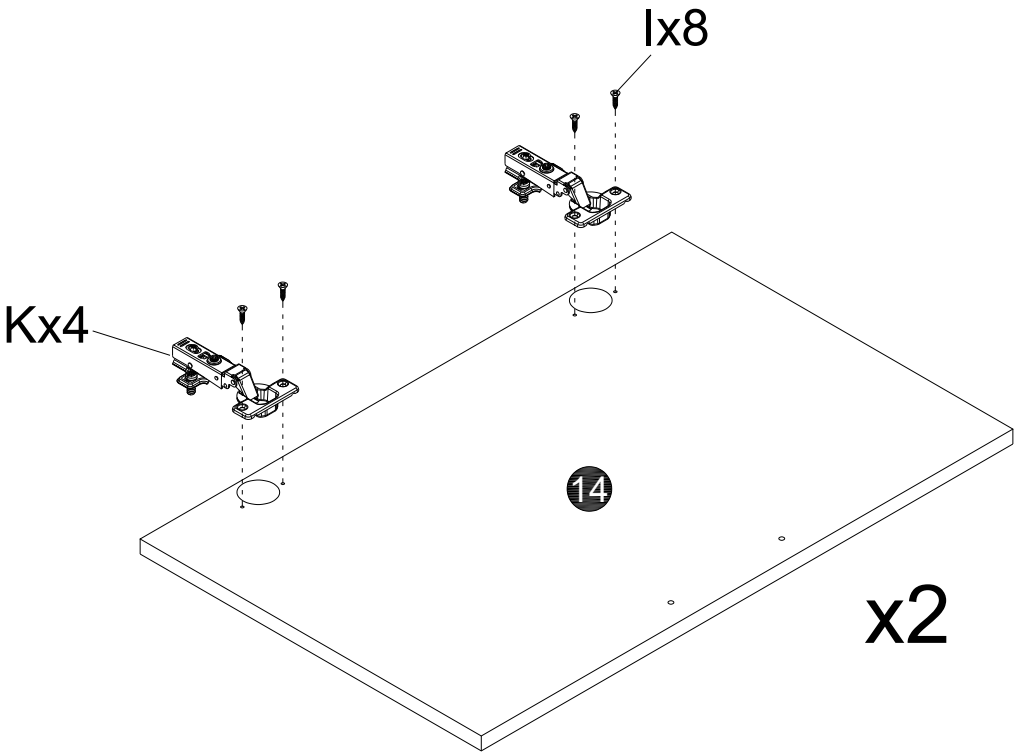
O	x2
	
M6x12mm	

11



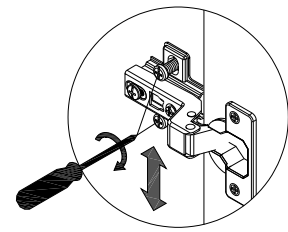
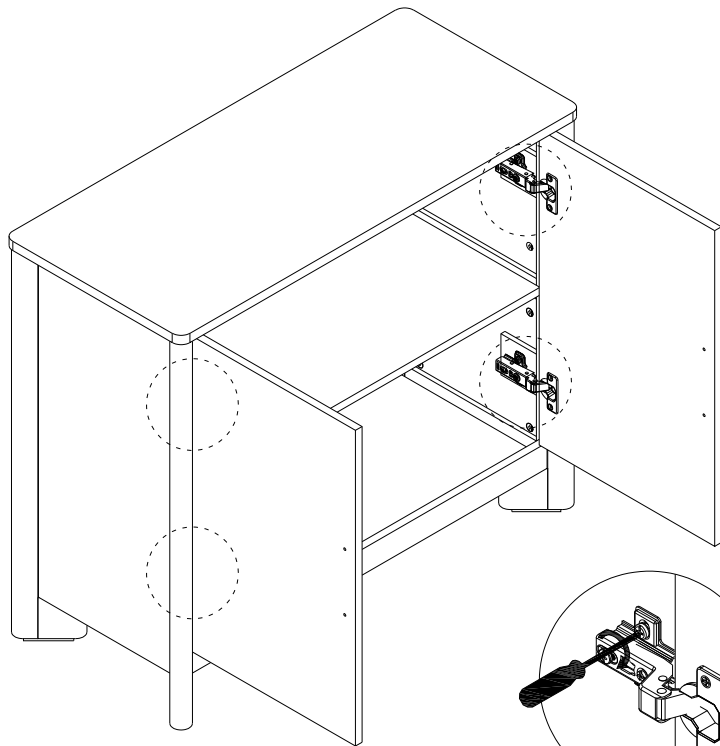
H	x6	I	x8
M3.5x16mm			

12

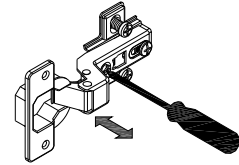


K	x4	I	x8
M3.5x16mm			

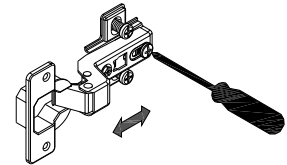
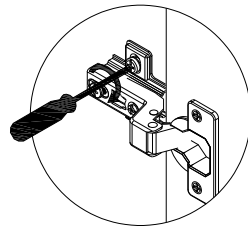
13



Align the screws with the reserved holes, adjust the position of the door up and down, and then tighten the screws.

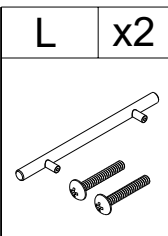
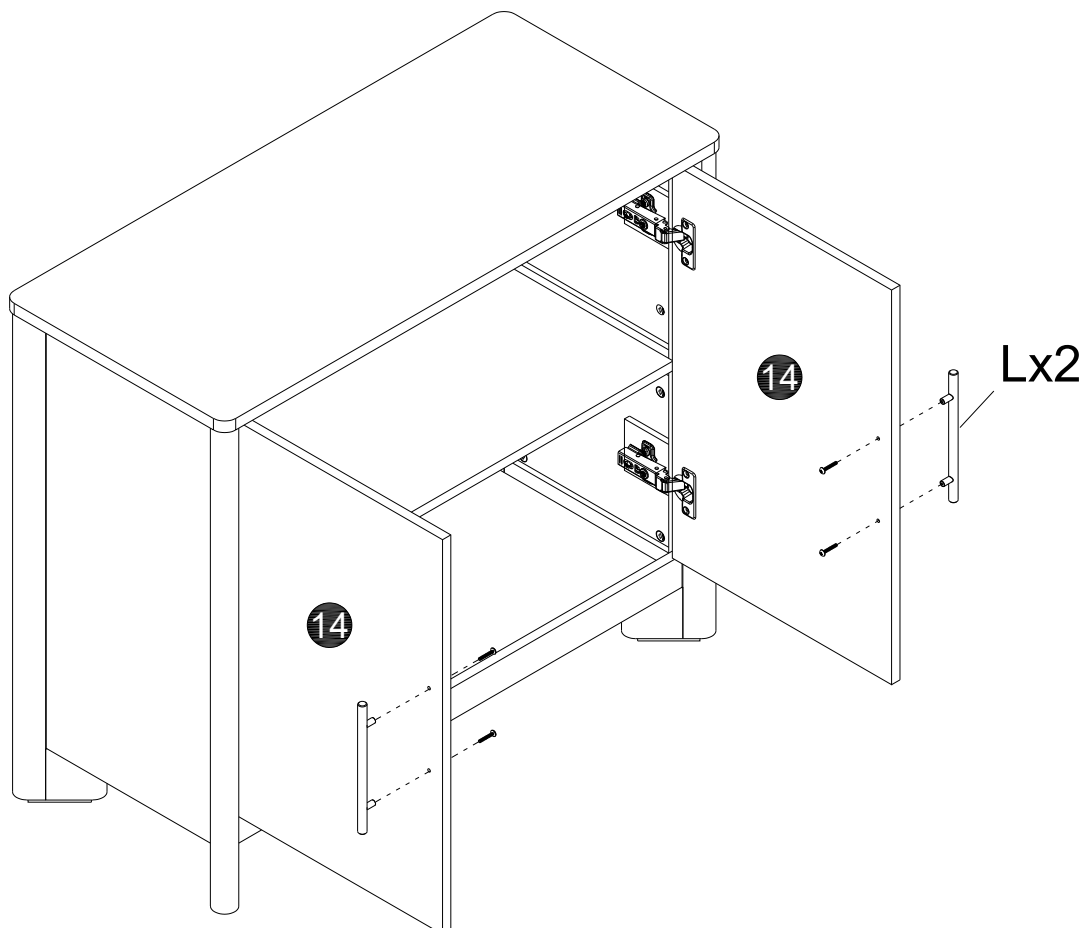


Adjust the left and right position of the door by rotating the screws counterclockwise or clockwise.



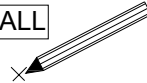
Loosen the screws, move the position of the door forward and backward. Then tighten the screws.

14



15

WALL



1 x2

WALL



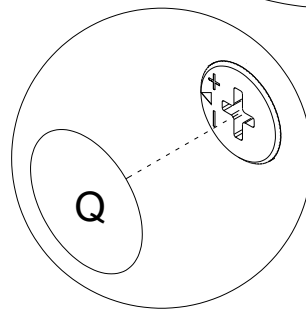
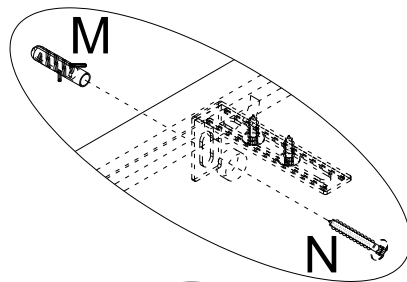
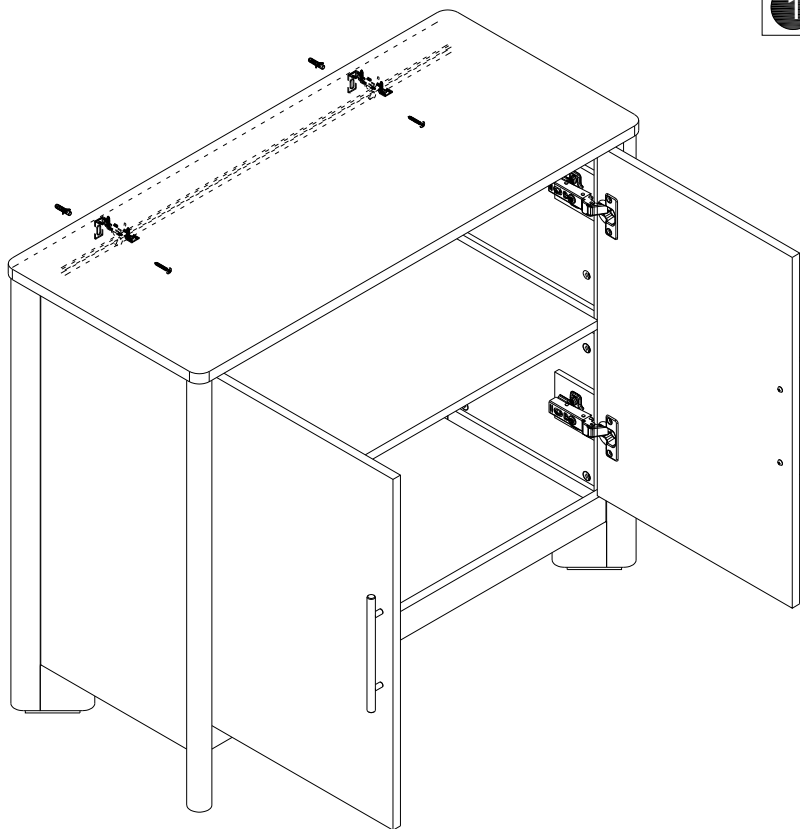
drilling hole
Ø6*30mm

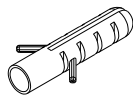
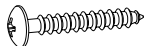
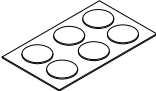
2 x2

WALL



3 x2



M	x2	N	x2	Q	x4
					
		M5x38mm		Ø25	

16

