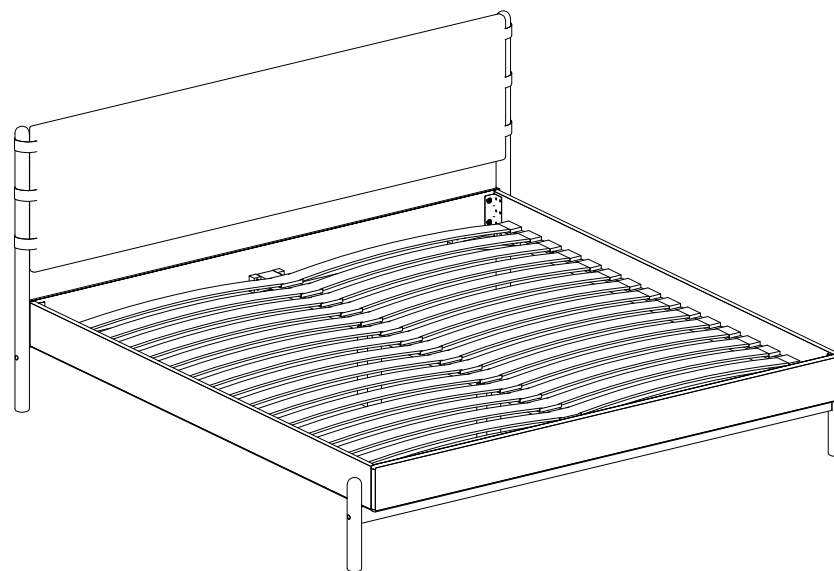


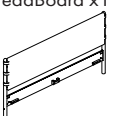
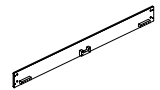



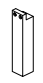
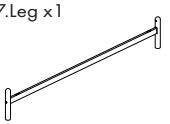

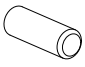
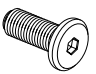

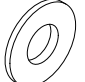
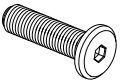
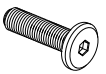
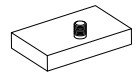
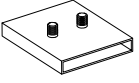

ASSEMBLY INSTRUCTIONS.

COLBY KING BED BROWN



THANK YOU FOR YOUR PURCHASE!

PARTS AND HARDWARE.

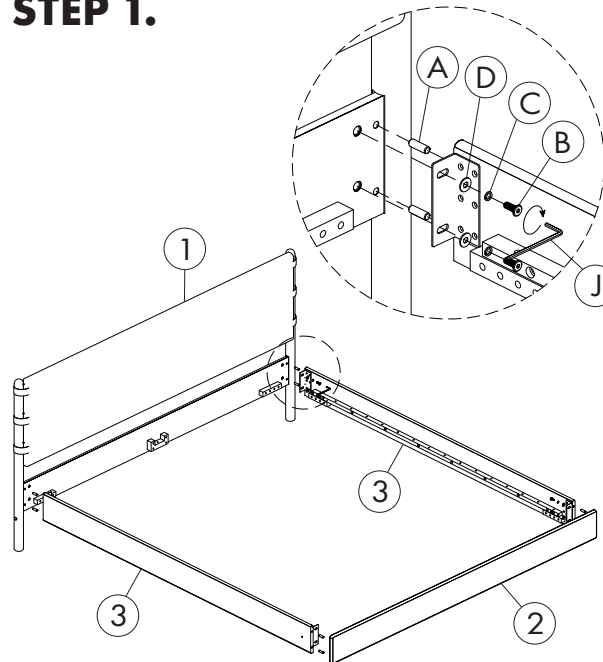
1.HeadBoard x1 	2.FootBoard x1 	3.SideBoard x2 
4.Corner Block x4 	5.Center Beam x1 	6.Center Leg x2 
7.Leg x1 	8.Slats x32 	A.Wooden dowel Ø10-30 x8 
B.F-Bolt M8-20 x8 	C.Spring Washer x8 	D.Flat Washer x8 
E.F-Bolt M8-35 x16 	F.F-Bolt M6x35 x12 	G.Plastic Caps x32 
H.Plastic Caps Middle x16 	J.Allen Key x2 	

NOTES.

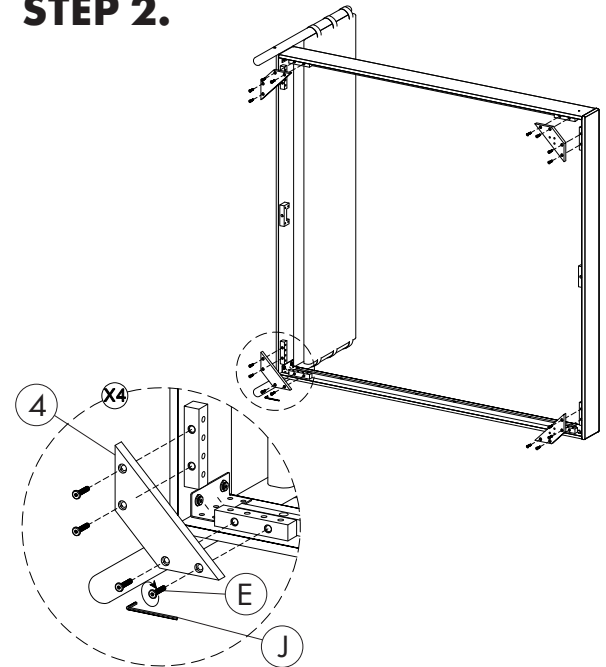
Thank you for purchasing this quality product! Be sure to check all packing material carefully for small part that may have come loose inside the carton during shipping.

CAUTION: The item is heavy, take care when lifting and use 2 people to maneuver safely.

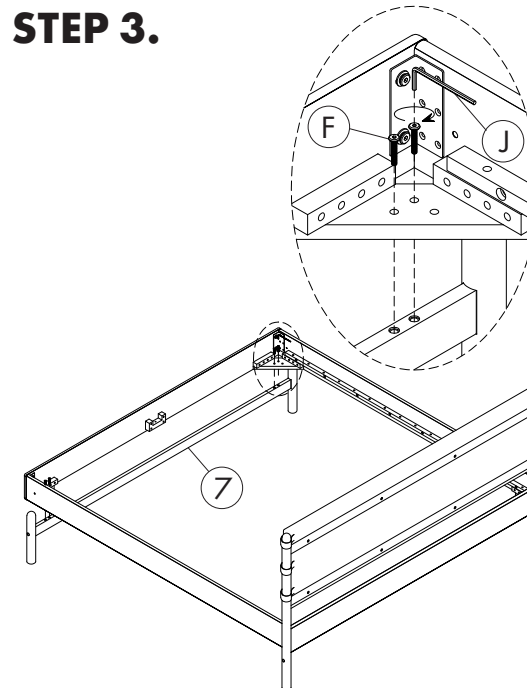
STEP 1.



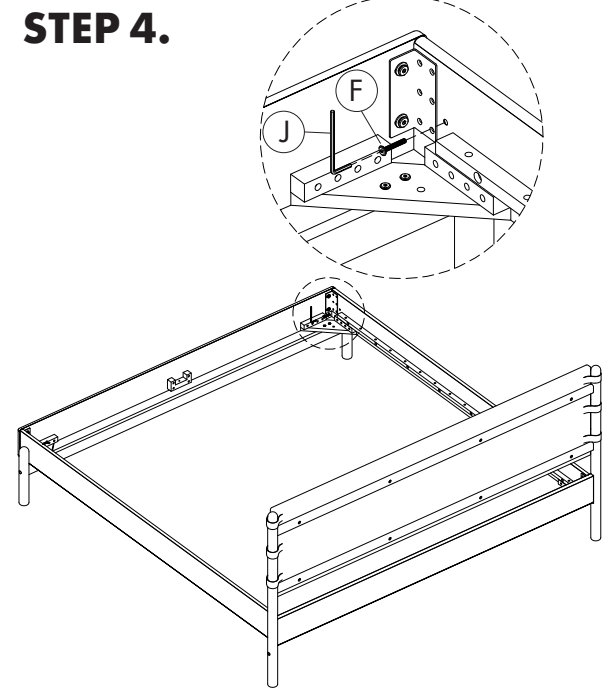
STEP 2.



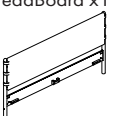
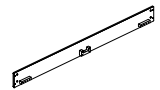



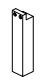
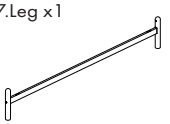

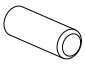
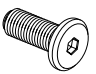

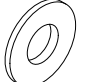
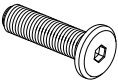
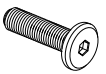
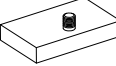
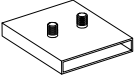

STEP 3.



STEP 4.



PARTS AND HARDWARE.

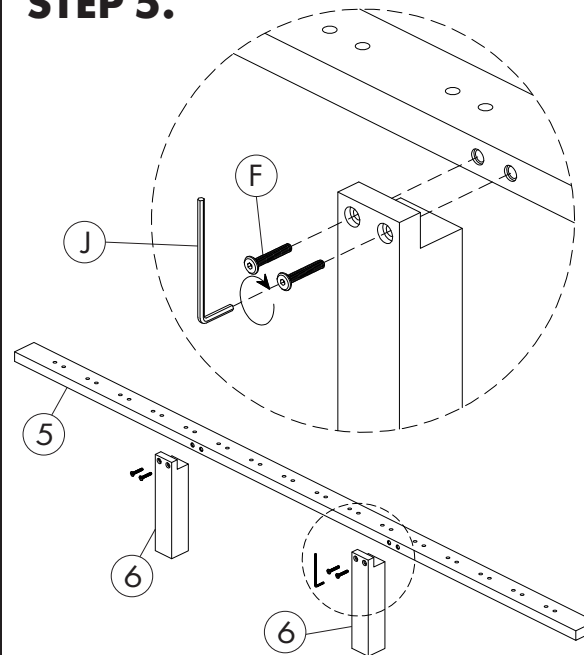
1.HeadBoard x1 	2.FootBoard x1 	3.SideBoard x2 
4.Corner Block x4 	5.Center Beam x1 	6.Center Leg x2 
7.Leg x1 	8.Slats x32 	A.Wooden dowel Ø10-30 x8 
B.F-Bolt M8-20 x8 	C.Spring Washer x8 	D.Flat Washer x8 
E.F-Bolt M8-35 x16 	F.F-Bolt M6x35 x12 	G.Plastic Caps x32 
H.Plastic Caps Middle x16 	J.Allen Key x2 	

NOTES.

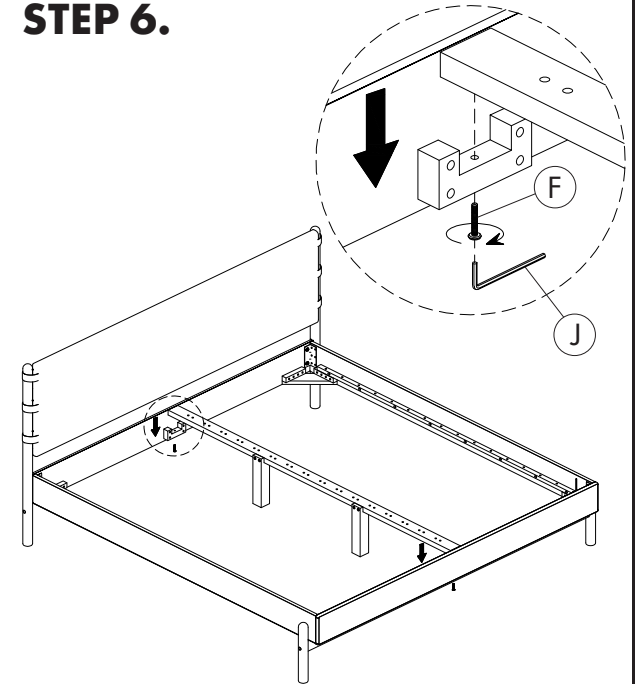
Thank you for purchasing this quality product! Be sure to check all packing material carefully for small part that may have come loose inside the carton during shipping.

CAUTION: The item is heavy, take care when lifting and use 2 people to maneuver safely.

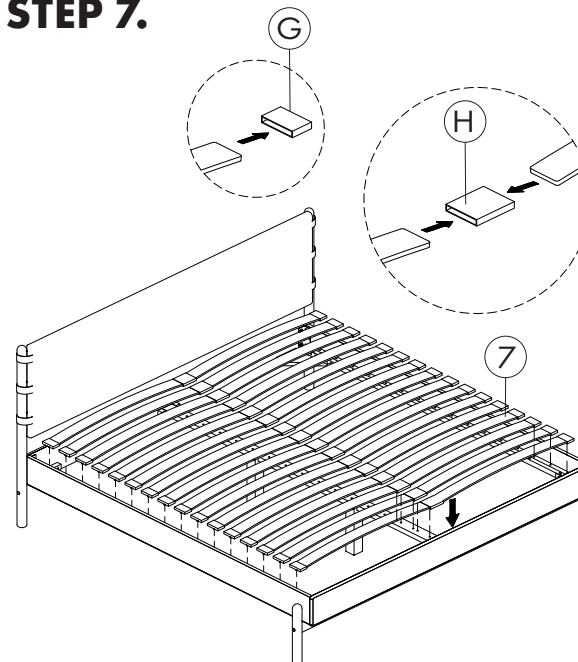
STEP 5.



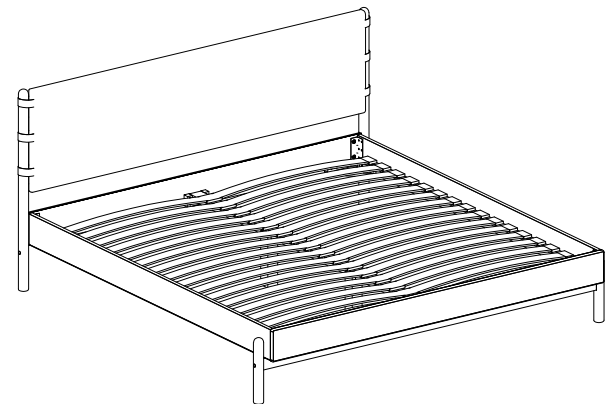
STEP 6.



STEP 7.



STEP 8.



Dear Customer,

Congratulations on your purchase of a piece of furniture made from solid American White Oak.

The individual wood slats in your piece of furniture are especially selected and sorted by hand by skilled craftsmen. They follow specific guidelines securing the quality demands and design preferences that lay out the form of this furniture range. Through this we have manufactured a unique piece of furniture with the heterogeneity that characterizes wild-oak, clearly showing the wood's natural irregularities of strong grains, knots and smaller cracks. Features that are often avoided in other furniture ranges. Twists in the wood, smaller cracks and repairs are parts of the uniqueness of the range, and therefore do not qualify for complaints. Wood is a living material, affected by temperature and moisture for a long period after you start using it. Thereby, table tops and top plates will expand and shrink according to the seasons, and cracks and spaces that vary in time are some of the joys of owning a natural product. If extension leaves are made from mdf, which is a stable material, these will never be able to fit the table by 100 %.

To make sure that you will enjoy many years of satisfaction with your piece of furniture, it is imperative with the right care and maintenance. Kindly follow the below guidelines, and we guarantee that your unit will stay beautiful in the years to come. It is our recommendation that you ask your furniture supplier for advice in any instance.

Daily maintenance:

1. Clean the surface with a clean, wrung out cloth. Never use detergents
2. Coloured stains like red wine must be dried off immediately
3. Smaller stains and marks can be polished off with sand paper no. 220 or 180
4. Avoid extreme humidity and heat. Do not place the item close to heat sources
5. Legs for coffee and dining tables must be fastened occasionally
6. Extension leaves in lacquered mdf are not to be treated. Please clean with a wrung out cloth

Leather care guide

Leather is a natural product, which means every hide is different. Markings, scars and differences in the texture and colour will vary from piece to piece. Your leather upholstery furniture will develop more individual character with age, more so on most used areas like seat cushions. This means your upholstery furniture will become even more special and unique over time.

To maintain the quality of your leather furniture, please follow the cleaning procedures outlined below:

Vacuum or dust frequently with a clean, dry cloth. If leather is soiled, it can be wiped with a soft, damp cloth using a mild, neutral-ph and non-detergent liquid soap with lukewarm water. Do not spot clean leather; clean the entire surface.

To keep the leather soft and supple, and to avoid cracking, it is necessary to apply a good leather conditioner every 6 to 12 months. This will help your leather maintain its own natural oils, keeping it soft and supple for many years.

Let the leather air dry; never use a hair dryer or any other heat source to dry leather.

Protect against excessive sunlight, dryness and heat.

- Sunlight will fade and dry out leather.
- Dryness will cause leather to crack.
- Heat will dry out the leather and cause further damage.

DO NOT USE CHEMICALS, SADDLE SOAP, CLEANING SOLVENTS, FURNITURE POLISH, OILS, VARNISH, ABRASIVE CLEANERS, SOAP OR AMMONIA WATER.

These are recommended methods of cleaning. The manufacturer is not responsible for damage occurred while cleaning. Always try the cleaning method in a hidden area first to see the results.