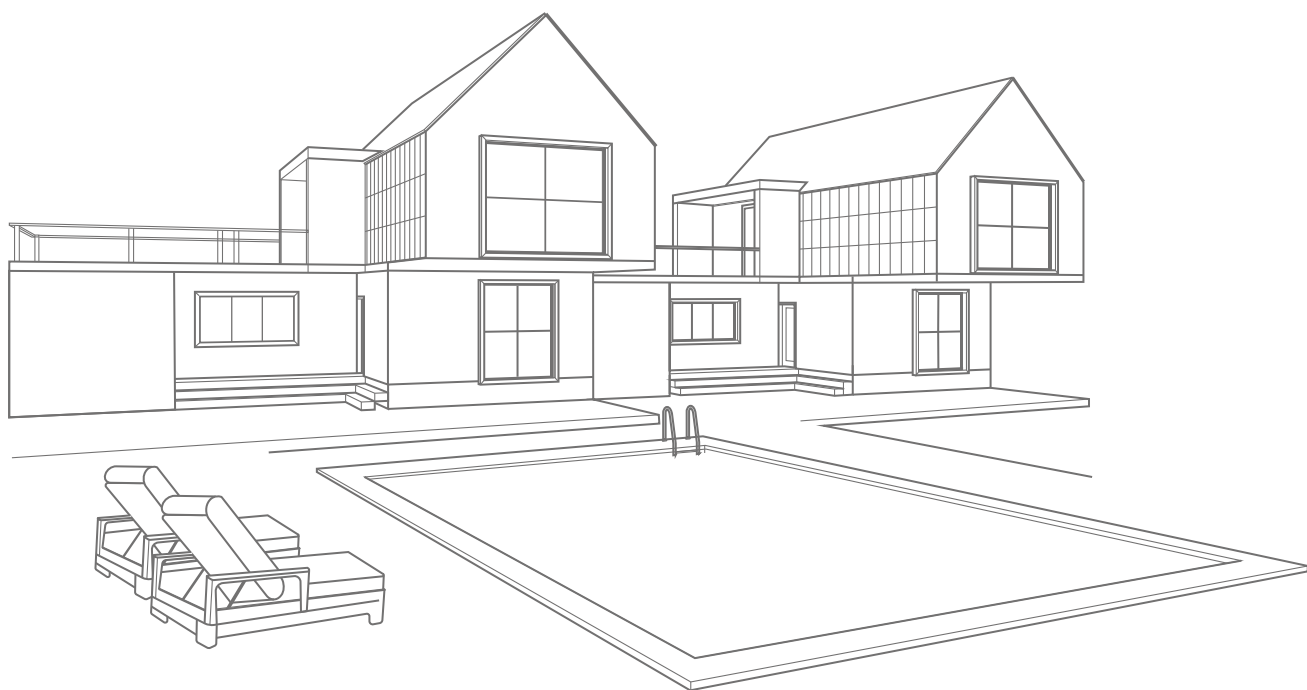


Coffee Bar Cabinet

Product ID. 7ATHB

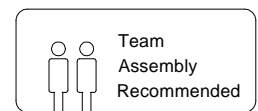
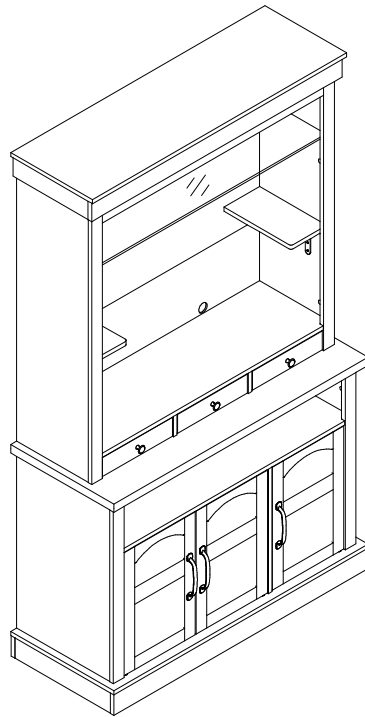


Scan for Support
support@garvee.com



Distributed by
GARVEE.com

SPU: PH0_34EQ



Trouble shooting:

Missing / Wrong / Broken parts and installation issues



Send email with your question, pic and order **NO.** to support@garvee.com




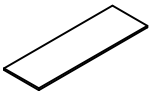


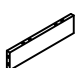

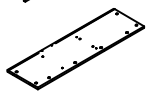
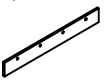



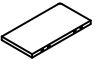




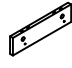
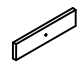



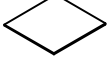

Respond within 24 hours




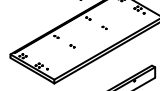






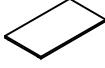
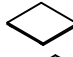






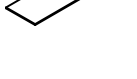


Issue resolved


Note: Do not tighten all screws in advance; tighten the screws after operating all steps.



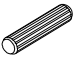
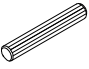



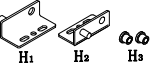
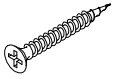




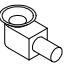
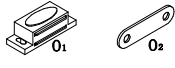


Componets 


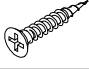
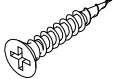



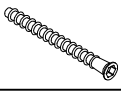


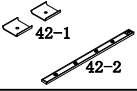
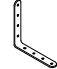
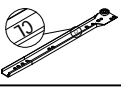
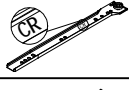
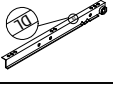
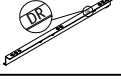
	<u>1066*342mm</u>	1 x 1
	<u>316*75mm</u>	2 x 1
	<u>1050*75mm</u>	3 x 1
	<u>316*75mm</u>	4 x 1
	<u>1045*45mm</u>	5 x 1
	<u>1045*300mm</u>	6 x 1
	<u>927*118mm</u>	7 x 1
	<u>1045*45mm</u>	8 x 1
	<u>1045*300mm</u>	9 x 1
	<u>986*178mm</u>	10 x 1
	<u>281*150mm</u>	11 x 1
	<u>281*150mm</u>	12 x 1
	<u>986*297mm</u>	13 x 1
	<u>283*75mm</u>	14 x 1
	<u>296*75mm</u>	15 x 2
	<u>283*75mm</u>	16 x 1
	<u>293*69mm</u>	17 x 3
	<u>250*50mm</u>	18 x 3
	<u>250*50mm</u>	19 x 3
	<u>244*50mm</u>	20 x 3
	<u>254*244mm</u>	21 x 3
	<u>243*38mm</u>	22 x 9

	<u>996*301mm</u>	23 x 1
	<u>996*646mm</u>	24 x 1
	<u>996*660mm</u>	25 x 1
	<u>1066*432mm</u>	26 x 1
	<u>648*45mm</u>	27 x 1
	<u>648*390mm</u>	28 x 1
	<u>453*386mm</u>	29 x 1
	<u>648*45mm</u>	30 x 1
	<u>648*390mm</u>	31 x 1
	<u>986*387mm</u>	32 x 1
	<u>635*354mm</u>	33 x 1
	<u>354*333mm</u>	34 x 1
	<u>446*299mm</u>	35 x 1
	<u>446*299mm</u>	36 x 1
	<u>446*299mm</u>	37 x 1
	<u>1066*432mm</u>	38 x 1
	<u>1064*75mm</u>	39 x 2
	<u>400*75mm</u>	40 x 3
	<u>982*280mm</u>	41 x 1

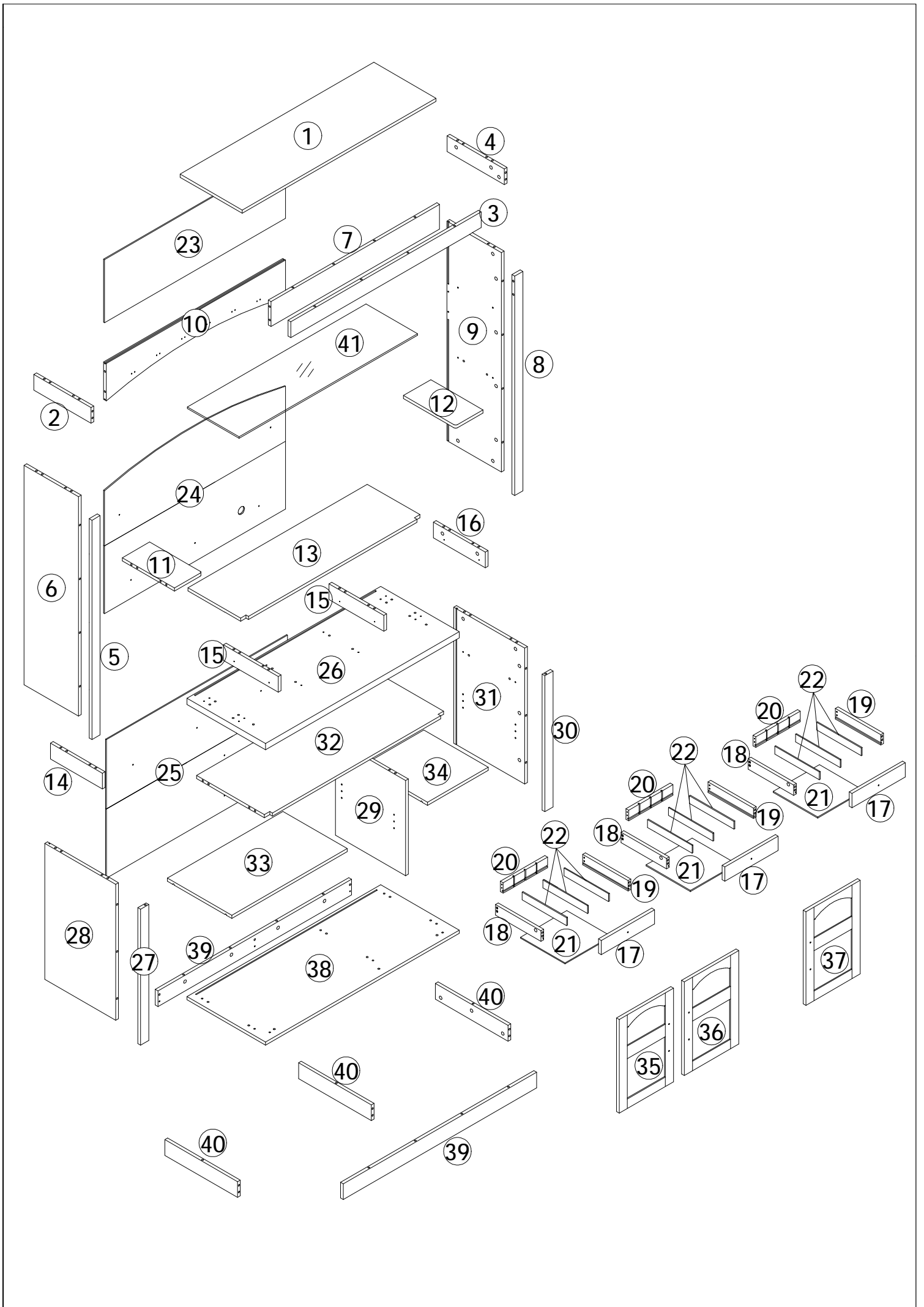
Note: Do not tighten all screws in advance; tighten the screws after operating all steps.

Screws & Tools 

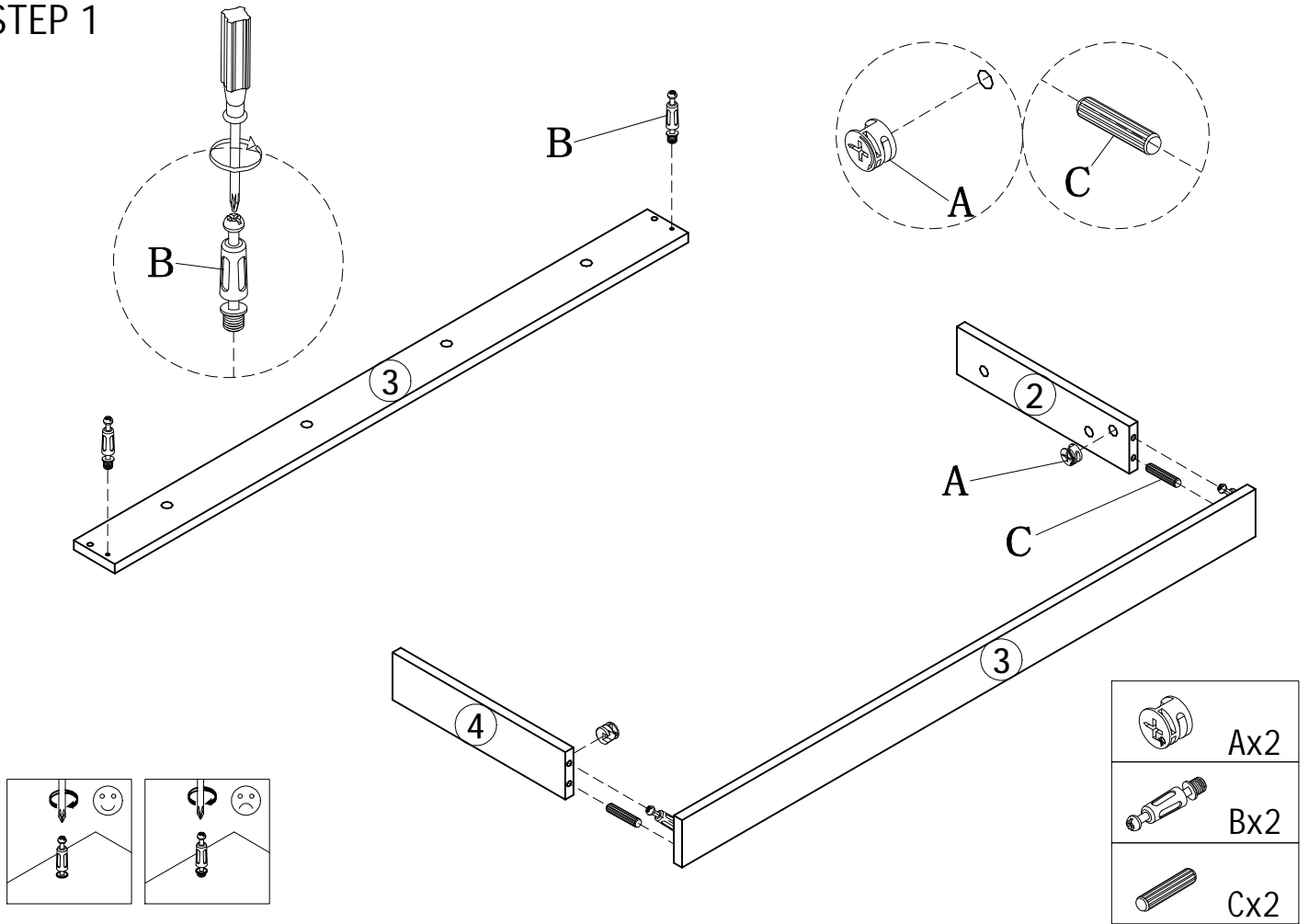
A		Ø15x11	x 81
B		Ø8x35	x 81
C		Ø8x30	x 68
D		Ø8x40	x 4
E		50x24x12	x 2
F		4mm	x 1
G		Ø5x16	x 8
H		40x18x13	x 3
I		Ø4x40	x 14
J		M4x10	x 3
K		M4x20	x 6
L		4mm	x 9
M		131x20x21	x 3
N			x 4
O			x 1
P			x 1
Q		Ø3.5x16	x 10

R		Ø3x14	x 6
S		Ø3.5x14	x 70
T		Ø4x16	x 16
U		Ø24xØ12x19H	x 3
V		87x28	x 6
W		Ø7x48	x 14
X		Ø7x58	x 4
Y		Ø7.8x38	x 2
Z			x 22
42		600mm	x 1
43		125x125x20	x 4
CL		10"	x 3
CR		10"	x 3
DL		10"	x 3
DR		10"	x 3

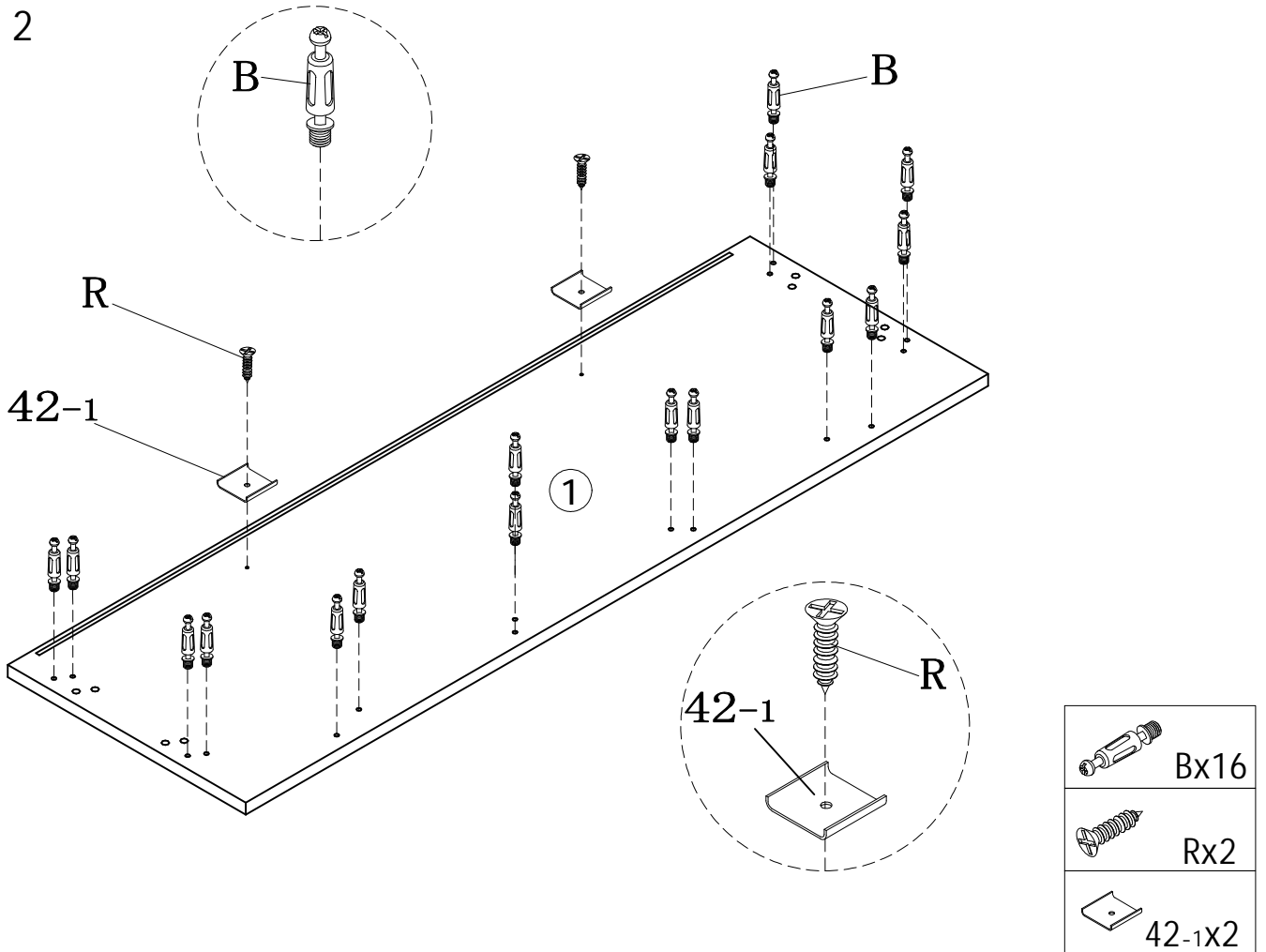
Check all components & screws before assembly.
Do not install in case part is missing, contact us to get.
Send email with your question to support@garvee.com.
We will resend within 24 hours.



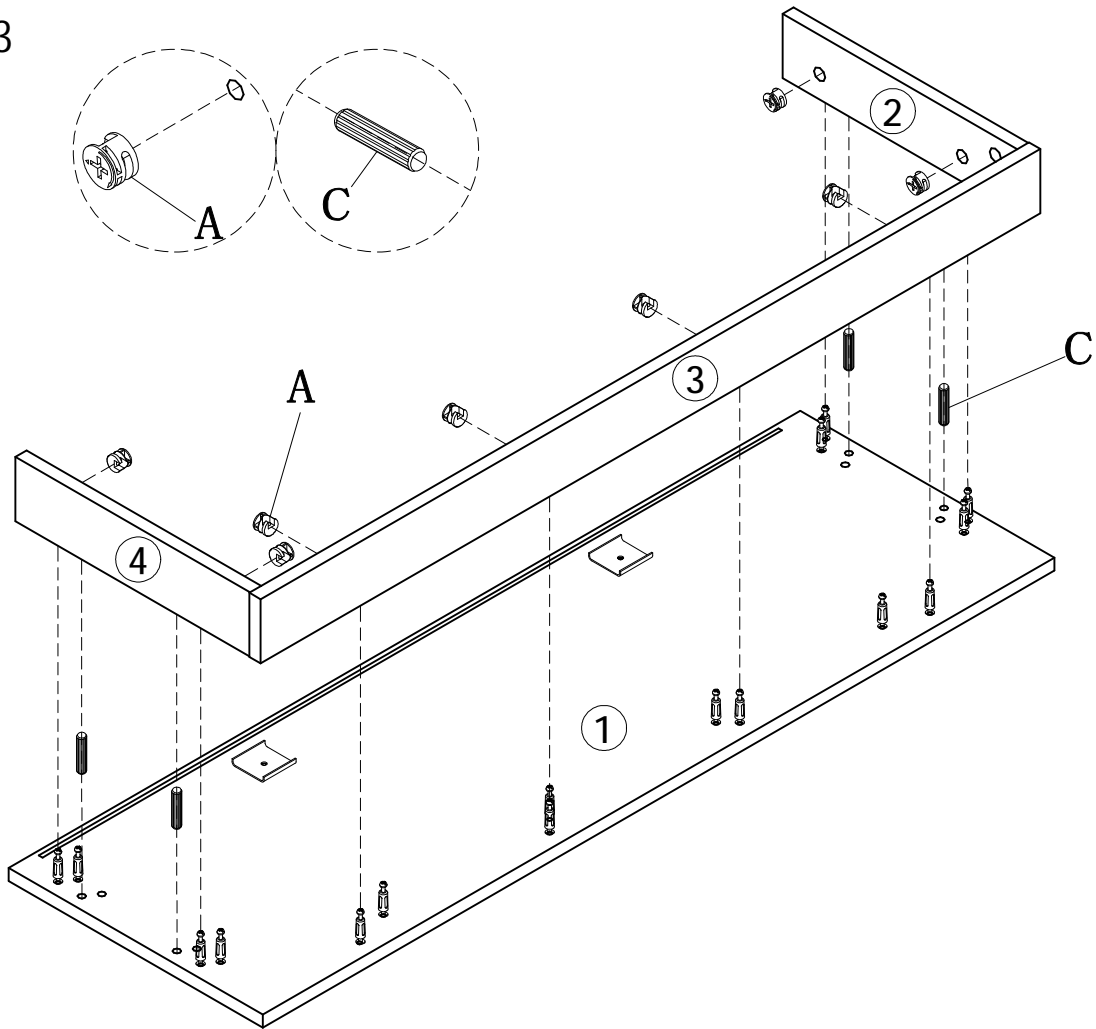
STEP 1



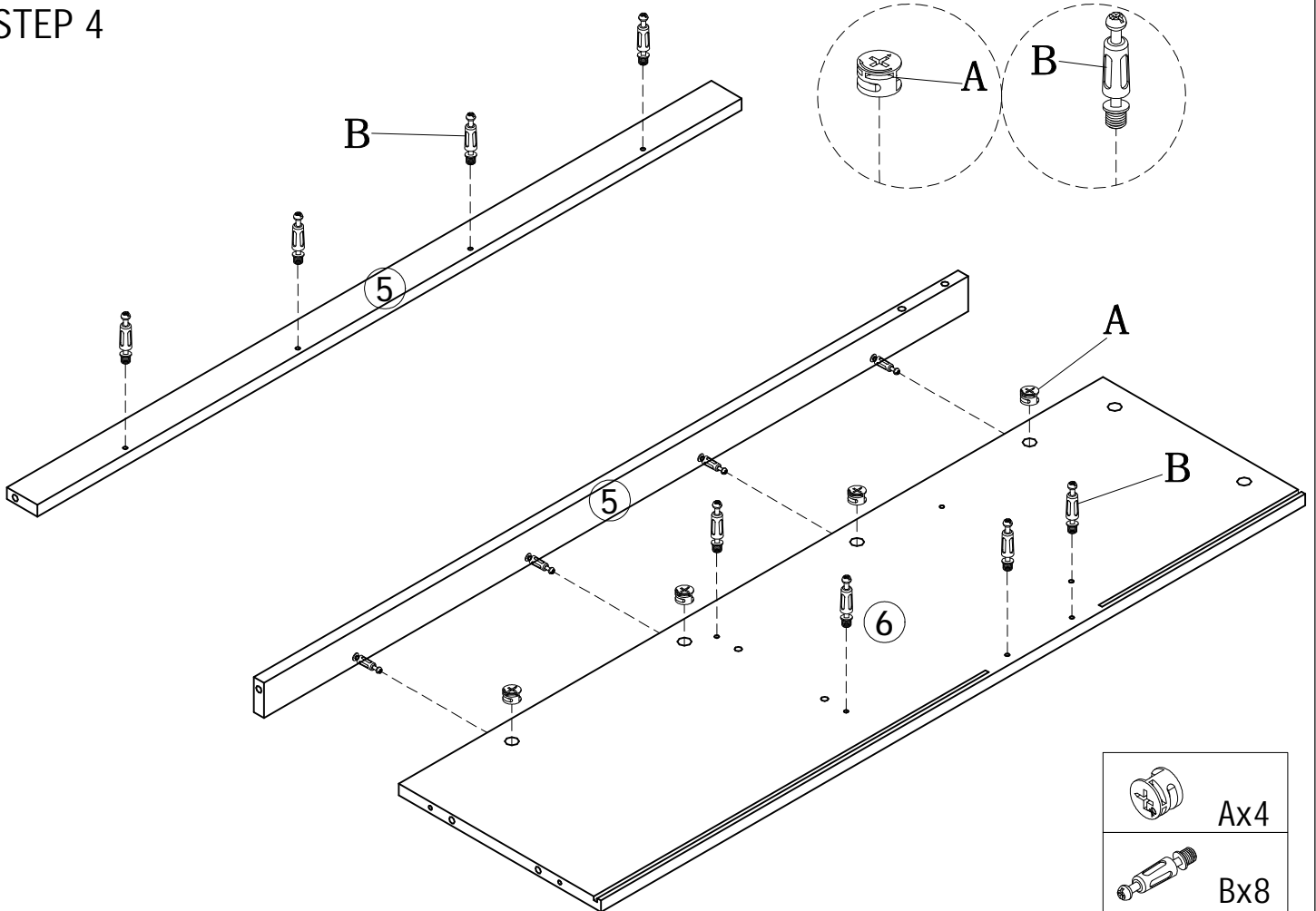
STEP 2



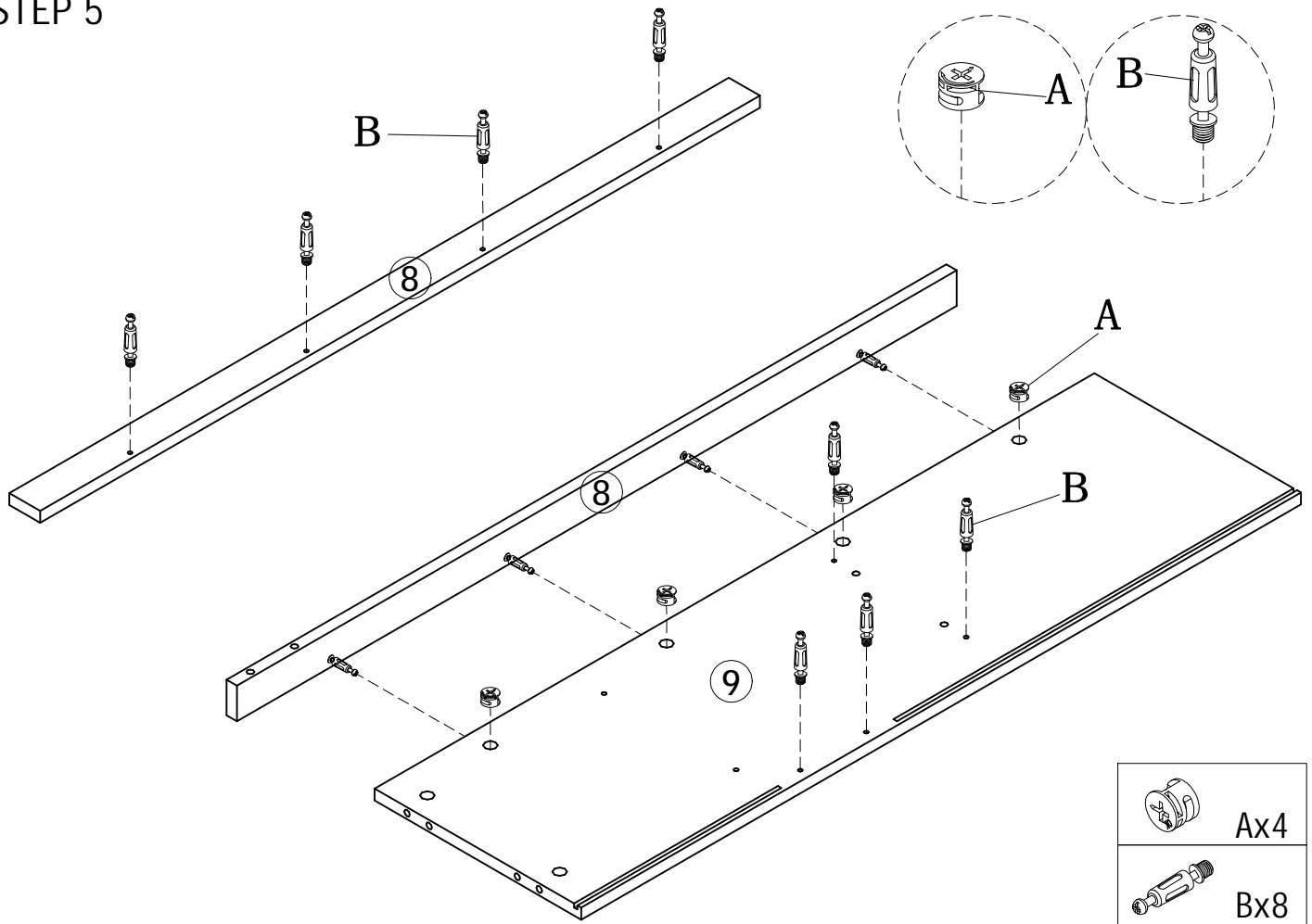
STEP 3



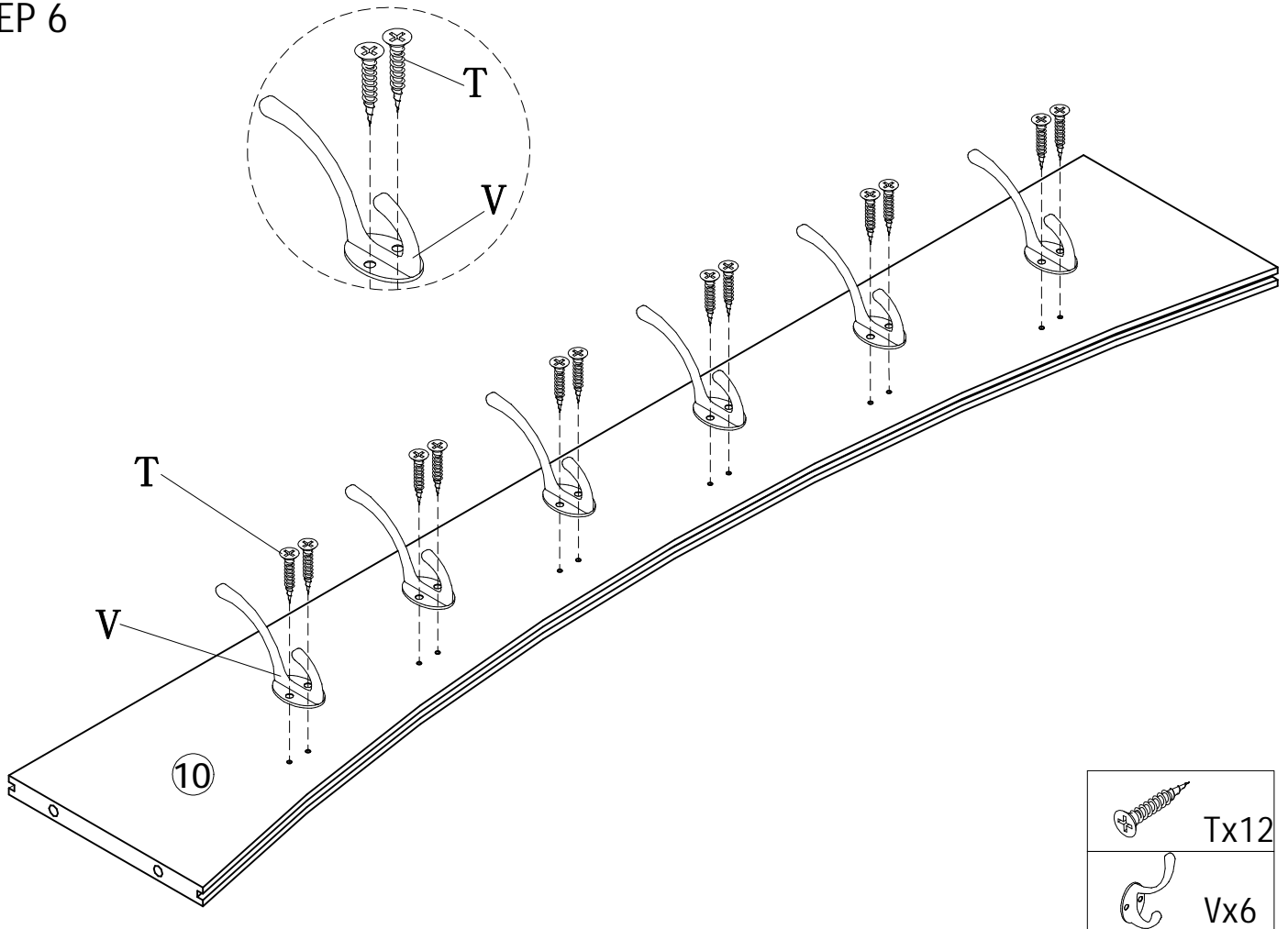
STEP 4



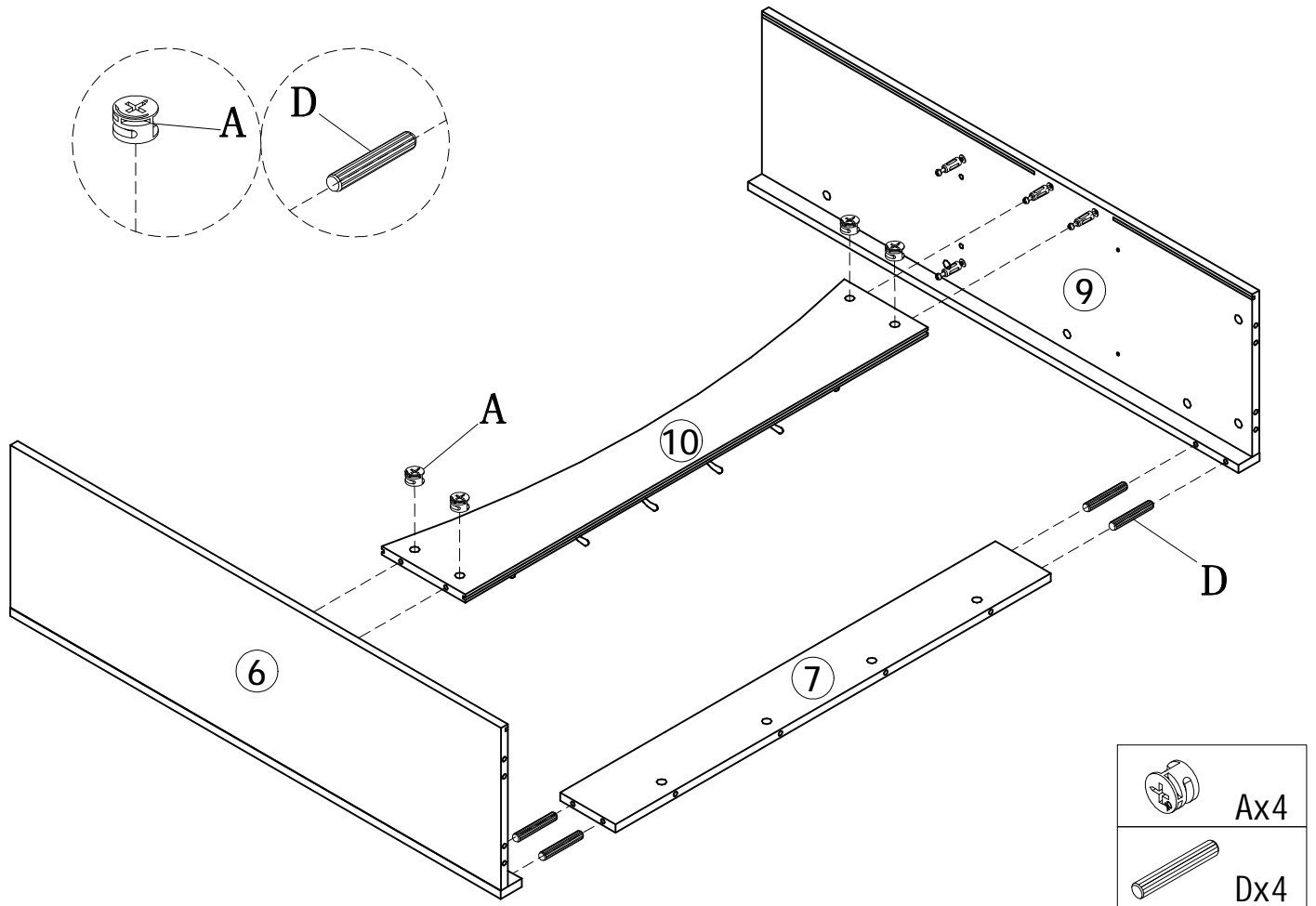
STEP 5



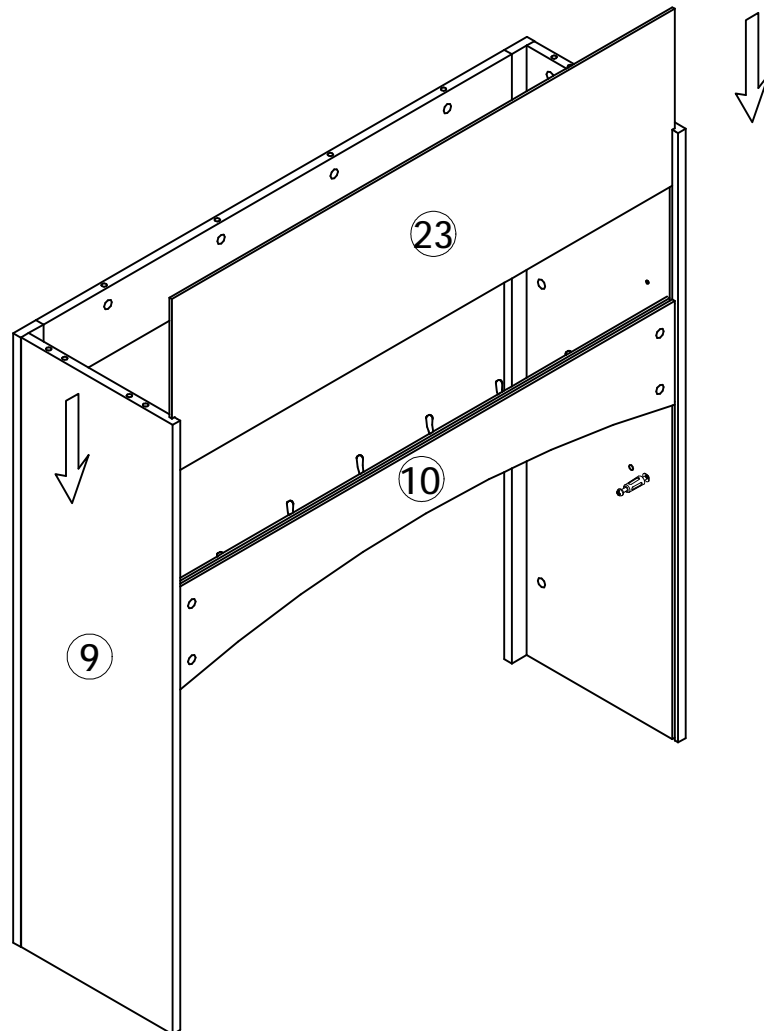
STEP 6



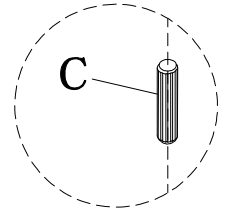
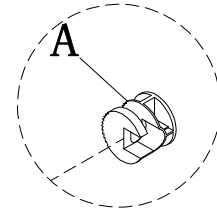
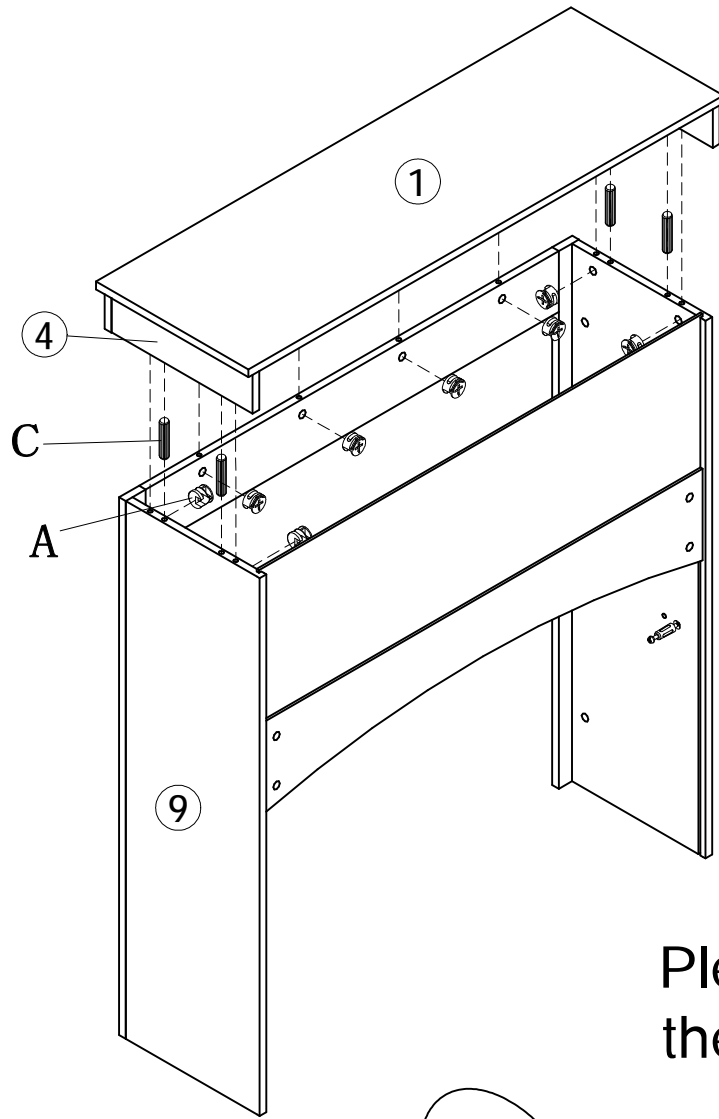
STEP 7



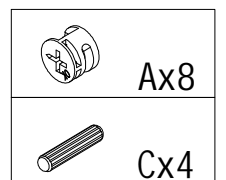
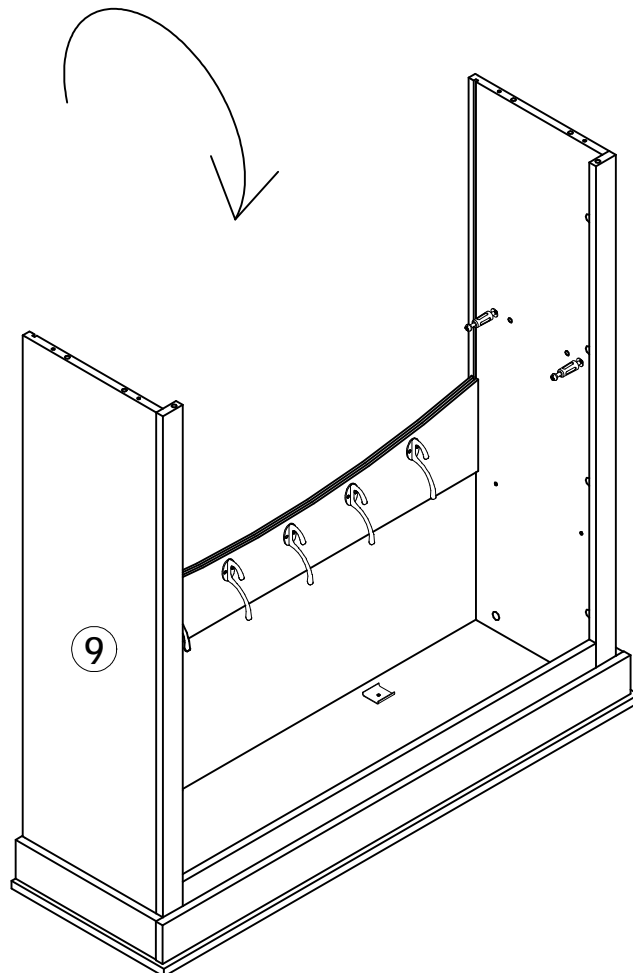
STEP 8



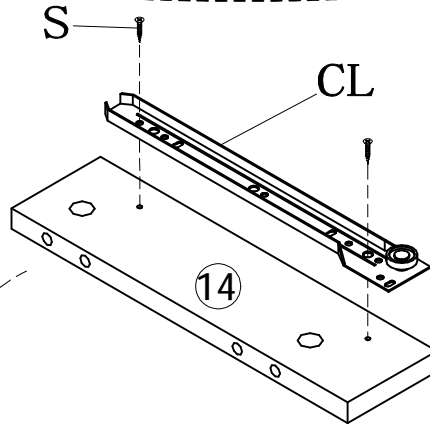
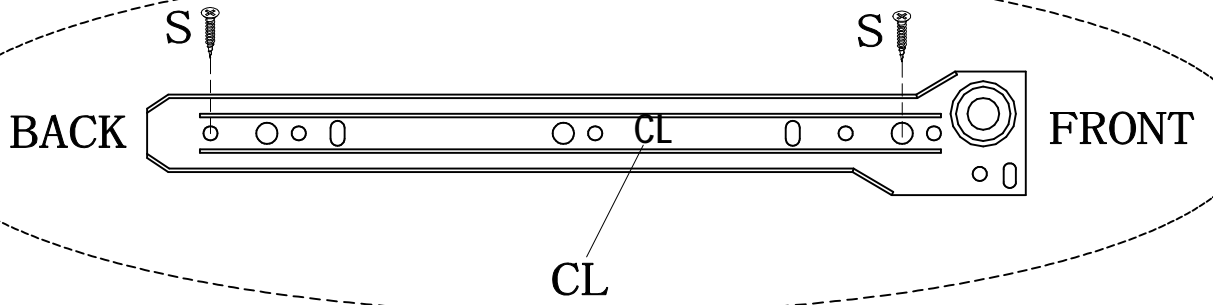
STEP 9



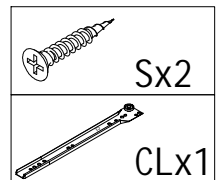
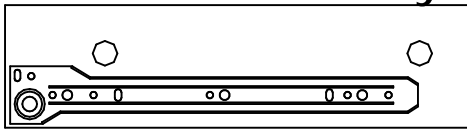
Please be careful to flip the product over



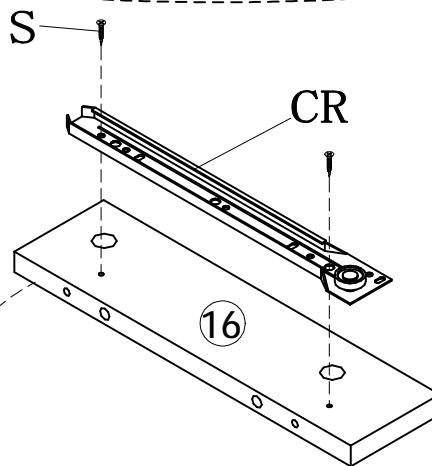
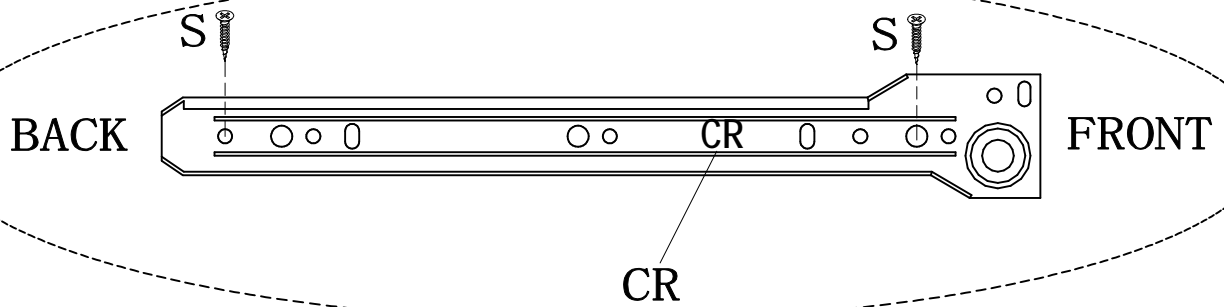
STEP 10



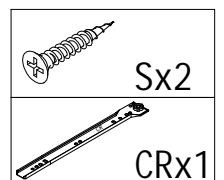
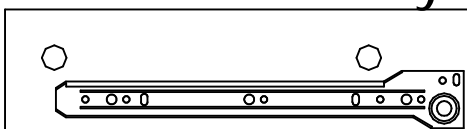
After assembly



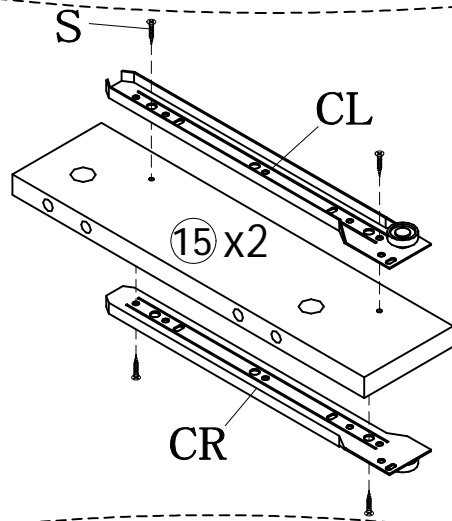
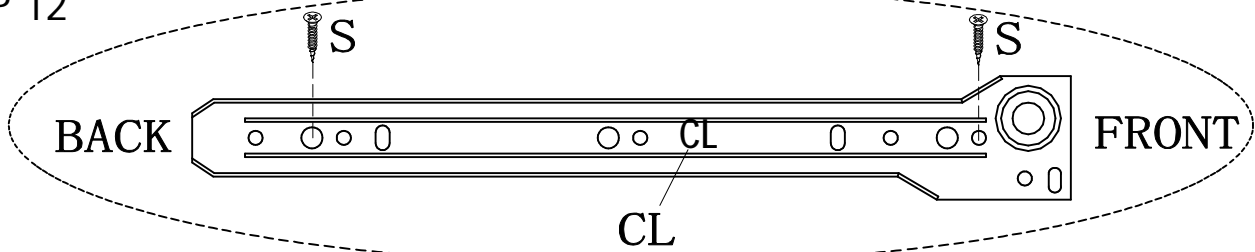
STEP 11



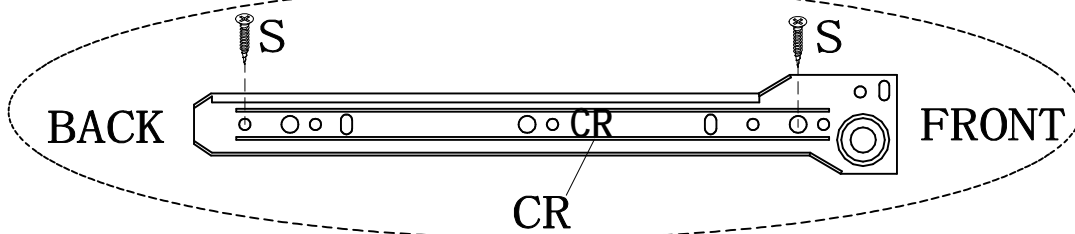
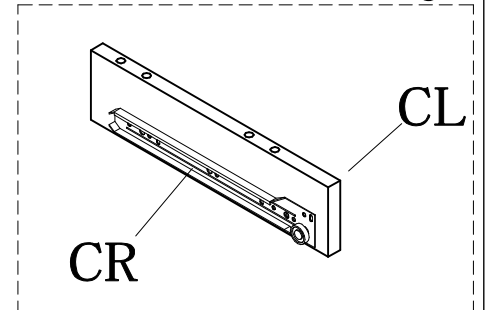
After assembly



STEP 12

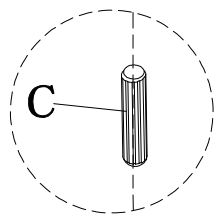
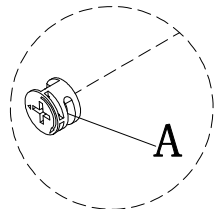
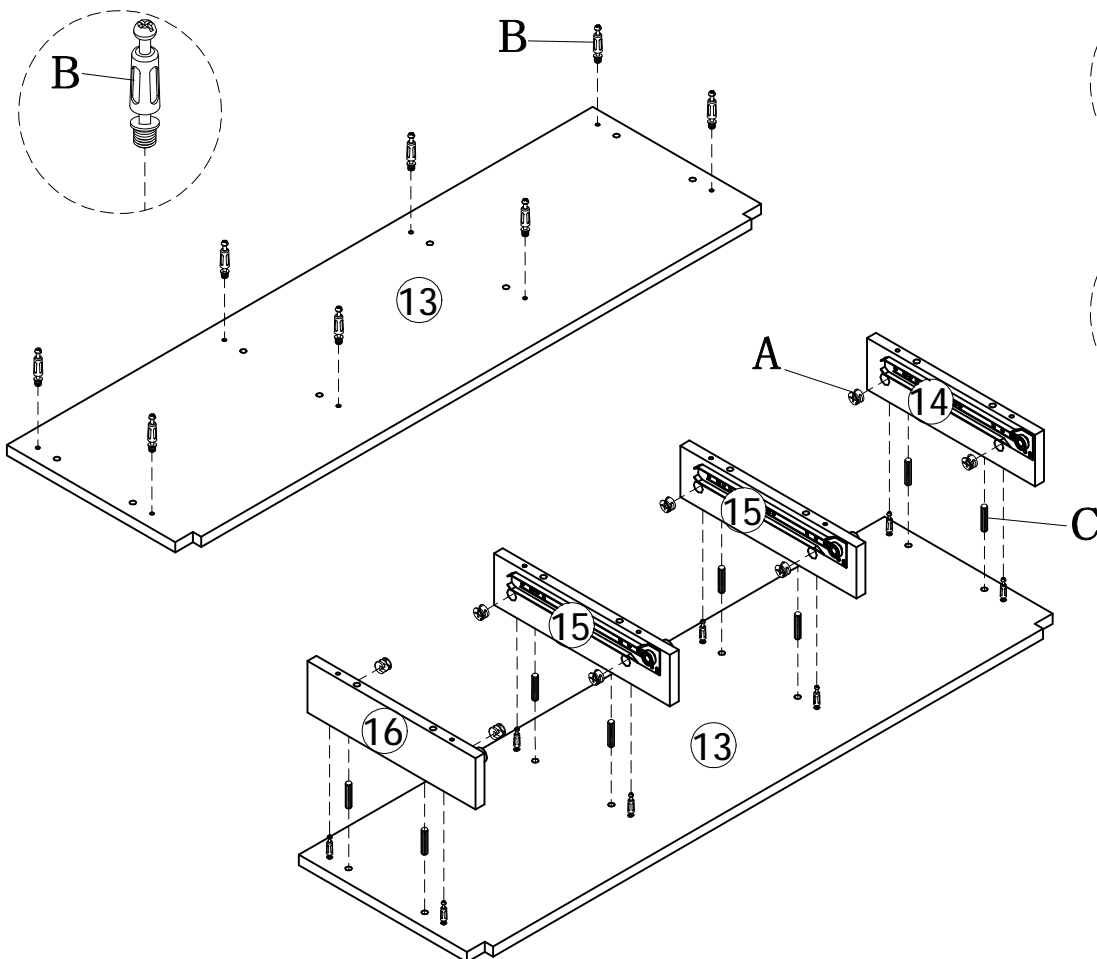


After assembly



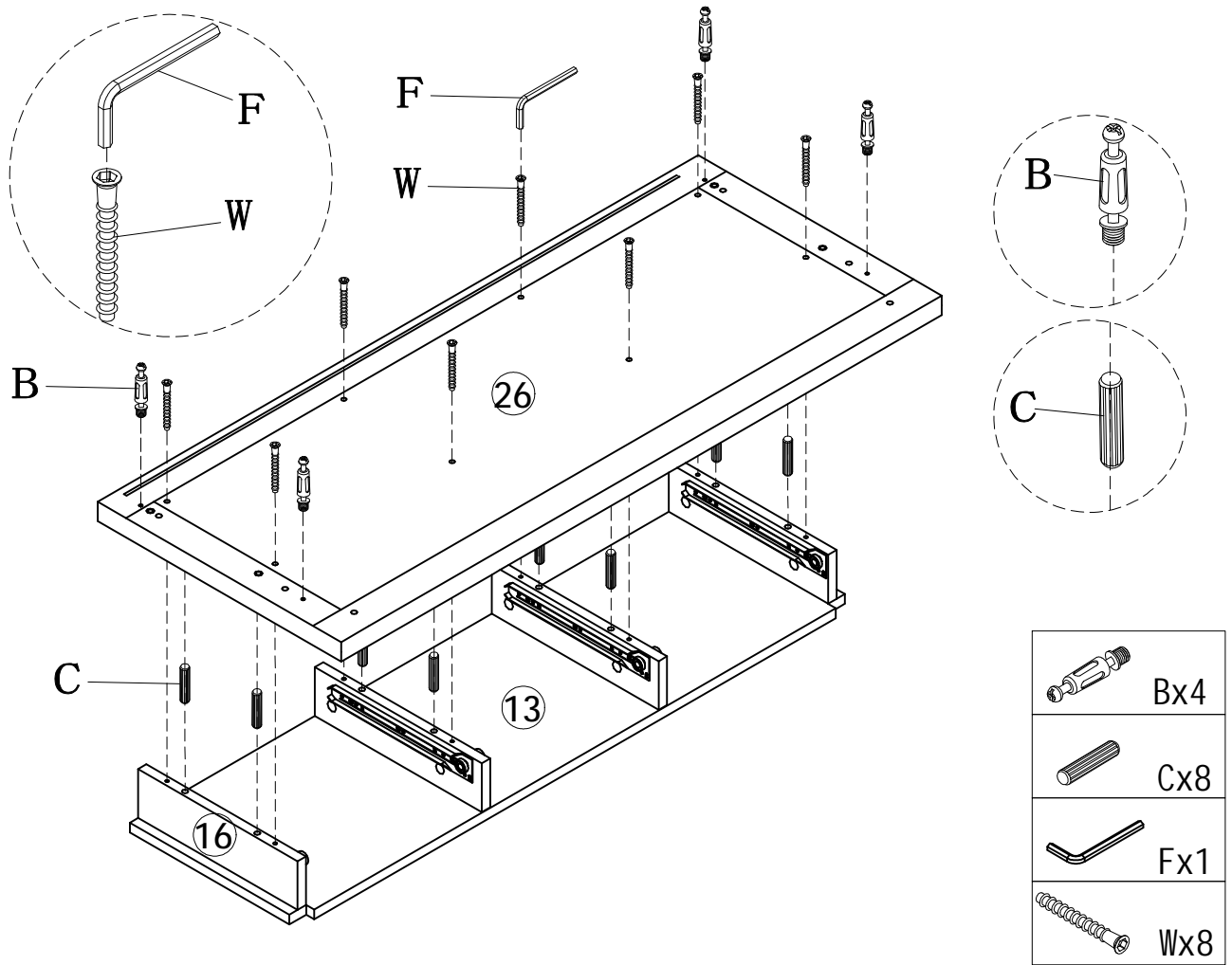
	Sx8
	CLx2
	CRx2

STEP 13

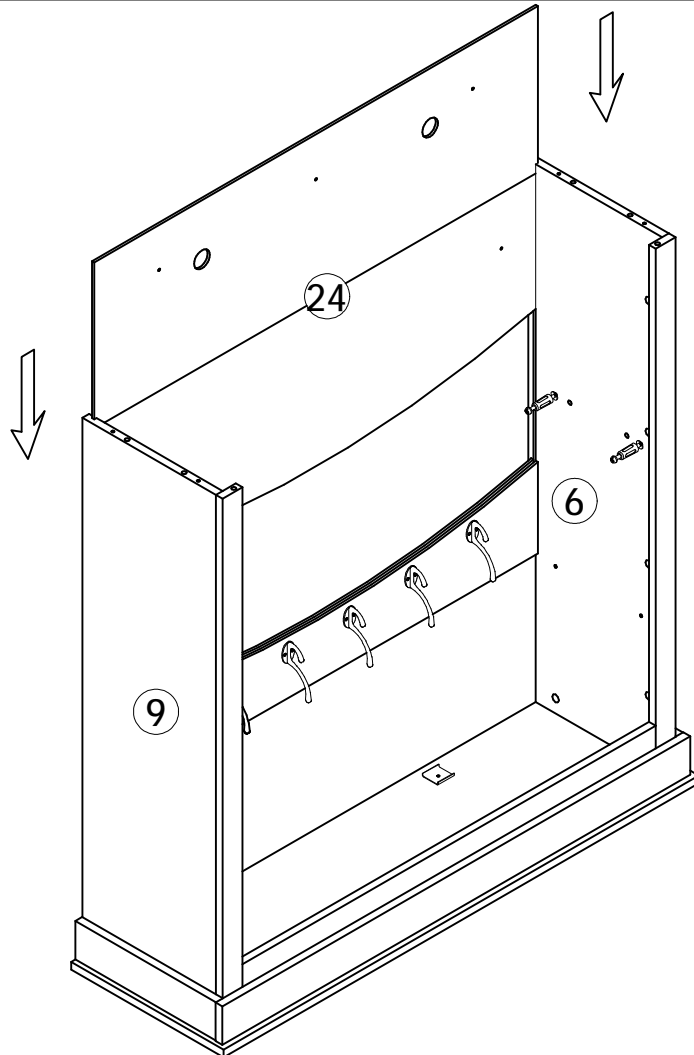


	Ax8
	Bx8
	Cx8

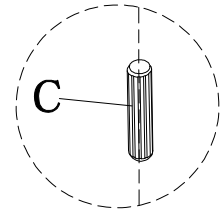
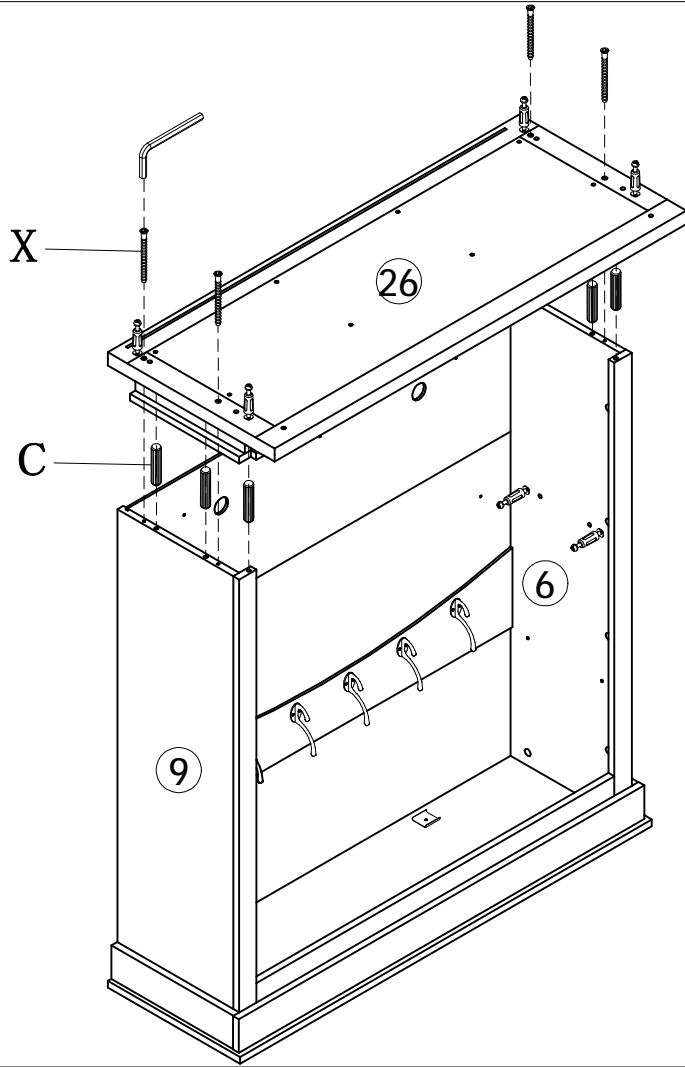
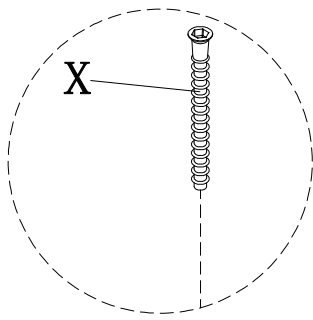
STEP 14





STEP 15

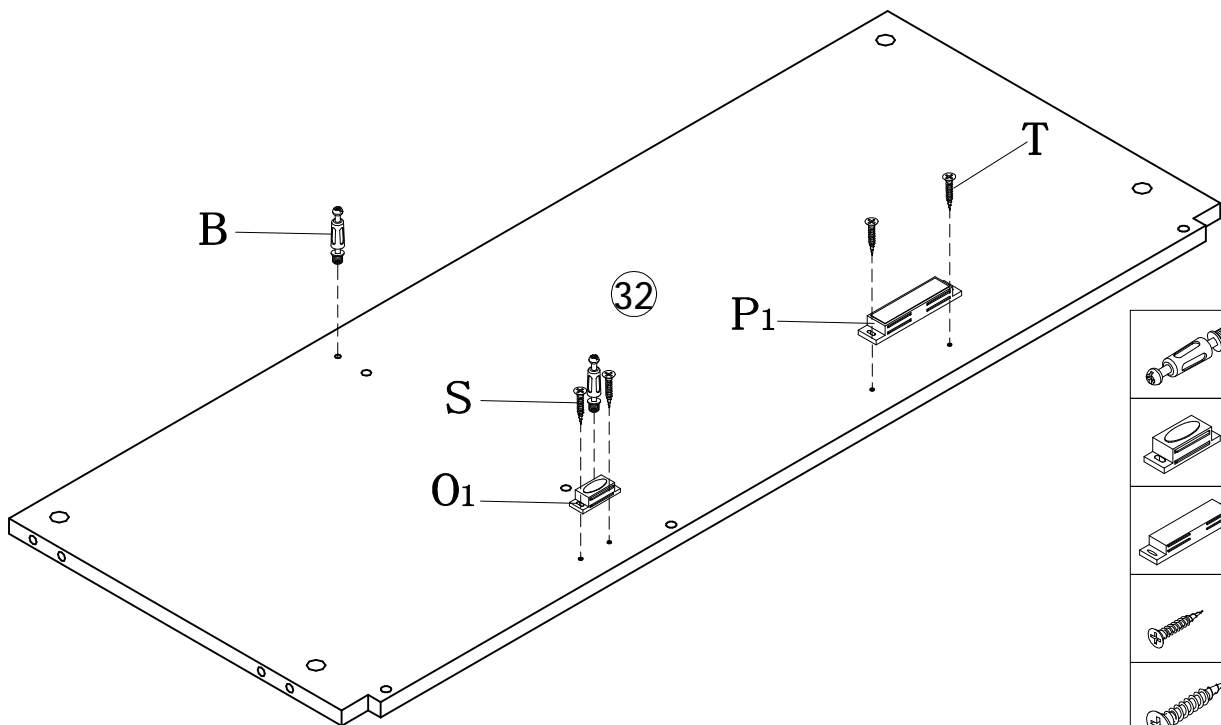
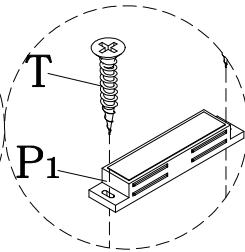
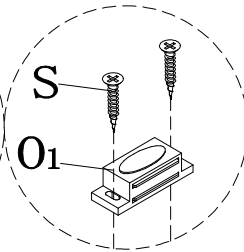
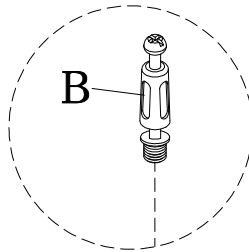



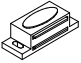
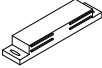


STEP 16



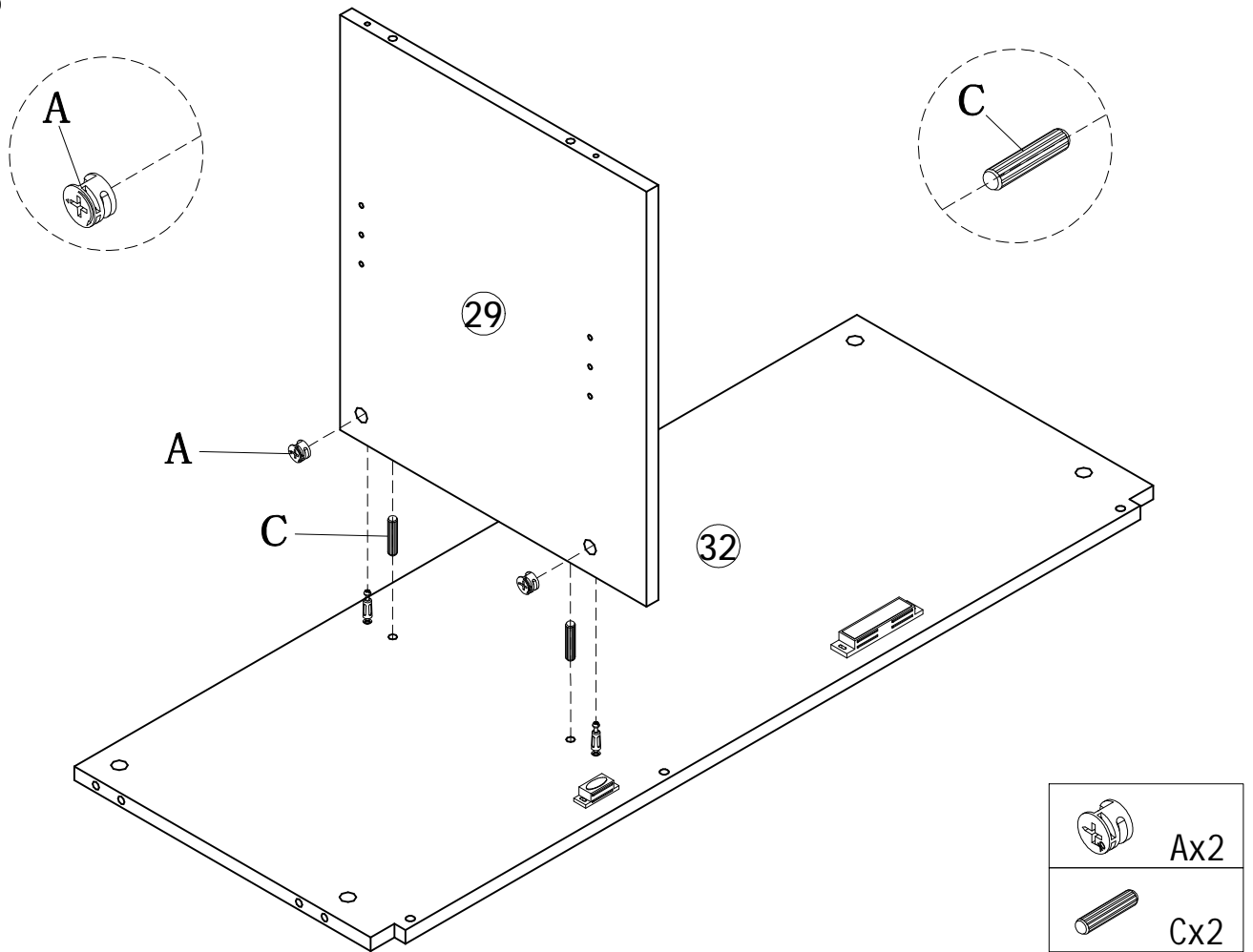
	Cx6
	Xx4

STEP 17

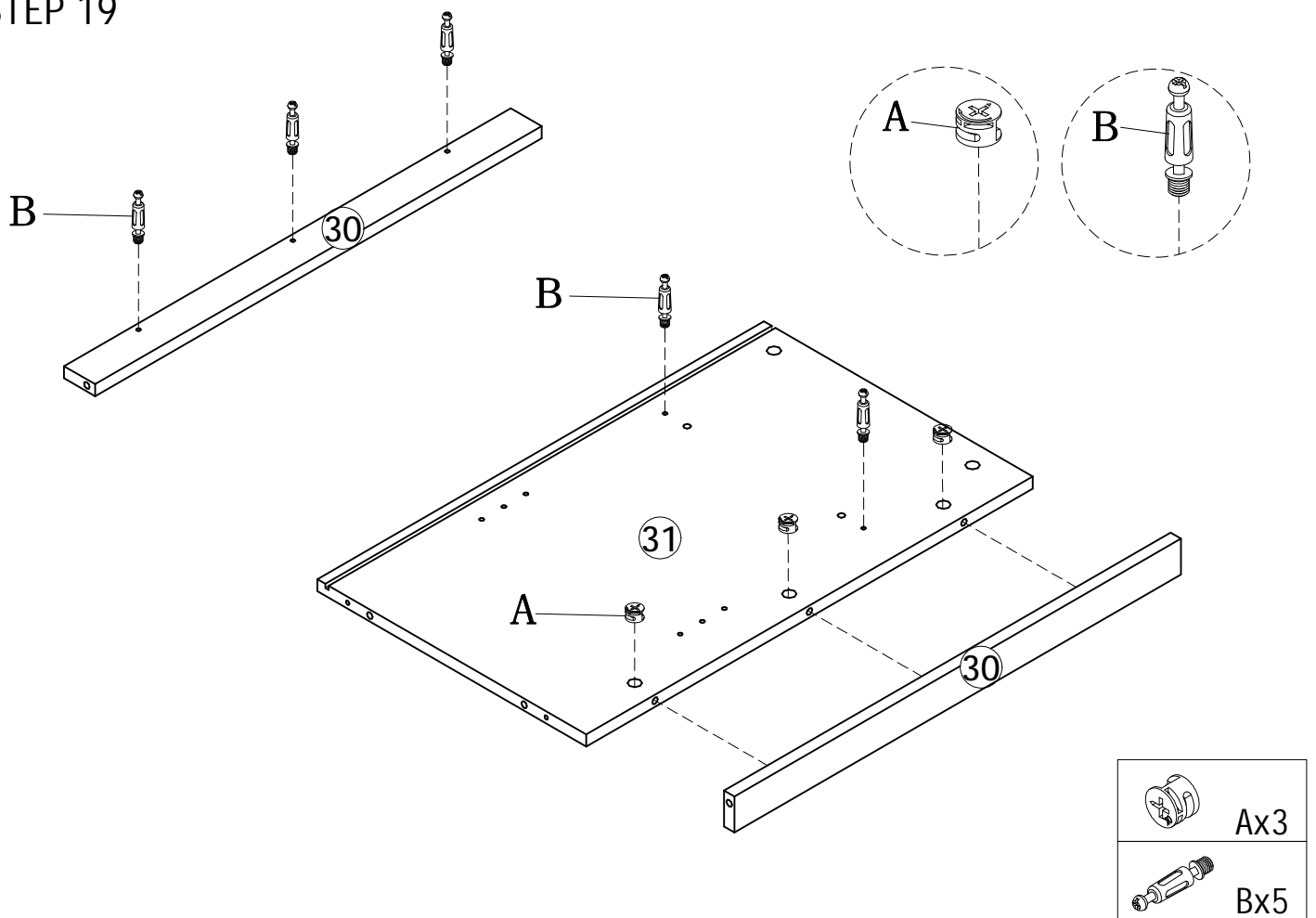


	Bx2
	O1x1
	P1x1
	Sx2
	Tx2

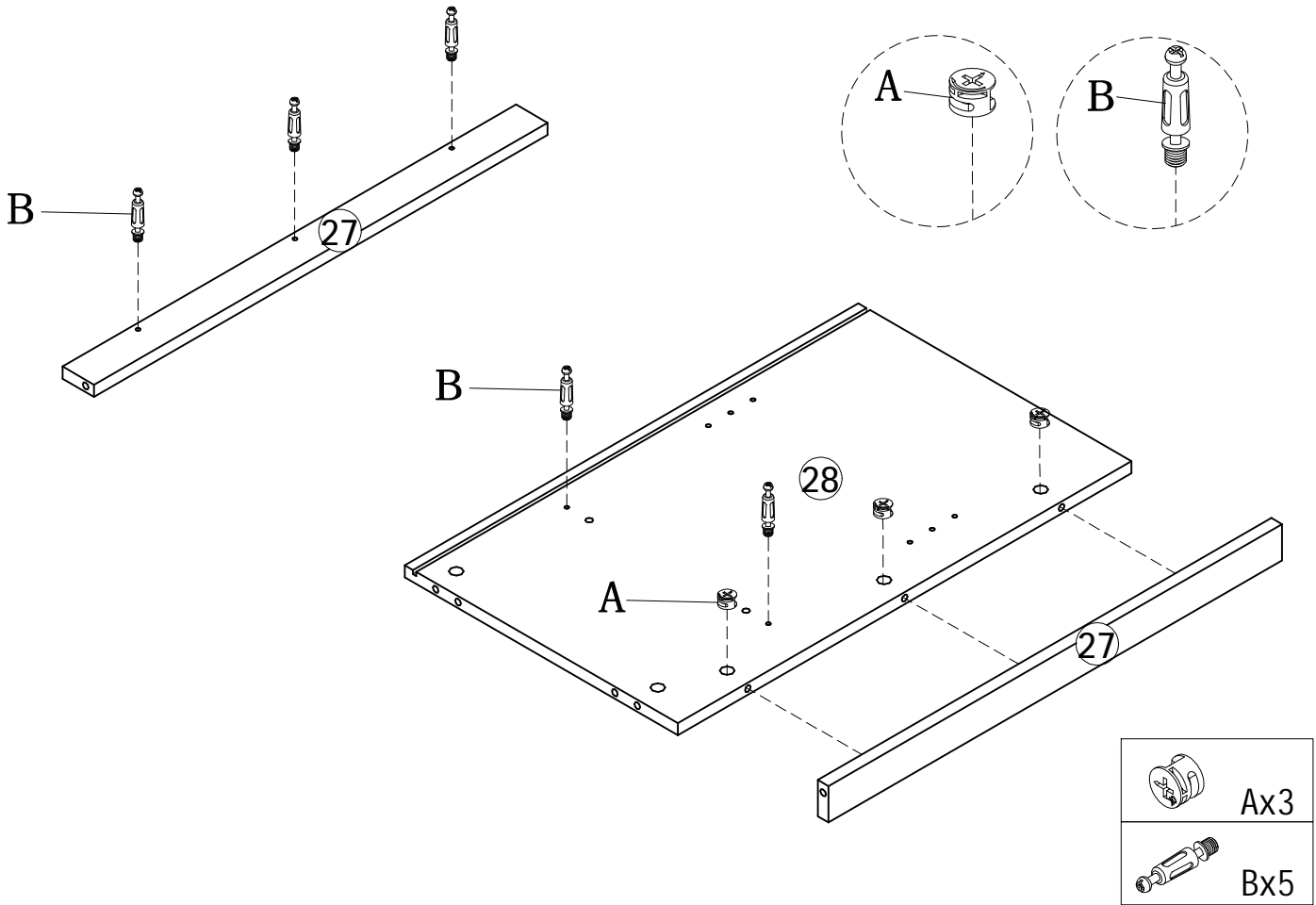
STEP 18



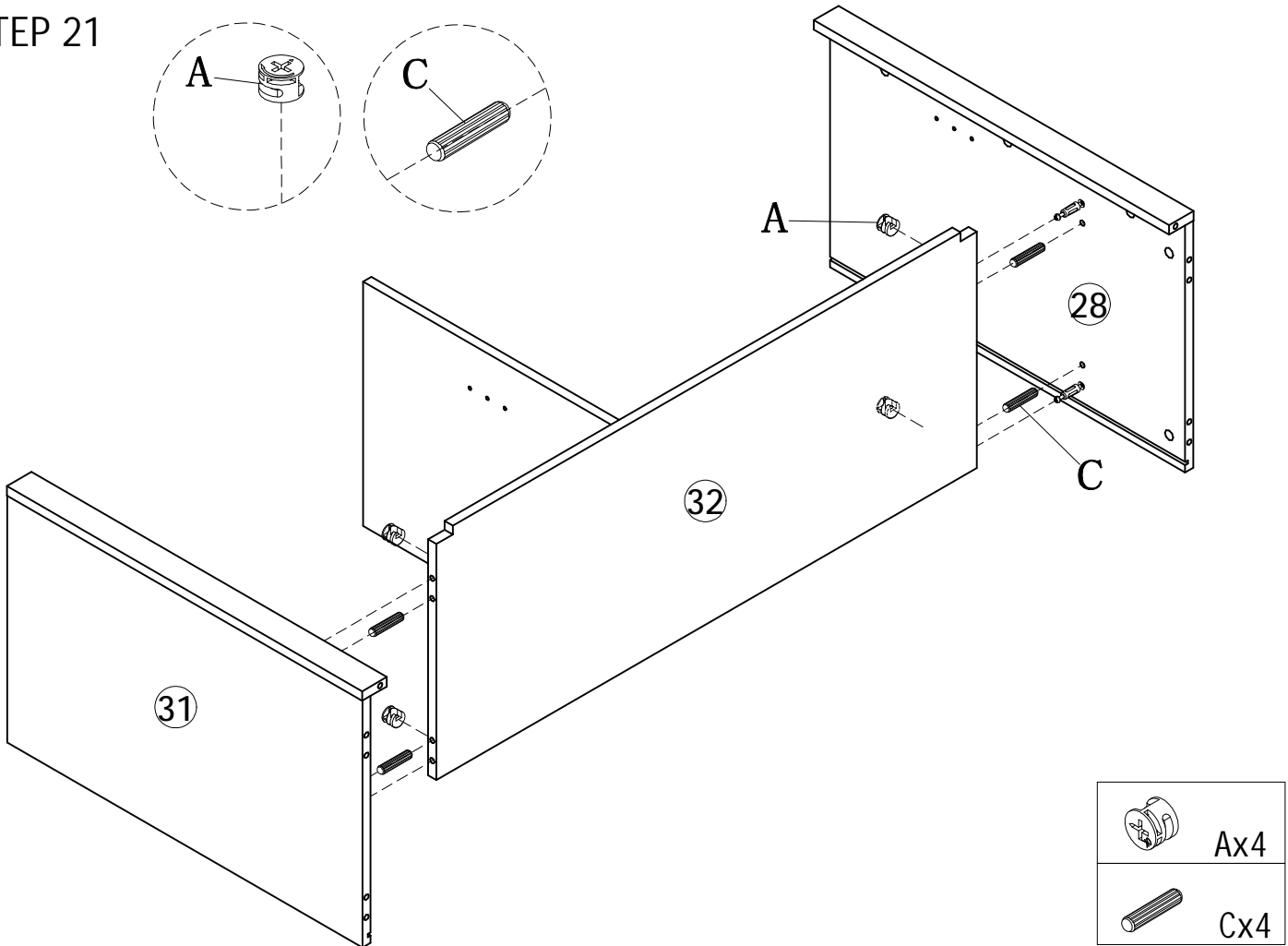
STEP 19



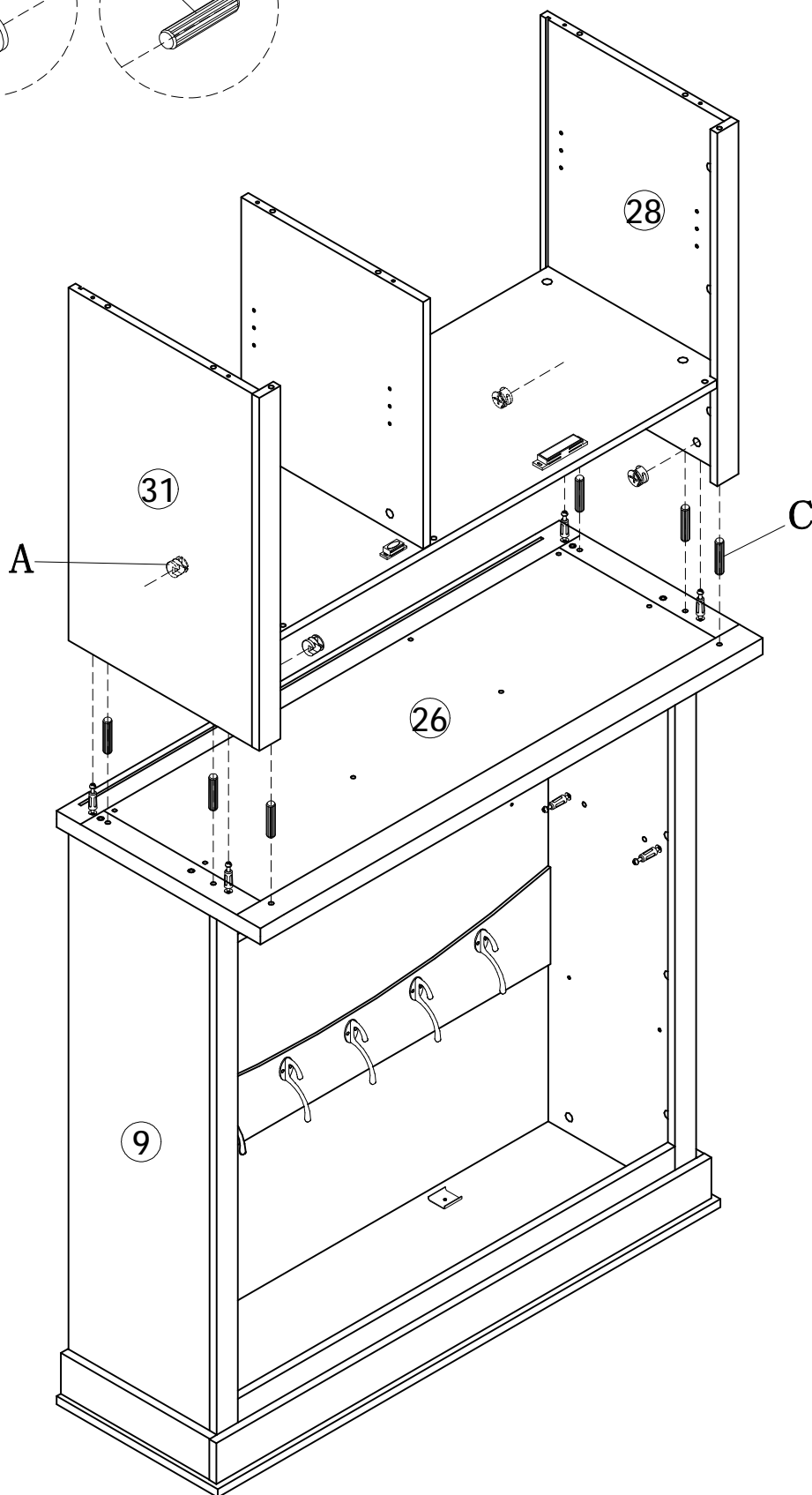
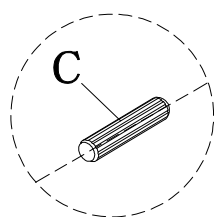
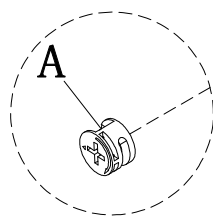
STEP 20


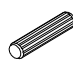


STEP 21

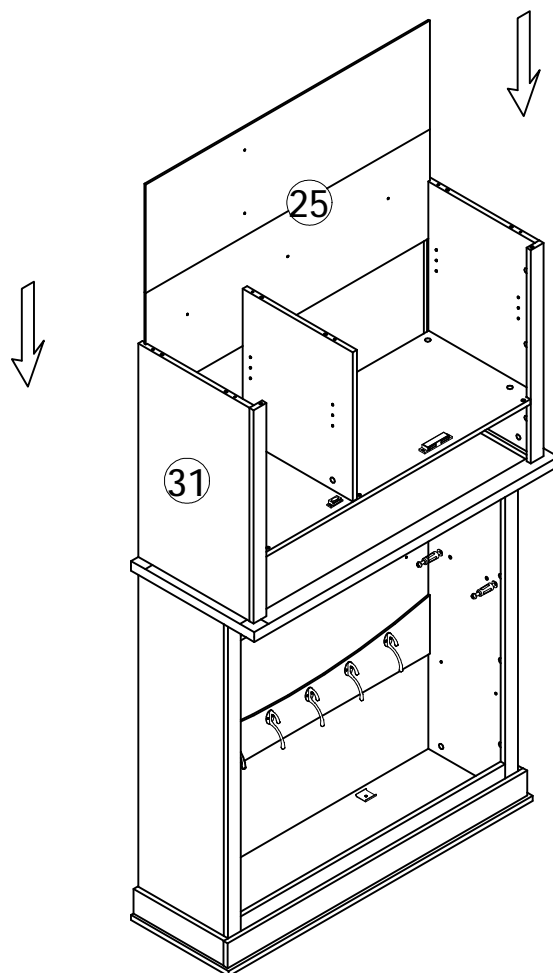


STEP 22

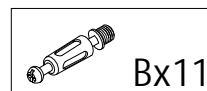
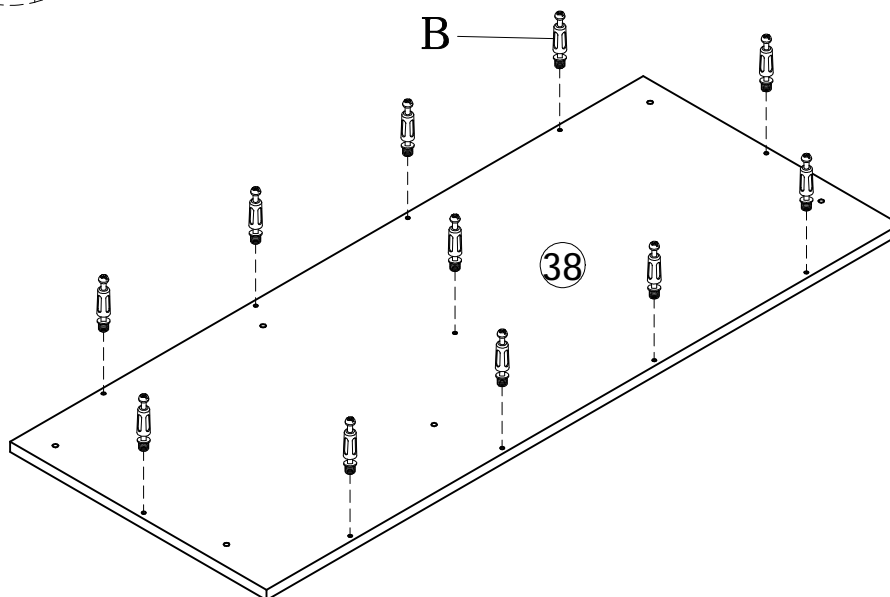
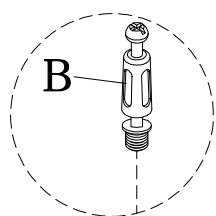


	Ax4
	Cx6

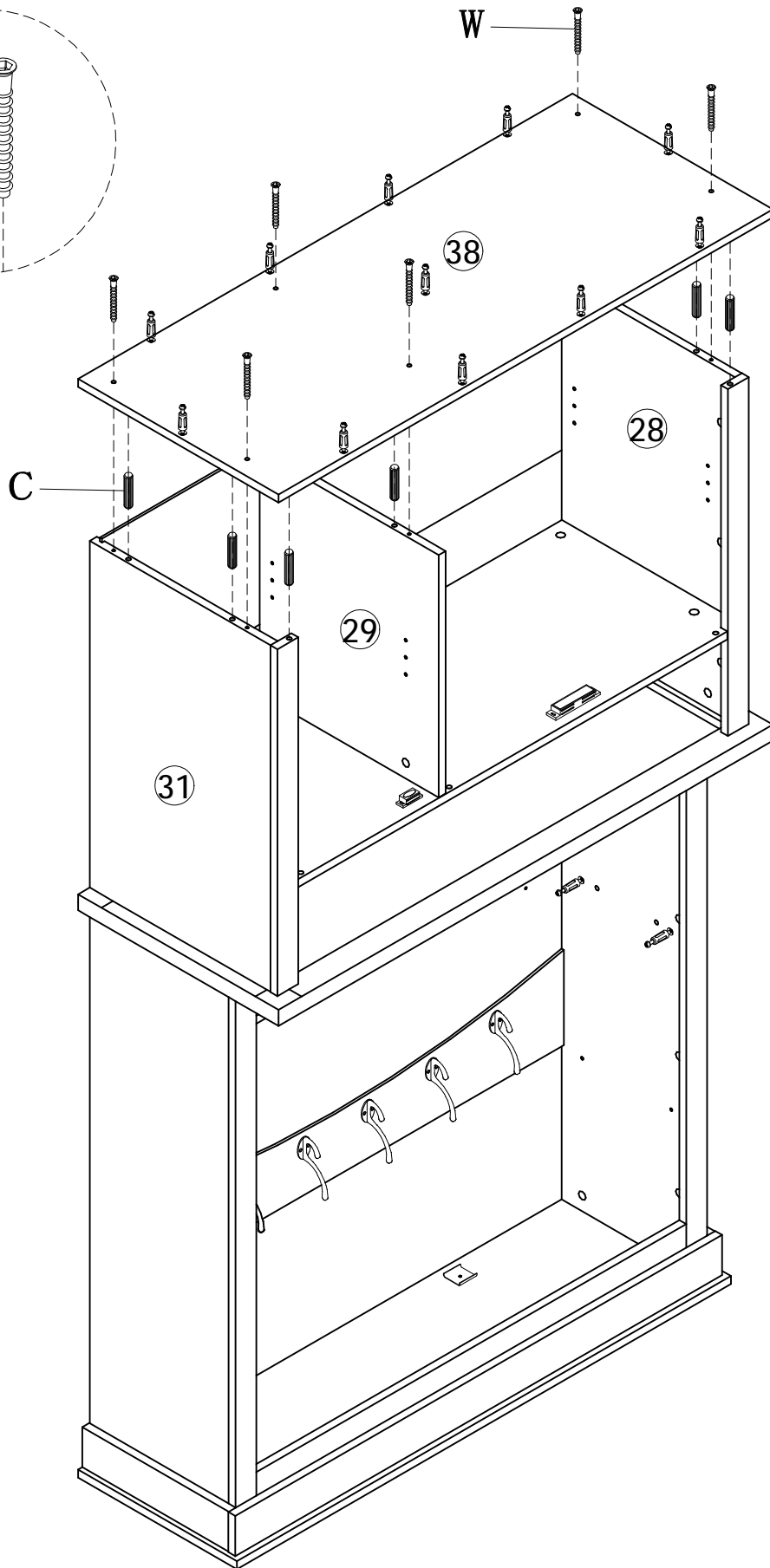
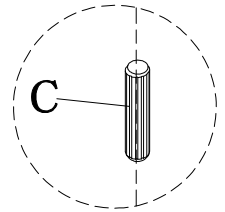
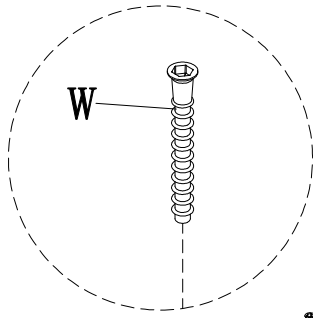
STEP 23

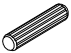
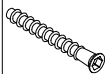


STEP 24

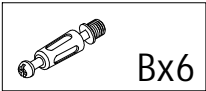
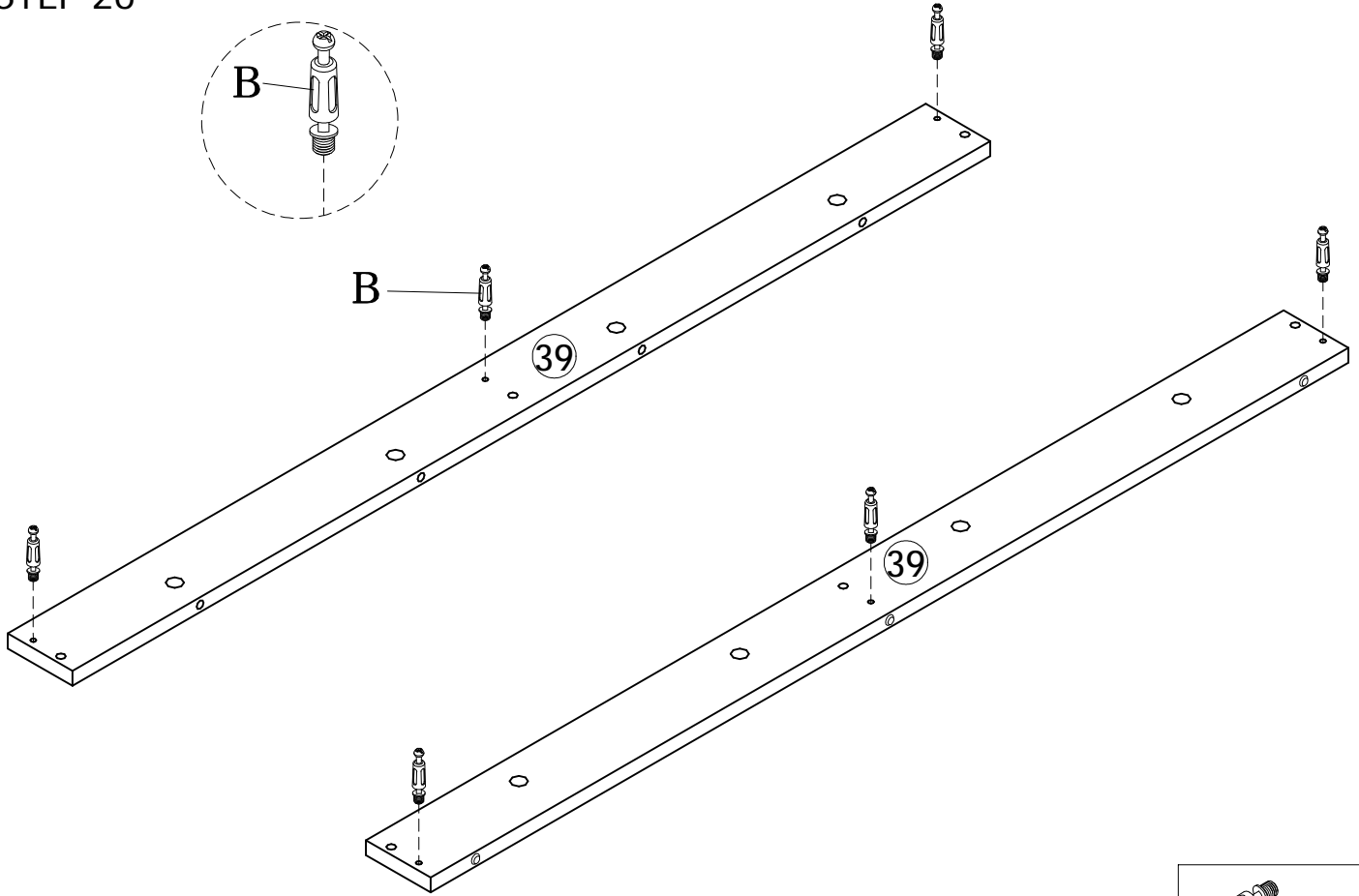


STEP 25

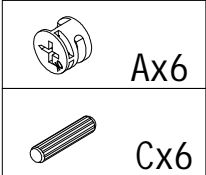
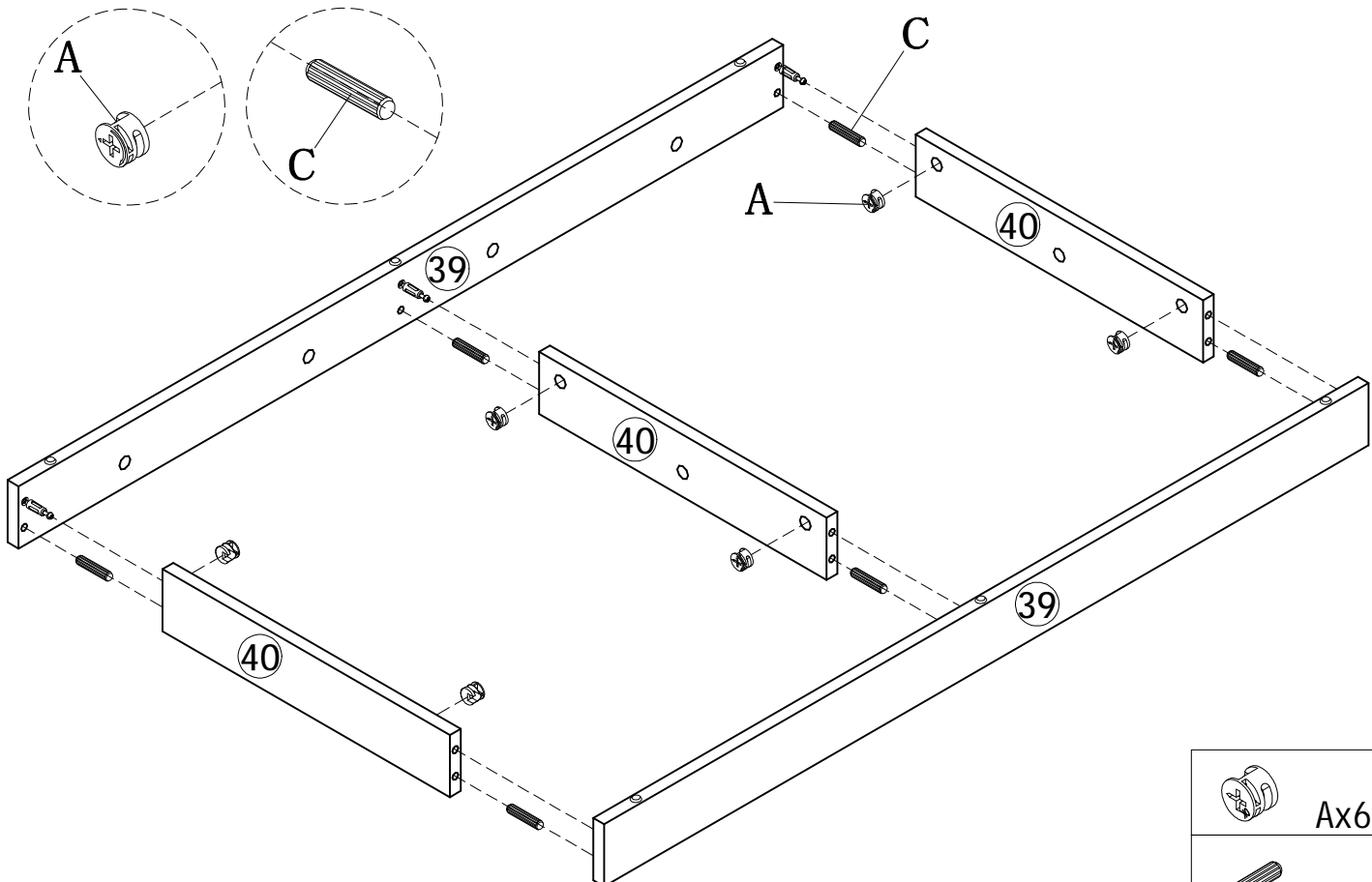


	Cx8
	Wx6

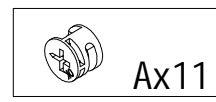
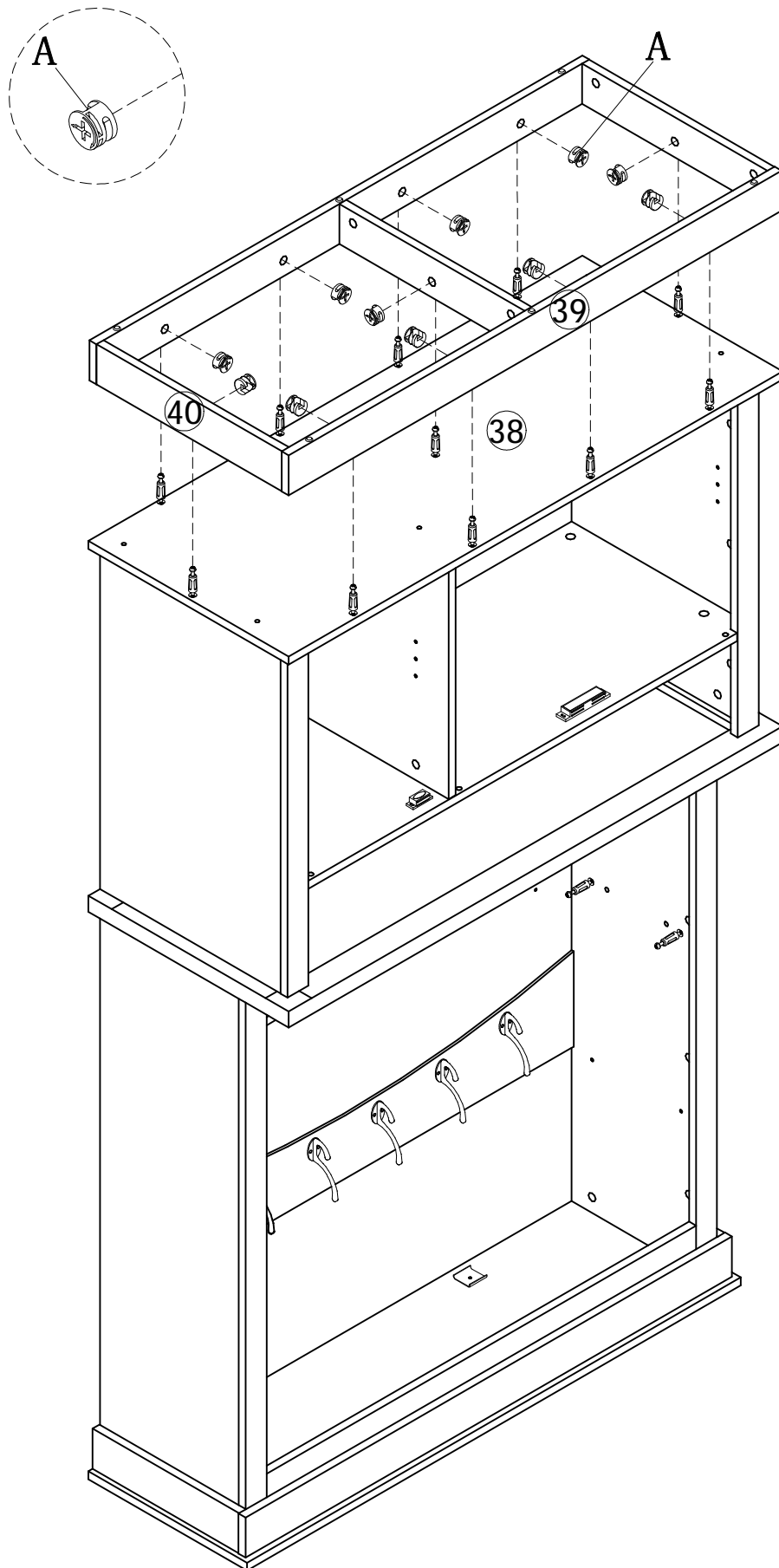
STEP 26



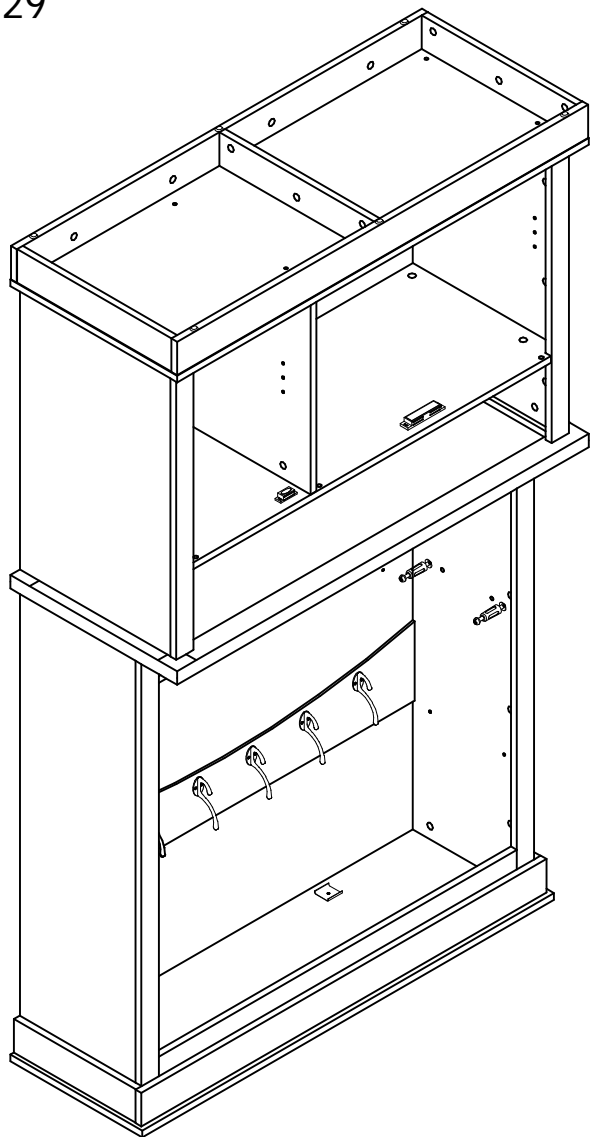
STEP 27



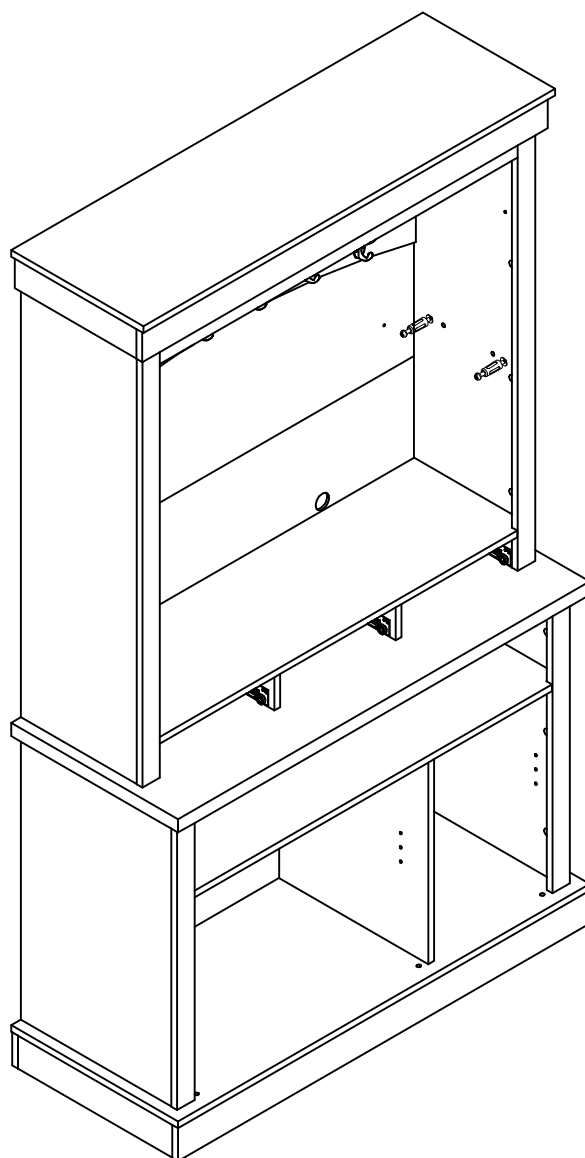
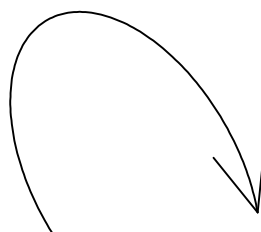
STEP 28



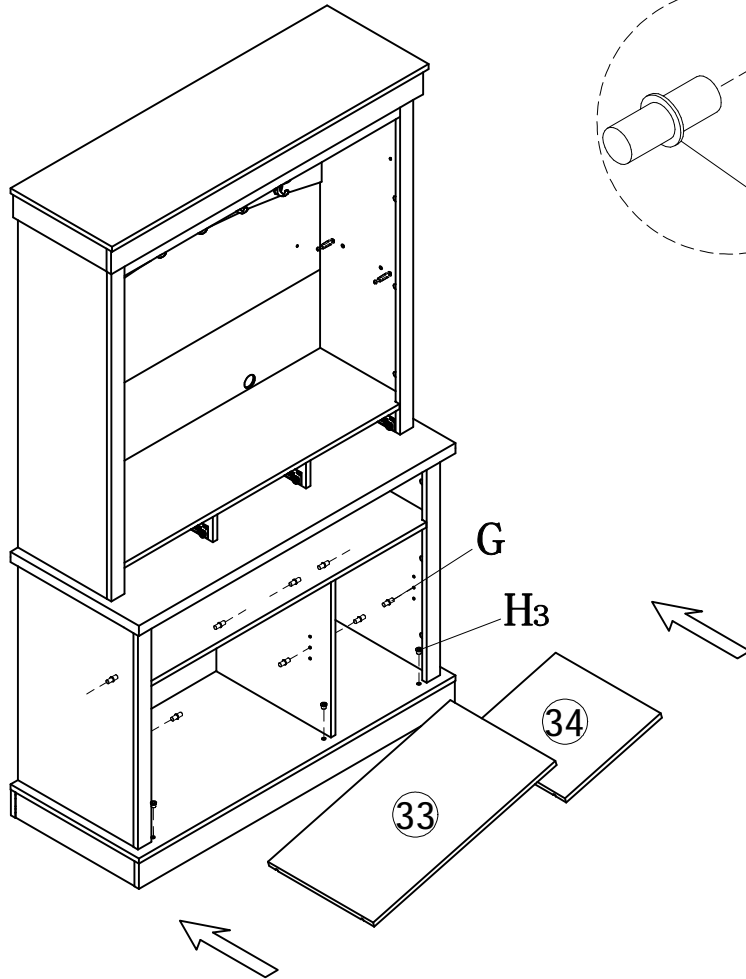
STEP 29



Please be careful to flip
the product over

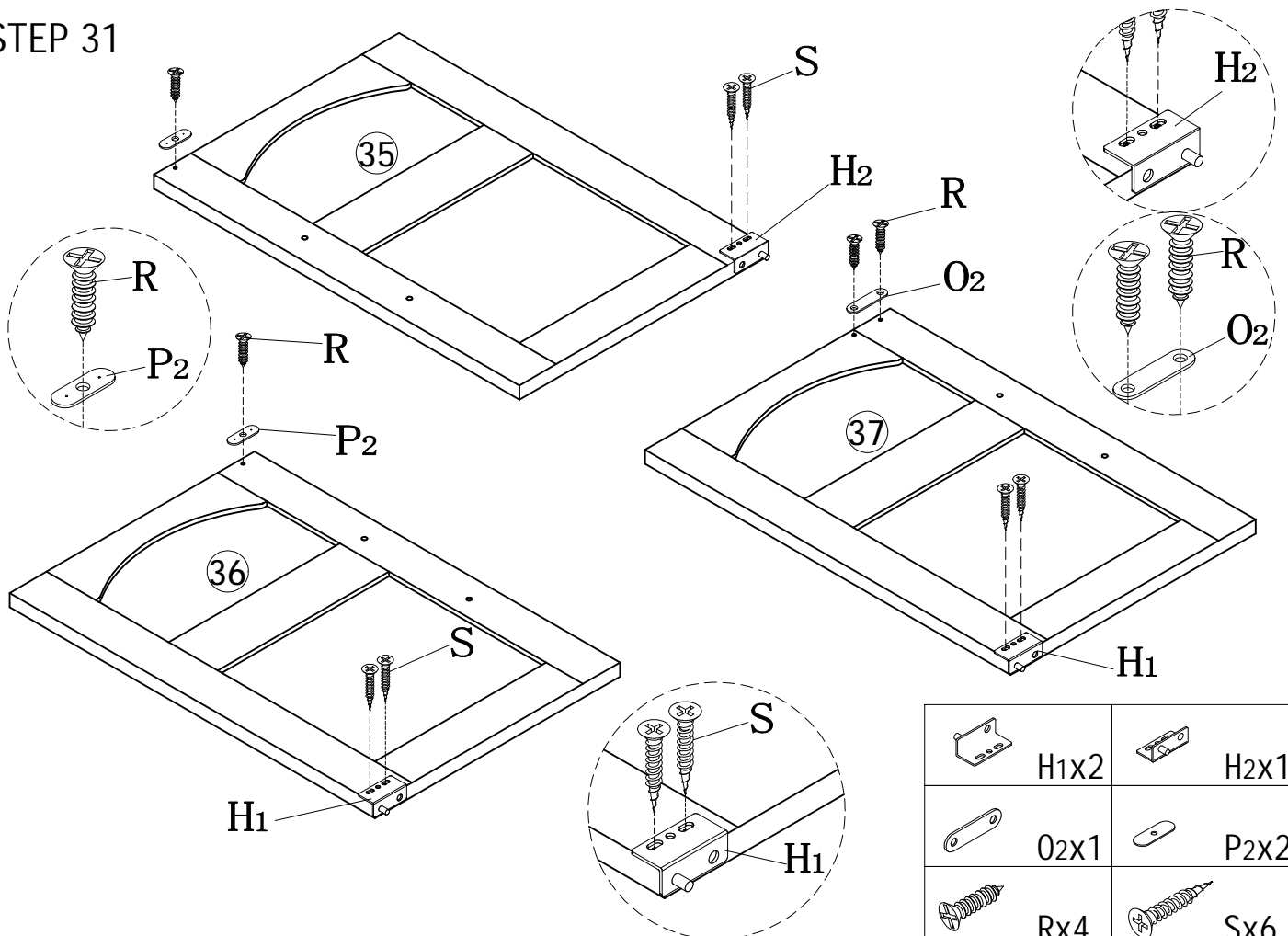


STEP 30



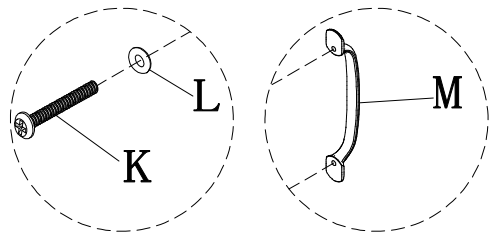
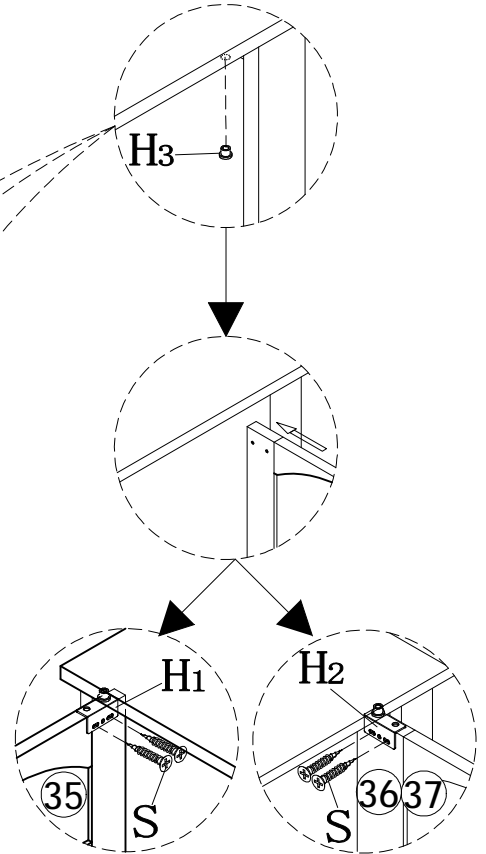
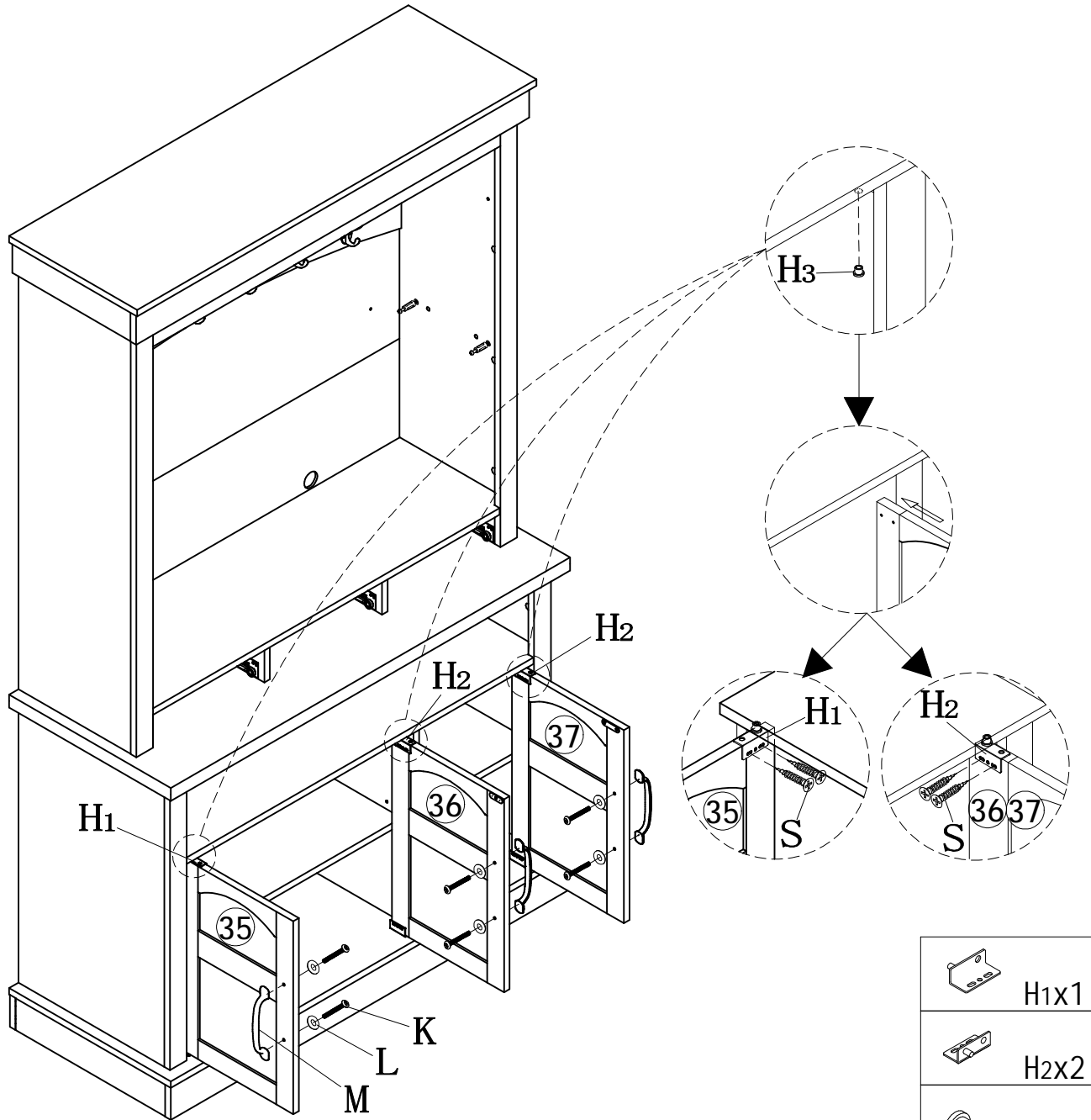
	H3x3
	Gx8

STEP 31



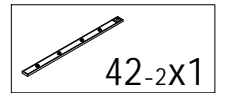
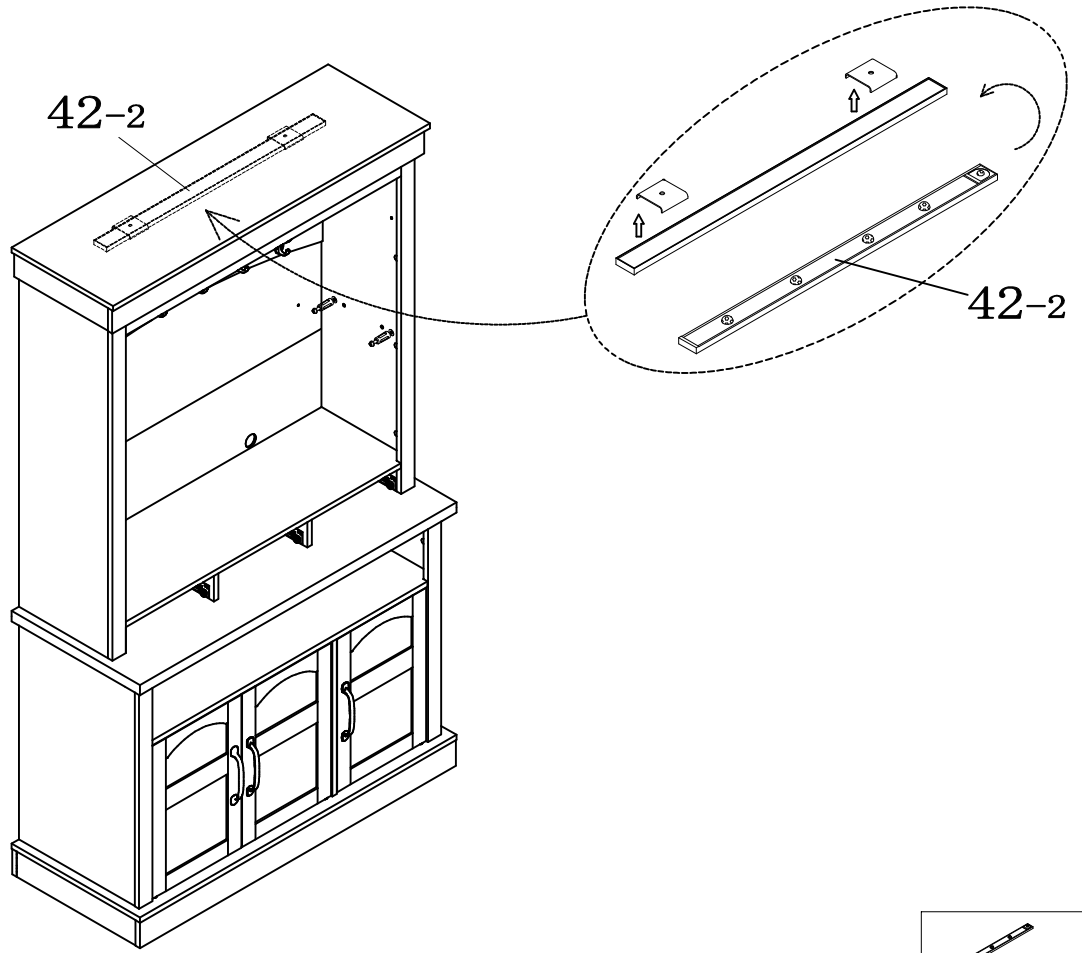
	H1x2		H2x1
	O2x1		P2x2
	Rx4		Sx6

STEP 32

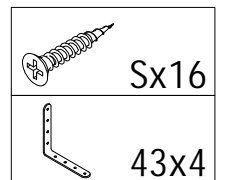
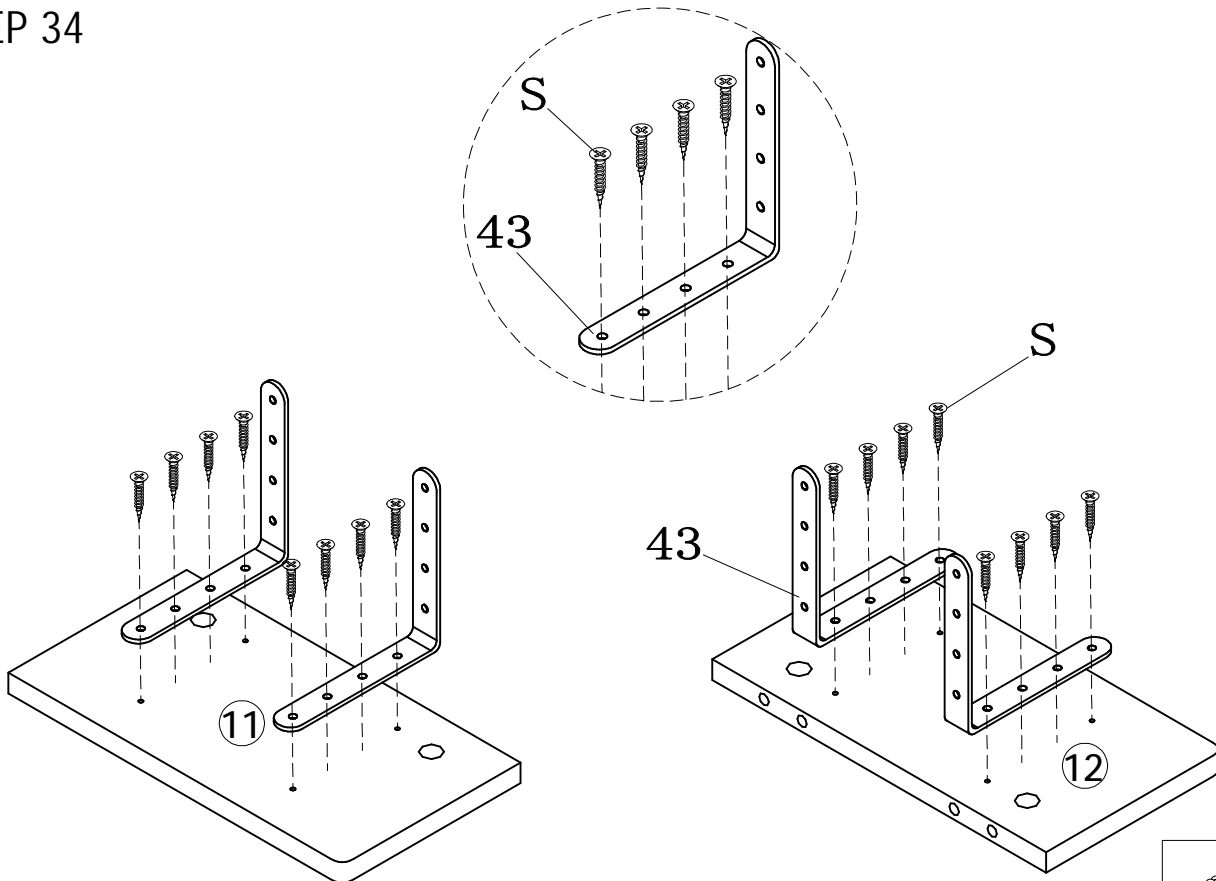


	H1x1
	H2x2
	H3x3
	Kx6
	Lx6
	Mx3
	Sx6

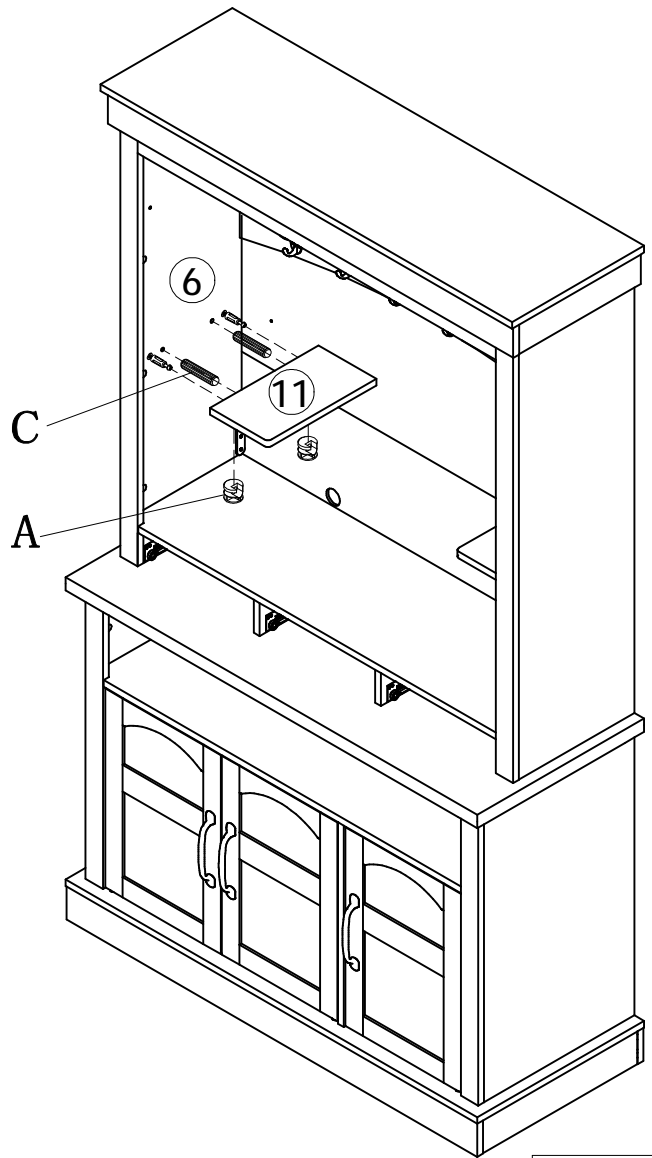
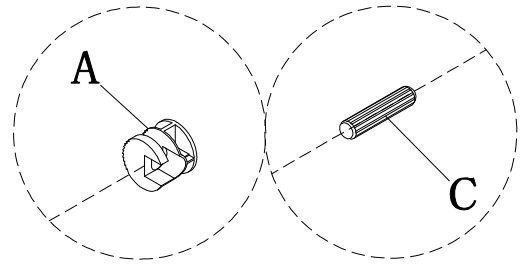
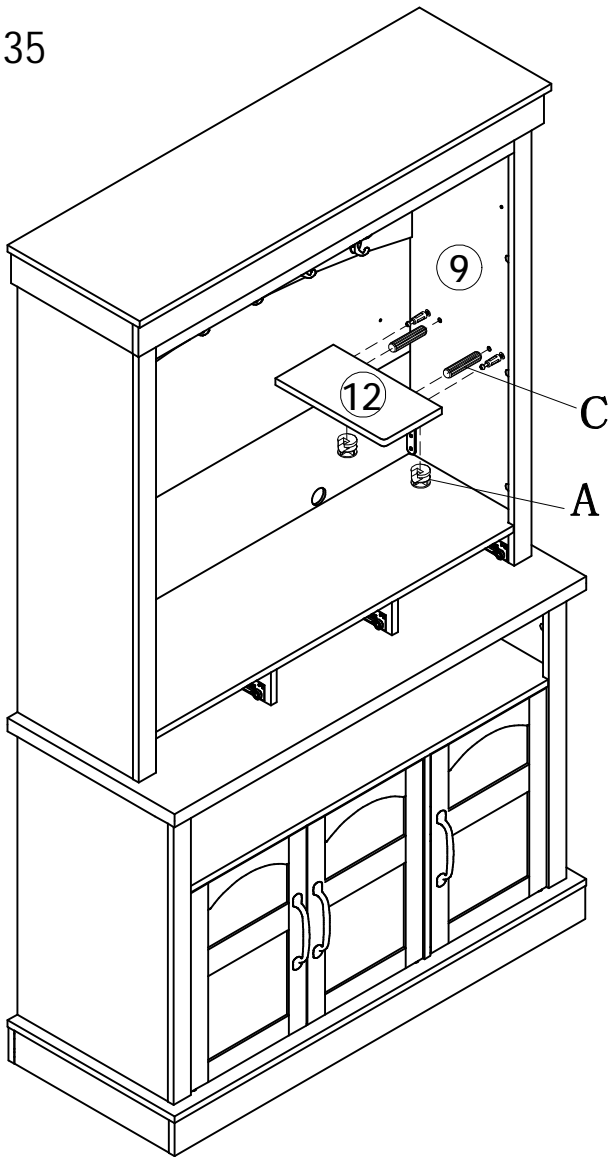
STEP 33


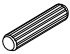


STEP 34

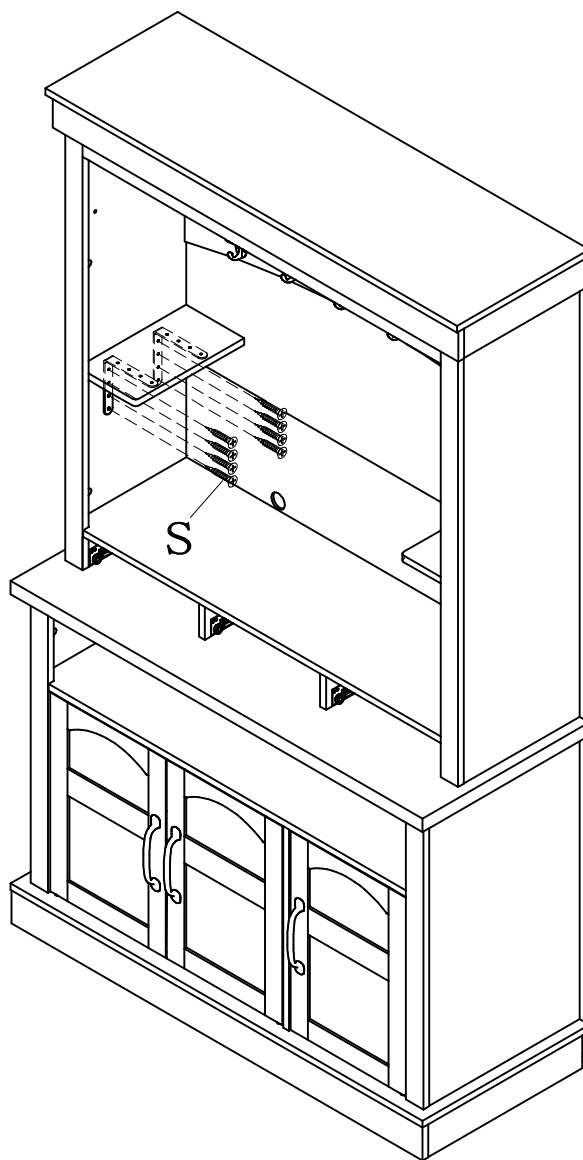
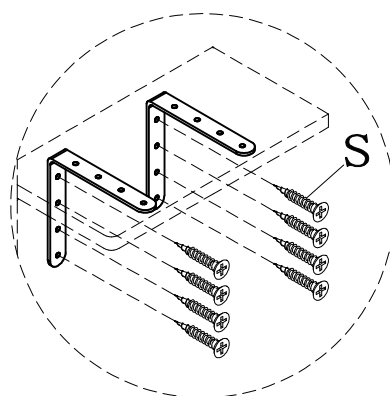
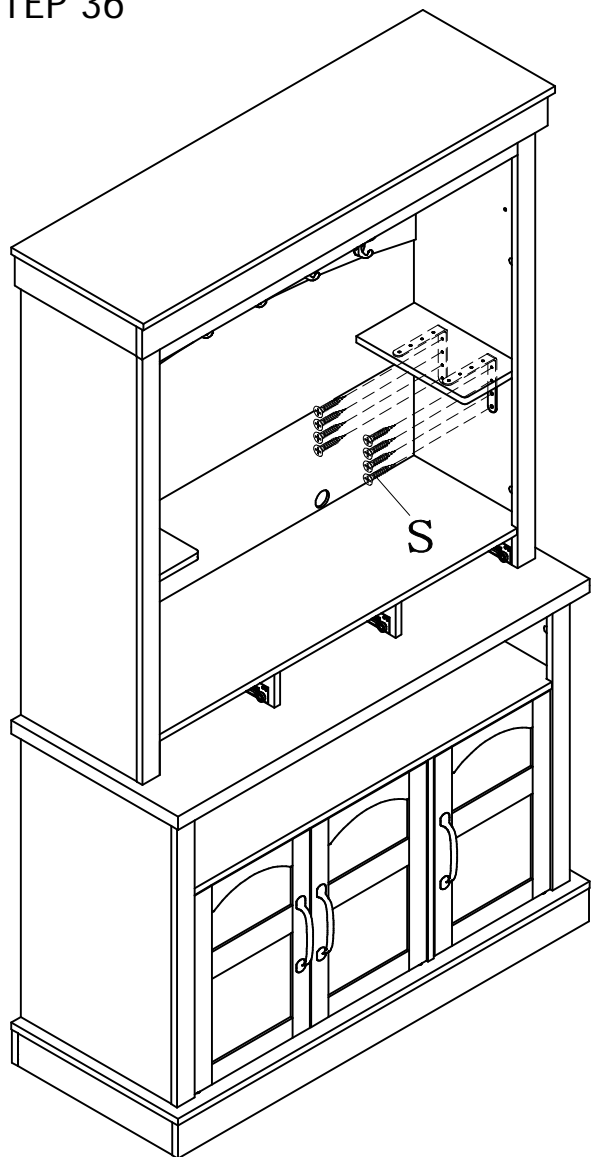


STEP 35

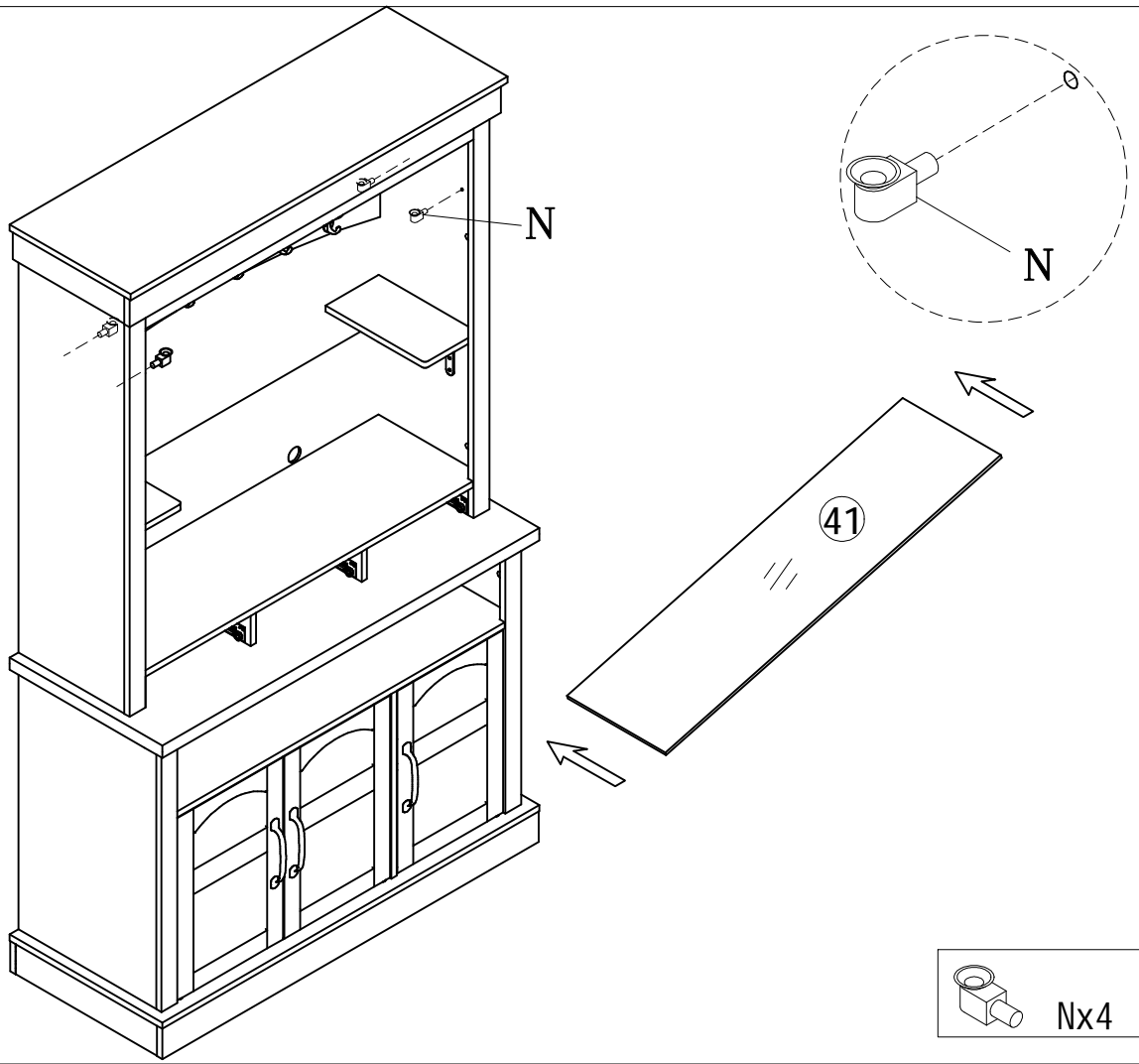


	Ax4
	Cx4

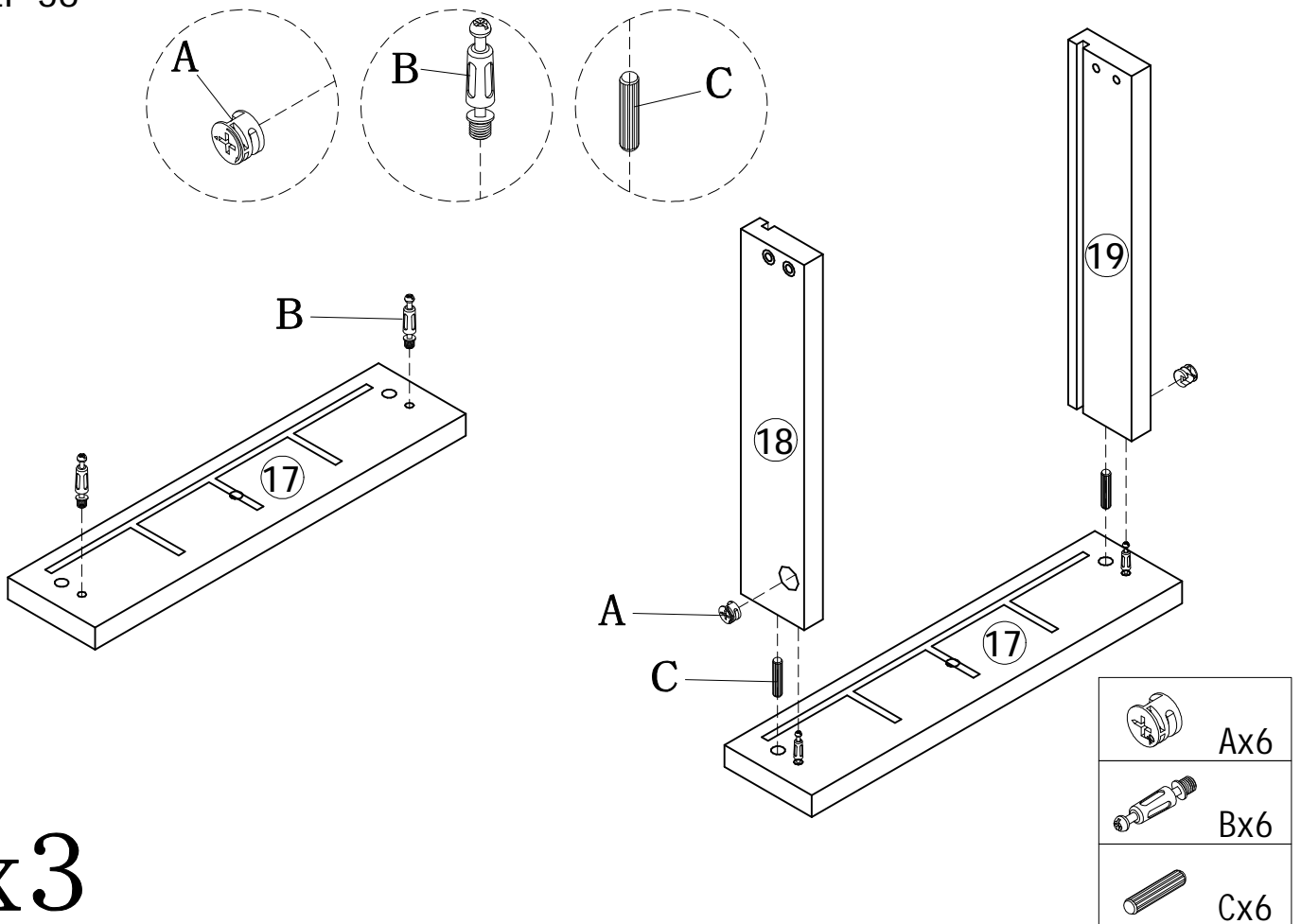
STEP 36



STEP 37

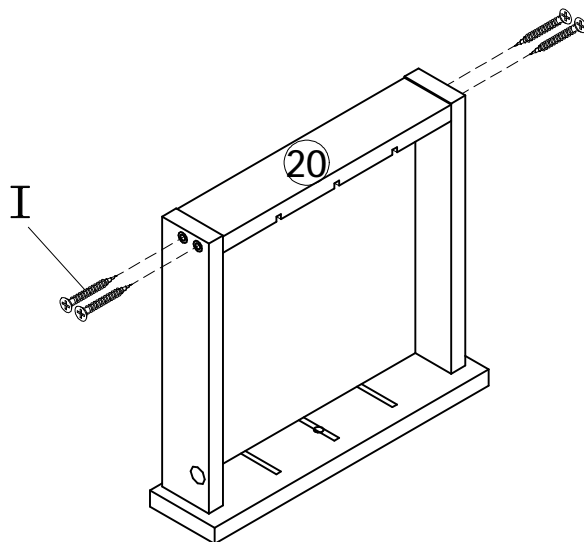
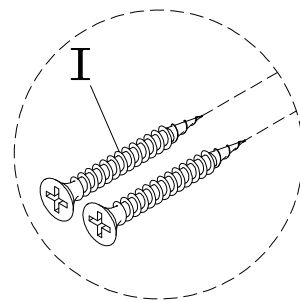
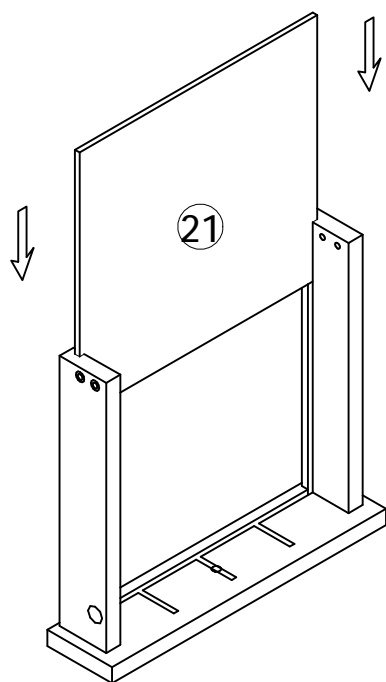


STEP 38

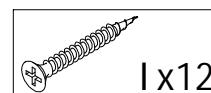


x3

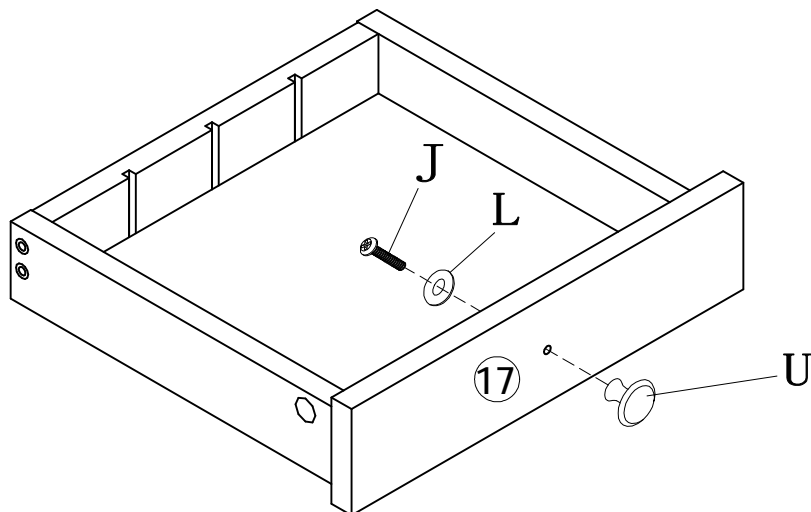
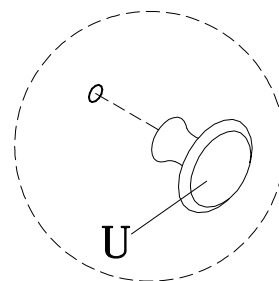
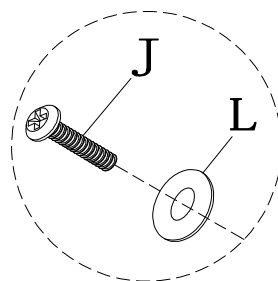
STEP 39



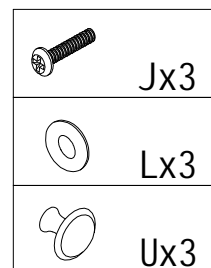
x3



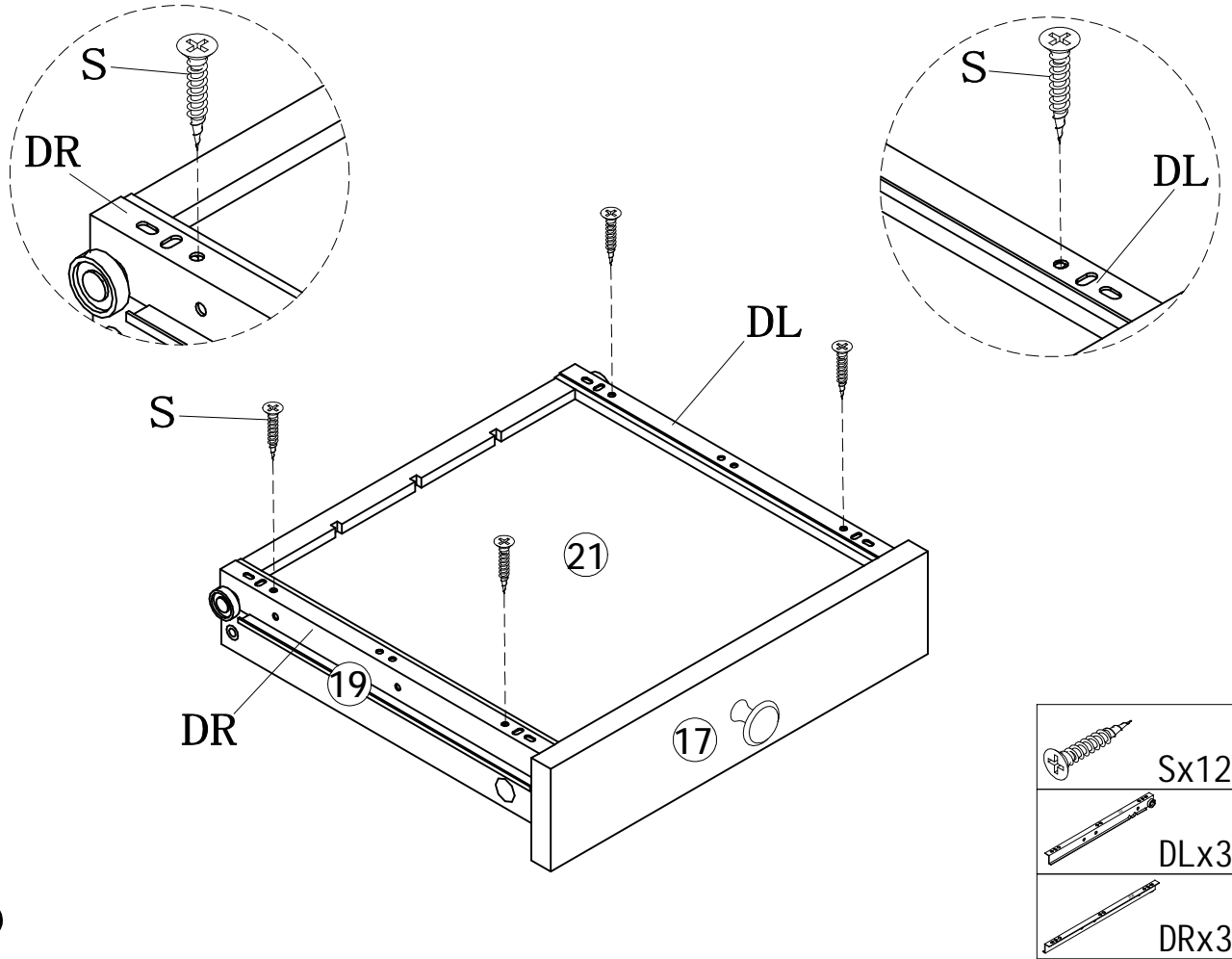
STEP 40



x3

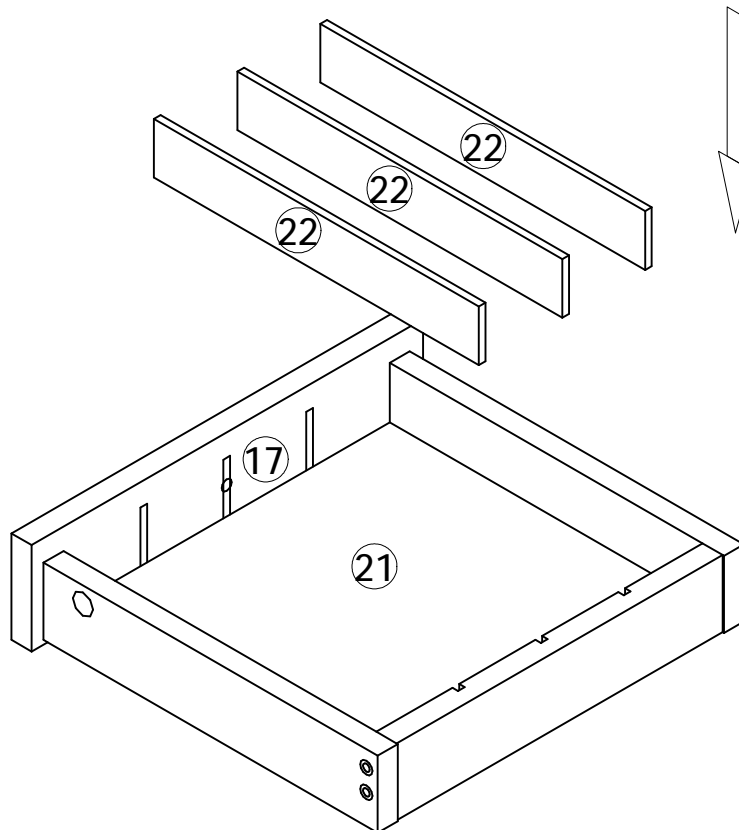


STEP 41



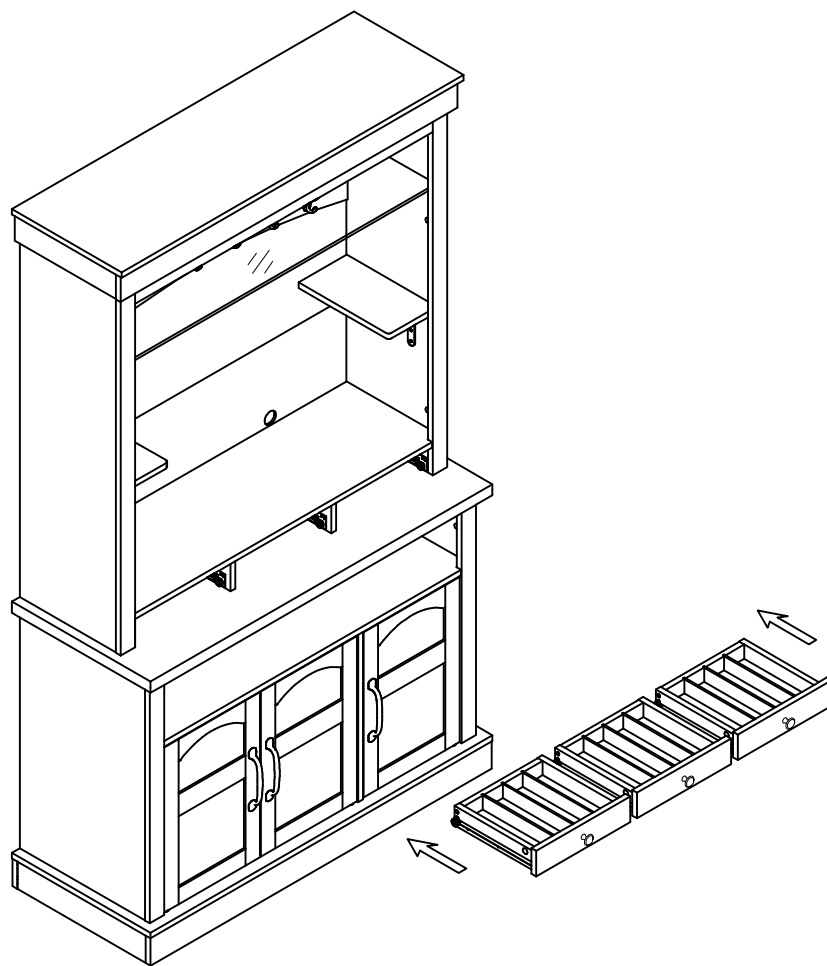
x3

STEP 42

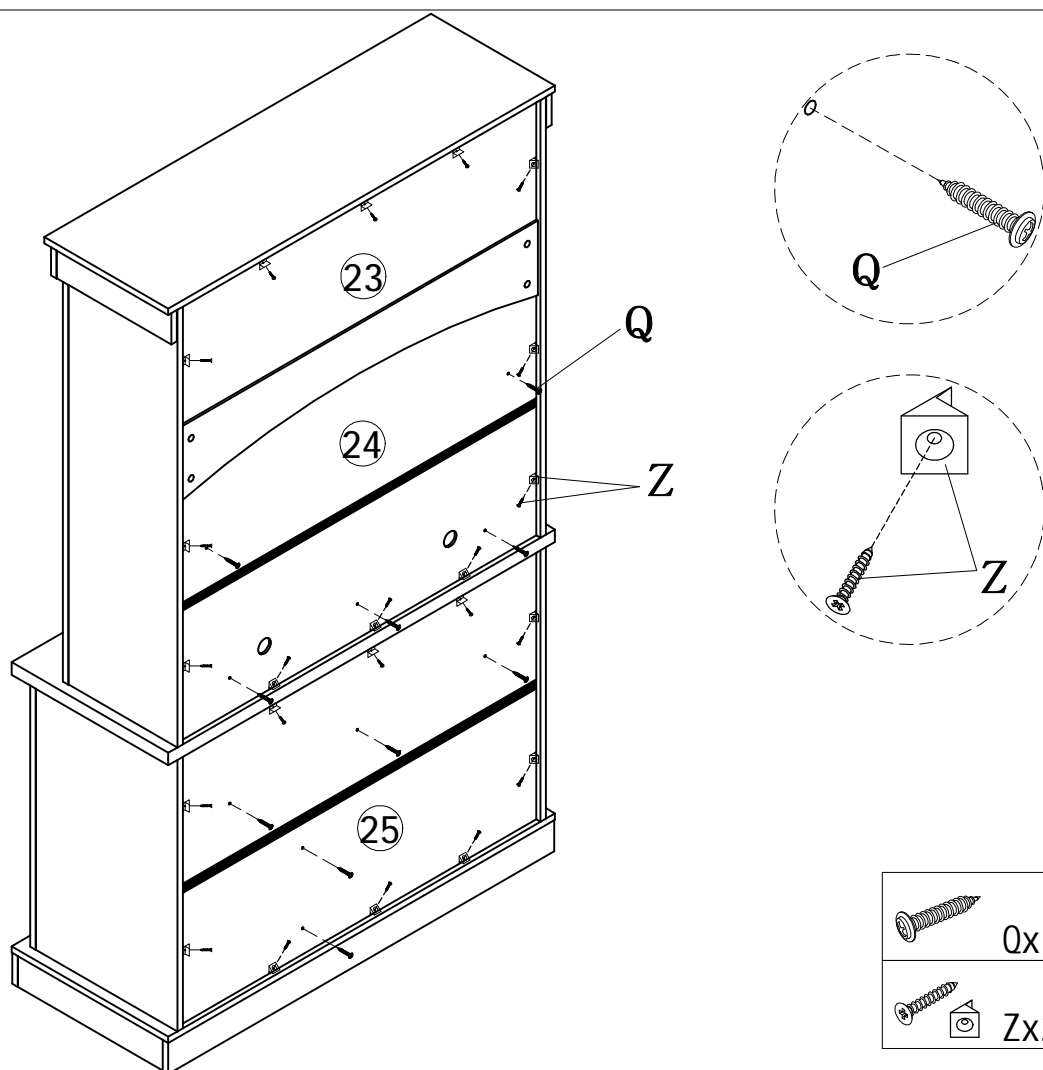


x3

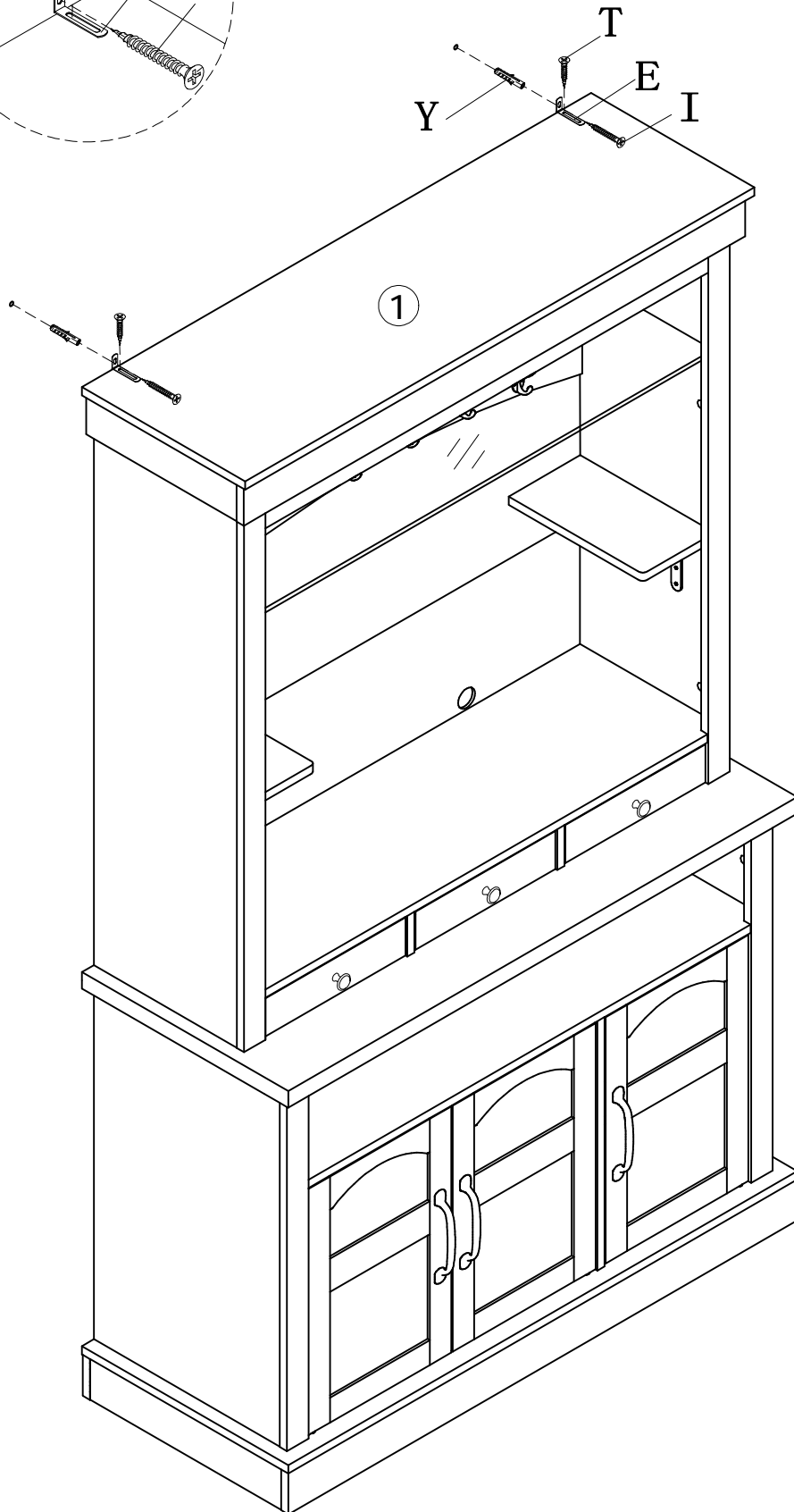
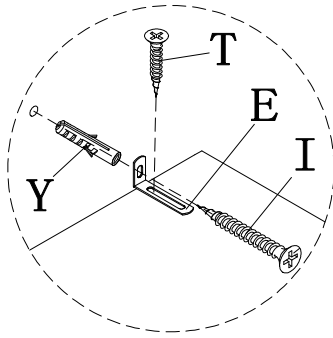
STEP 43

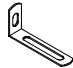





STEP 44



STEP 45



	Ex2
	Ix2
	Tx2
	Yx2

IMPORTANT SAFETY INFORMATION

Please carefully read the following instructions and caution warnings before assembling the product. Following this guide will ensure that you install, use and maintain the product properly.

- Please keep this installation and user manual/instructions for future reference in case you need to disassemble the product.
- Do not assemble if you notice serious damage such as cracks or bends.
- During installation, please use work gloves for hand safety.
- Please assemble the unit on carpeted floor or the flat cardboard box to avoid scratching the surface or your floor while assembling on the floor.
- To assemble, please use the complimentary installation tools (Phillips screwdriver). Pay more attention to the direction of components at each steps.
- It is recommended that two people work together to assemble the product.
- Please do not tighten the screws up too much, just to 80% before you finish to make the installation successful.

RETURN POLICY

- We believe you will absolutely love your new product. But for some reason you want to return your item, please contact us within 30 days after receiving and ensure that the product which you want to return is in a good condition in the original box with all original certificates of purchase, manuals and accessories attached.

HOW TO MAINTAIN YOUR PRODUCT:

- Check the screws of the product are not loose from regular use.
- Do not use sharp instruments, rubbing alcohol, corrosive chemicals, or abrasive cleaners to clean the product.
- Do not keep the product in a damp environment for a long period of time. The damp environment may cause the iron components to rust and the plates to bulge and crack.

How to find us?

Customer Service

Email: support@garvee.com

Limited Liability & Warning

No Unauthorized Modifications/Repairs: Do not modify or attempt to repair this product unless you are an authorized technician. Unauthorized actions may create hazards and void all warranties

Misuse & Non-Compliance: We are not liable for any injury, damage, or loss resulting from:

- (a) misuse, abuse, neglect, or improper installation;
- (b) failure to follow instructions or safety precautions;
- (c) use of unauthorized parts/accessories;
- (d) unauthorized modifications/repairs;
- (e) accidents, natural disasters, or external causes.

If you doubt any step of installation or operation, stop using the product and contact authorized service or the customer support.

LIMITACIÓN DE RESPONSABILIDAD Y ADVERTENCIA

Modificaciones o Reparaciones No Autorizadas: NO modifique ni intente reparar este producto a menos que sea un técnico autorizado. Las acciones no autorizadas pueden generar riesgos y anularán todas las garantías.

Uso Indevido e Incumplimiento: No asumimos responsabilidad alguna por lesiones, daños o pérdidas que resulten de:

- (a) uso indebido, abuso, negligencia o instalación incorrecta;
- (b) incumplimiento de las instrucciones o precauciones de seguridad;
- (c) uso de piezas o accesorios no autorizados;
- (d) modificaciones o reparaciones no autorizadas;
- (e) accidentes, desastres naturales o causas externas.

Si tiene dudas sobre algún paso de la instalación o el funcionamiento, deje de usar el producto y póngase en contacto con el servicio técnico autorizado o con atención al cliente.

GARVEE
support@garvee.com