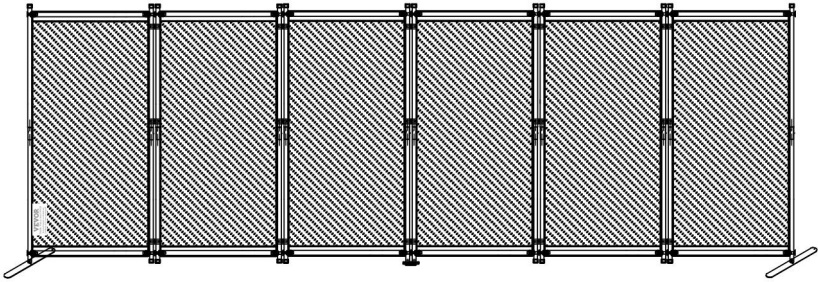


**FABRIC ROOM DIVIDE
USER MANUAL**

FABRIC ROOM DIVIDE



SAFETY INSTRUCTIONS

WARNING:

Read this material before using this product. Failure to do so can result in serious injury.

Assembly precautions

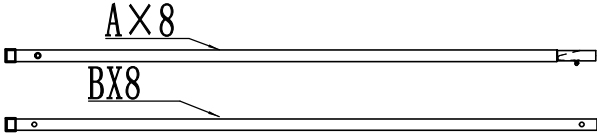
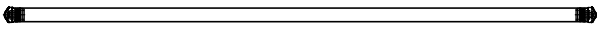
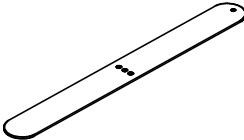
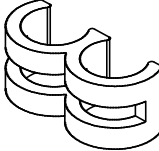
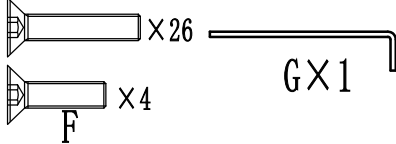

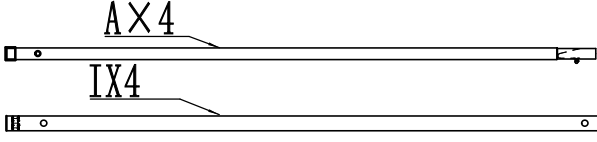
1. Assemble only according to these instructions. Improper assembly can create hazards.
2. Wear ANSI-approved safety goggles and heavy-duty work gloves during assembly.
3. Keep the assembly area clean and well-lit.
4. Keep bystanders out of the area during assembly.
5. Do not assemble if tired or when under the influence of alcohol, drugs or medication.
6. The product capabilities apply to properly and completely assembled products only.
7. Assemble on a flat, level, hard and smooth surface capable of safely supporting the Fabric Room Divide.
8. For additional information regarding the parts listed in the following pages, please refer to the Assembly Diagram of this manual. Unwrap and separate all parts in a clean work area.

Use precautions

1. DO NOT SIT OR STAND ON THIS ITEM.
2. This product is not a toy. Do not allow children to play with or near this item.
3. Do not exceed specified weight capacities.
4. Use only on a flat, level, hard, and smooth surface that can safely support a fully loaded Fabric Room Divide.
5. Use as intended only.
6. Inspect before every use; do not use if parts are loose or damaged.

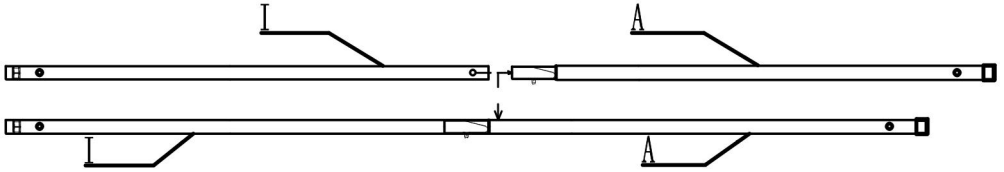
SAVE THIS MANUAL

PARTS LIST

A+B		8
C		12
D		3
E		15
F+G		1
H		6
A+I		4

NOTE: H is the fabric of the screen, pay attention not to get dirty when installing.

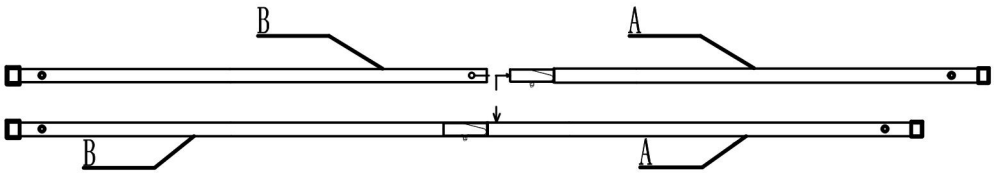
STEP 1



Connect material I and Material A (as shown in the figure) and put them together.

Total 4 groups

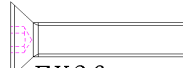
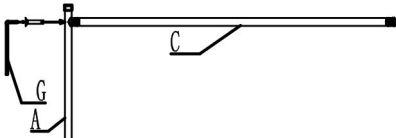
STEP 2



Connect material B and Material A (as shown in the figure) and put them together.

Total 8 groups

STEP 3

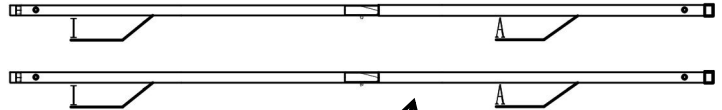
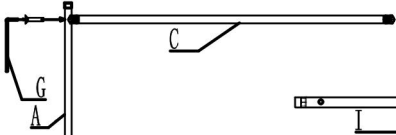
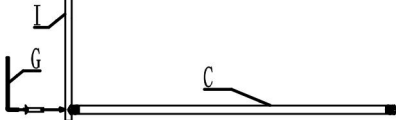


FX26

2 of them are spares

The marble faces inward.

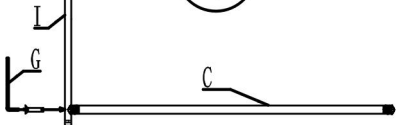
①



The marble faces inward.

④

The remaining two groups

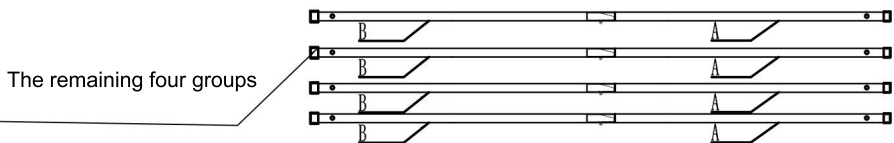
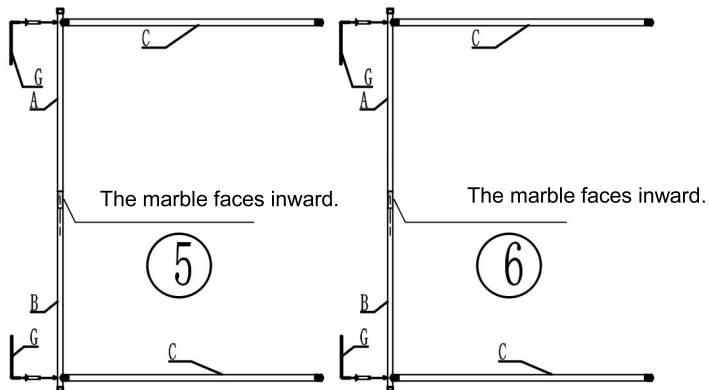
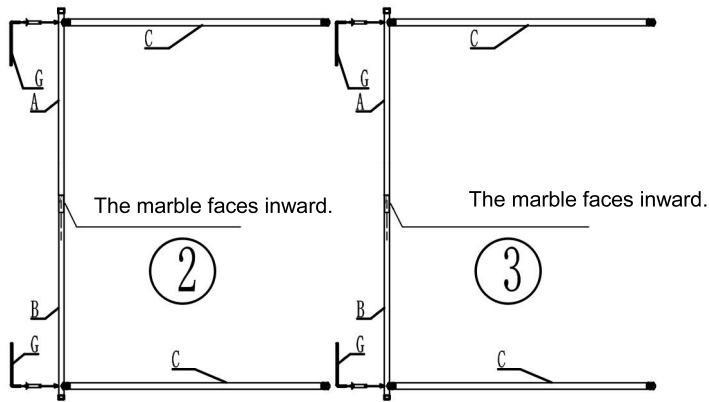


Take the material C of the 2 roots and step 1 to connect a good one through the screw F connection (as shown in the figure), the combination of attention to the position of the marbles (as shown in the figure), and then tighten the G tool, this group for the No. 1

Follow the same steps to assemble another group, this group is No.④.

The remaining two sets of tubes go to the side.

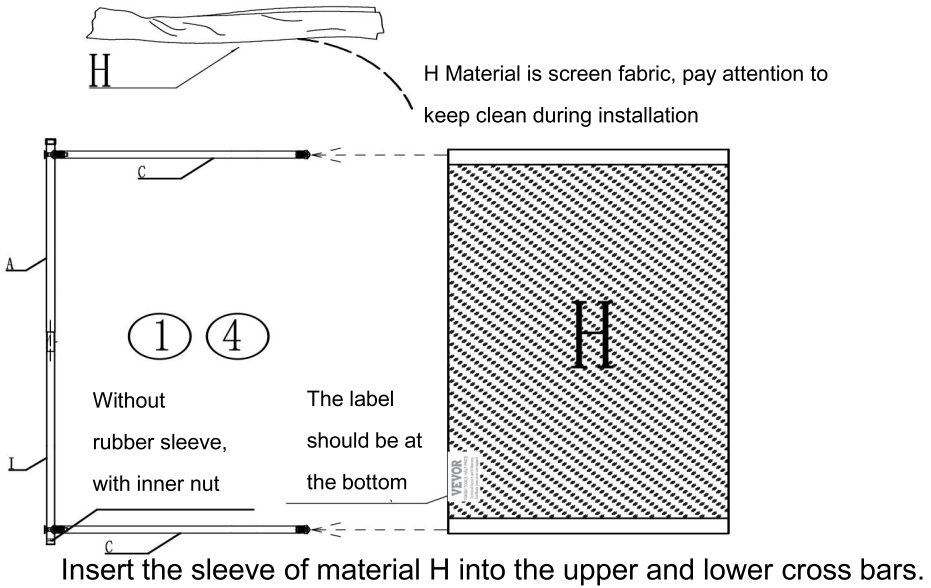
STEP 4



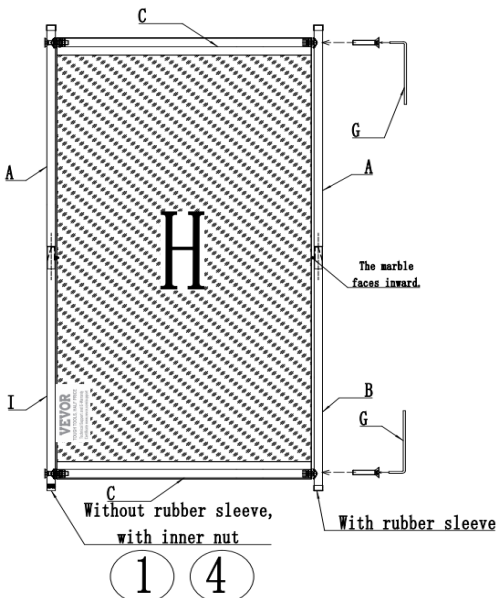
Take the material C of the 2 roots and step 2 to connect a good one through the screw F connection (as shown in the figure), the combination of attention to the position of the marbles (as shown in the figure), and then tighten the G tool, this group of 2

Follow the same steps to assemble 3 more groups, They're ③-⑤-⑥.
The remaining two sets of tubes go to the side.

STEP 5

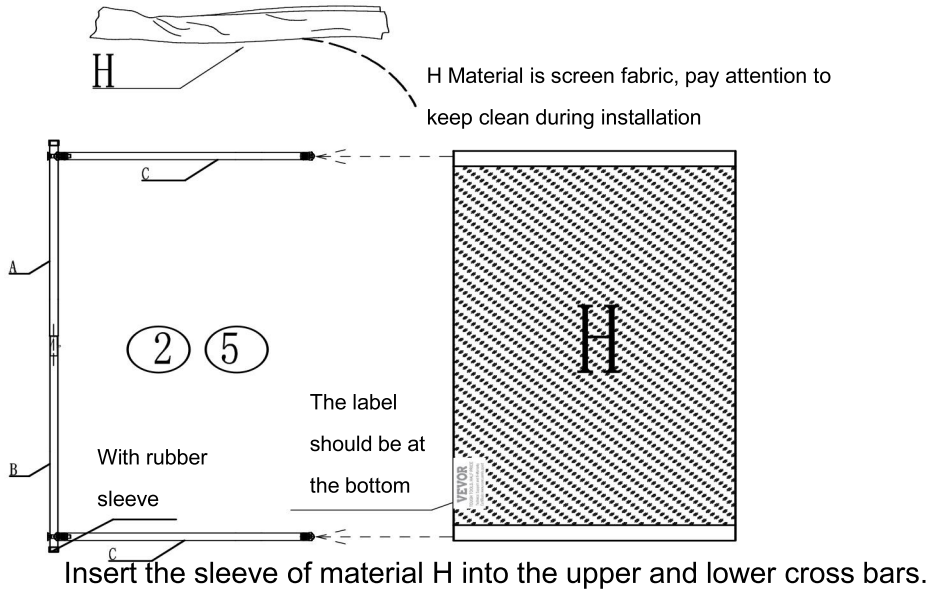


STEP 6

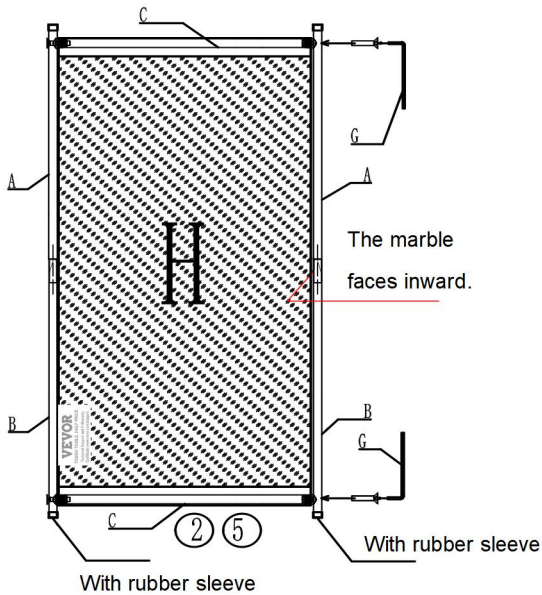


In the pipe of Step 2, take 2 sets, unscrew first, then connect, and then tighten with G tool, paying attention to the position of the marble.

STEP 7

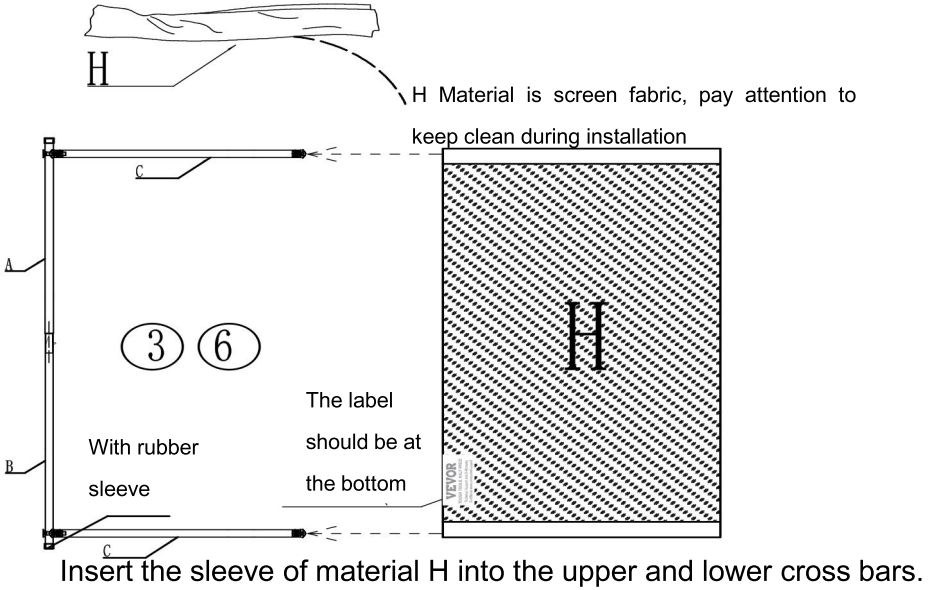


STEP 8

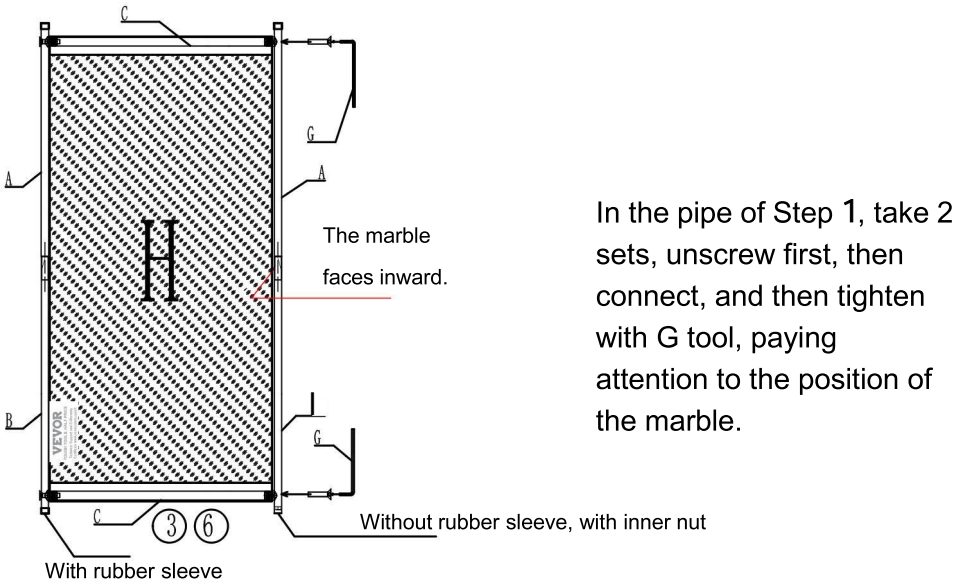


In the pipe of Step 2, take 2 sets, unscrew first, then connect, and then tighten with G tool, paying attention to the position of the marble.

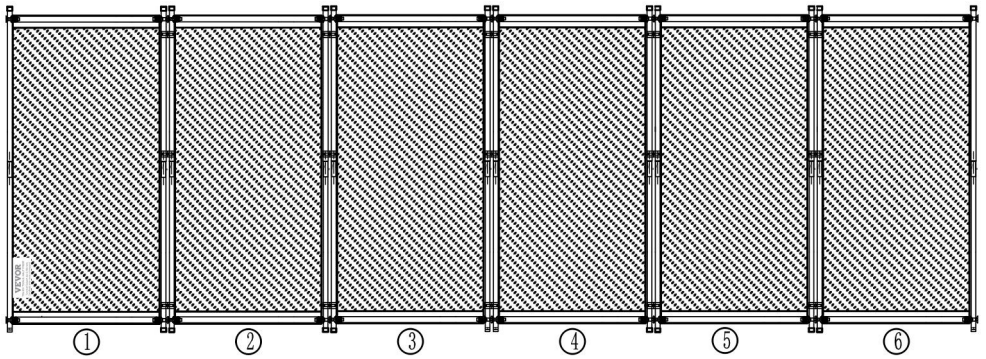
STEP 9



STEP 10

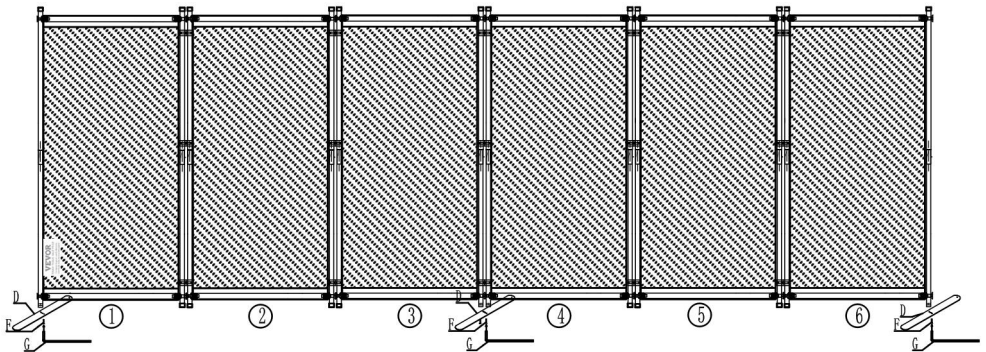


STEP 11



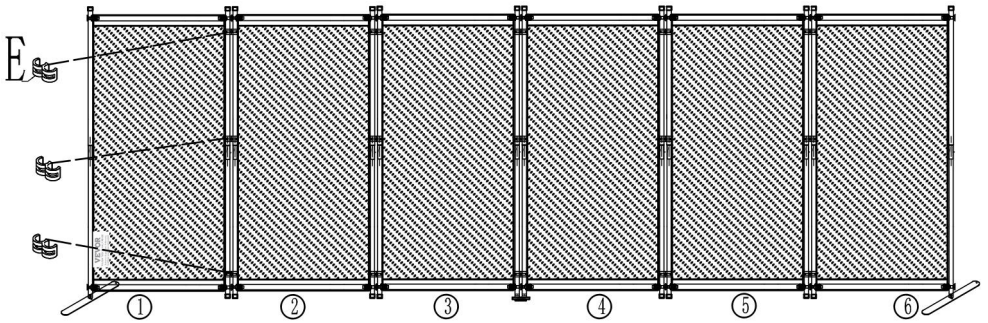
Arrange the assembled shelves in order.

STEP 12



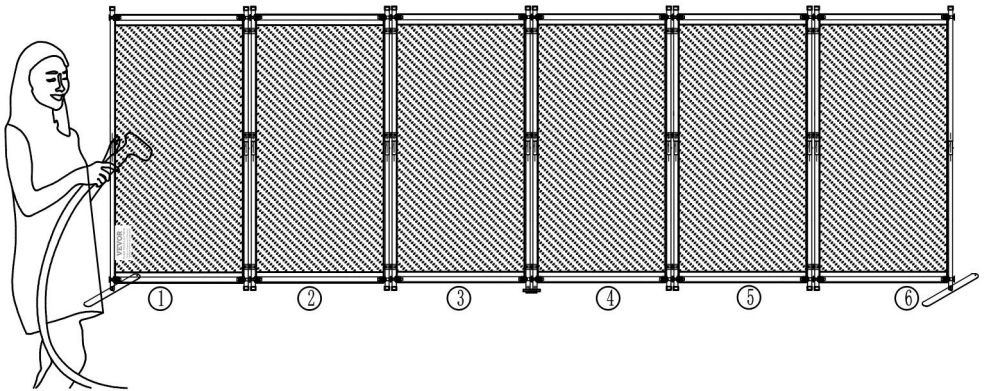
Take material D and combine it with step 11, connect it through the 4 short connections of screw F and then tighten it with tool G

STEP 13



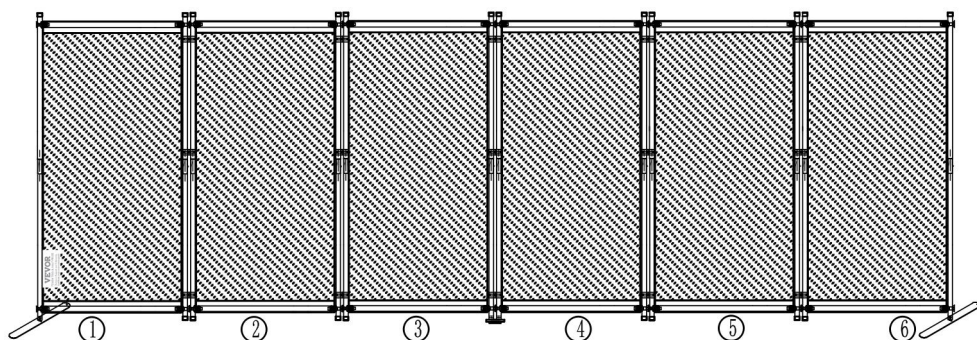
Put the 6 groups of shelves neatly and connect them by material E.

STEP 14



After the installation is completed, arrange the fabric to ensure that the fabric is smooth. If the fabric has wrinkles, you can use a household hanging press to iron it.

STEP 15



PRODUCT PARAMETER

Colour	Black	Gray	Cream-Coloured
Number of panels	6		
Product Size	3390 *1805*450mm		