

INSTALLATION GUIDE

WARNINGS AND CAUTIONS

Released Date:2025-08

READ AND SAVE THESE INSTRUCTIONS

Please read and understand this entire manual before attempting to assemble, install or operate the product.

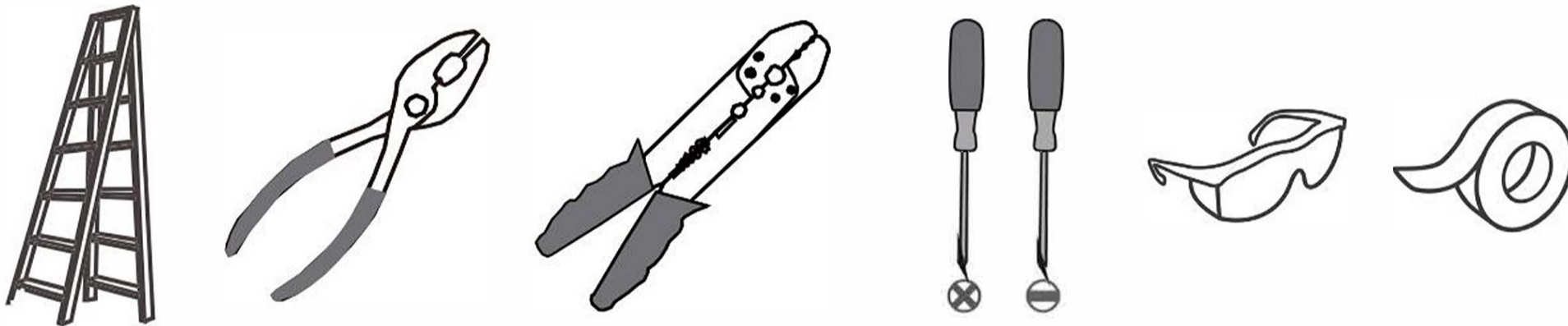
WARNING

- RISK OF ELECTRIC SHOCK - Before beginning installation, turn off electricity at the circuit breaker box or the main fuse box.
- RISK OF FIRE - Use bulbs specified by the markings and/or labels on the fixture.

CAUTION

- For your safety, read instructions completely before beginning installation.
- If in doubt about electrical installation, consult a licensed electrician.
- Turn off electricity to fixture before replacing the bulb(s).

TOOLS REQUIRED

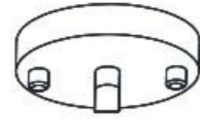


CARE AND MAINTENANCE

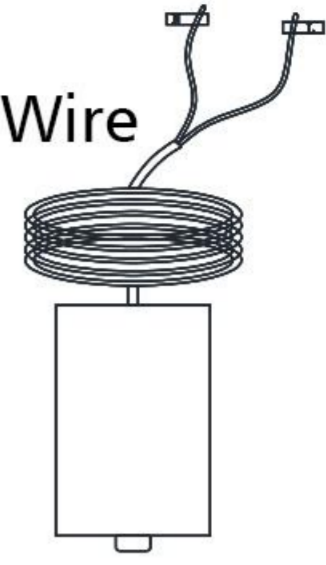
- Wipe clean using soft, dry cloth or static duster. Always avoid using harsh chemicals and abrasives to clean fixture as they may damage the finish.

PACKAGE CONTENTS

A Ceiling Canopy
x 1



C Fixture Body with Wire
x 1



B Socket Rod
x 8



D Forest Deer Iron Panel
x 8



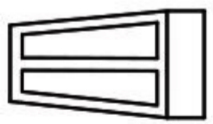
E Threaded Pipe
x 1



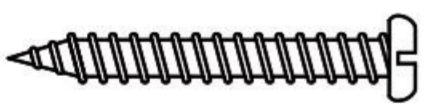
F Hanging Chain
x 1



PACKAGE CONTENTS (PARTS BAG 1)



AA Wire Connector
x 4



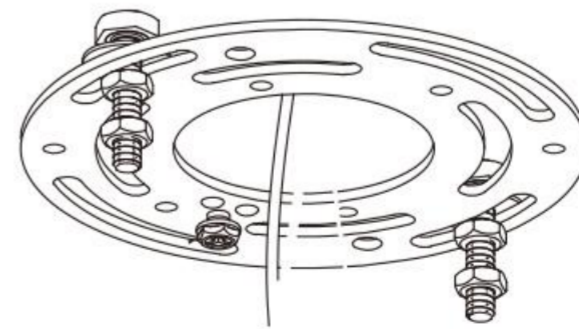
BB Screw
x 4



CC Wall Anchor
x 4



DD Mechanical Screw
x 2



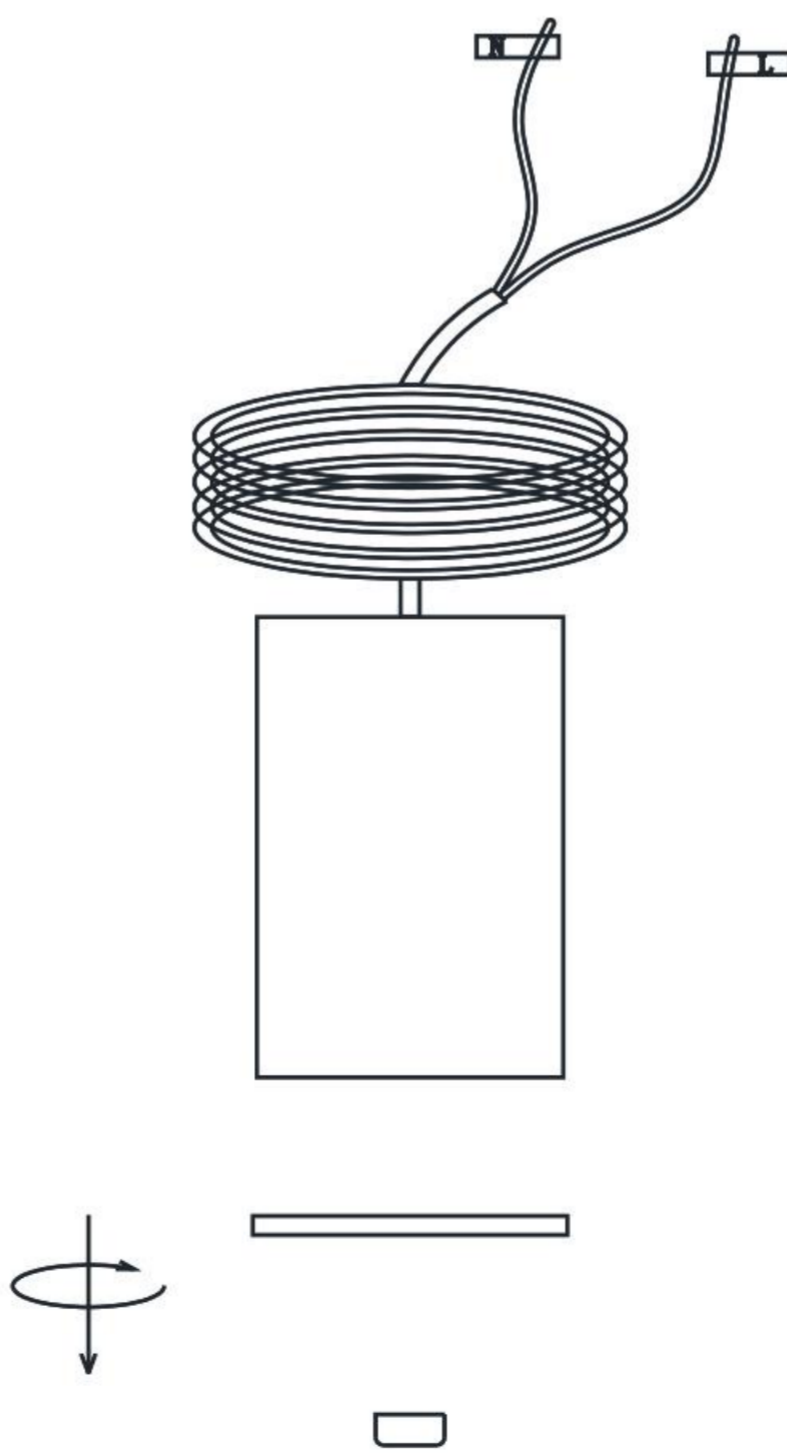
EE Mounting Bracket
x 1

INSTALLATION

1 Unscrew the nut and washer from the socket rod

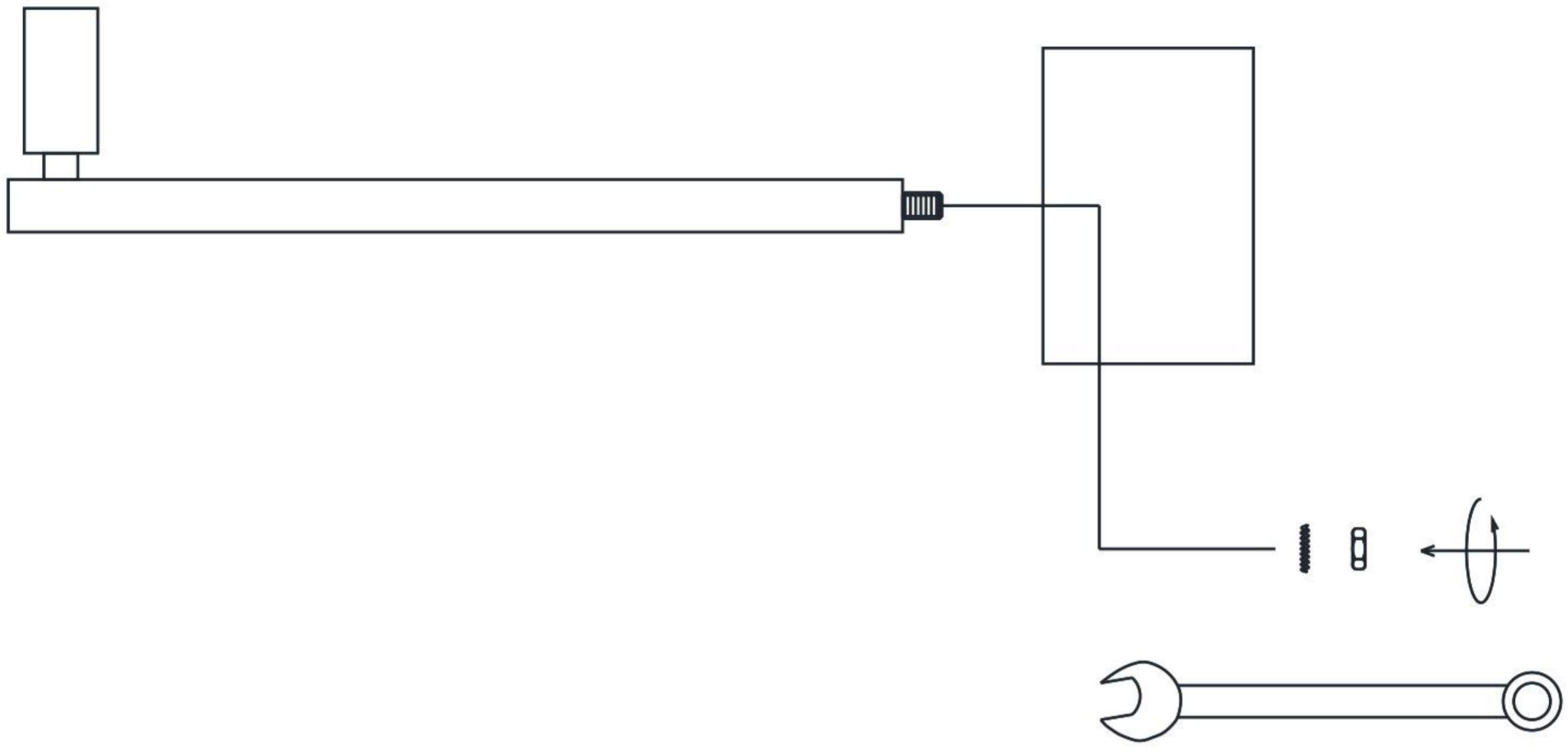


2 Unscrew the nut from the fixture body and remove the cover
Set it aside for later installation

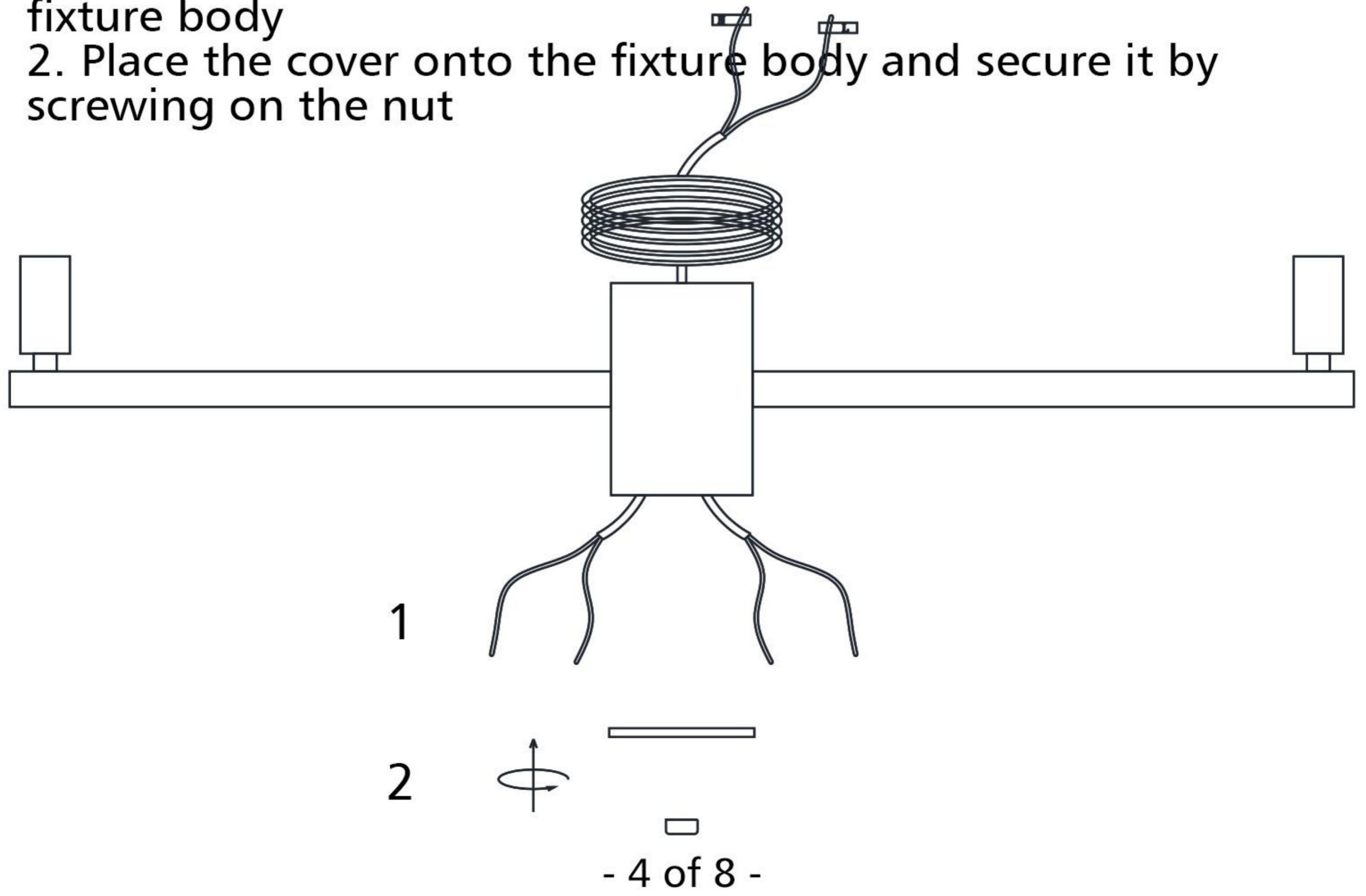


INSTALLATION

3 Insert the socket rods through the fixture body, then attach a washer and screw on a nut in sequence. A total of 8 socket rods need to be installed



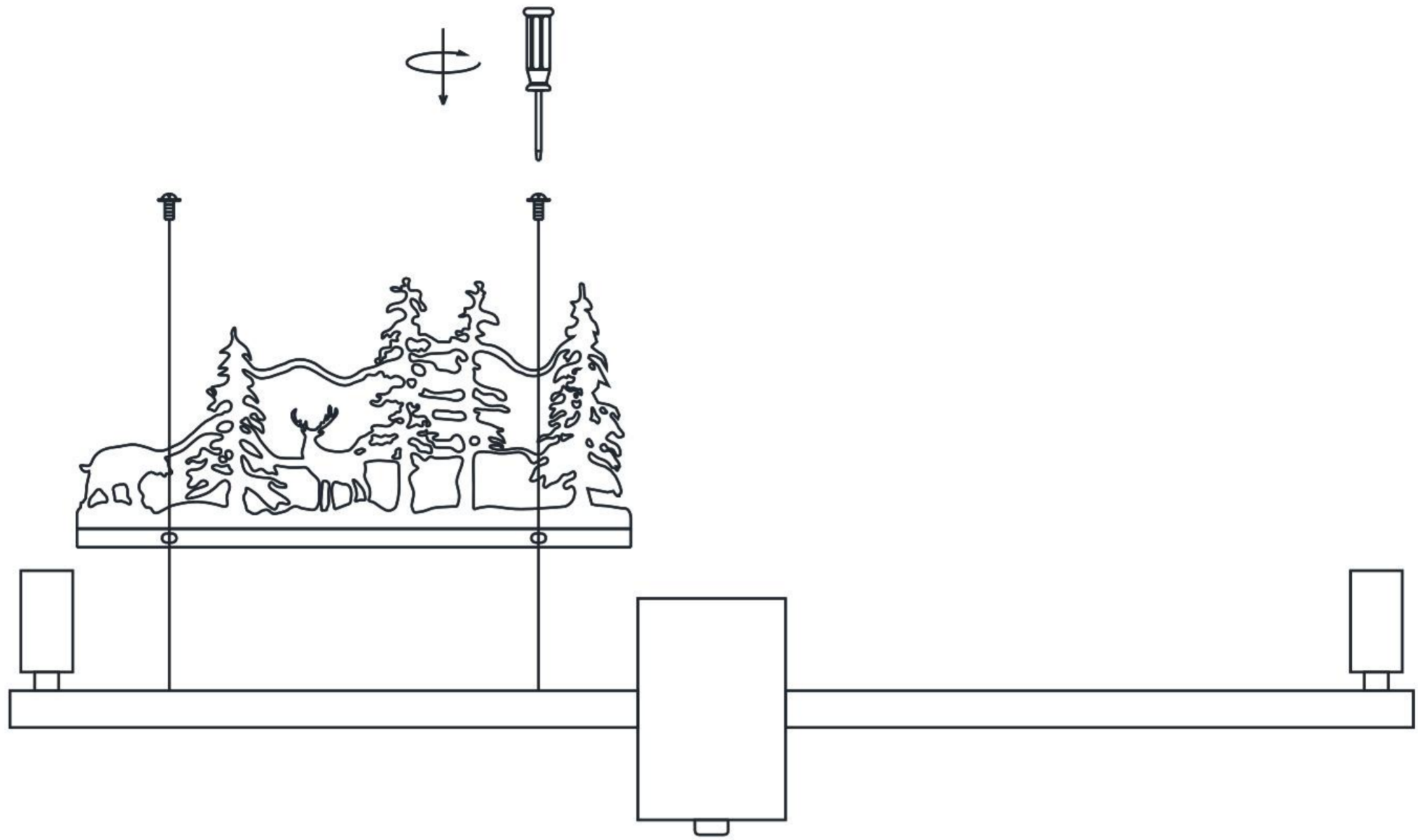
4 1. Connect the wires from the socket rod to the wires from the fixture body, matching the colors (white to white, black to black) Secure the connections with wire nuts and tuck them into the fixture body
2. Place the cover onto the fixture body and secure it by screwing on the nut



INSTALLATION

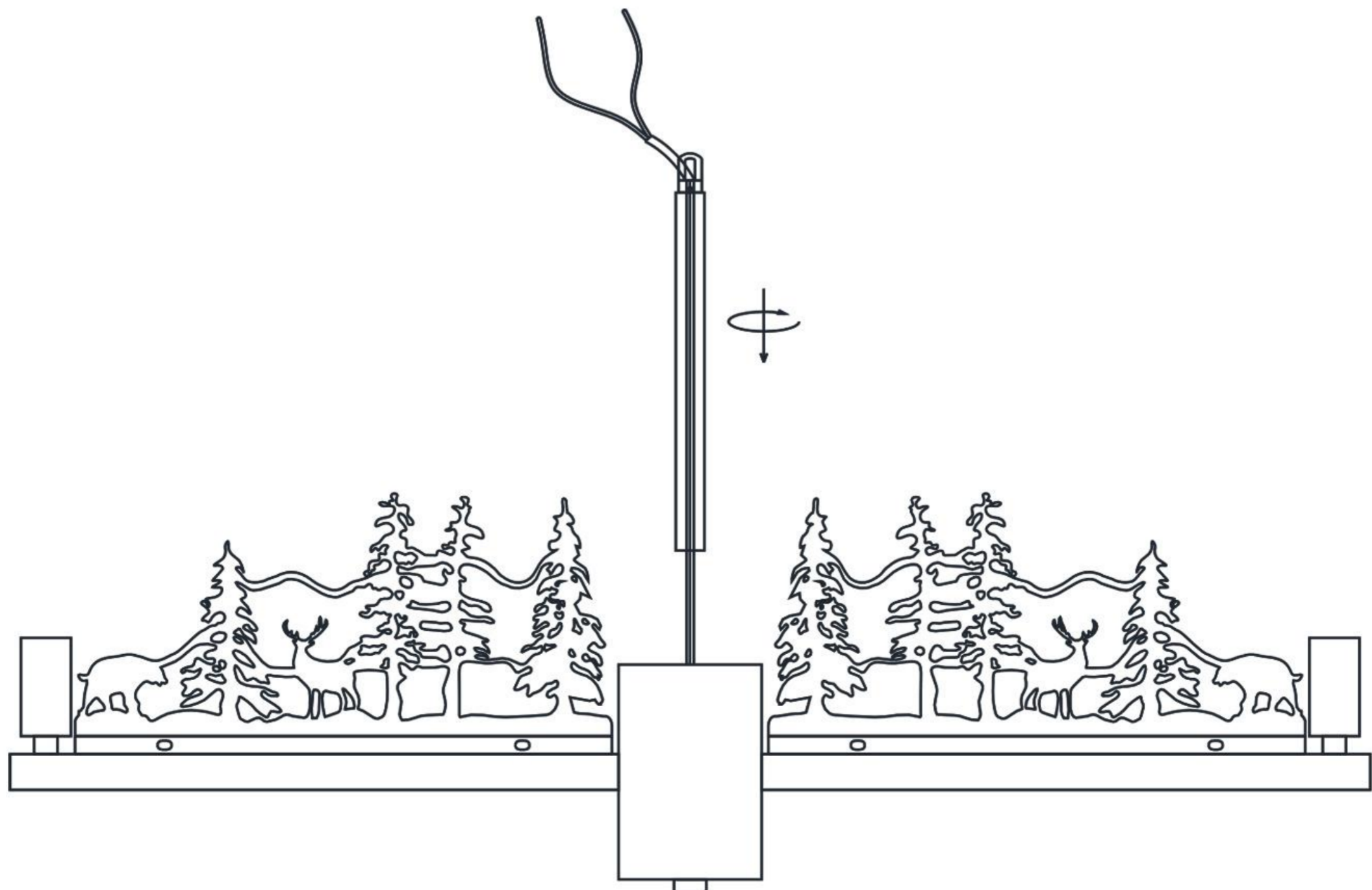
5

Secure the Forest Deer Iron Panels to the socket rods using screws. A total of 8 panels need to be installed



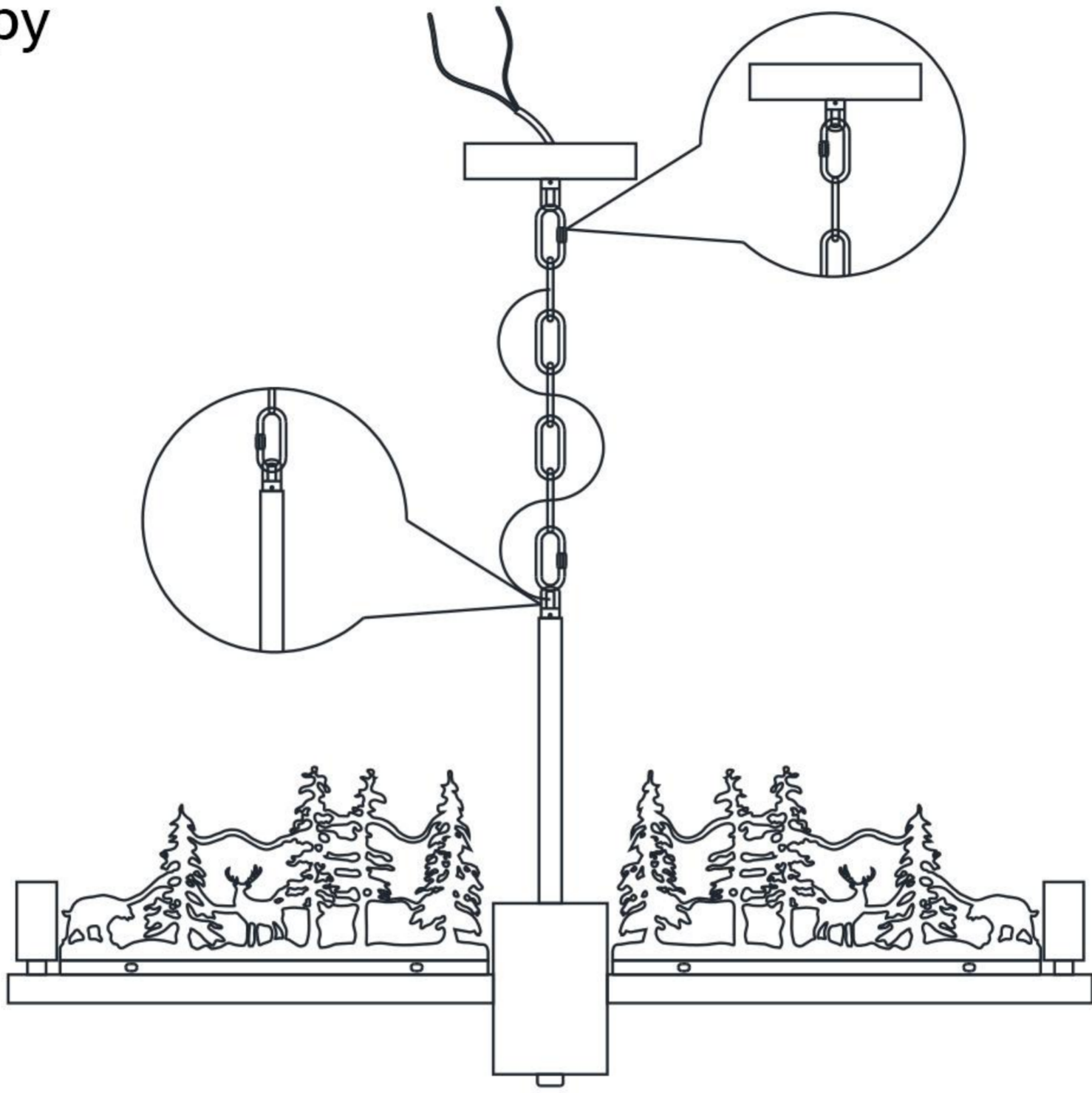
6

Pass the fixture body's wire through the threaded pipe (make sure the end with the round loop is facing the ceiling canopy), then screw the threaded pipe into the fixture body

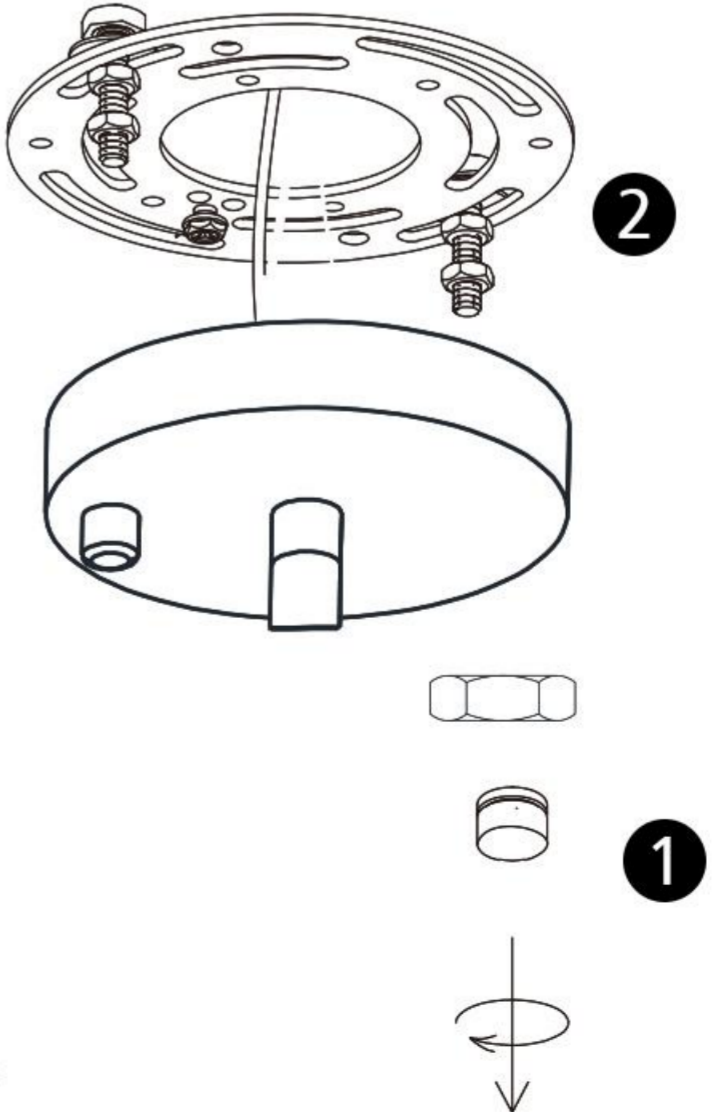


INSTALLATION

- 7** 1. Attach one end of the fixture chain to the loop on the threaded pipe using the quick link
- 2. Attach the other end of the fixture chain to the loop on the ceiling canopy using the quick link
- 3. Pass the wire through the fixture chain and into the ceiling canopy

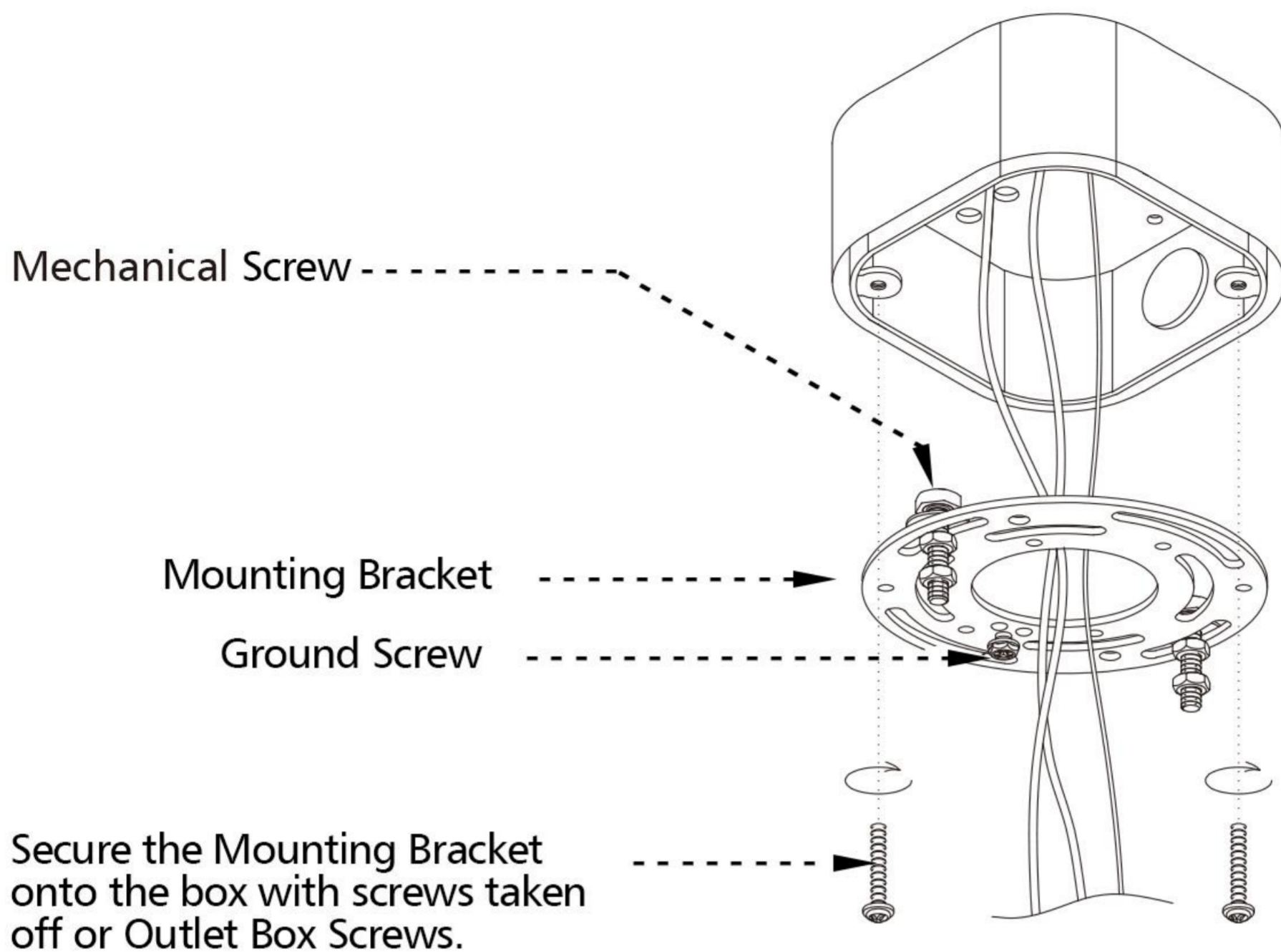


- 8** 1. Unscrew the nuts **1** on both sides of the ceiling canopy.
- 2. Take out the hanging bracket **2**.

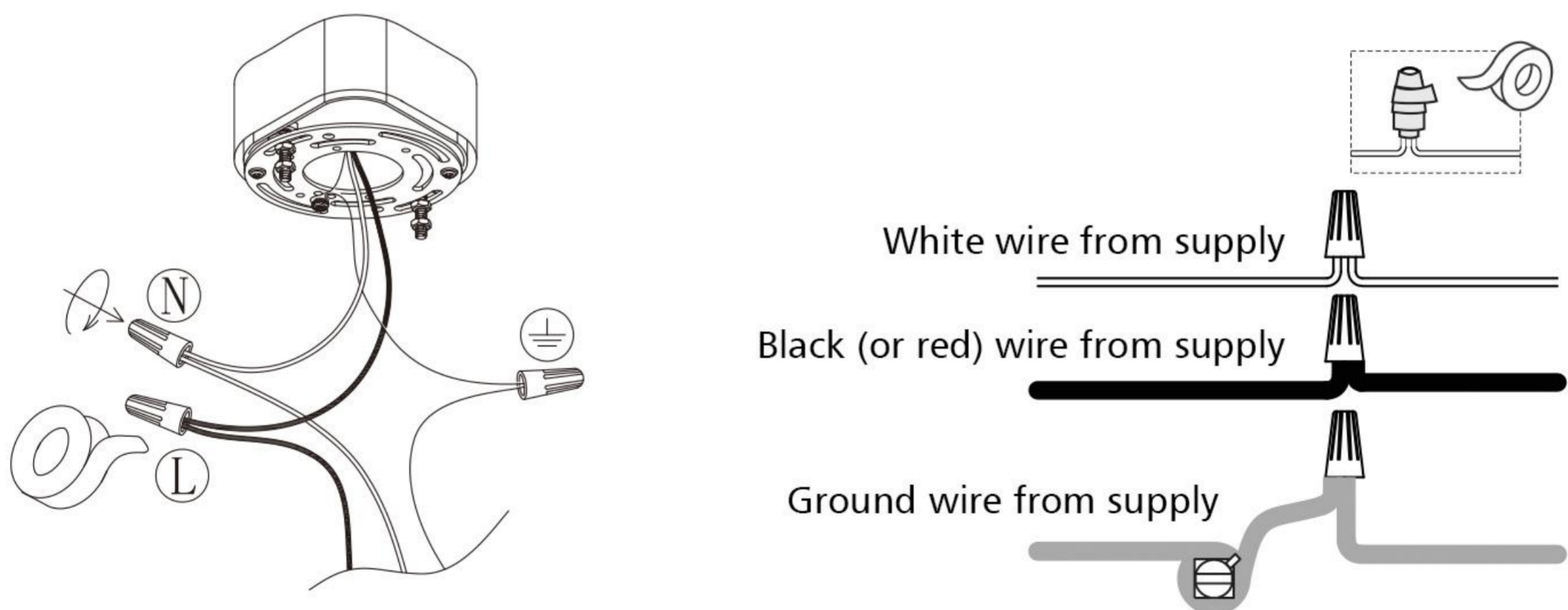


INSTALLATION

9 Install the Mounting Bracket



10 Wiring

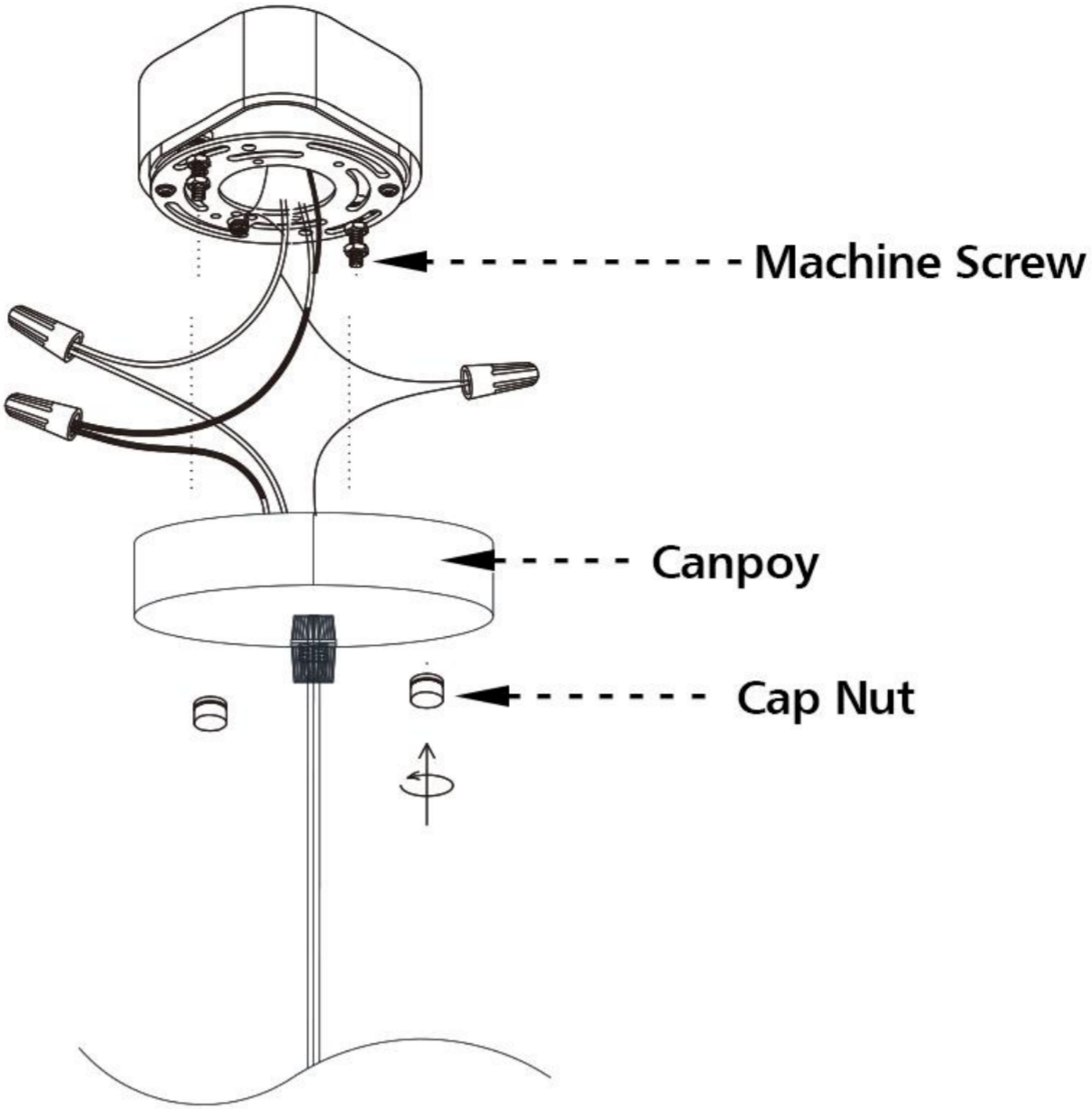


Step 1: Connect the wires from the fixture to the house supply wires nuts, ground wire (green, green/yellow, or bare) to ground wire, neutral wire(white)to neutral wire, and hot wire (black) to hot wire. Wrap the connection with electrical tape.

Step 2: Spread apart the wires so that the hot wires are on one side of the outlet box and the neutral wires are on the other side.

INSTALLATION

11 Fix the canopy onto the Mounting Bracket with Cap Nut



12 Install the E12 bulbs

